

US00D970564S

(12) **United States Design Patent** (10) **Patent No.:** **US D970,564 S**
Collins et al. (45) **Date of Patent:** **** Nov. 22, 2022**

(54) **BODY PANEL FOR AN AGRICULTURAL VEHICLE**

D432,143 S 10/2000 Olson et al.
D438,217 S 2/2001 Olson et al.
D438,218 S 2/2001 McIlwraith
D526,336 S 8/2006 Maas et al.

(71) Applicant: **MCHALE ENGINEERING,**
Ballinrobe (IE)

(Continued)

(72) Inventors: **Donal Patrick Collins,** Dunmore (IE);
Paul McHale, Woodquay (IE)

FOREIGN PATENT DOCUMENTS

(73) Assignee: **McHale Engineering,** Ballinrobe (IE)

EM 001170450-0001 A1 10/2009

(**) Term: **15 Years**

Primary Examiner — Mark A Goodwin

(21) Appl. No.: **29/838,800**

(74) *Attorney, Agent, or Firm* — Sughrue Mion, PLLC

(22) Filed: **May 16, 2022**

(57) **CLAIM**

The ornamental design for a body panel for an agricultural vehicle, as shown and described.

Related U.S. Application Data

DESCRIPTION

(62) Division of application No. 29/757,113, filed on Nov. 3, 2020, now Pat. No. Des. 956,111.

FIG. 1 is a front side perspective view of a body panel for an agriculture vehicle showing our new design; FIG. 2 is a perspective view from the rear and the same side to that of FIG. 1 of the body panel of FIG. 1; FIG. 3 is a side elevational view of the body panel of FIG. 1; FIG. 4 is a front end elevational view of the body panel of FIG. 1; FIG. 5 is a rear end elevational view of the body panel of FIG. 1; FIG. 6 is a top plan view of the body panel of FIG. 1; and, FIG. 7 is an underneath plan view of the body panel of FIG. 1.

(30) **Foreign Application Priority Data**

Nov. 2, 2020 (EM) 008234256

(51) **LOC (13) Cl.** **15-03**

(52) **U.S. Cl.**
USPC **D15/33; D15/28**

(58) **Field of Classification Search**
USPC D15/10-12, 22-26, 28, 33; 56/14.5-14.7, 56/16.6, 122-125
CPC A01B 73/00; A01D 75/00; A01D 41/06; A01D 41/1208; A01D 41/00; A01D 67/00; A01D 45/00; A01D 45/02; A01D 45/021; A01D 43/081

See application file for complete search history.

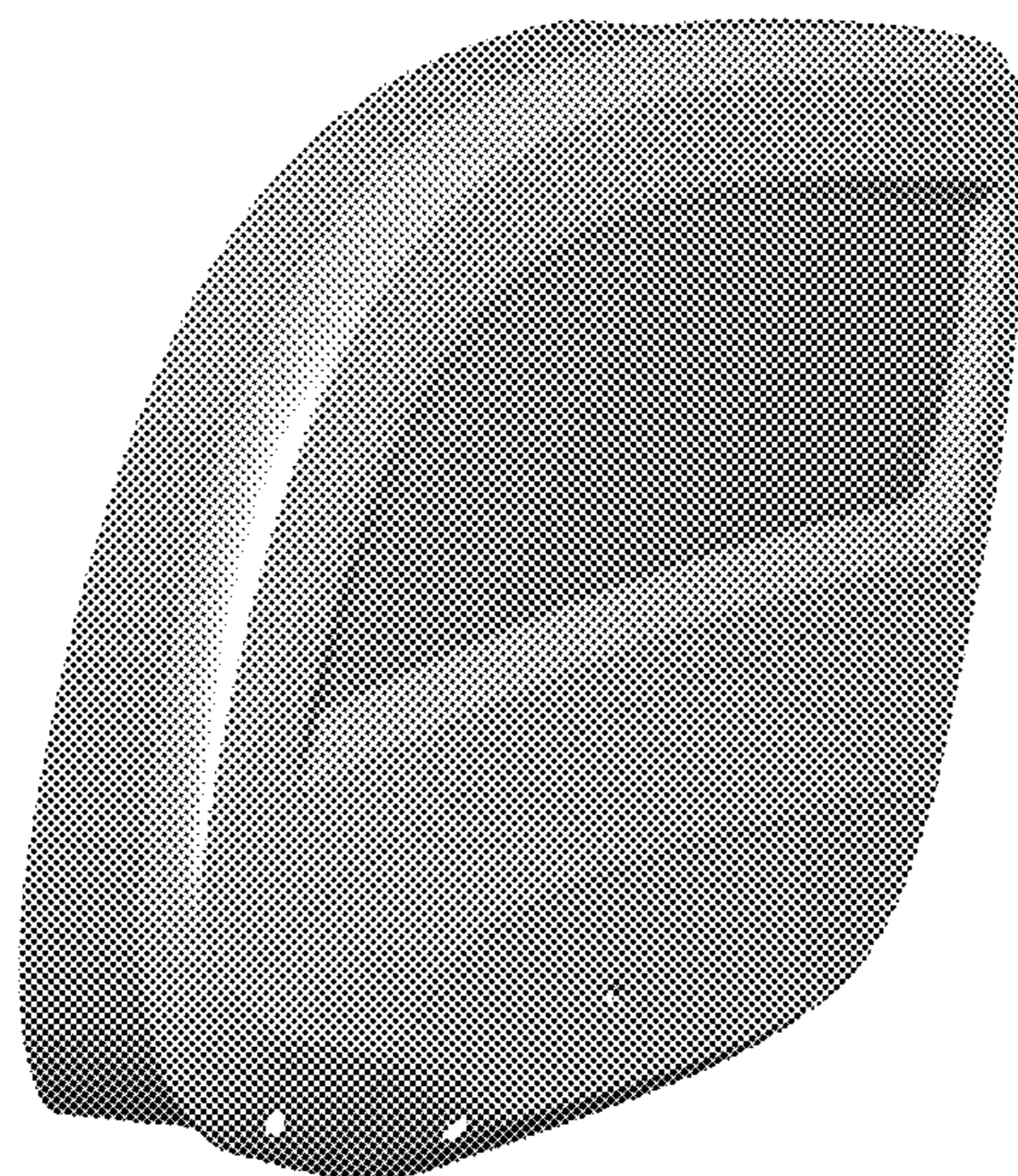
The design relates to a body panel for an agricultural vehicle, for example, a baler for bailing material, such as agricultural crop material. The body panel comprises a major side panel with narrow front, rear, top and bottom panels extending from the major side panel. The major side panel is slightly curved outwardly when viewed from the front and from the top, and includes an inwardly recessed panel extending over the upward portion of the major side panel.

(56) **References Cited**

U.S. PATENT DOCUMENTS

D200,423 S 2/1965 Kermes
D207,855 S 6/1967 Kermes
D432,142 S 10/2000 Olson et al.

1 Claim, 7 Drawing Sheets



(56)

References Cited

U.S. PATENT DOCUMENTS

D527,393 S	8/2006	Maas et al.	
D608,374 S	1/2010	De Rycke et al.	
D643,052 S	8/2011	Hagele et al.	
D648,357 S	11/2011	Hagele et al.	
D736,271 S *	8/2015	Jacobsthal	D15/33
D746,342 S	12/2015	Jacobsthal et al.	
D769,334 S	10/2016	Ewringmann	
D773,535 S	12/2016	Ewringmann	
D855,665 S *	8/2019	Futagami	B60H 1/00378 D15/33
D922,450 S	6/2021	Rajopadhye et al.	
D922,453 S	6/2021	Rajopadhye et al.	
D929,469 S	8/2021	Rajopadhye et al.	
D930,049 S	9/2021	Ishii et al.	
D931,345 S	9/2021	Rajopadhye et al.	
2006/0230950 A1	10/2006	Freihart	

* cited by examiner

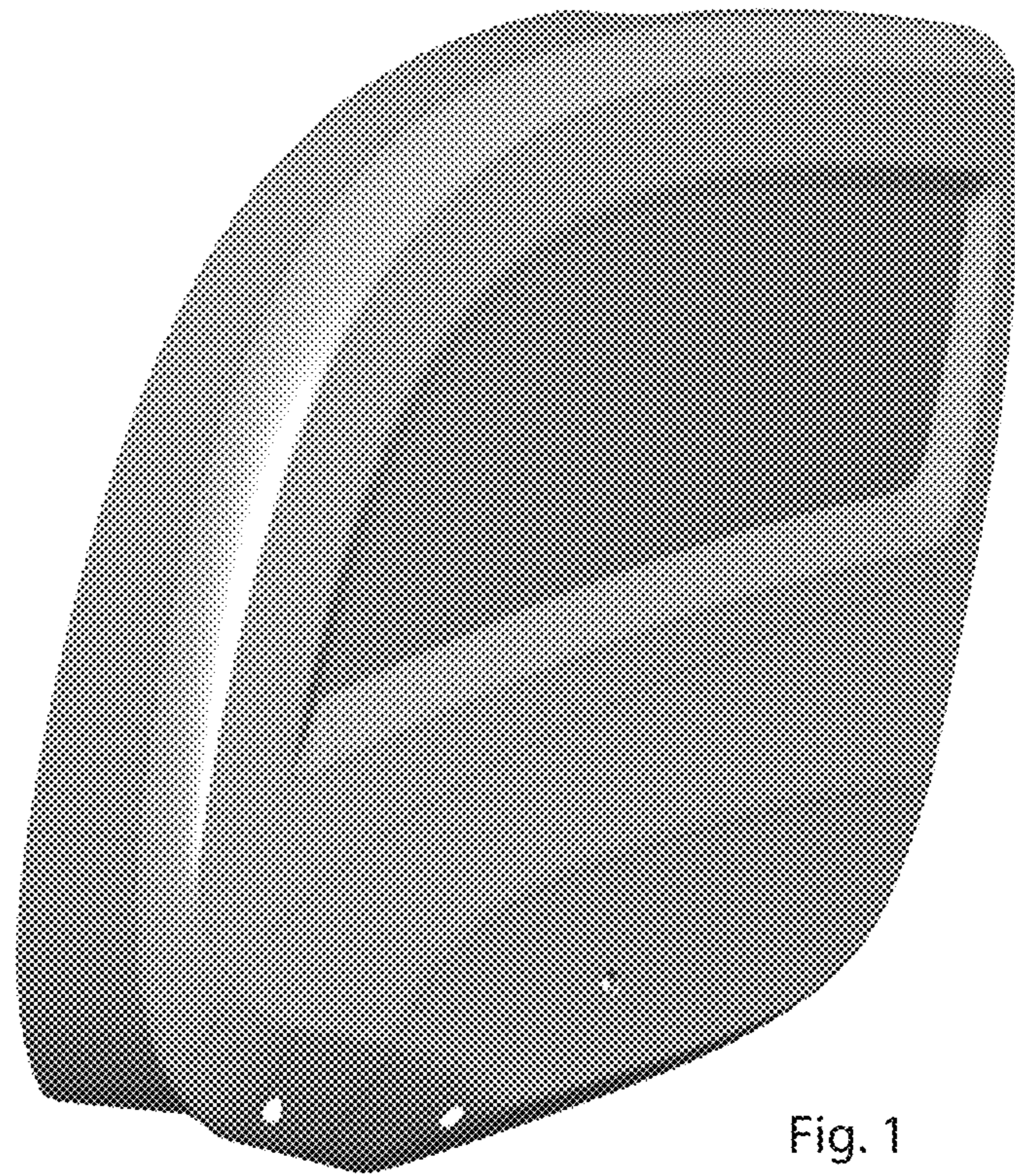


Fig. 1



Fig. 2



Fig. 3

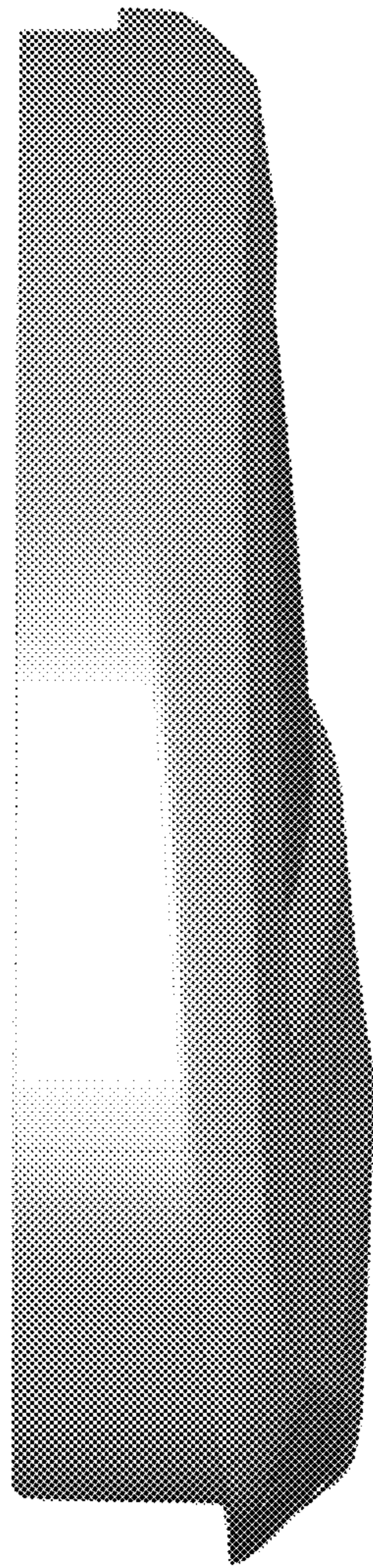


Fig. 4

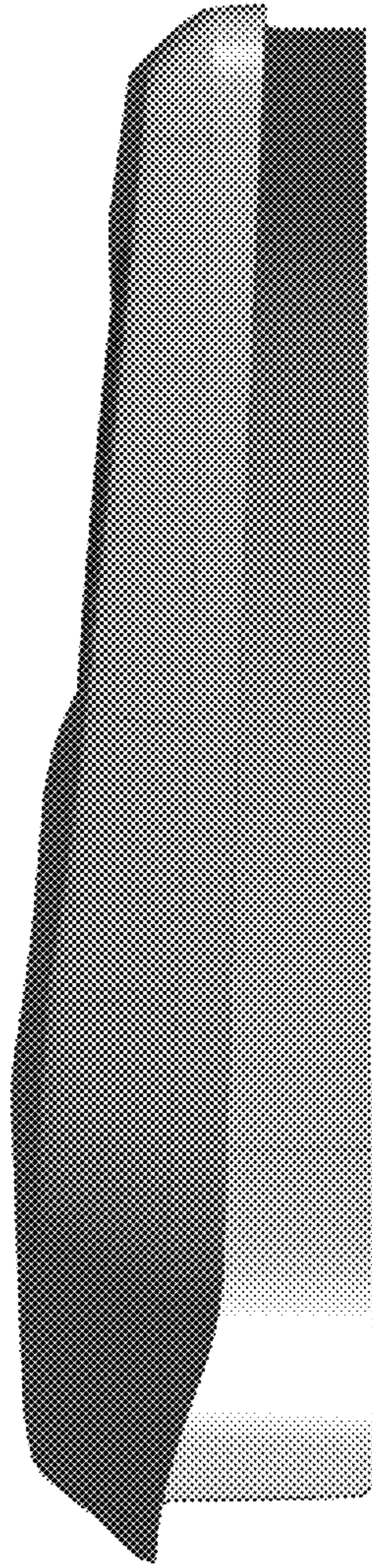


Fig. 5

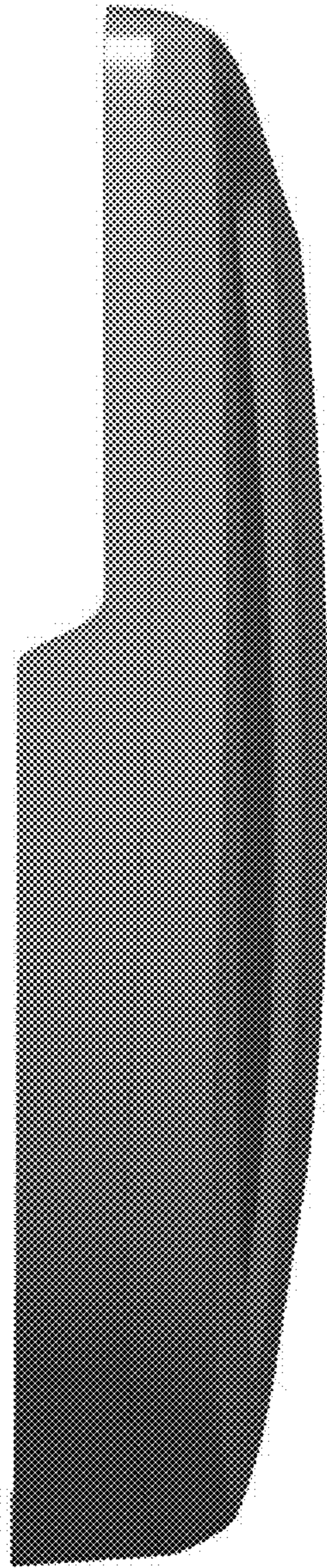


Fig. 6

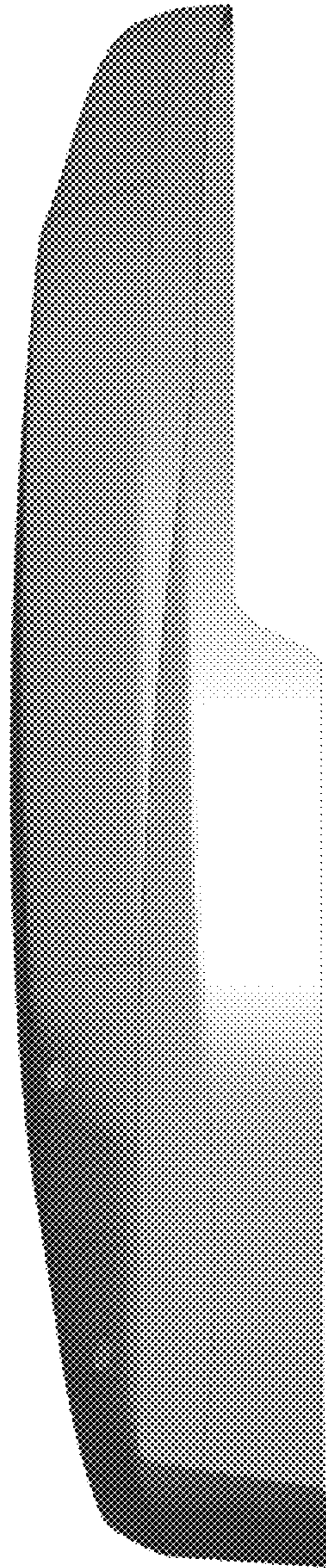


Fig. 7