



US00D970563S

(12) **United States Design Patent**
Knifke

(10) **Patent No.:** **US D970,563 S**

(45) **Date of Patent:** **** Nov. 22, 2022**

- (54) **SEEDER**
- (71) Applicant: **HORSCH Maschinen GmbH,**
Schwandorf (DE)
- (72) Inventor: **Christian Knifke,** Schwandorf (DE)
- (73) Assignee: **HORSCH Maschinen GmbH,**
Schwandorf (DE)
- (**) Term: **15 Years**
- (21) Appl. No.: **29/784,477**
- (22) Filed: **May 19, 2021**
- (51) **LOC (13) Cl.** **15-03**
- (52) **U.S. Cl.**
USPC **D15/27**
- (58) **Field of Classification Search**
USPC D15/10, 12, 27, 28
CPC A01B 73/065; A01B 73/005; A01B 73/00;
A01B 73/02; A01B 73/04; A01B 73/06;
A01B 49/06; A01B 49/00; A01B 61/044;
A01B 61/048; A01B 5/04; A01B 49/027;
A01B 73/046; A01B 73/048; A01B
63/002; A01B 63/14; A01B 63/32; A01B
63/118; A01C 7/208; A01C 7/18; A01C
7/00; A01C 7/20; A01C 7/06; A01C
5/064; A01C 5/068; A01C 7/203; A01C
7/205; A01C 7/206; Y10S 111/921; Y10S
111/923; Y10S 111/924; Y10S 111/925
See application file for complete search history.

(56) **References Cited**

U.S. PATENT DOCUMENTS

- 5,232,054 A * 8/1993 Van Blaricon A01B 73/065
280/412
- 6,443,079 B1 9/2002 Horsch
- D469,782 S * 2/2003 Paluch D15/10

- 6,935,254 B2 * 8/2005 Ostrander A01C 7/042
111/63
- D559,868 S * 1/2008 Nanlawala D15/27
- D627,373 S * 11/2010 Prickel D15/27
- D629,426 S * 12/2010 Prickel D15/27
- D629,427 S * 12/2010 Prickel D15/27
- D631,068 S * 1/2011 Prickel D15/27
- D680,559 S * 4/2013 Blunier D15/27
- D758,458 S * 6/2016 Anderson D15/27
- D766,333 S * 9/2016 Anderson D15/27
- 9,832,925 B2 12/2017 Leeb
- D813,914 S 3/2018 Horsch
- D813,915 S 3/2018 Horsch
- 10,244,747 B2 4/2019 Leeb et al.
- 10,244,748 B2 4/2019 Leeb
- 10,470,361 B2 11/2019 Leeb et al.

(Continued)

FOREIGN PATENT DOCUMENTS

- EM 007108253-0001 10/2019
- EM 007108253-0002 10/2019

Primary Examiner — Mark A Goodwin

(74) *Attorney, Agent, or Firm* — AVEK IP, LLC; Kent R. Erickson

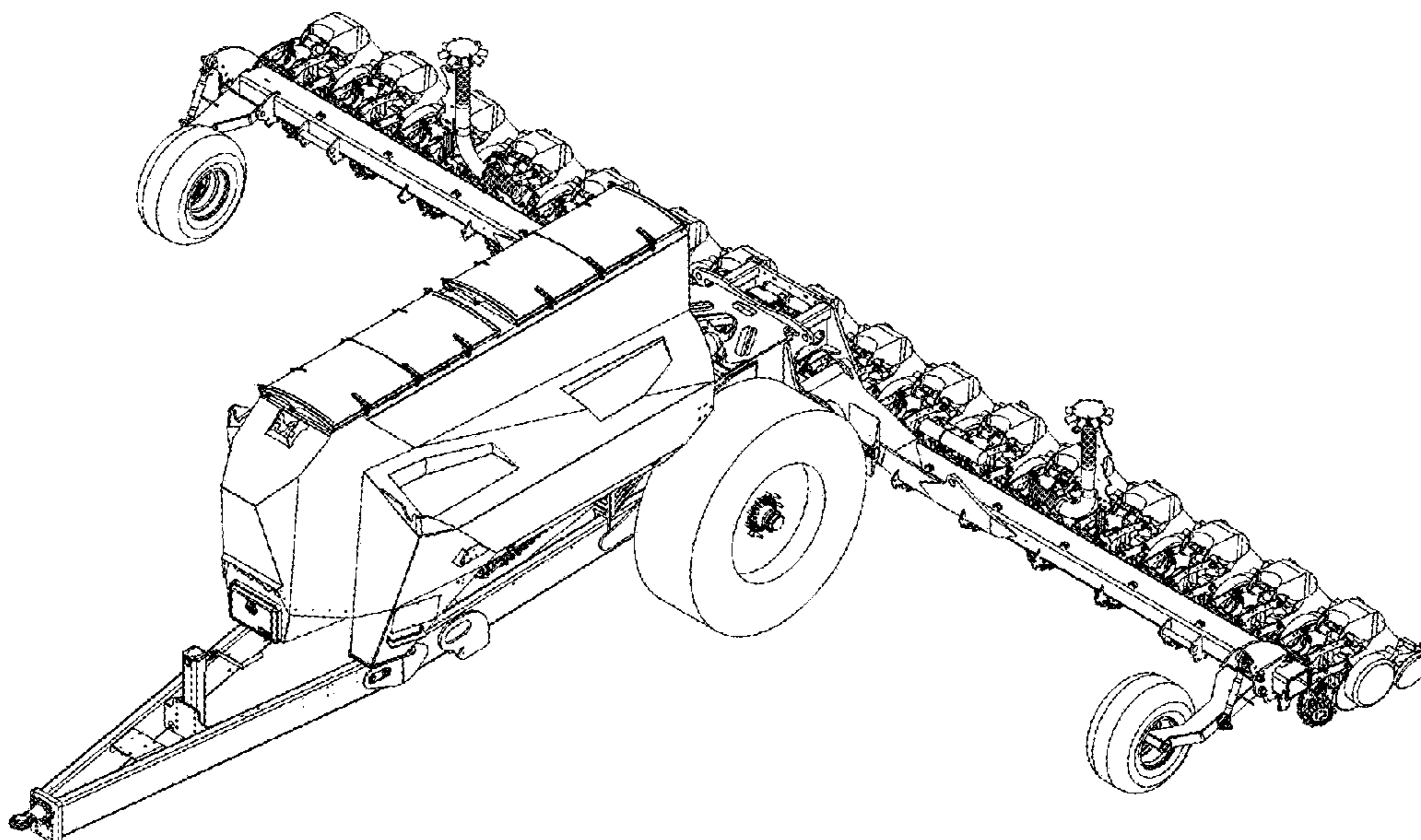
(57) **CLAIM**

The ornamental design for a seeder, as shown and described.

DESCRIPTION

FIG. 1 is a perspective view of a seeder with tool support wings, each in an unfolded position;
 FIG. 2 is a left side elevational view of the seeder as in FIG. 1;
 FIG. 3 is a right side elevational view of the seeder as in FIG. 1;
 FIG. 4 is a front elevational view of the seeder as in FIG. 1;
 FIG. 5 is a rear elevational view of the seeder as in FIG. 1;
 FIG. 6 is a top plan view of the seeder as in FIG. 1; and
 FIG. 7 is a bottom plan view of the seeder as in FIG. 1.

1 Claim, 7 Drawing Sheets



(56)

References Cited

U.S. PATENT DOCUMENTS

D884,750	S *	5/2020	Leeb	D15/27
D892,175	S	8/2020	Leeb		
D958,196	S *	7/2022	Mariman	D15/27
2003/0164126	A1 *	9/2003	Paluch	A01C 7/208 172/311
2003/0164127	A1 *	9/2003	Paluch	A01B 61/044 111/200
2009/0178600	A1 *	7/2009	Horn	A01C 15/006 29/700
2009/0199750	A1 *	8/2009	Rice	A01C 19/04 111/52
2009/0229501	A1 *	9/2009	Jaime	A01B 73/065 111/55
2010/0126742	A1 *	5/2010	Poole	A01B 73/065 172/311

* cited by examiner

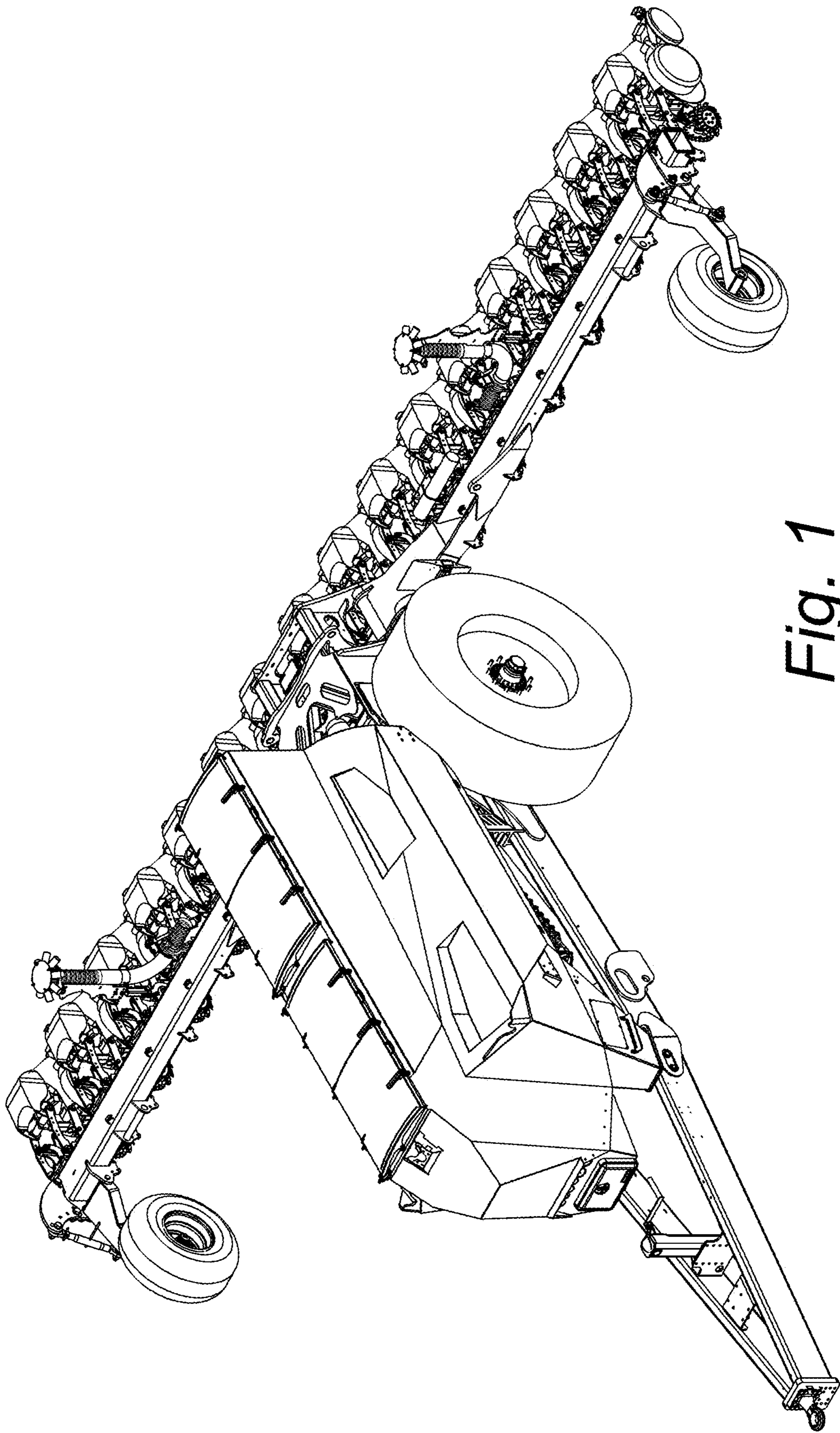


Fig. 1

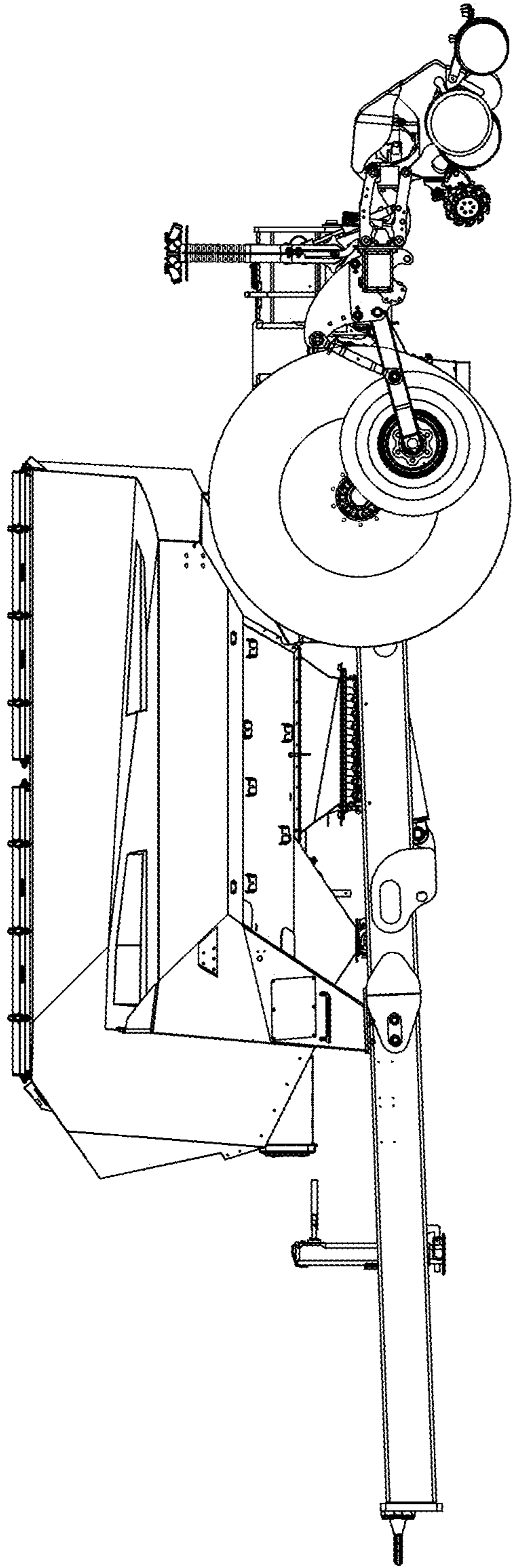


Fig. 2

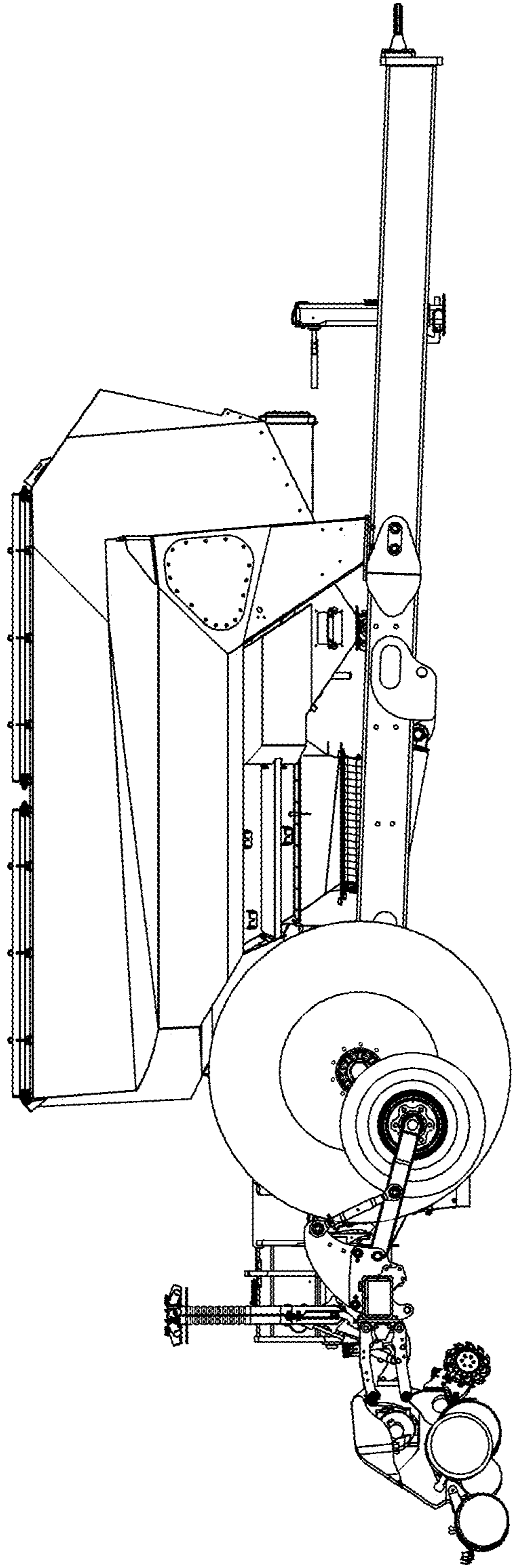


Fig. 3

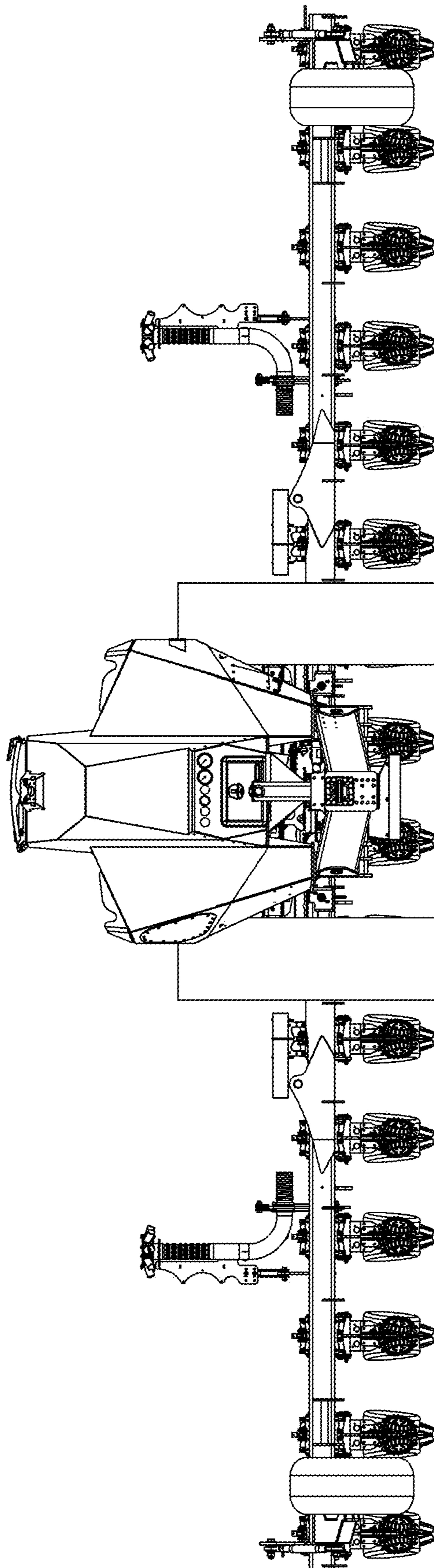


Fig. 4

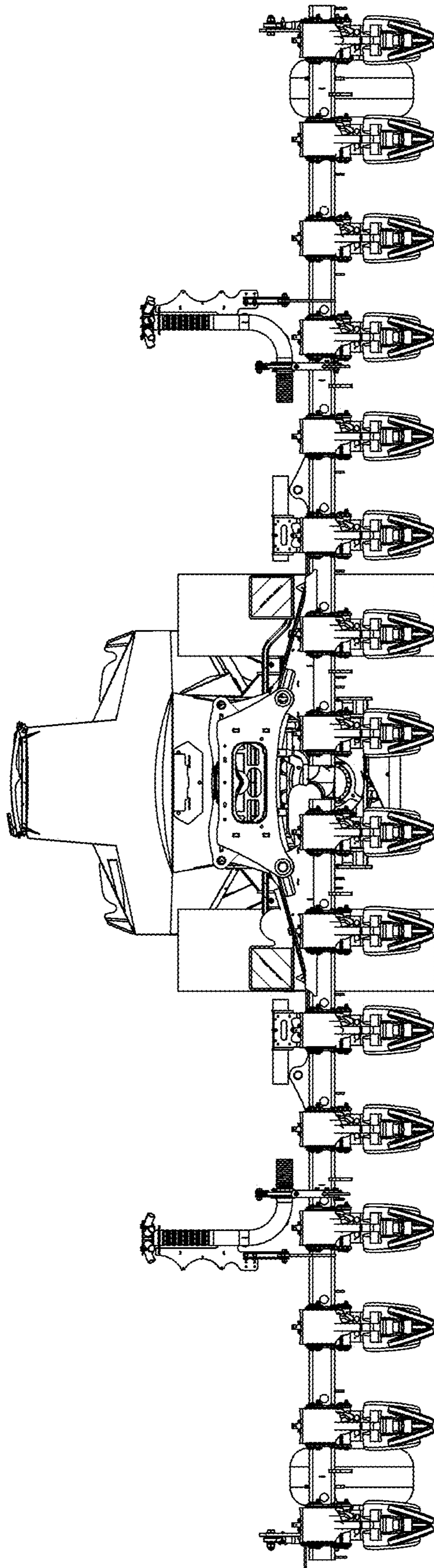


Fig. 5

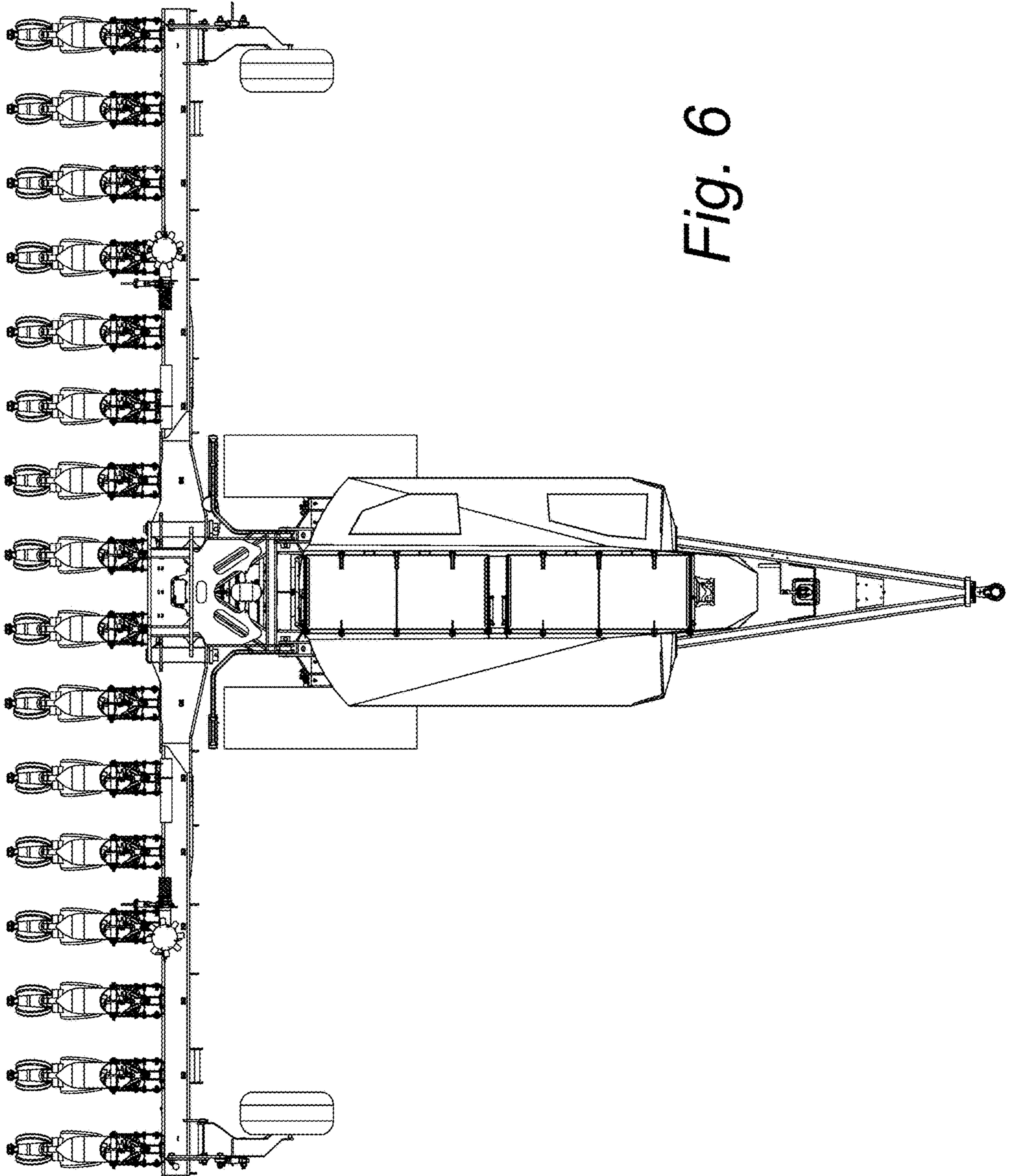
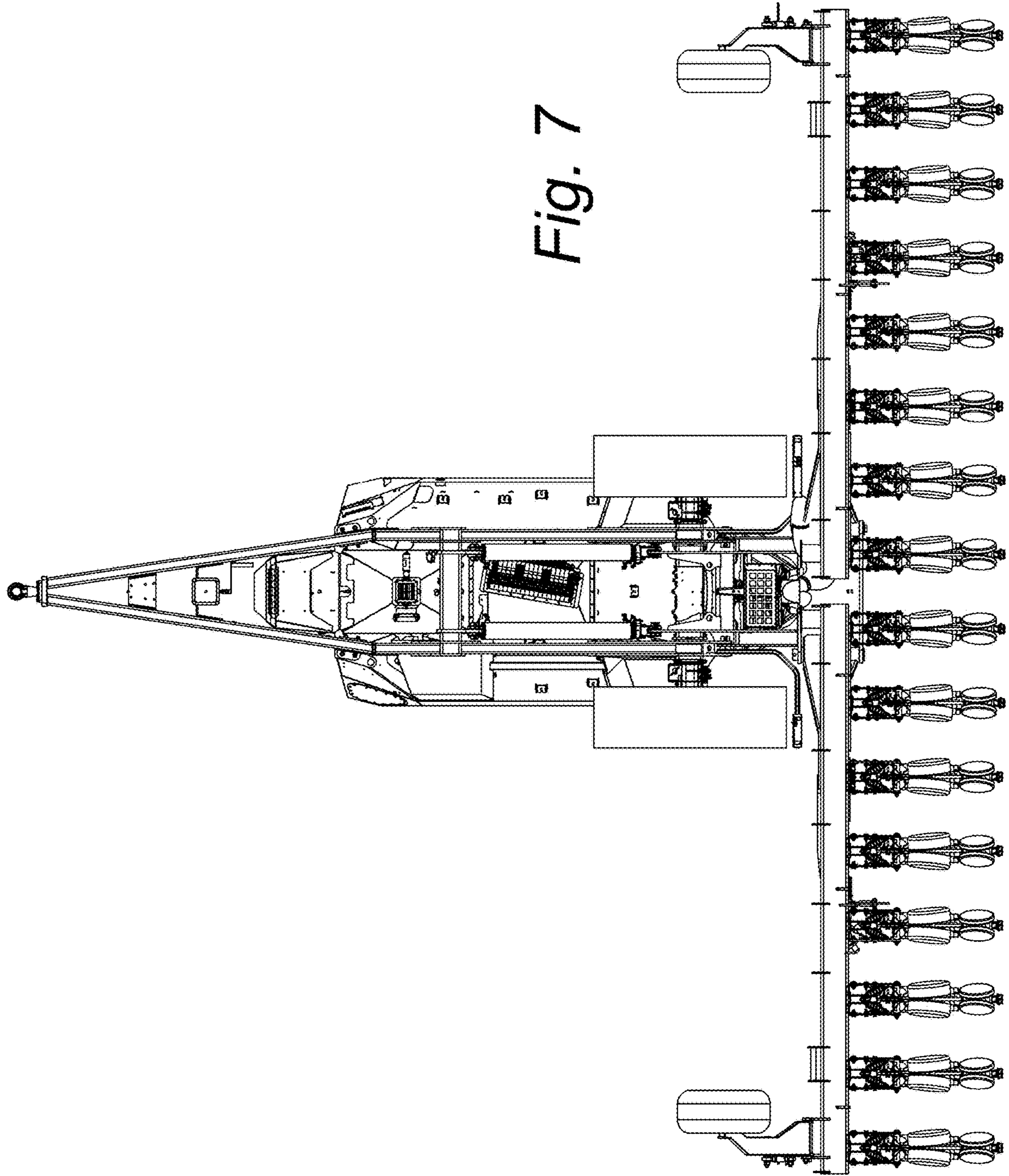


Fig. 6



UNITED STATES PATENT AND TRADEMARK OFFICE
CERTIFICATE OF CORRECTION

PATENT NO. : D970,563 S
APPLICATION NO. : 29/784477
DATED : November 22, 2022
INVENTOR(S) : Christian Knife

Page 1 of 1

It is certified that error appears in the above-identified patent and that said Letters Patent is hereby corrected as shown below:

On the Title Page

Item (22) Filed: May 19, 2021, please insert:

--(30) Foreign Application Priority Data

Nov. 23, 2020 (EM)..... 008282297-0001--.

Signed and Sealed this
Twenty-fifth Day of July, 2023
Katherine Kelly Vidal

Katherine Kelly Vidal
Director of the United States Patent and Trademark Office