

US00D970562S

(12) **United States Design Patent**
Gallagher

(10) **Patent No.:** **US D970,562 S**

(45) **Date of Patent:** **** Nov. 22, 2022**

- (54) **BENCH DRILLING MACHINE**
- (71) Applicant: **Scheppach GmbH**, Ichenhausen (DE)
- (72) Inventor: **Philip Gallagher**, Ichenhausen (DE)
- (**) Term: **15 Years**
- (21) Appl. No.: **35/511,422**
- (22) Filed: **Jan. 22, 2021**
- (80) **Hague Agreement Data**
 Int. Filing Date: **Jan. 22, 2021**
 Int. Reg. No.: **DM/212592**
 Int. Reg. Date: **Jan. 22, 2021**
 Int. Reg. Pub. Date: **Feb. 19, 2021**

D297,331	S	*	8/1988	Blum	D15/199
D302,821	S	*	8/1989	Blum	D15/199
5,765,273	A	*	6/1998	Mora	B23Q 1/5412 108/4
5,960,531	A	*	10/1999	Mora	B23Q 3/069 108/4
5,980,167	A	*	11/1999	Chen	B23Q 3/02 408/91
D493,182	S	*	7/2004	Hosking	D15/132
D497,622	S	*	10/2004	Theising	D15/134
D541,318	S	*	4/2007	Etter	D15/132
D541,319	S	*	4/2007	Etter	D15/132
D560,696	S	*	1/2008	Leasure	D15/132
8,568,066	B2	*	10/2013	Beichter	B25H 1/0071 408/9
D723,075	S	*	2/2015	Weber	D15/132
D926,238	S	*	7/2021	Thompson	D15/132
2006/0104731	A1	*	5/2006	Etter	B23Q 17/24 408/16

(Continued)

- (51) **LOC (13) Cl.** **15-09**
- (52) **U.S. Cl.**
USPC **D15/21**
CPC **B23B 35/00** (2013.01)
- (58) **Field of Classification Search**
USPC D15/122, 123, 132, 135, 136; 425/34.1,
425/128, 395, 422; 65/26, 70, 158
CPC B30B 15/02; B30B 15/022; B30B 15/064;
B30B 15/06; B30B 11/26; B30B 11/227;
B30B 9/3089; B30B 9/10; B21D 37/20;
B21D 37/10; B21D 22/02; B29C 43/36;
B29D 11/00009; A61K 8/365; A61K
8/347; A61K 8/676; A61K 8/19; A61K
8/022; A61K 8/498; A61K 8/922; A61K
8/20; A61Q 19/10
See application file for complete search history.

(56) **References Cited**
U.S. PATENT DOCUMENTS

D195,735	S	*	7/1963	Snyder	D15/132
3,314,312	A	*	4/1967	Niehaus, Jr.	B23Q 5/32 474/46
D231,945	S	*	6/1974	Stawowy	D15/132
D273,496	S	*	4/1984	House, II	D15/132
D285,797	S	*	9/1986	Arehart	D15/132

OTHER PUBLICATIONS

Scheppach DP50 Digital Bench Drill / Pillar Drill / Drill Press
Review YouTube.com (Year: 2020).*

Primary Examiner — Richard E Chilcot

(57) **CLAIM**

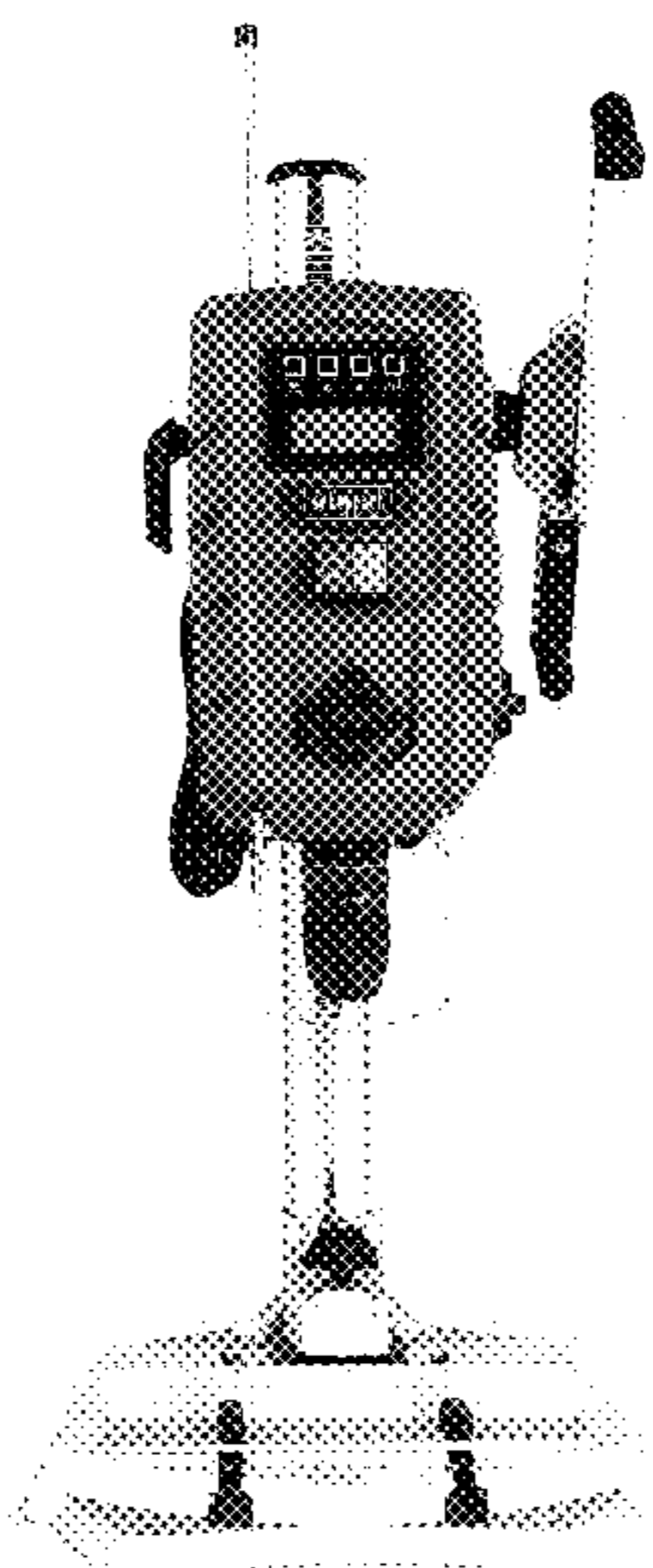
The ornamental design for a bench drilling machine, as shown and described.

DESCRIPTION

The patent or application file contains at least one drawing executed in color. Copies of this patent or patent application publication with color drawing(s) will be provided by the Office upon request and payment of the necessary fee.

- 2. Bench drilling machine
- 2.1: Front
- 2.2 : Right
- 2.3 : Left
- 2.4 : Perspective

1 Claim, 4 Drawing Sheets
(4 of 4 Drawing Sheet(s) Filed in Color)



(56)

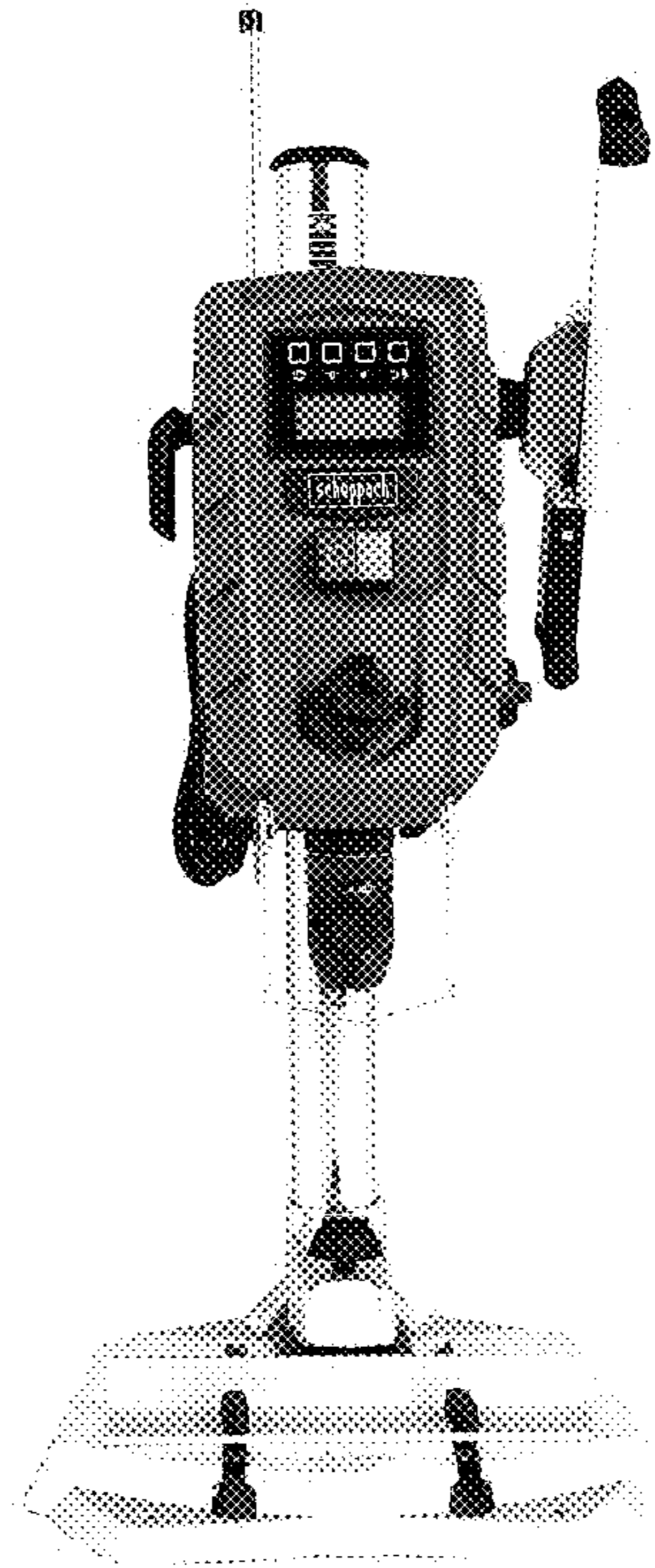
References Cited

U.S. PATENT DOCUMENTS

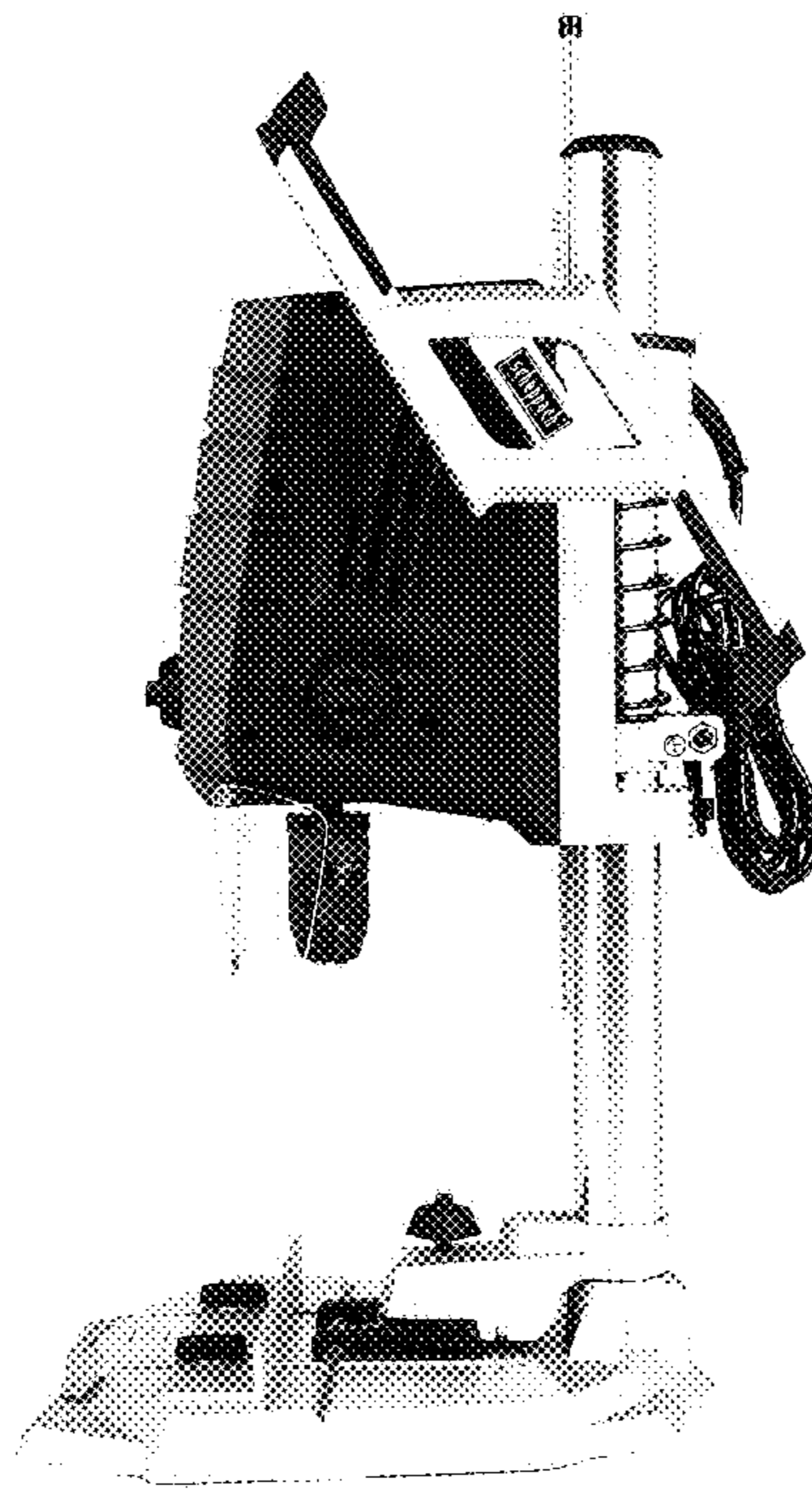
2007/0166115 A1* 7/2007 Pemberton B23B 49/00
408/89
2013/0039710 A1* 2/2013 van Valkenburg B23B 35/00
408/1 BD

* cited by examiner

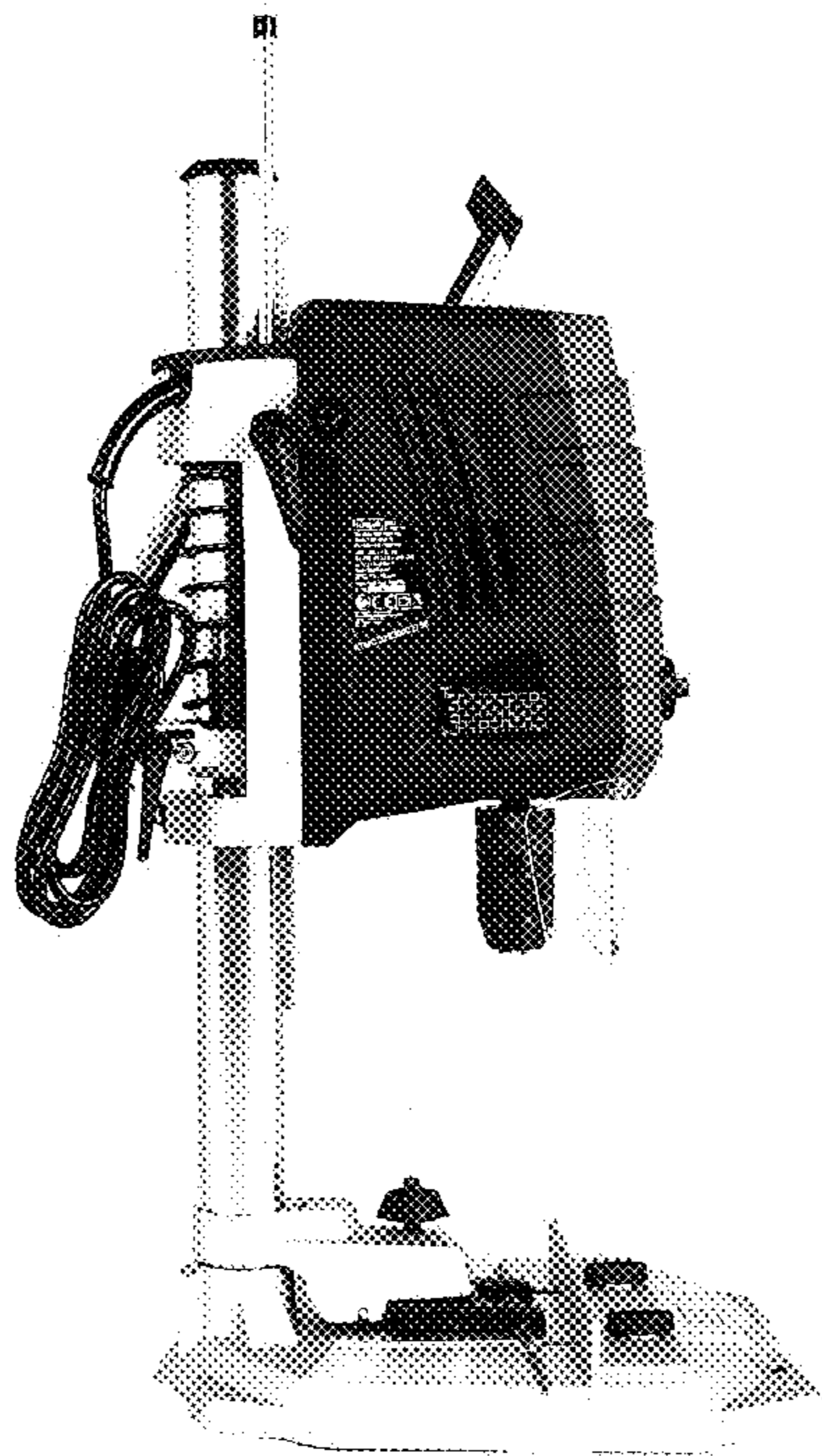
2.1



2.2



2.3



2.4

