



US00D970561S

(12) **United States Design Patent**
Cestonaro et al.

(10) **Patent No.:** **US D970,561 S**

(45) **Date of Patent:** **** Nov. 22, 2022**

- (54) **ROBOTIC LAWN MOWER**
- (71) Applicant: **Positec Power Tools (Suzhou) Co., Ltd.**, Suzhou (CN)
- (72) Inventors: **Andrea Cestonaro**, Suzhou (CN);
Fanqing Ding, Suzhou (CN)
- (73) Assignee: **POSITEC POWER TOOLS (SUZHOU) CO., LTD.**, Suzhou (CN)
- (**) Term: **15 Years**
- (21) Appl. No.: **29/796,541**
- (22) Filed: **Jun. 24, 2021**
- (30) **Foreign Application Priority Data**

D679,295 S *	4/2013	Tajik	D15/17
D681,065 S *	4/2013	Maeda	D15/17
D688,276 S *	8/2013	Naslund	D15/17
D718,339 S *	11/2014	Damshak	D15/17
D718,340 S *	11/2014	Damshak	D15/14
D718,341 S *	11/2014	Gur	D15/17
D718,793 S *	12/2014	Gur	D15/14
D745,897 S *	12/2015	Mehra	D15/17
D758,455 S *	6/2016	Maibach	D15/17
D760,806 S *	7/2016	Cmich	D15/17
D776,169 S *	1/2017	Cmich	D15/17
D781,926 S *	3/2017	Al-Hashimi	D15/14
D796,555 S *	9/2017	Landberg	D15/17
D852,232 S *	6/2019	Eidson	D15/17
D880,532 S *	4/2020	Gunnarsson	D15/17
D881,252 S *	4/2020	Vestberg	D15/199
D889,517 S *	7/2020	Prybor	D15/17
D890,219 S *	7/2020	Tat	D15/17
D928,202 S *	8/2021	Li	D15/17

(Continued)

Dec. 24, 2020 (CN) 202030801248.4

(51) **LOC (13) Cl.** **15-03**

(52) **U.S. Cl.**
USPC **D15/14; D15/17**

(58) **Field of Classification Search**
USPC D15/14, 17, 18; 56/11.9, 17.5, 13.4,
56/12.8, 16.7, 202, 255, 294, 295, 320.1,
56/320.2; 180/900, 89.1, 89.12
CPC A01D 34/008; A01D 34/81; A01D 34/416;
A01D 34/4166; A01D 34/4167; A01D
34/87; A01D 34/90; B60L 1/003; B60L
3/0061; B60L 11/1803; B60L 11/1805;
B60L 11/1877; B60L 15/20; B60L
2260/28; B60L 2200/40; B60L 2220/16;
B60L 2220/46; B60L 2240/36; B60L
2240/421; A01G 3/04; A01G 3/0435
See application file for complete search history.

(56) **References Cited**

U.S. PATENT DOCUMENTS

D678,352 S *	3/2013	Maeda	D15/17
D679,294 S *	4/2013	Tajik	D15/17

Primary Examiner — Mark A Goodwin

(74) *Attorney, Agent, or Firm* — Loza & Loza, LLP;
Michael F. Fedrick

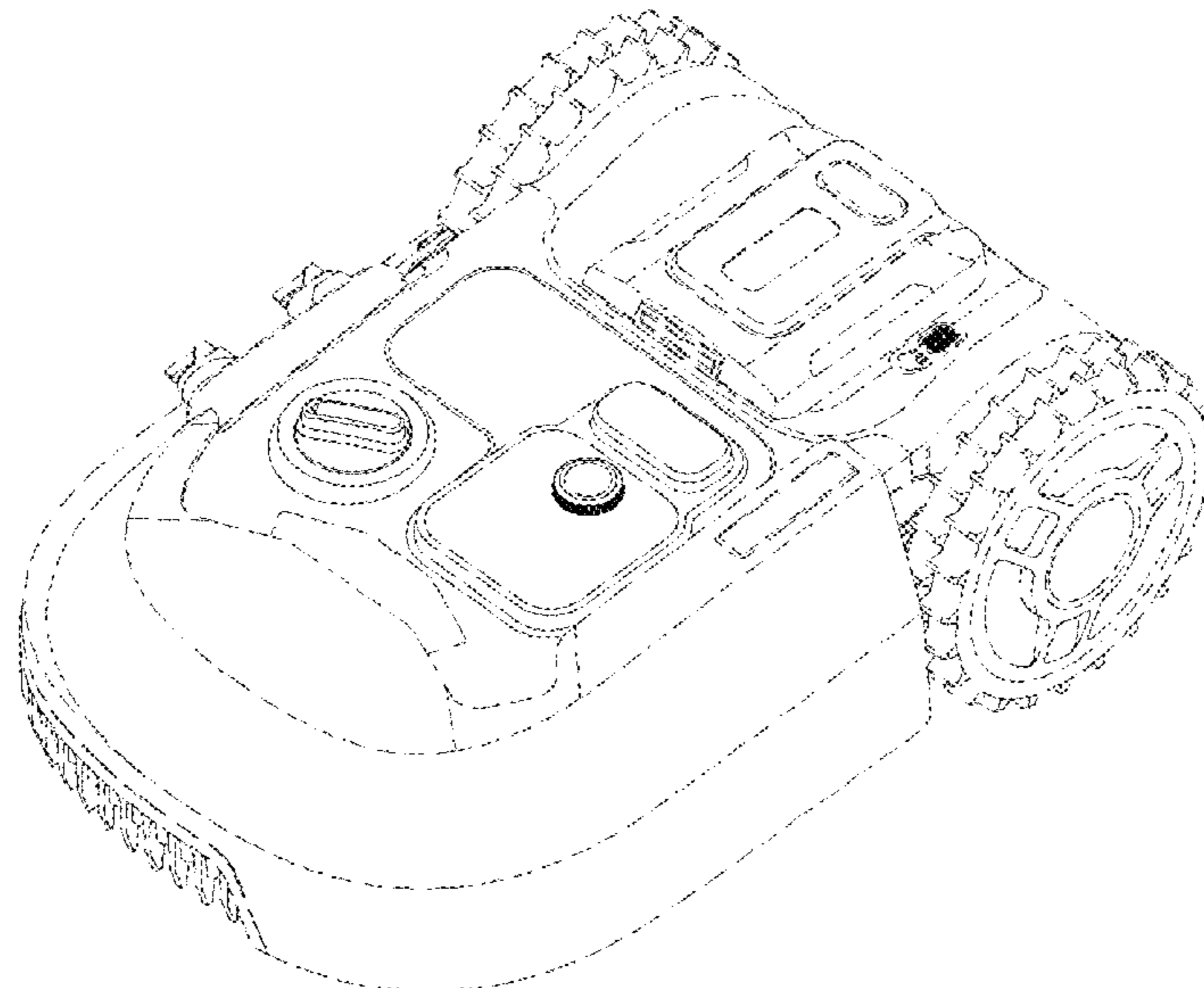
(57) **CLAIM**

The ornamental design for a robotic lawn mower, as shown and described.

DESCRIPTION

FIG. 1 is a perspective view of a robotic lawn mower showing our new design;
FIG. 2 is a left-side view thereof;
FIG. 3 is a right-side view thereof;
FIG. 4 is a front view thereof;
FIG. 5 is a back view thereof;
FIG. 6 is a top view thereof; and,
FIG. 7 is a bottom view thereof.
The broken line showing is included for the purpose of illustrating unclaimed portions of the design for a robotic lawn mower and forms no part of the claimed design.

1 Claim, 7 Drawing Sheets



(56)

References Cited

U.S. PATENT DOCUMENTS

D940,761 S * 1/2022 Mehra D15/17
D946,056 S * 3/2022 Cestonaro D15/17

* cited by examiner

Figure 1

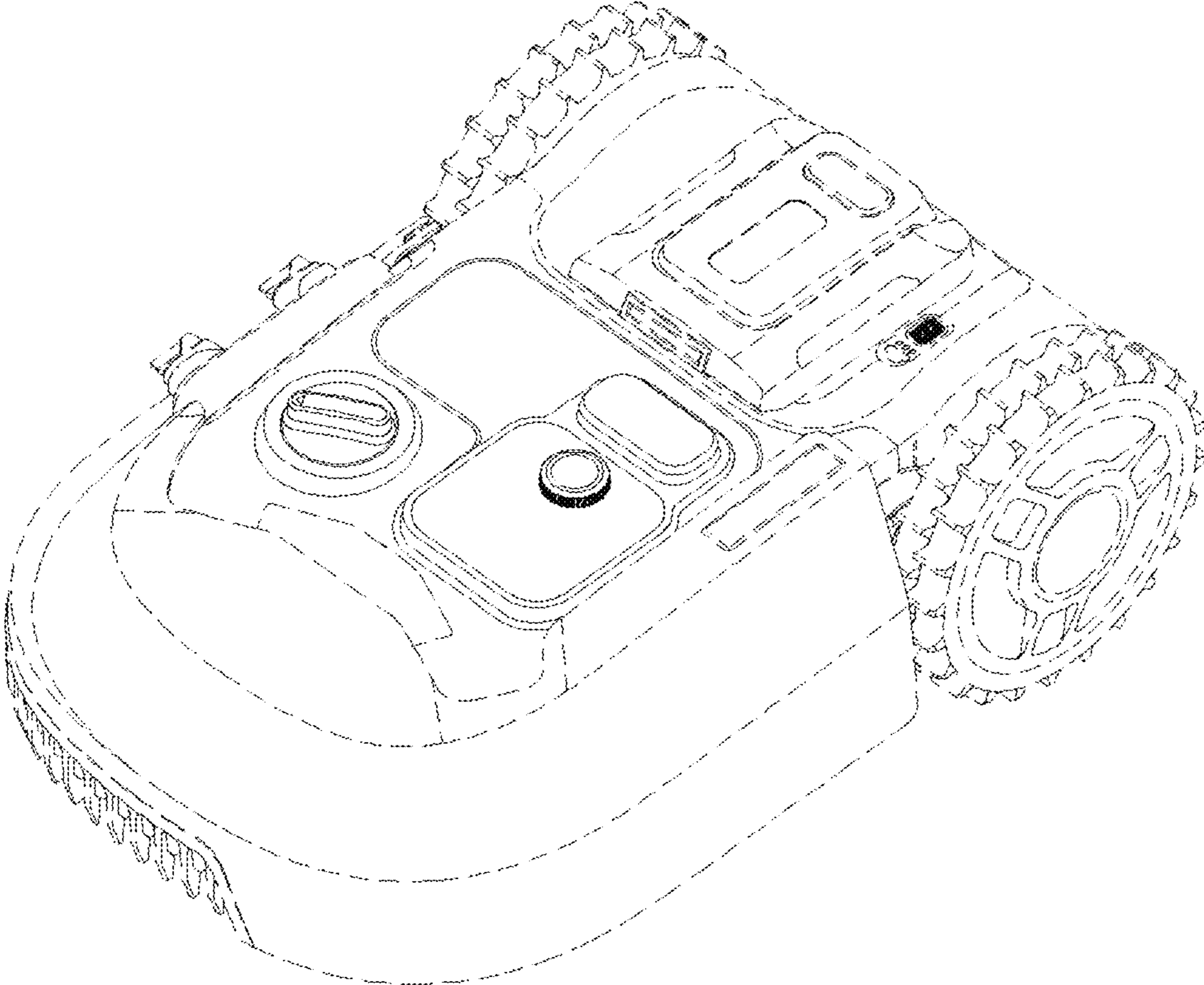


Figure 2

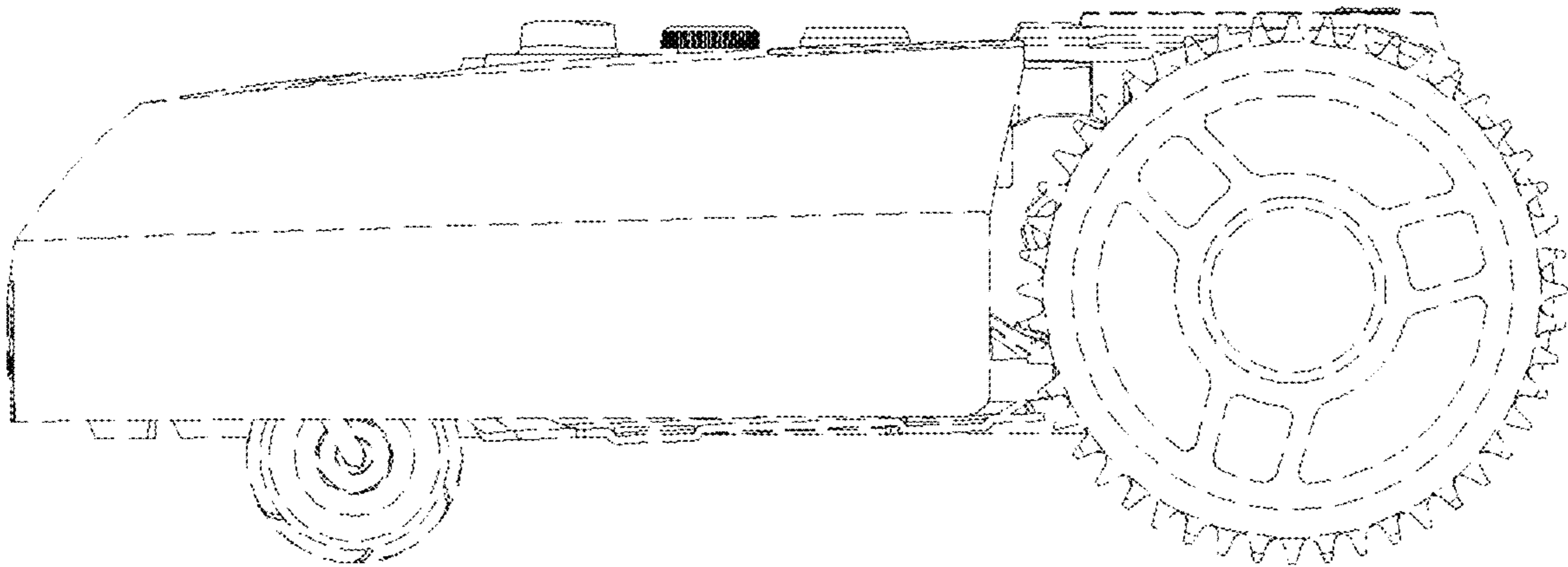


Figure 3

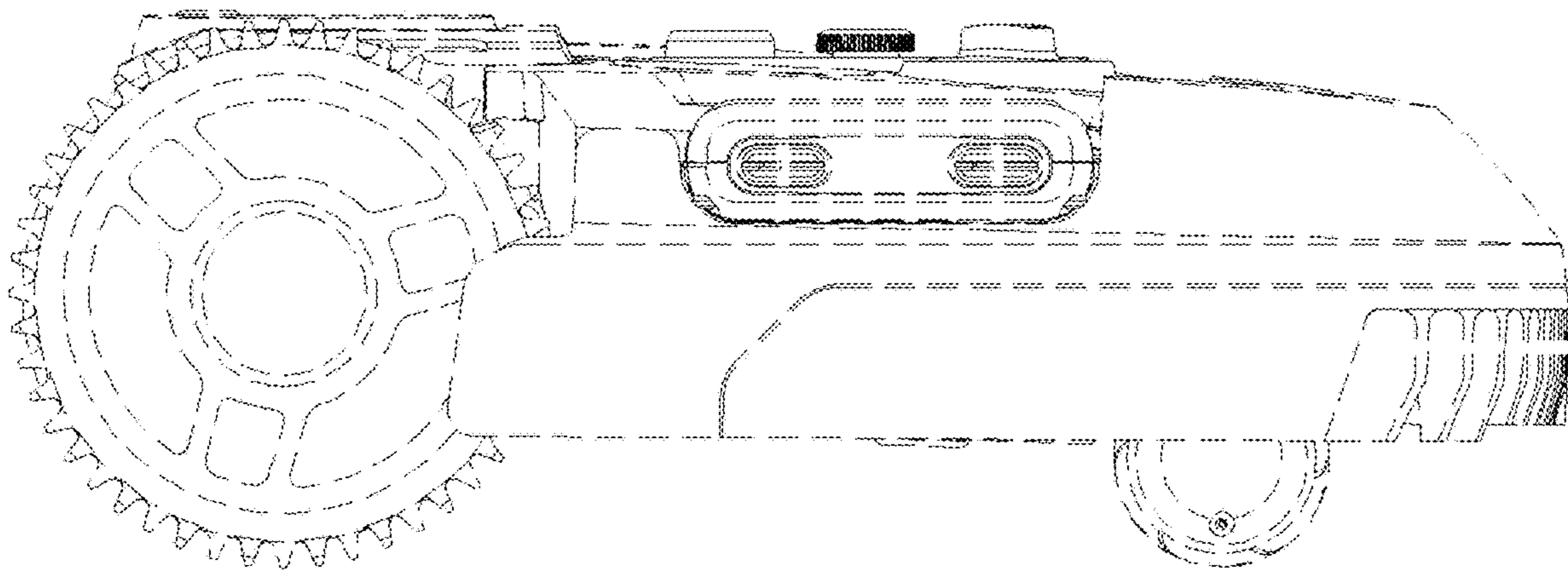


Figure 4

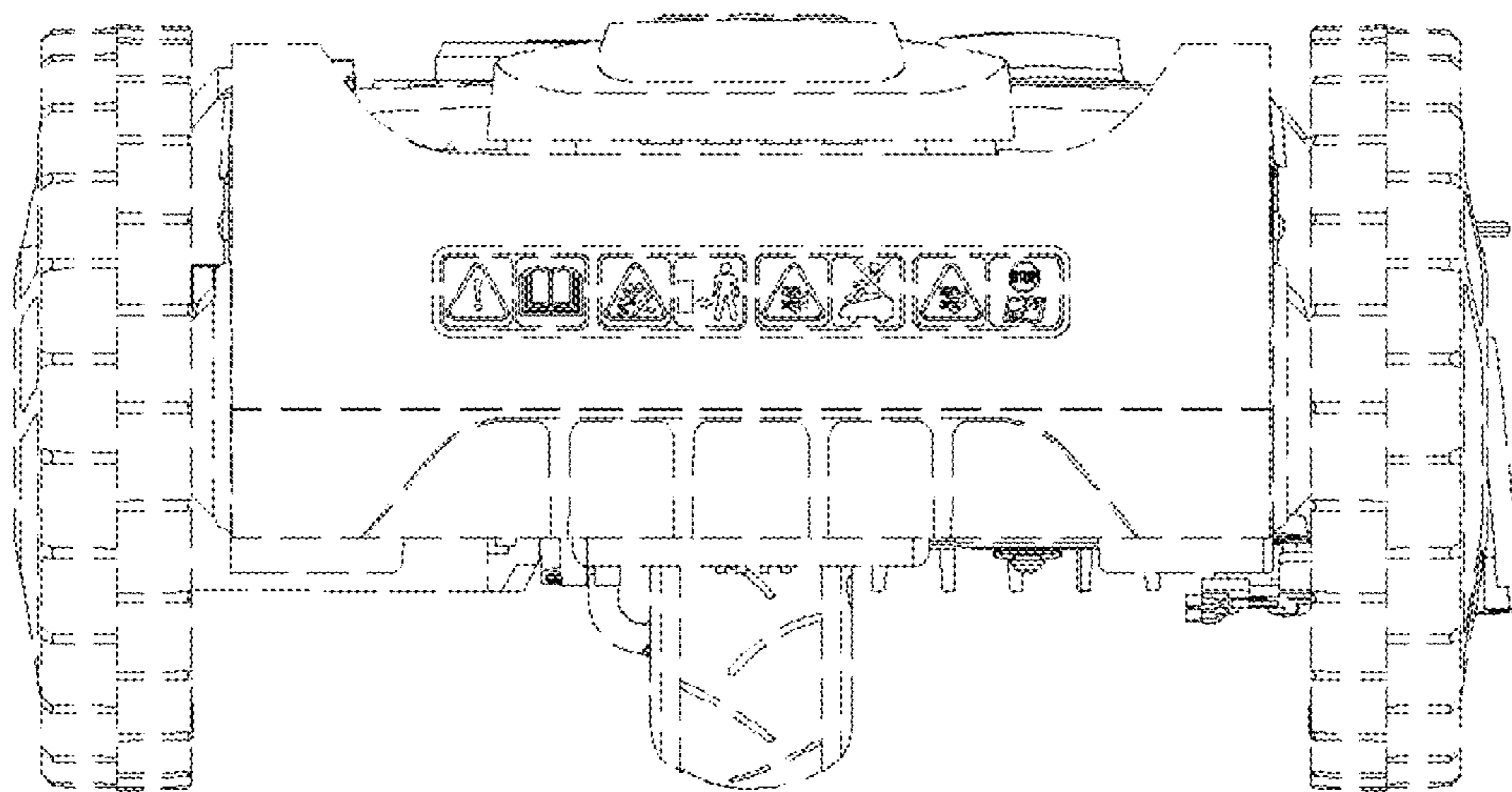


Figure 5

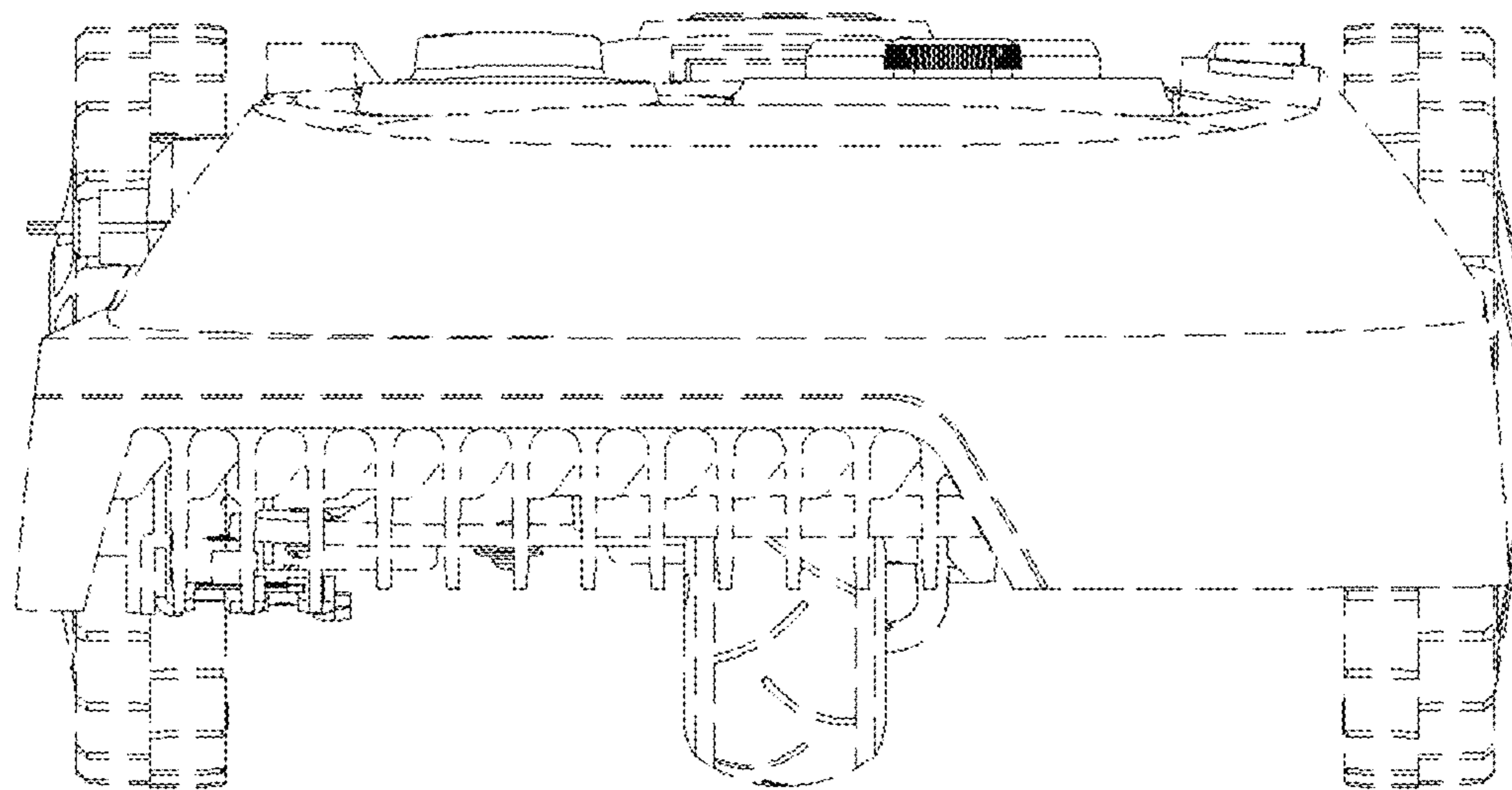


Figure 6

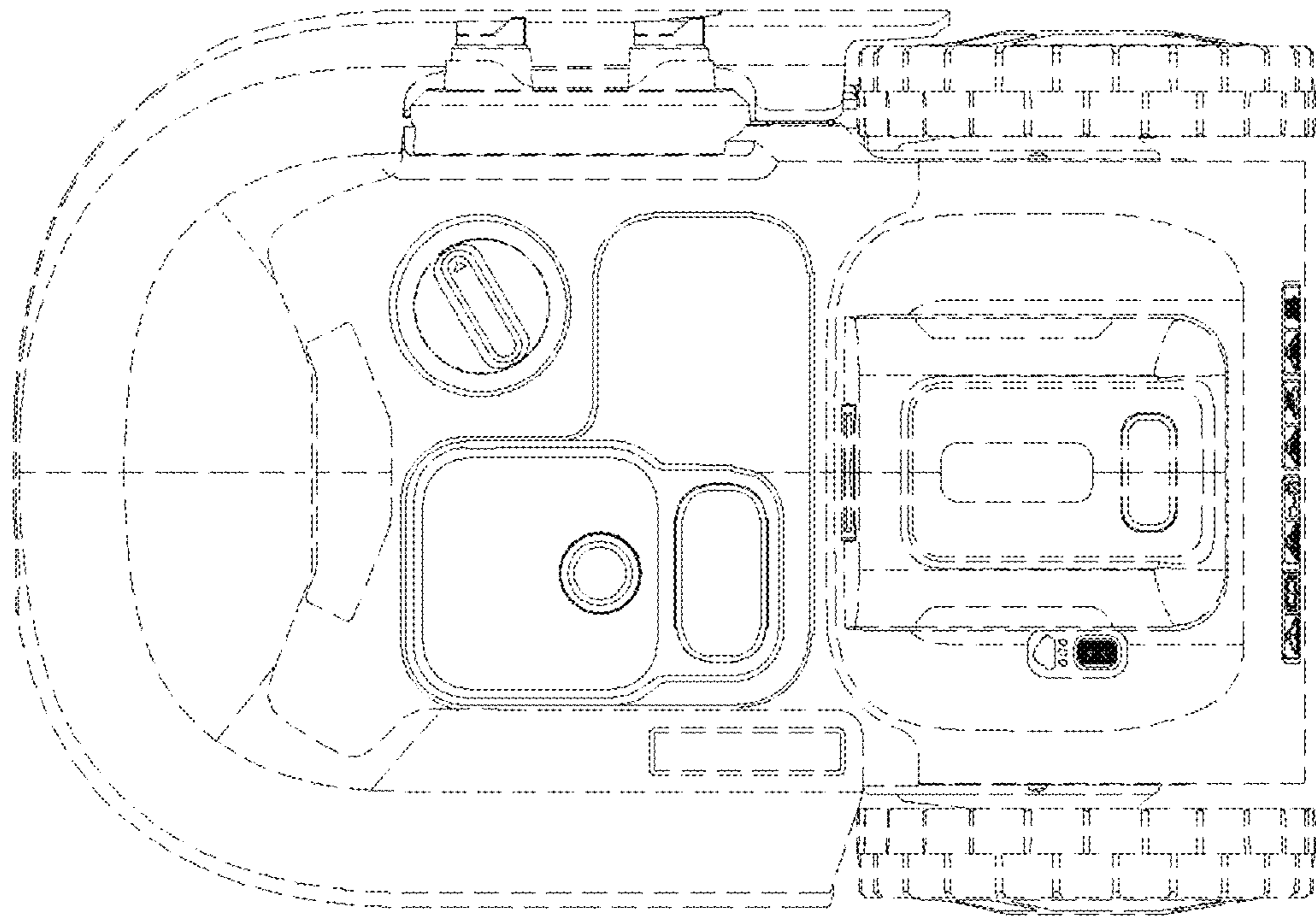


Figure 7

