



US00D970558S

(12) **United States Design Patent** (10) **Patent No.:** **US D970,558 S**
Wang (45) **Date of Patent:** **** Nov. 22, 2022**

(54) **TIRE INFLATOR**

FOREIGN PATENT DOCUMENTS

(71) Applicant: **SHENZHEN LIYI99.COM, LTD.**,
Shenzhen (CN)

CN 306766827 8/2021

(72) Inventor: **Xuzhong Wang**, Shenzhen (CN)

(73) Assignee: **SHENZHEN LIYI99.COM, LTD.**,
Shenzhen (CN)

OTHER PUBLICATIONS

Cahot, Portable Air Compressor, 150PSI Cordless Tire Inflator Pump with Digital Pressure Gauge, (first available Aug. 27, 2020), Amazon.com, URL:<<https://www.amazon.com/Cahot-Portable-Compressor-Rechargeable-Motorcycle/dp/B08GS8N49Z>> (Year: 2020).*

(**) Term: **15 Years**

(Continued)

(21) Appl. No.: **29/814,966**

Primary Examiner — Calvin E Vansant

(22) Filed: **Nov. 10, 2021**

Assistant Examiner — Mark T. Philipps

(30) **Foreign Application Priority Data**

(74) *Attorney, Agent, or Firm* — Marshall, Gerstein & Borun LLP

May 17, 2021 (CN) 202130293533.4

(51) **LOC (13) Cl.** **15-02**

(52) **U.S. Cl.**
USPC **D15/7; D8/69**

(58) **Field of Classification Search**
USPC D15/7-9, 144.1; D8/68, 69; D23/213,
D23/223, 225-227
CPC F04B 53/14; F04B 53/92; F04B 33/00;
F04B 33/005; F04B 1/005; F04B 39/102;
F04D 13/06; F04D 29/22; F04D 29/046;
F04D 29/2266

(57) **CLAIM**

The ornamental design for a tire inflator, as shown and described.

See application file for complete search history.

DESCRIPTION

(56) **References Cited**

U.S. PATENT DOCUMENTS

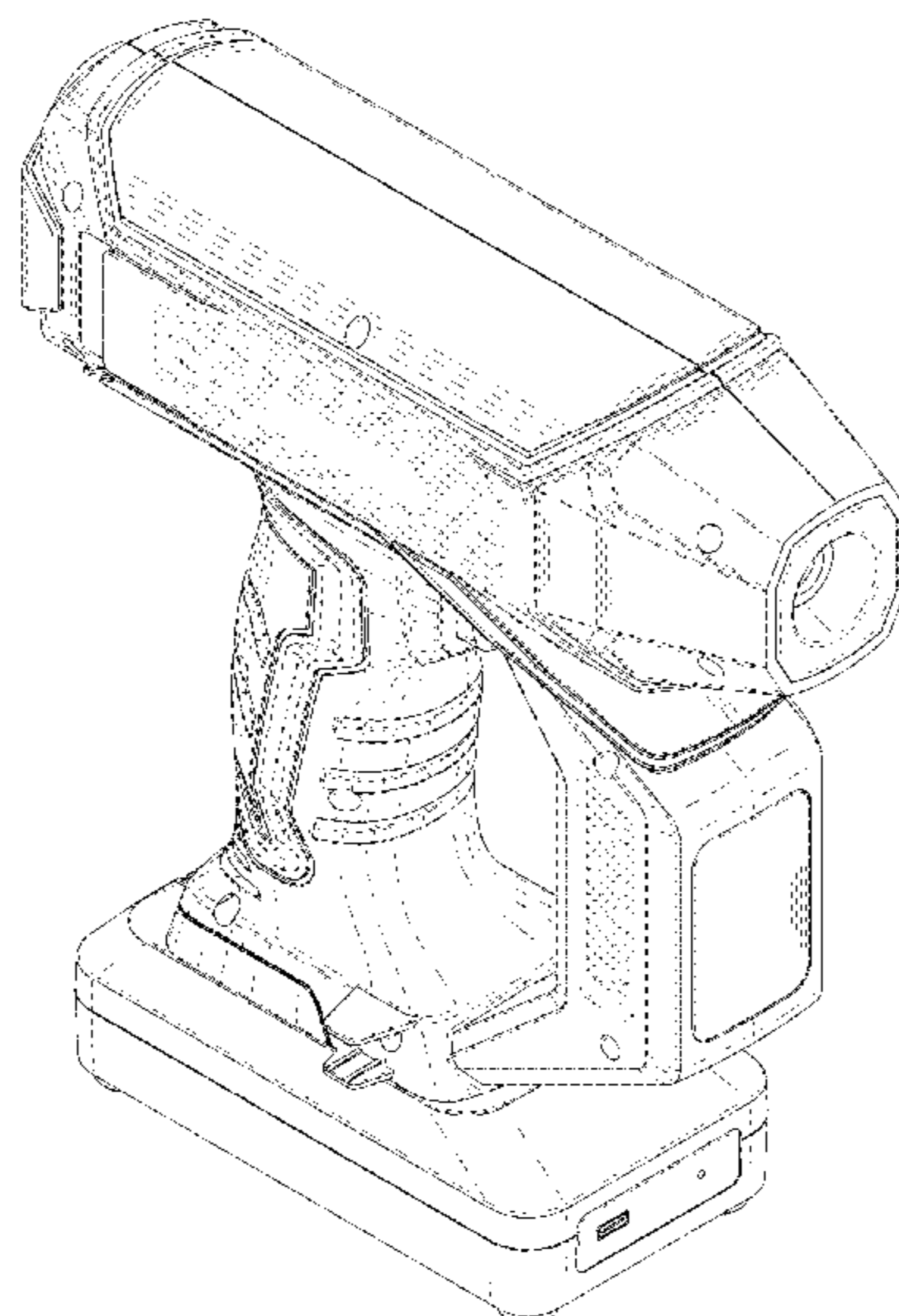
D423,519 S * 4/2000 Bonzer D15/9
D505,852 S * 6/2005 Kuroyanagi D8/69
D605,491 S * 12/2009 Mitomi D8/69
D678,024 S * 3/2013 Taniguchi D8/68
D791,565 S * 7/2017 Hyma B25D 11/04
D805,109 S * 12/2017 Exley D15/7

FIG. 1 is a top, right perspective view of a first embodiment of a tire inflator showing our new design; FIG. 2 is a right side view thereof; FIG. 3 is a left side view thereof; FIG. 4 is a rear view thereof; FIG. 5 is a front view thereof; FIG. 6 is a top view thereof; and FIG. 7 is a bottom view thereof. FIG. 8 is a top, right perspective view of a second embodiment of a tire inflator showing our new design; FIG. 9 is a right side view thereof; FIG. 10 is a left side view thereof; FIG. 11 is a rear view thereof; FIG. 12 is a front view thereof; FIG. 13 is a top view thereof; and, FIG. 14 is a bottom view thereof.

The broken lines shown in the Figures represent portions of the tire inflator that form no part of the claimed design.

(Continued)

1 Claim, 14 Drawing Sheets



(56)

References Cited

U.S. PATENT DOCUMENTS

D817,364	S	*	5/2018	He	D15/7
D839,069	S	*	1/2019	Koeniger	D8/68
D882,365	S	*	4/2020	Xu	D8/68
D904,464	S	*	12/2020	Yang	D15/9
D911,139	S	*	2/2021	Concari	D8/68
D917,575	S	*	4/2021	Zhang	D15/7
D918,270	S	*	5/2021	Tang	D15/7
D941,650	S	*	1/2022	Yang	D8/69
D943,636	S	*	2/2022	Beard	D15/7
D944,067	S	*	2/2022	Simonin	D8/68

OTHER PUBLICATIONS

Avid Power Store, Tire Inflator Air Compressor, 20V Cordless Car Tire Pump, (first available Apr. 28, 2018), Amazon.com, URL:<<https://www.amazon.com/Inflator-Compressor-Rechargeable-Power-Avid/dp/B07CTGM2LD>> (Year: 2018).*

AKASO, Tire Inflator Portable Air Compressor Cordless Car Tire Pump, (first available Mar. 16, 2021), Amazon.com, URL:<<https://www.amazon.com/AKASO-Compressor-Rechargeable-Automatic-Inflatable/dp/B098JHMLFM>> (Year: 2021).*

RIGID power tools, 18V Cordless Digital Inflator (Tool Only) R87044, (site visited Jun. 17, 2022), Home Depot website, URL:<<https://www.homedepot.com/p/RIDGID-18V-Cordless-Digital-Inflator-Tool-Only-R87044/313257505>> (Year: 2022).*

* cited by examiner

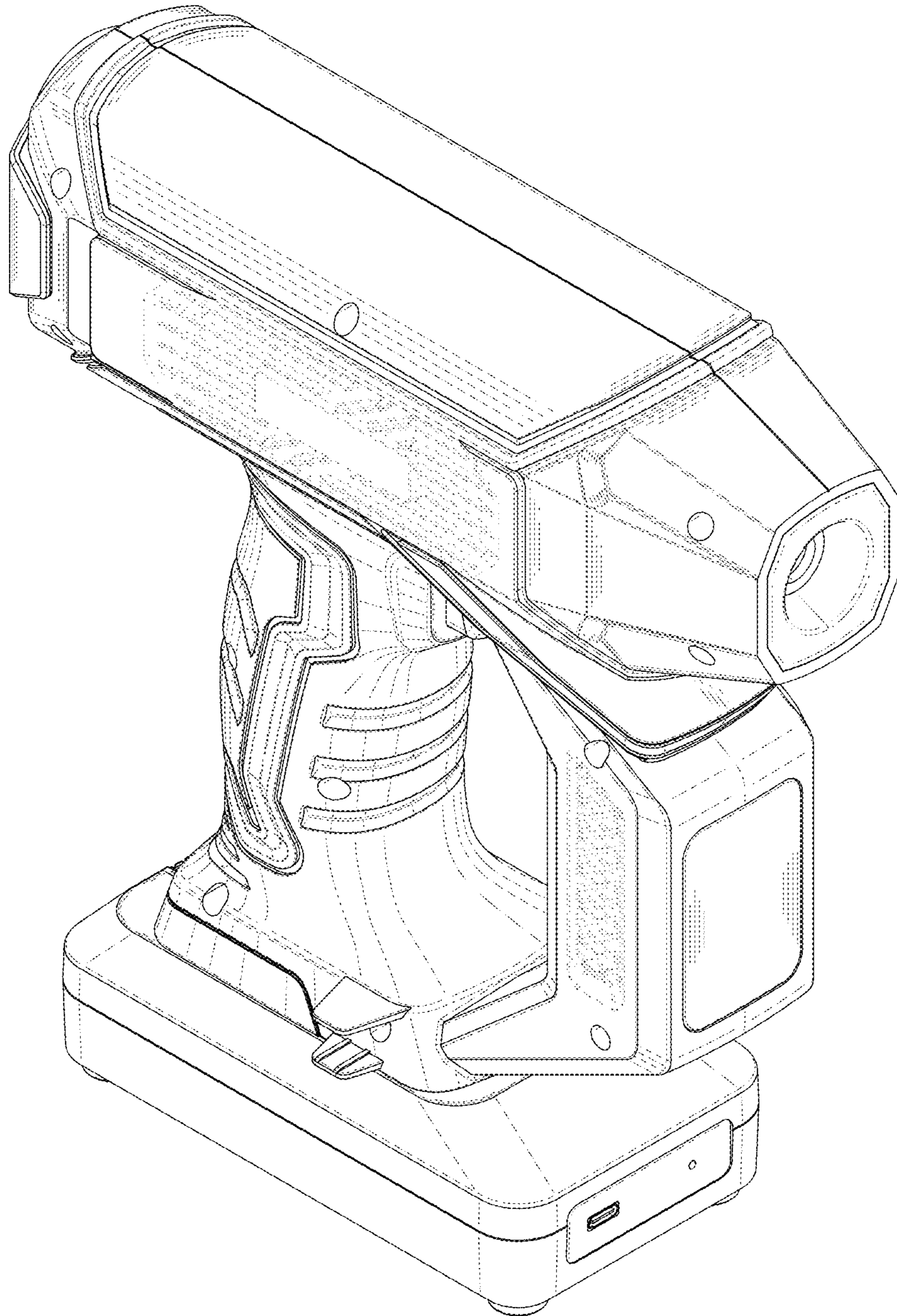


FIG.1

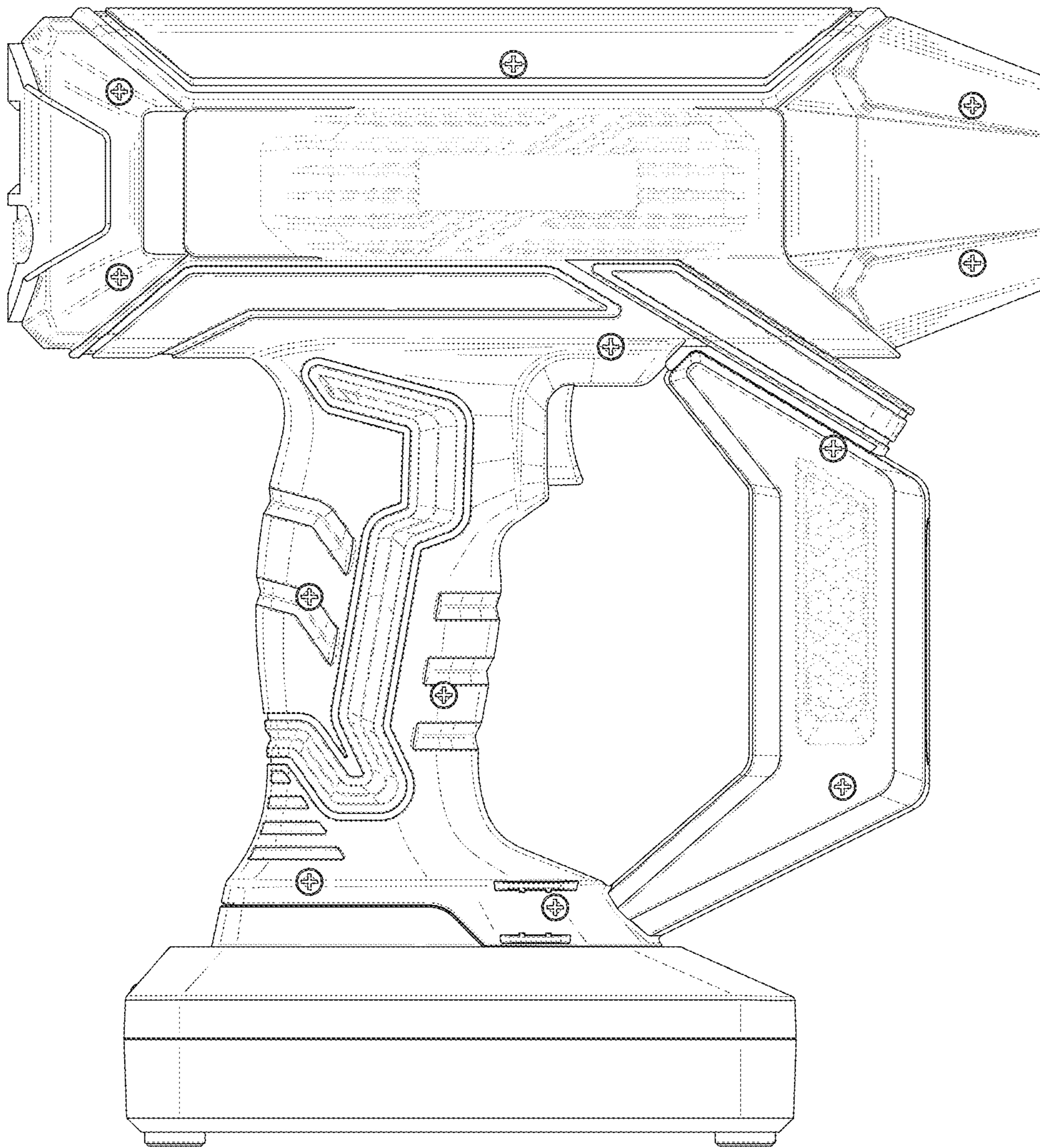


FIG.2

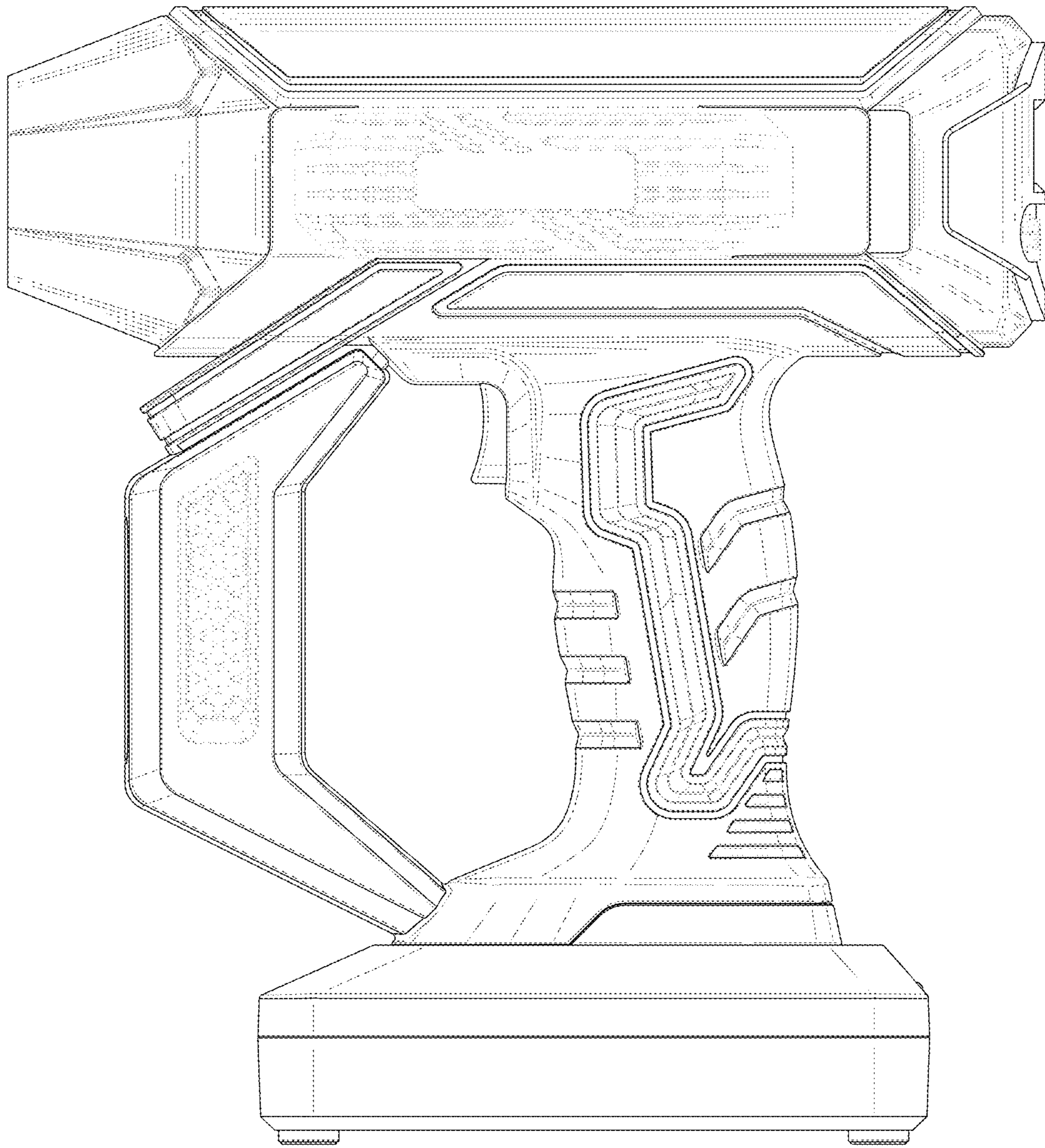


FIG.3

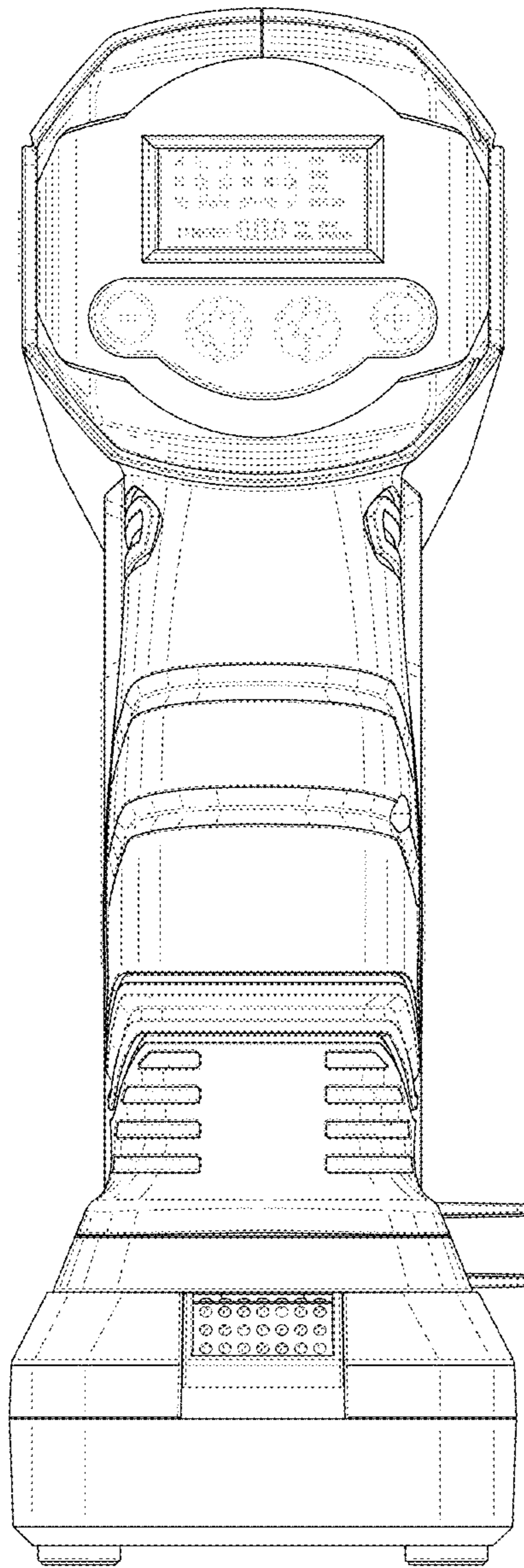


FIG.4

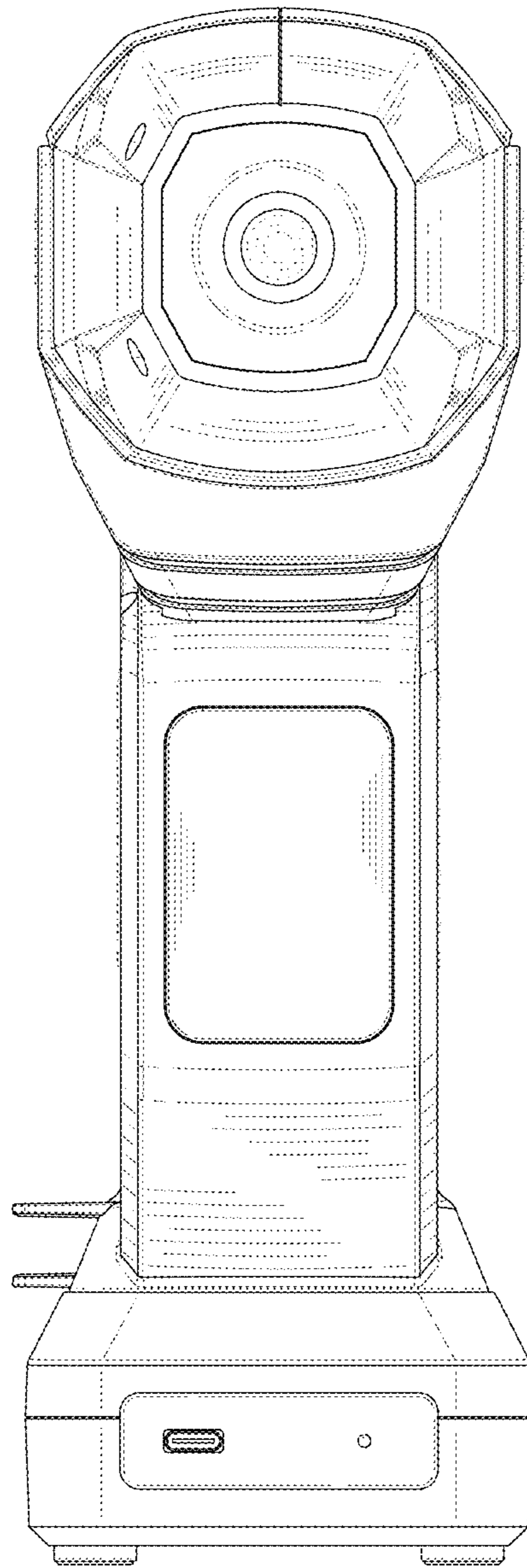


FIG.5

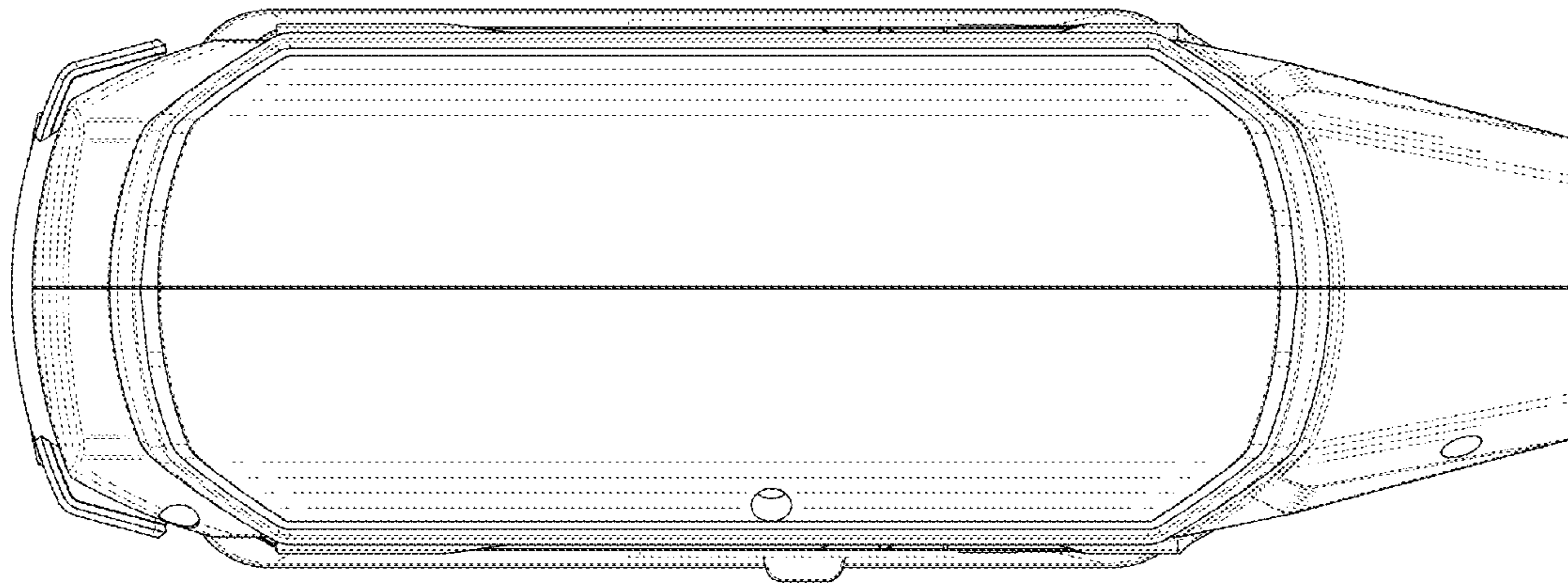


FIG.6

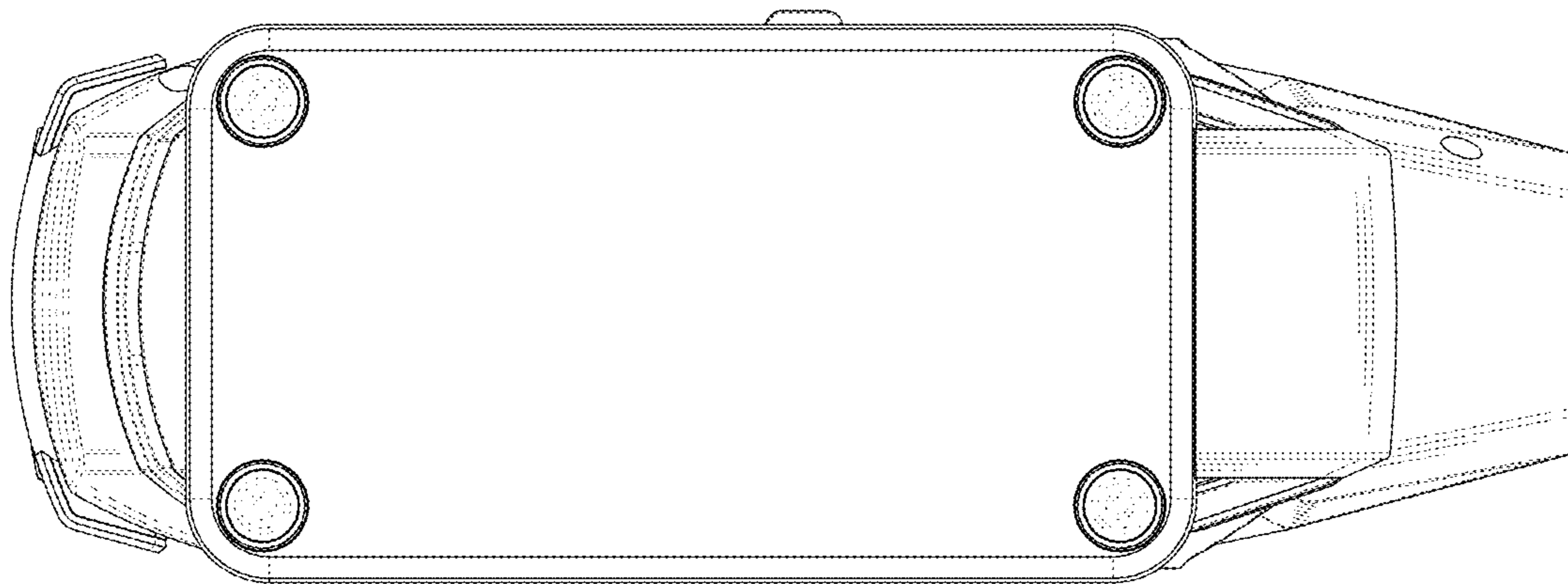


FIG.7

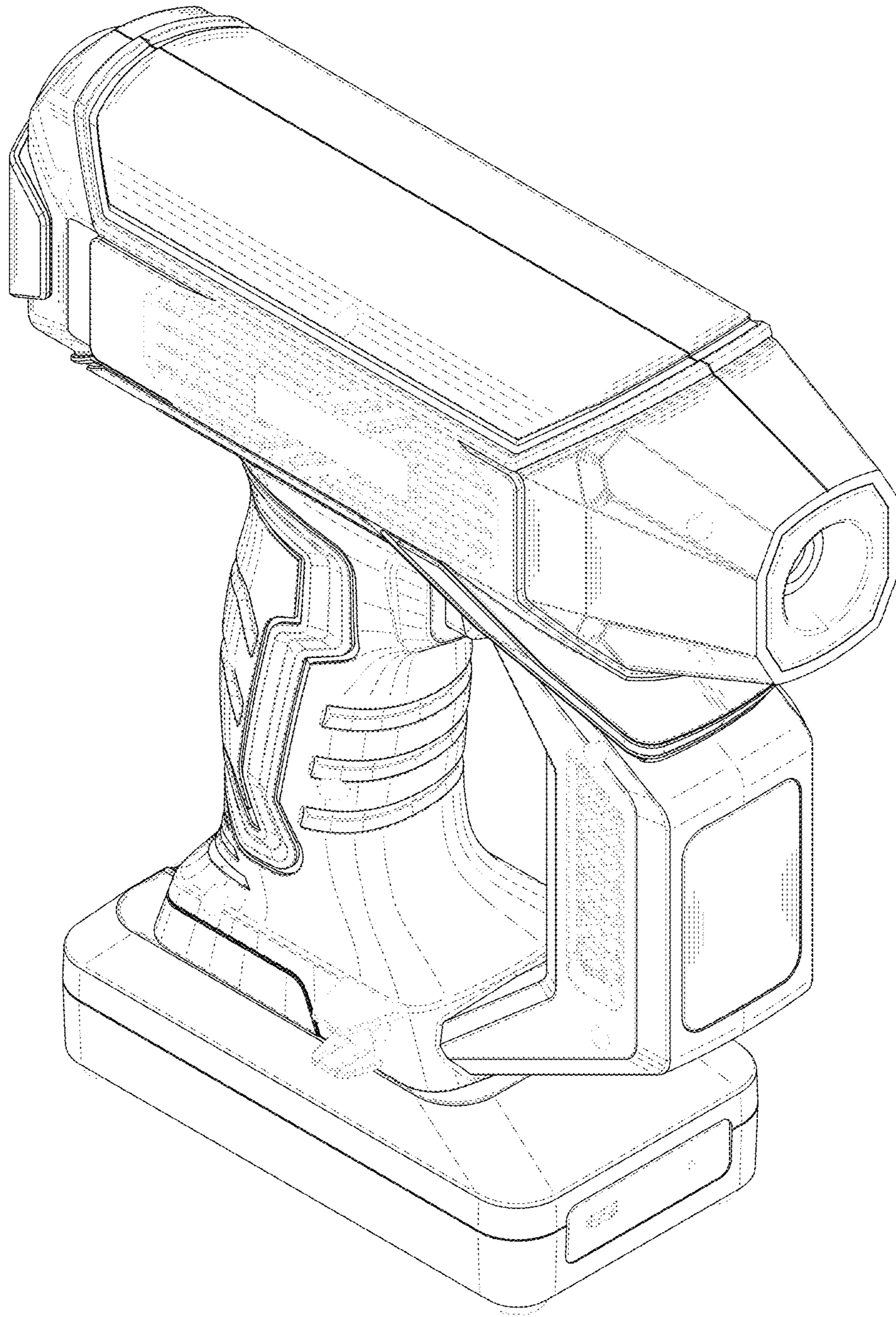


FIG. 8

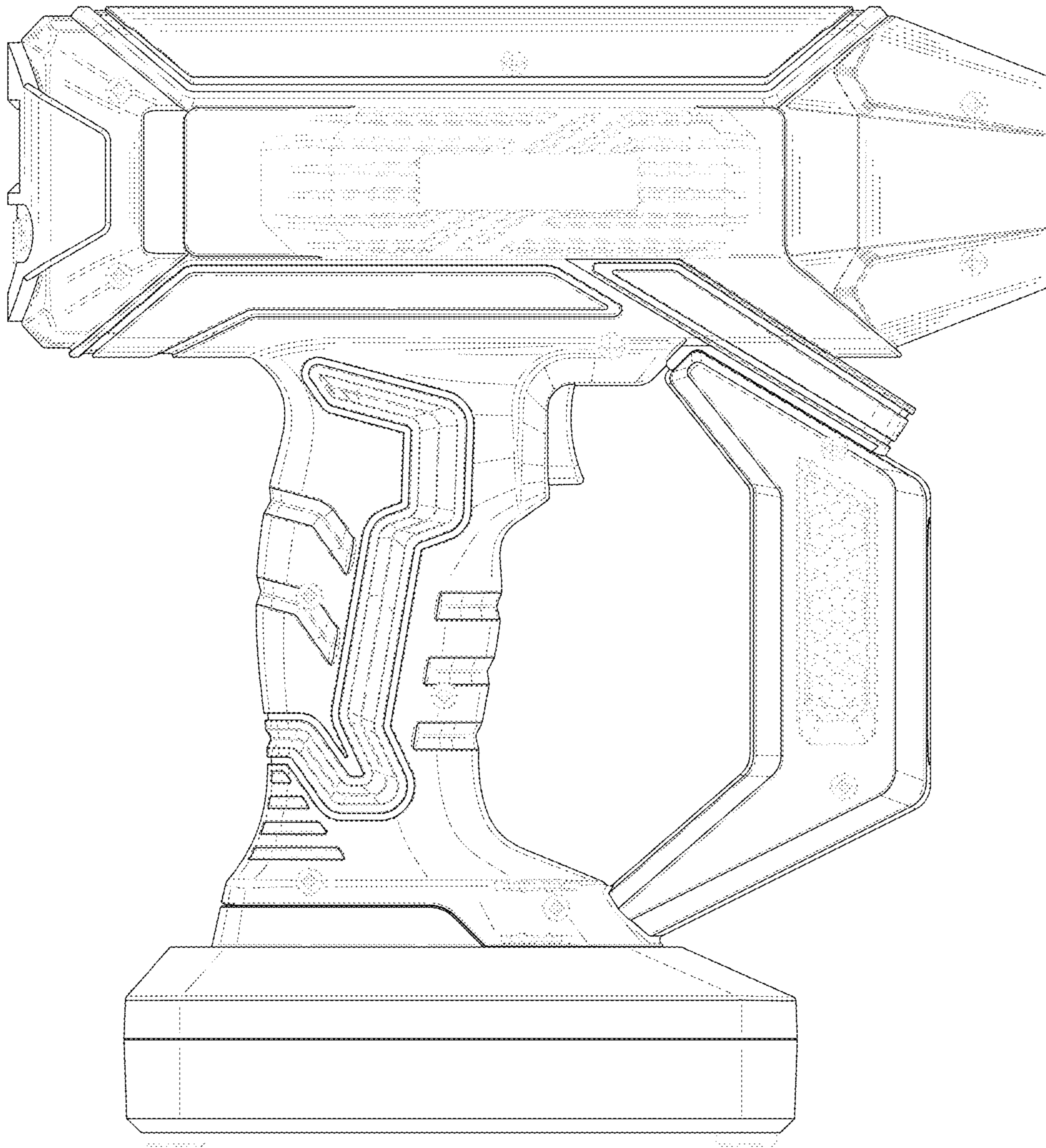


FIG. 9

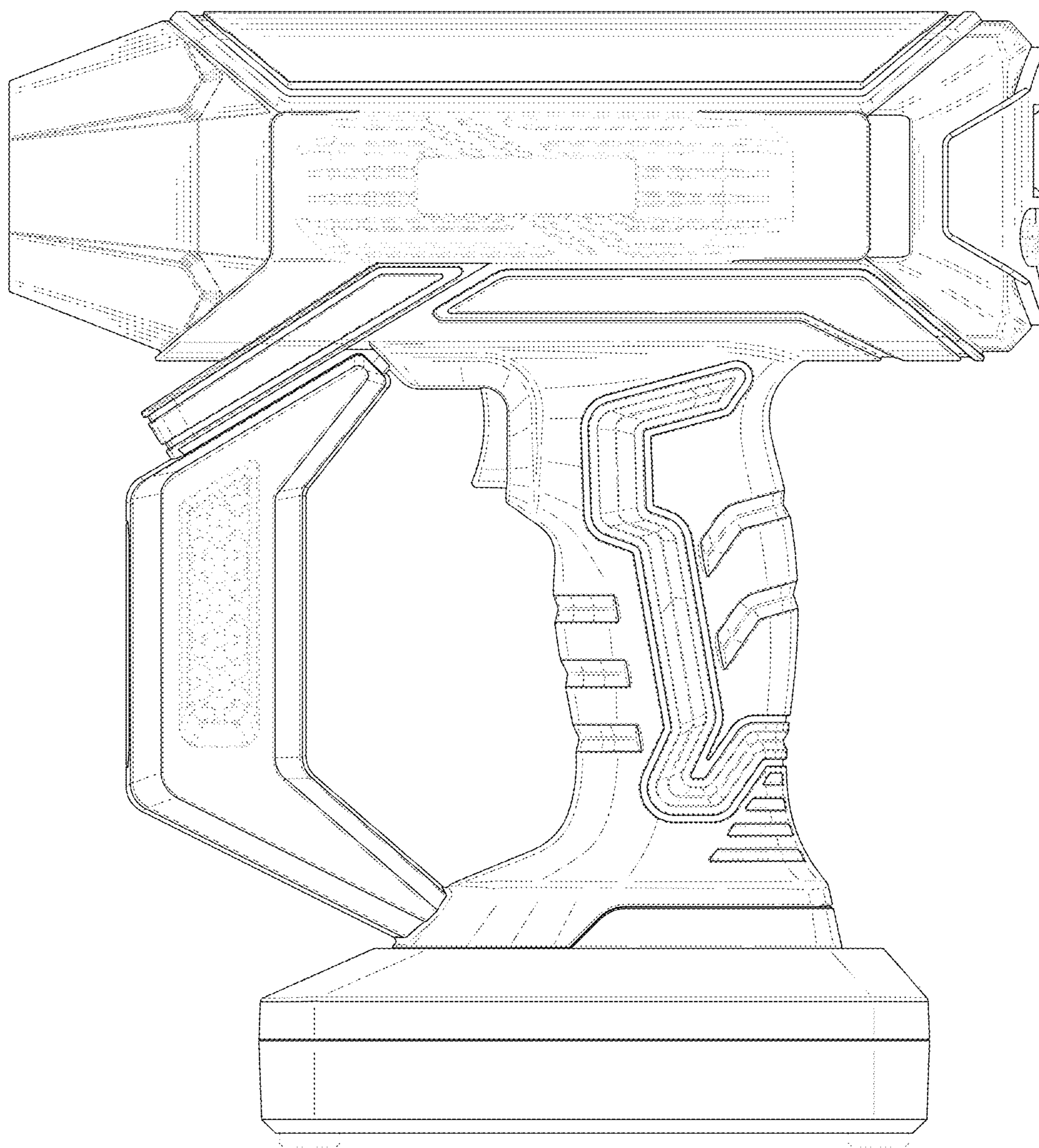


FIG. 10

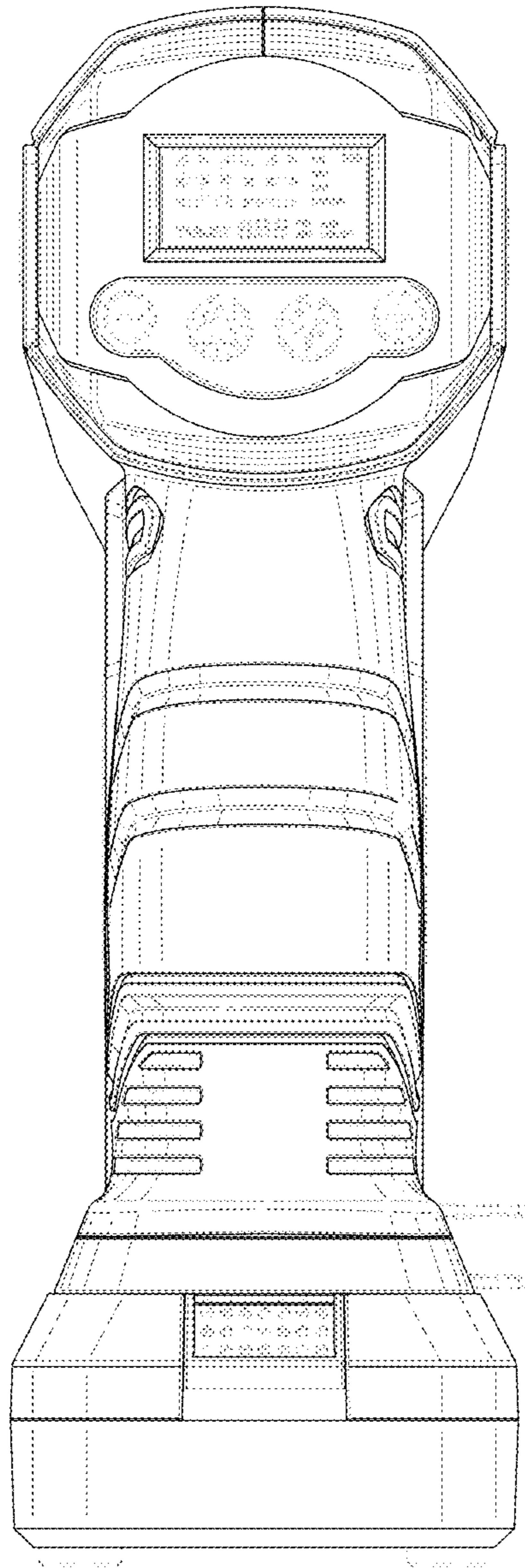


FIG. 11

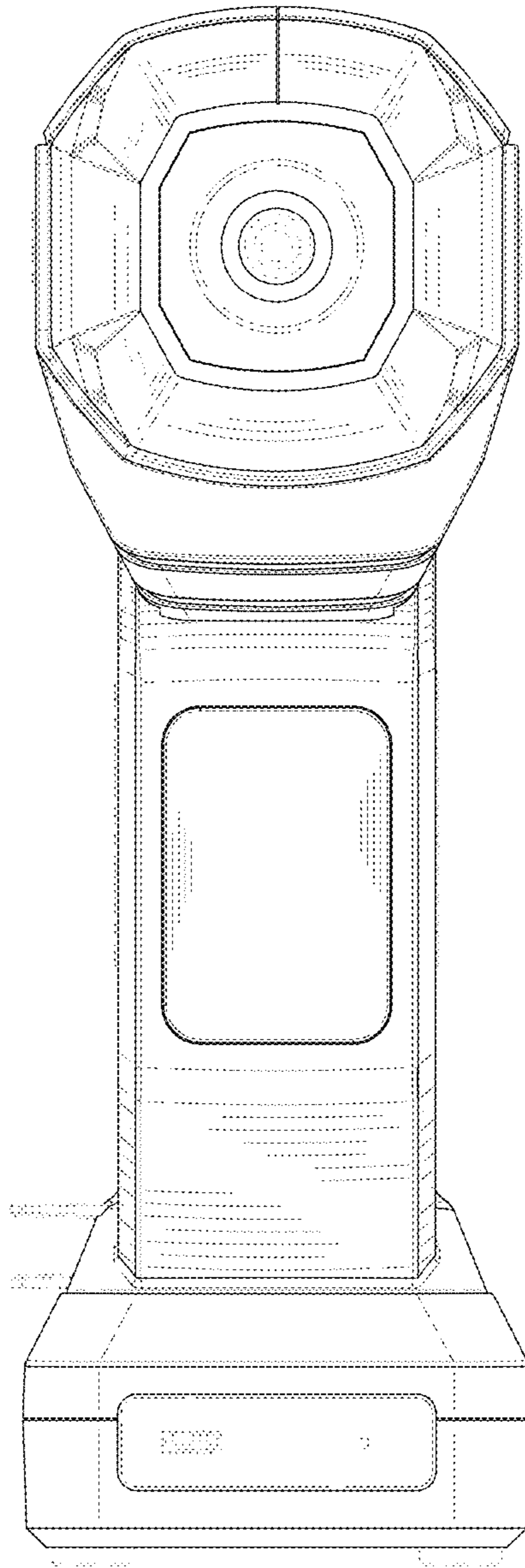


FIG. 12

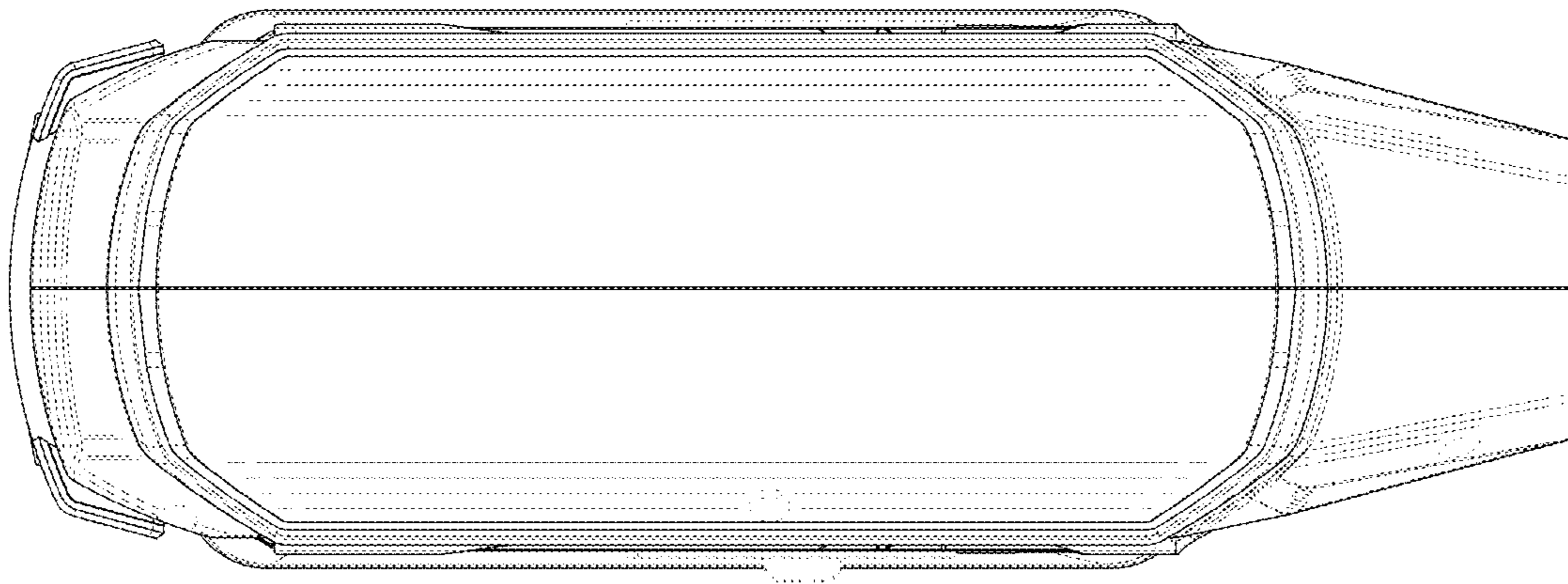


FIG. 13

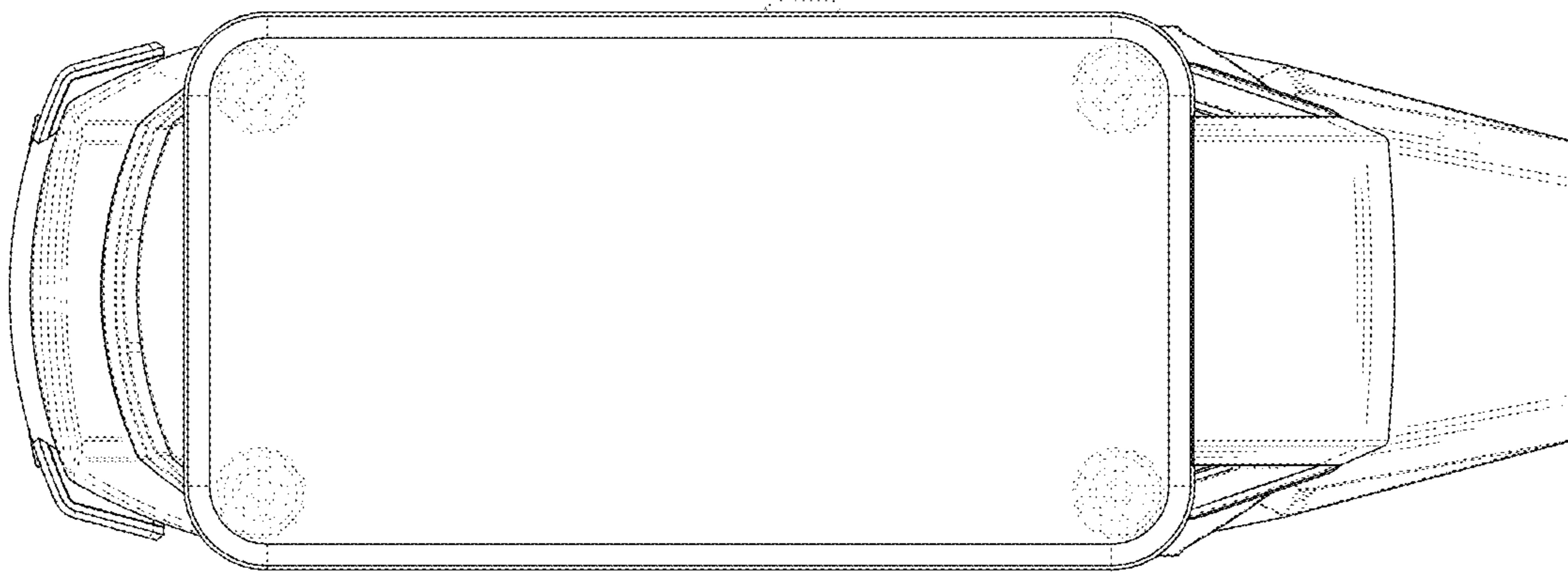


FIG. 14