



US00D970557S

(12) **United States Design Patent**
Yang

(10) **Patent No.:** **US D970,557 S**

(45) **Date of Patent:** **** Nov. 22, 2022**

(54) **AIR PUMP**

(71) Applicant: **DONGGUAN HONGSHENG METAL & PLASTIC TECHNOLOGY CO., LTD.**,
Guangdong (CN)

(72) Inventor: **Chunhua Yang**, Guangdong (CN)

(73) Assignee: **DONGGUAN HONGSHENG METAL & PLASTIC TECHNOLOGY CO., LTD.**,
Dongguan (CN)

(**) Term: **15 Years**

(21) Appl. No.: **29/798,698**

(22) Filed: **Jul. 9, 2021**

(30) **Foreign Application Priority Data**

Apr. 16, 2021 (CN) 202130217622.0

(51) **LOC (13) Cl.** **15-02**

(52) **U.S. Cl.**
USPC **D15/7**

(58) **Field of Classification Search**
USPC D23/210, 225, 231, 232, 366, 356, 360;
D14/203.1-203.8; D15/7-9;
D24/108-111
CPC A61M 1/06; A61M 1/062; A61M
2205/8206; A61M 2210/1007; A61M
1/81; F04B 53/14; F04B 53/92; F04B
33/00; F04B 33/005; F04B 1/005; F04D
13/06; F04D 29/22; F04D 29/046; F04D
29/2266; F16K 11/048; F16K 15/20;
F16K 31/602

See application file for complete search history.

(56) **References Cited**

U.S. PATENT DOCUMENTS

D349,334 S * 8/1994 O'Grady D23/360
D441,376 S * 5/2001 Gohil D15/7

D479,248 S * 9/2003 Gist D15/9
D500,769 S * 1/2005 Montgomery D15/7
D541,823 S * 5/2007 Wang D15/9
D605,666 S * 12/2009 Moser D15/9
D624,936 S * 10/2010 Houghton D15/9
D683,843 S * 6/2013 Cudworth D24/109
D708,850 S * 7/2014 Morine D3/294
D744,086 S * 11/2015 Yamashita D24/109
D745,137 S * 12/2015 Pipe D24/108
D785,772 S * 5/2017 Bergin D23/325
D830,417 S * 10/2018 Sekula D15/7

(Continued)

OTHER PUBLICATIONS

Dama, 20 PSI Sup Pump Electric, New Version Paddle Board Pump, (first available May 24, 2022), Amazon.com, URL:<<https://www.amazon.com/DAMA-Intelligent-Inflation-Connector-Inflatable/dp/B09TQFB643>> (Year: 2022).*

(Continued)

Primary Examiner — Calvin E Vansant

Assistant Examiner — Mark T. Philipps

(74) *Attorney, Agent, or Firm* — Shimokaji IP

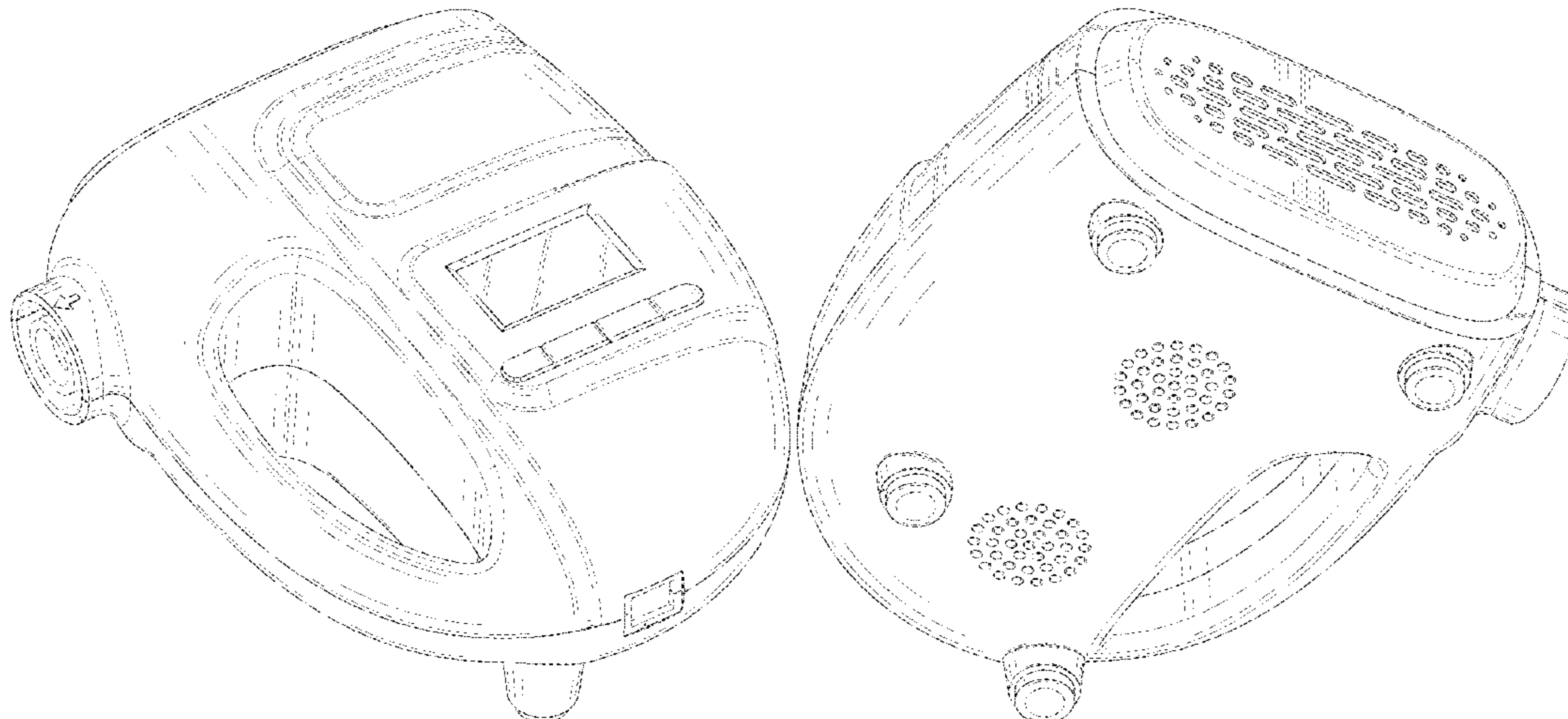
(57) **CLAIM**

The ornamental design for an air pump, as shown and described.

DESCRIPTION

FIG. 1 is a front elevation view of an air pump;
FIG. 2 is a rear elevation view thereof;
FIG. 3 is a left side elevation view thereof;
FIG. 4 is a right side elevation view thereof;
FIG. 5 is a top plan view thereof;
FIG. 6 is a bottom plan view thereof;
FIG. 7 is a first perspective view thereof; and,
FIG. 8 is a second perspective view thereof.
The broken lines in the drawings depict portions of the air pump that form no part of the claimed design.

1 Claim, 6 Drawing Sheets



(56)

References Cited

U.S. PATENT DOCUMENTS

D879,155 S * 3/2020 Liu D15/7
D915,569 S * 4/2021 Meda D23/325
D952,690 S * 5/2022 Thompson D15/7

OTHER PUBLICATIONS

Dskeuzeew, 20PSI Electric SUP Air Pump with 9000mAh Rechargeable Battery, (first available Jun. 23, 2022), Amazon.com, URL:<<https://www.amazon.com/Dskeuzeew-Rechargeable-Intelligent-Inflation-Deflation/dp/B0B4WFPCY4>> (Year: 2022).*

Outdoor Master, 20PSI High Pressure SUP Air Pump The Shark—Intelligent Dual Stage Inflation, (first available Mar. 10, 2020), Amazon.com, URL:<<https://www.amazon.com/OutdoorMaster-Shark-High-Pressure-Pump/dp/B0819RTT4P>> (Year: 2020).*

Valwix, High Pressure SUP Air Pump The Whale—Dual Stage Inflation, (first available Apr. 21, 2021), Amazon.com, URL:<<https://www.amazon.com/Valwix-High-Pressure-Pump-Whale/dp/B09333TVZ1>> (Year: 2021).*

* cited by examiner

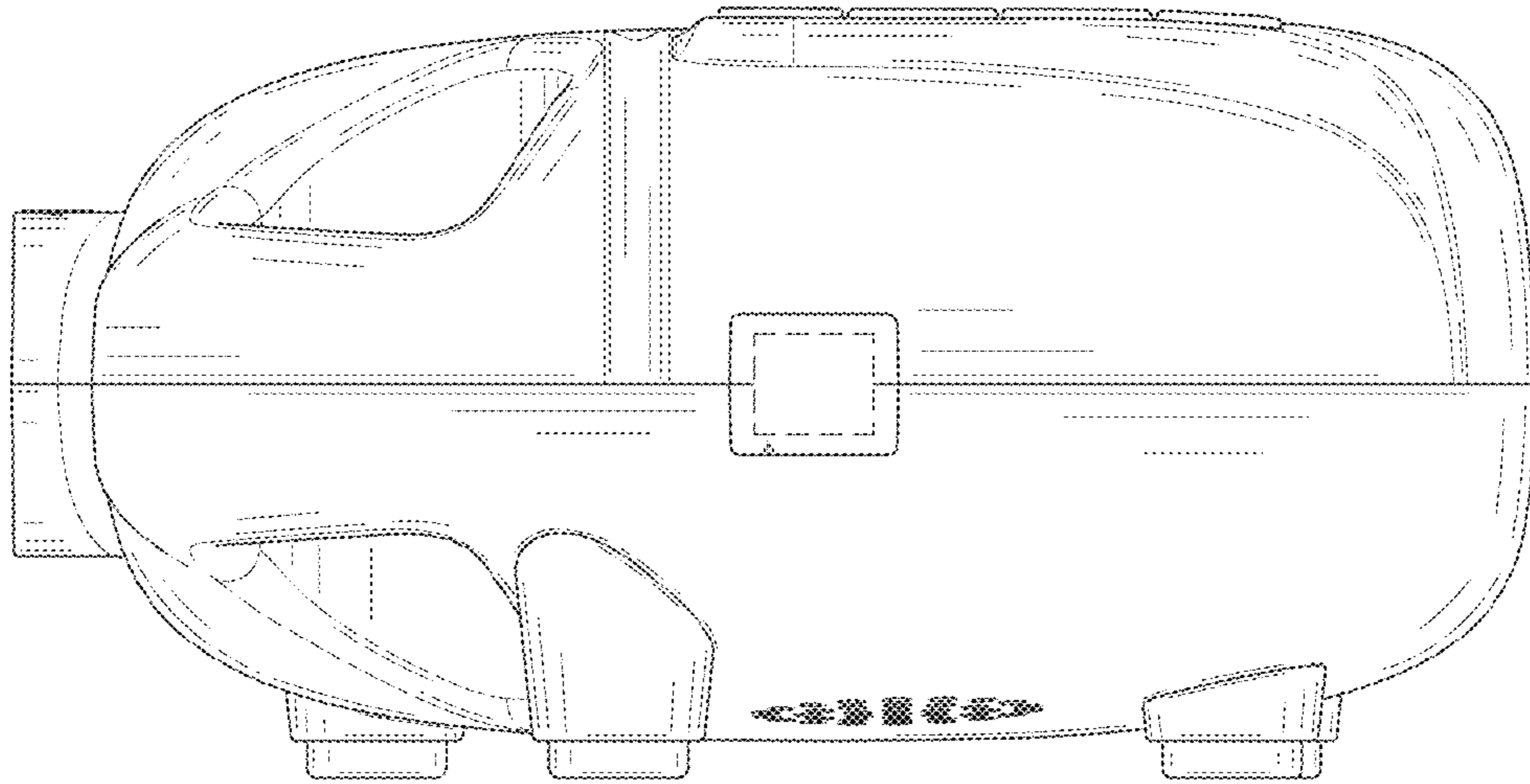


FIG. 1

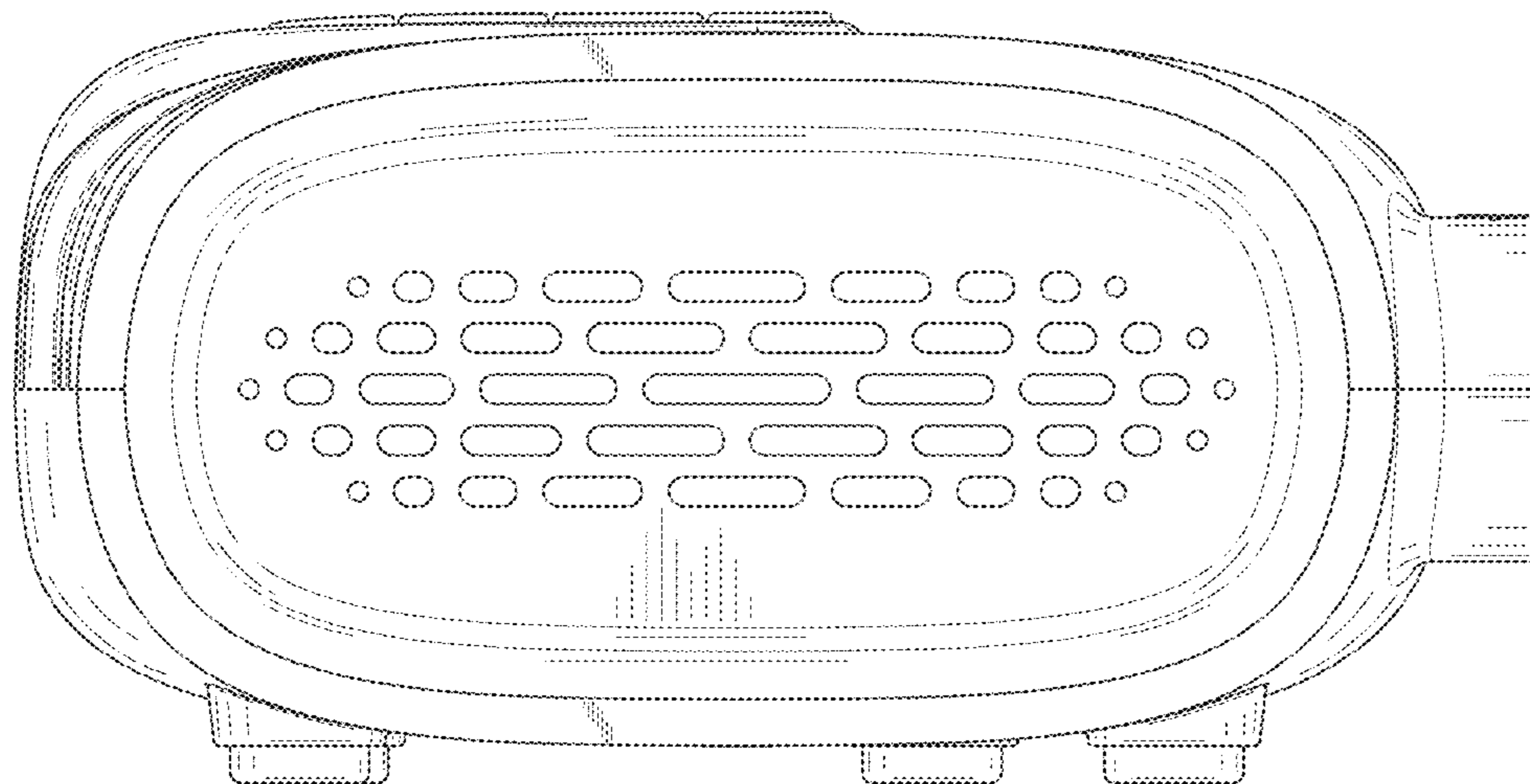


FIG. 2

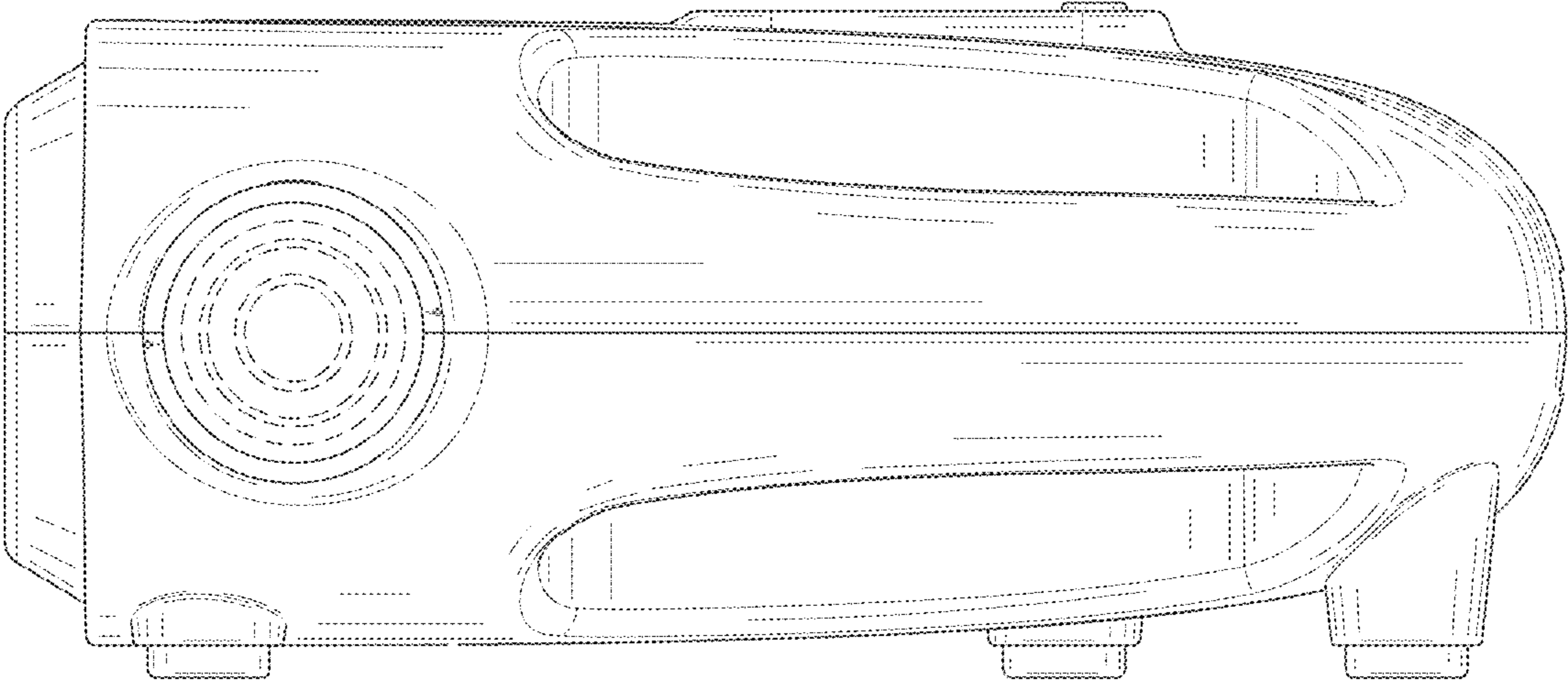


FIG.3

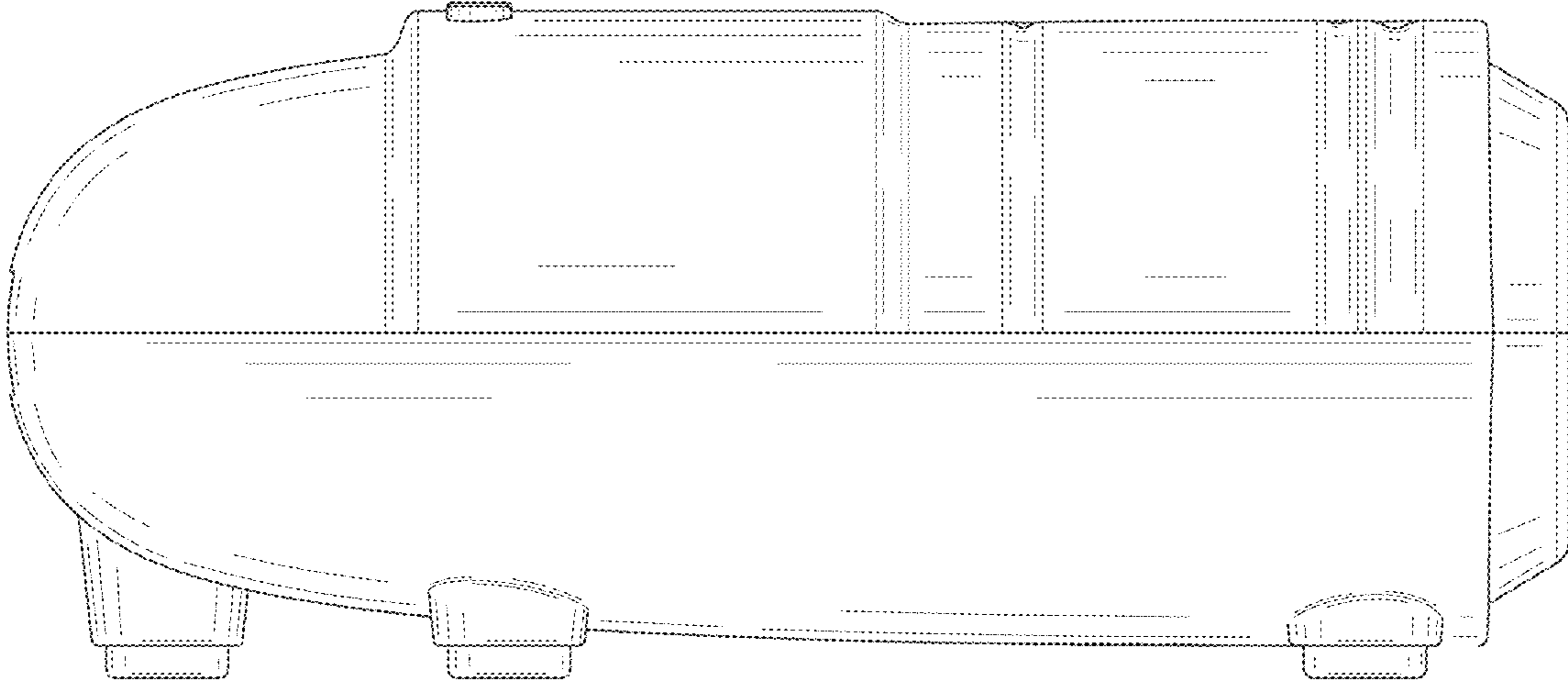


FIG.4

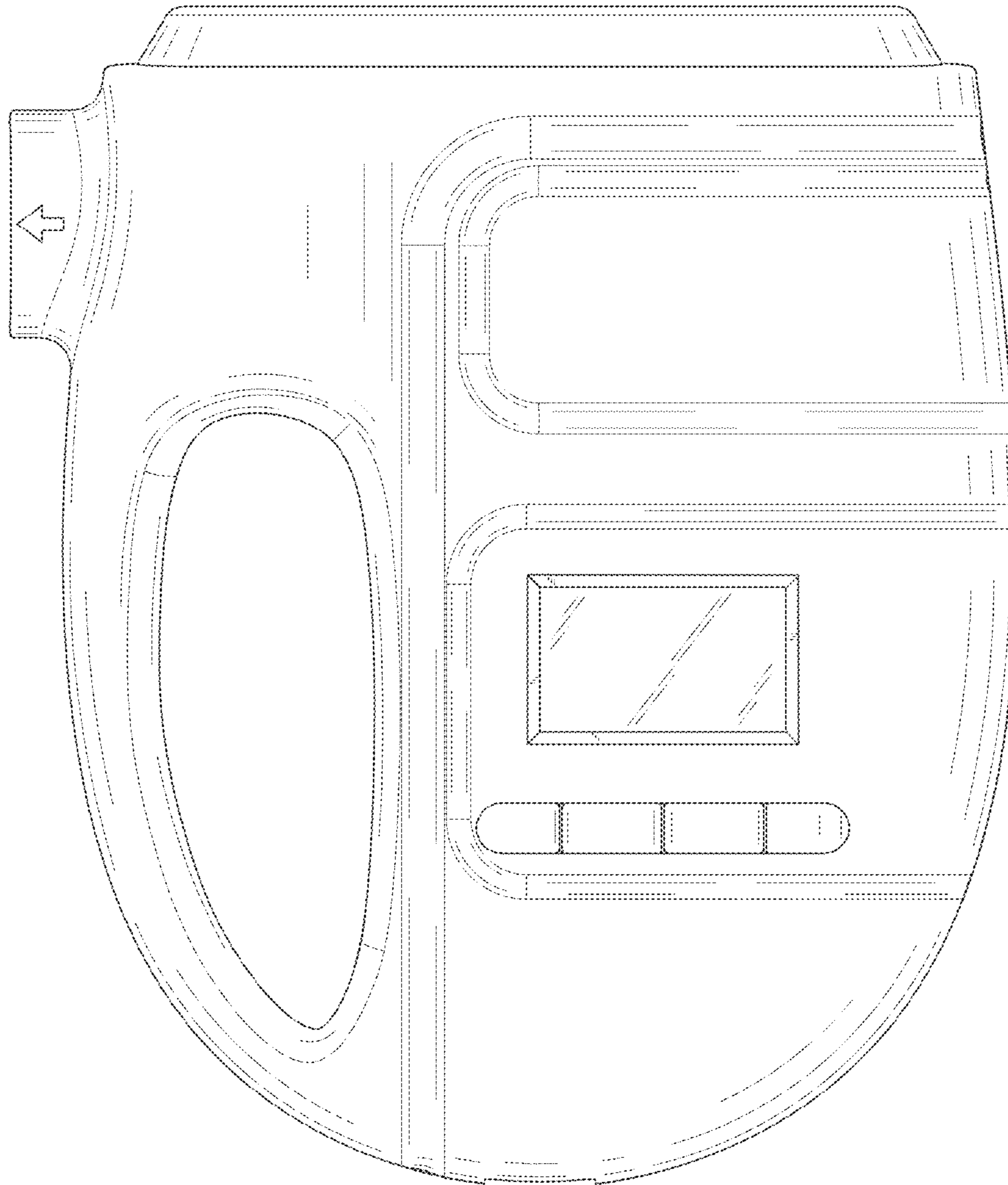


FIG.5

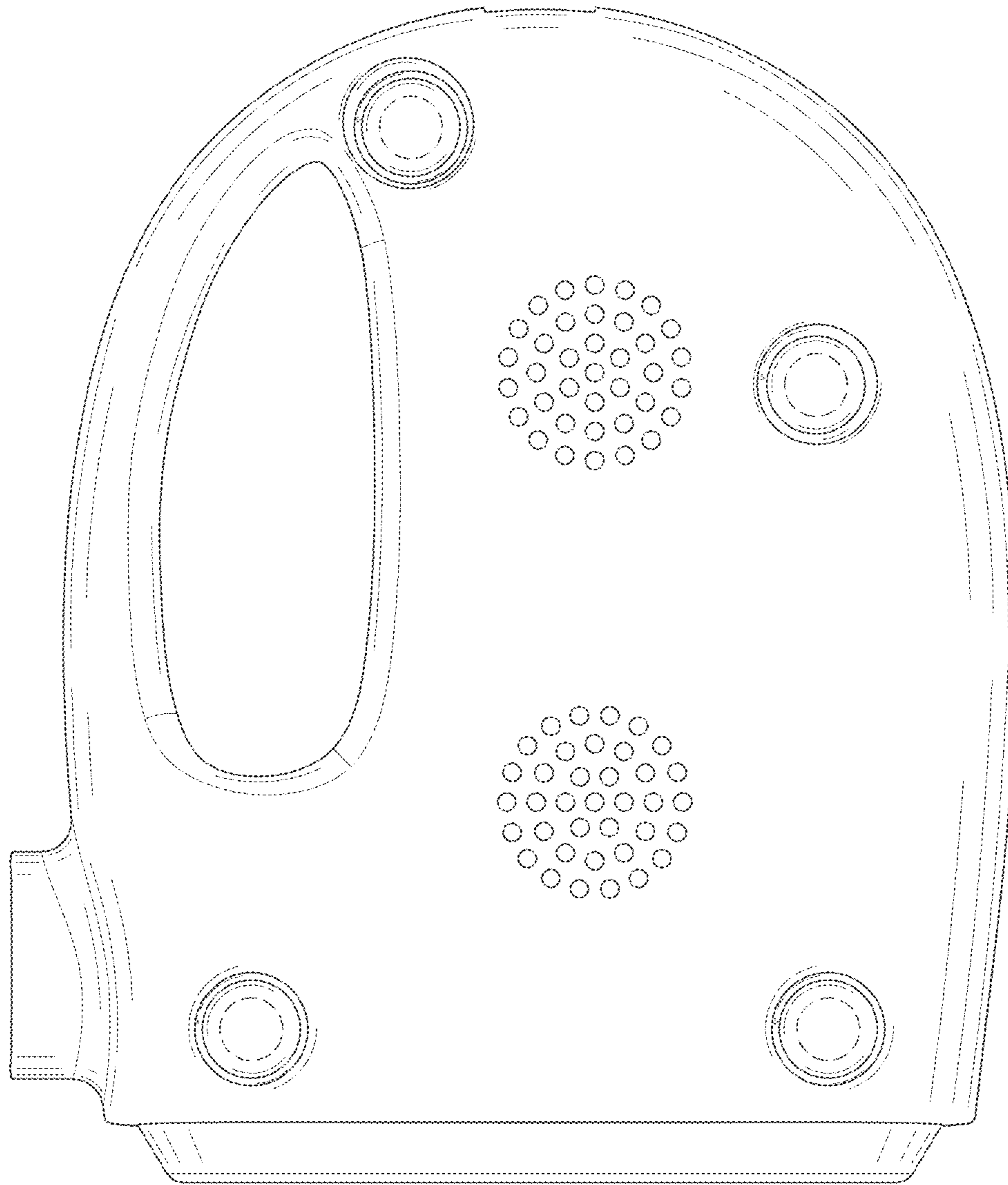


FIG.6

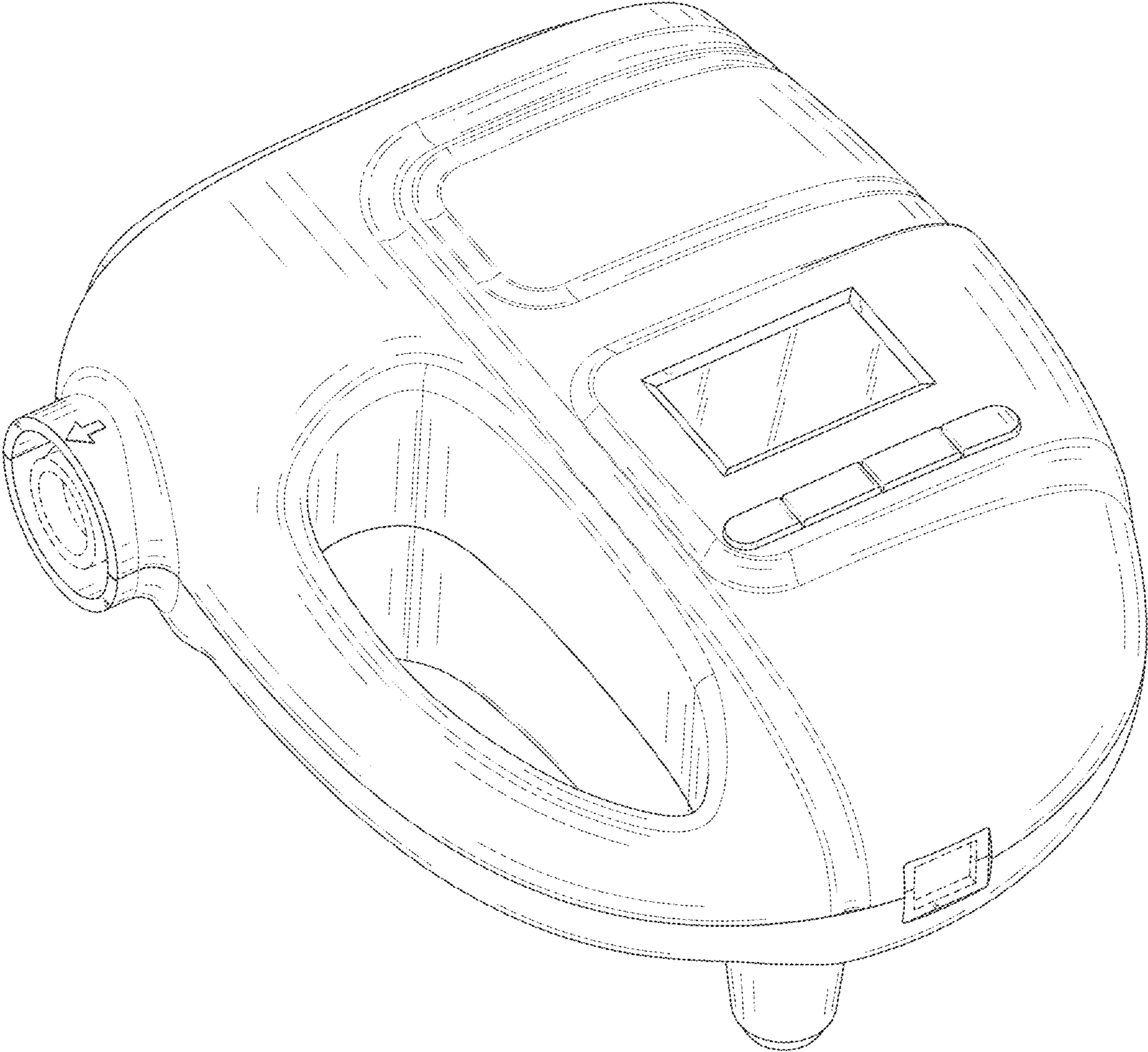


FIG.7

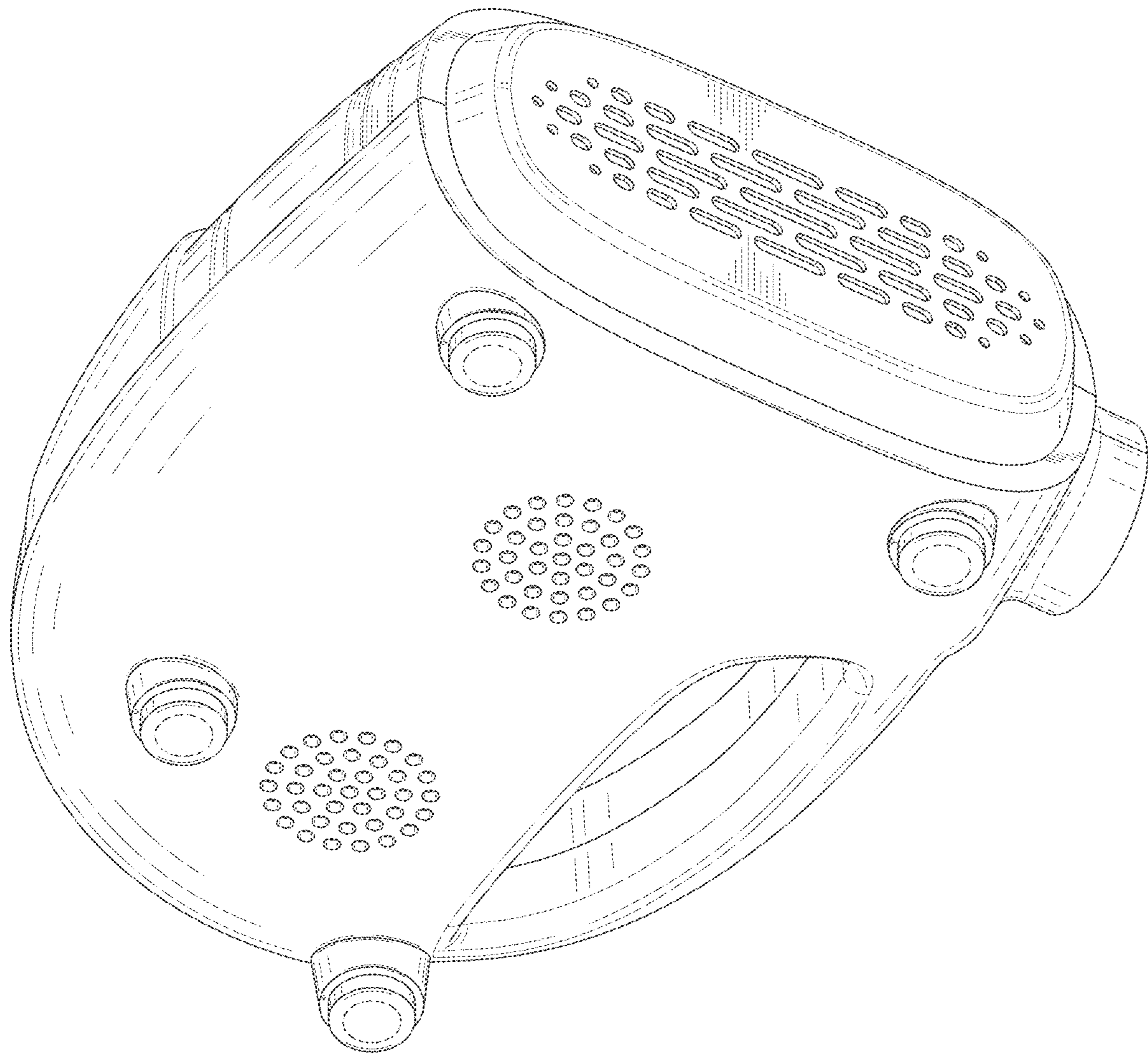


FIG.8