

US00D970554S

(12) **United States Design Patent** (10) **Patent No.:** **US D970,554 S**
Alexander et al. (45) **Date of Patent:** **** Nov. 22, 2022**

(54) **FLUID PUMP**
(71) Applicant: **FNA Group, Inc.**, Pleasant Prairie, WI (US)
(72) Inventors: **Gus Alexander**, Inverness, IL (US); **Richard Gilpatrick**, Burlington, WI (US)
(73) Assignee: **FNA Group, INC.**, Pleasant Prairie, WI (US)
(**) Term: **15 Years**
(21) Appl. No.: **29/739,482**
(22) Filed: **Jun. 25, 2020**
(51) **LOC (13) Cl.** **15-02**
(52) **U.S. Cl.**
USPC **D15/7**
(58) **Field of Classification Search**
USPC D23/231, 232, 225; D15/7-9; D9/425, D9/431, 432
CPC F04B 53/22; F04B 1/0448; F02M 37/04; F02M 37/14; F04D 29/046; F04D 29/2266
See application file for complete search history.

D823,899 S * 7/2018 Alexander D15/7
D823,900 S * 7/2018 Alexander D15/7
D825,615 S * 8/2018 Alexander D15/7
D870,155 S * 12/2019 Alexander D15/7
D879,839 S * 3/2020 Alexander D15/7
D886,870 S * 6/2020 Alexander D15/7
11,092,146 B2 * 8/2021 Alexander F04B 39/121

OTHER PUBLICATIONS

Simpson, AAA Pumps 90038 Horizontal Triplex Plunger Replacement Pressure Washer Pump Kit, (site visited Sep. 7, 2021), Amazon.com, URL:<<https://www.amazon.com/AAA-Technologies-Triplex-Plunger-Pump/dp/B00TQLMPF2/>> (Year: 2021).
Canadian Intellectual Property Office, "Examination Report", issued in connection with Canadian Patent Application No. 200104 dated Apr. 12, 2022, 2 pages.

(Continued)

Primary Examiner — Joseph Kukella
Assistant Examiner — Mark T. Philipps
(74) *Attorney, Agent, or Firm* — Hanley, Flight & Zimmerman, LLC

(57) **CLAIM**

The ornamental design for a "fluid pump," as shown and described in FIGS. 1-5.

DESCRIPTION

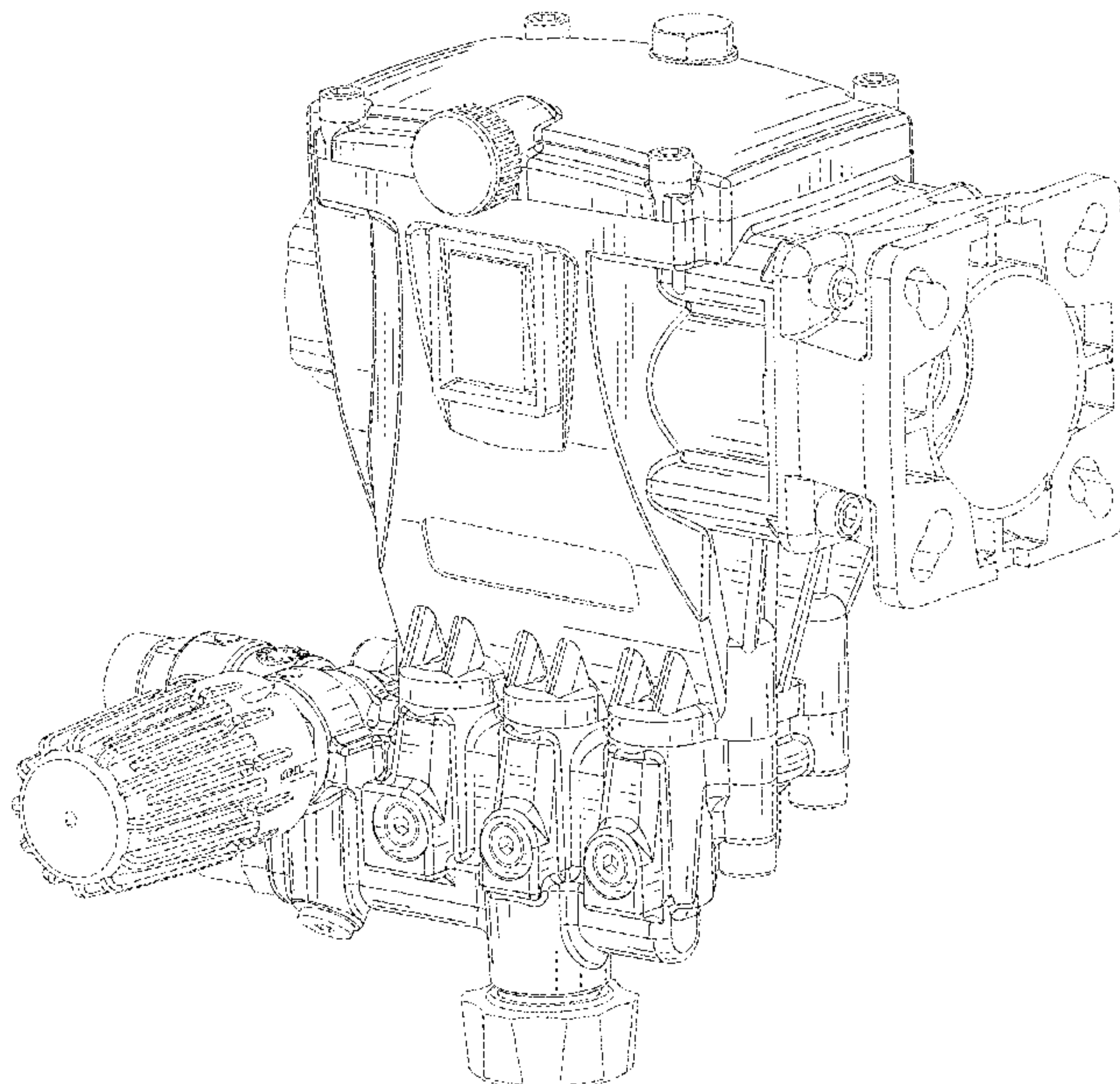
FIG. 1 is a front, right perspective view of a fluid pump. FIG. 2 is a front view of the fluid pump of FIG. 1. FIG. 3 is a rear view of the fluid pump of FIG. 1. FIG. 4 is a right view of the fluid pump of FIG. 1. FIG. 5 is a left view of the fluid pump of FIG. 1. FIG. 6 is a top view of the fluid pump of FIG. 1; and, FIG. 7 is a bottom view of the fluid pump of FIG. 1. The broken lines depict features of the fluid pump that form no part of the claim.

1 Claim, 7 Drawing Sheets

(56) **References Cited**

U.S. PATENT DOCUMENTS

D613,765 S * 4/2010 Reverberi D15/5
D670,312 S * 11/2012 Alexander D15/7
D692,026 S * 10/2013 Alexander D15/7
D699,762 S * 2/2014 Alexander D15/7
D726,225 S * 4/2015 Alexander D15/7
D726,226 S * 4/2015 Alexander D15/7
D768,208 S * 10/2016 Paderni D15/7
D776,720 S * 1/2017 Davalos D15/7
9,677,548 B2 * 6/2017 Paderni F16J 15/002
D823,898 S * 7/2018 Alexander D15/7



(56)

References Cited

OTHER PUBLICATIONS

China National Intellectual Property Administration, “Notification to Grant the Patent Right for Design Application”, issued in connection with Chinese Patent Application No. 202030800842.1 dated Apr. 13, 2021, 2 pages (English Translation Included).

New Zealand Intellectual Property Office, “Design Examination Report”, issued in connection with New Zealand Patent Application No. 428421 dated Jan. 22, 2021, 2 pages.

Mexican Institute of Industrial Property, “Office Action”, issued in connection with Mexican Patent Application No. MX/f/2021/000032 dated Feb. 24, 2022, 12 pages (English Translation Included).

IP Australia, “Certificate of Registration” issued in connection with Australian Patent Application No. 202017128 on Apr. 9, 2021, 9 pages.

New Zealand Intellectual Property Office, “Certificate of Registration”, issued in connection with New Zealand Patent Application No. 428421 on Jan. 6, 2022, 9 pages.

IP Australia, “Formalities Notice No. 1—Requirements for Registration Not Met”, issued in connection with Australian Patent Application No. 202017128 on Feb. 9, 2021, 3 pages.

* cited by examiner

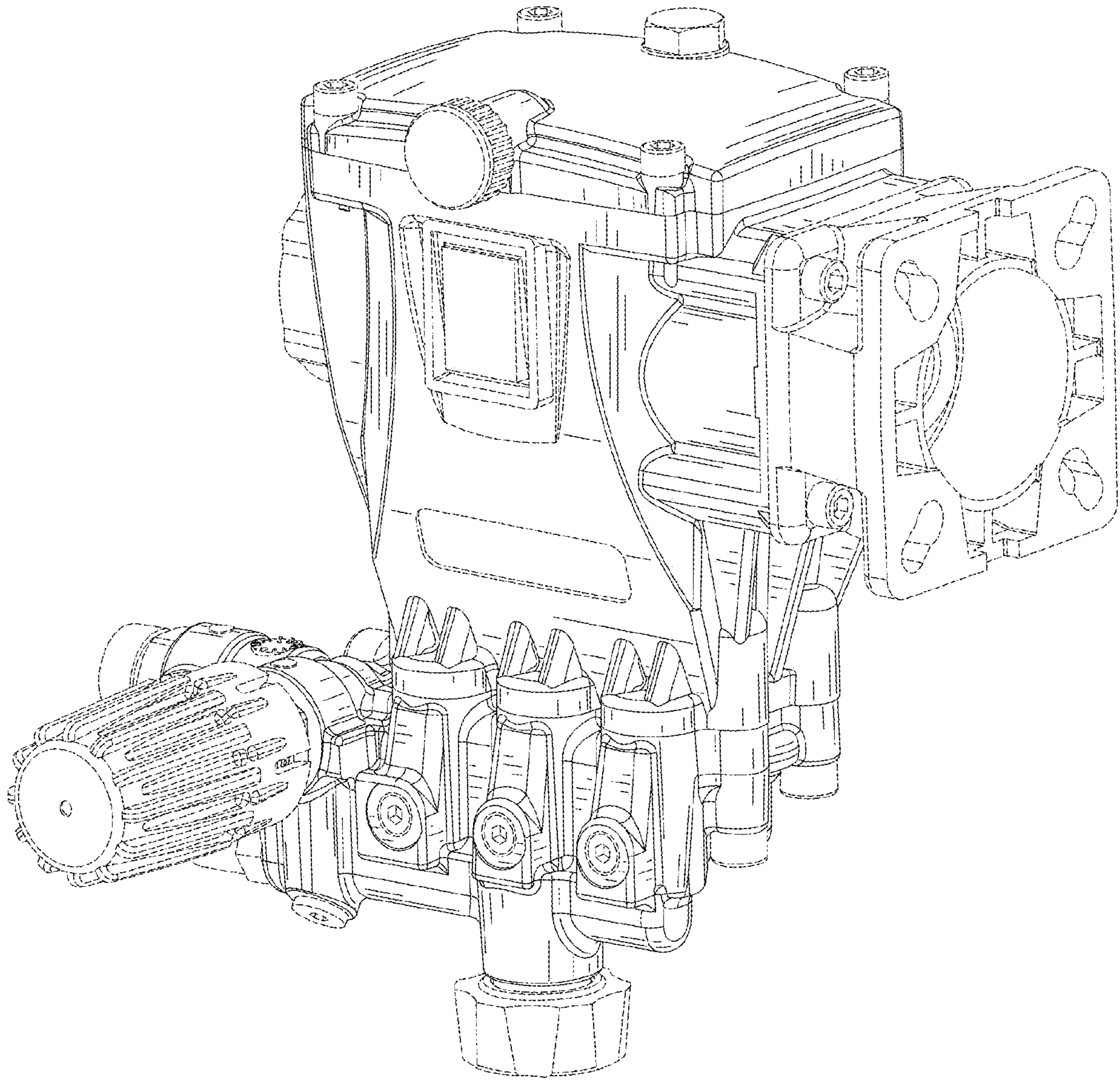


FIG. 1

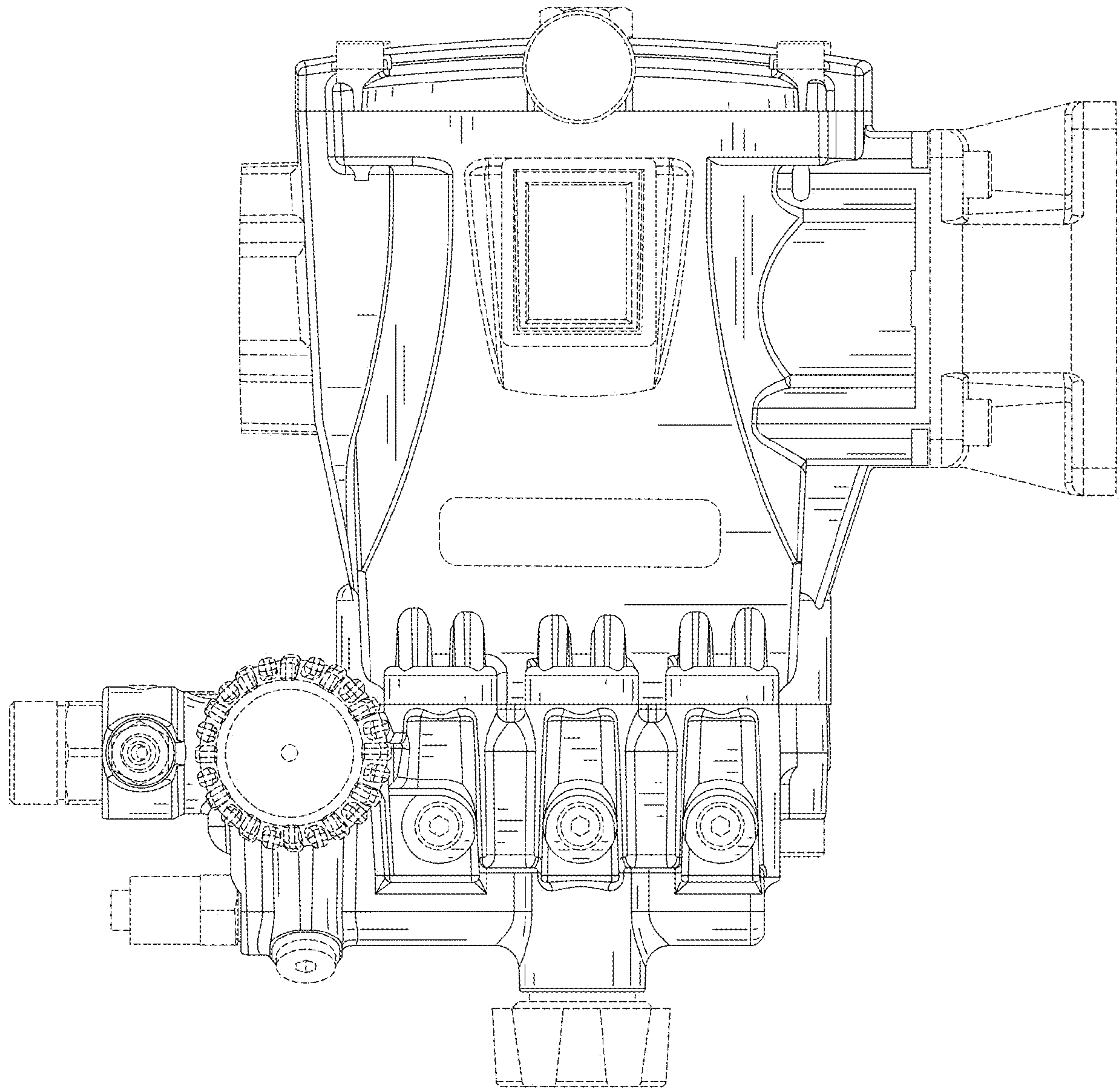


FIG. 2

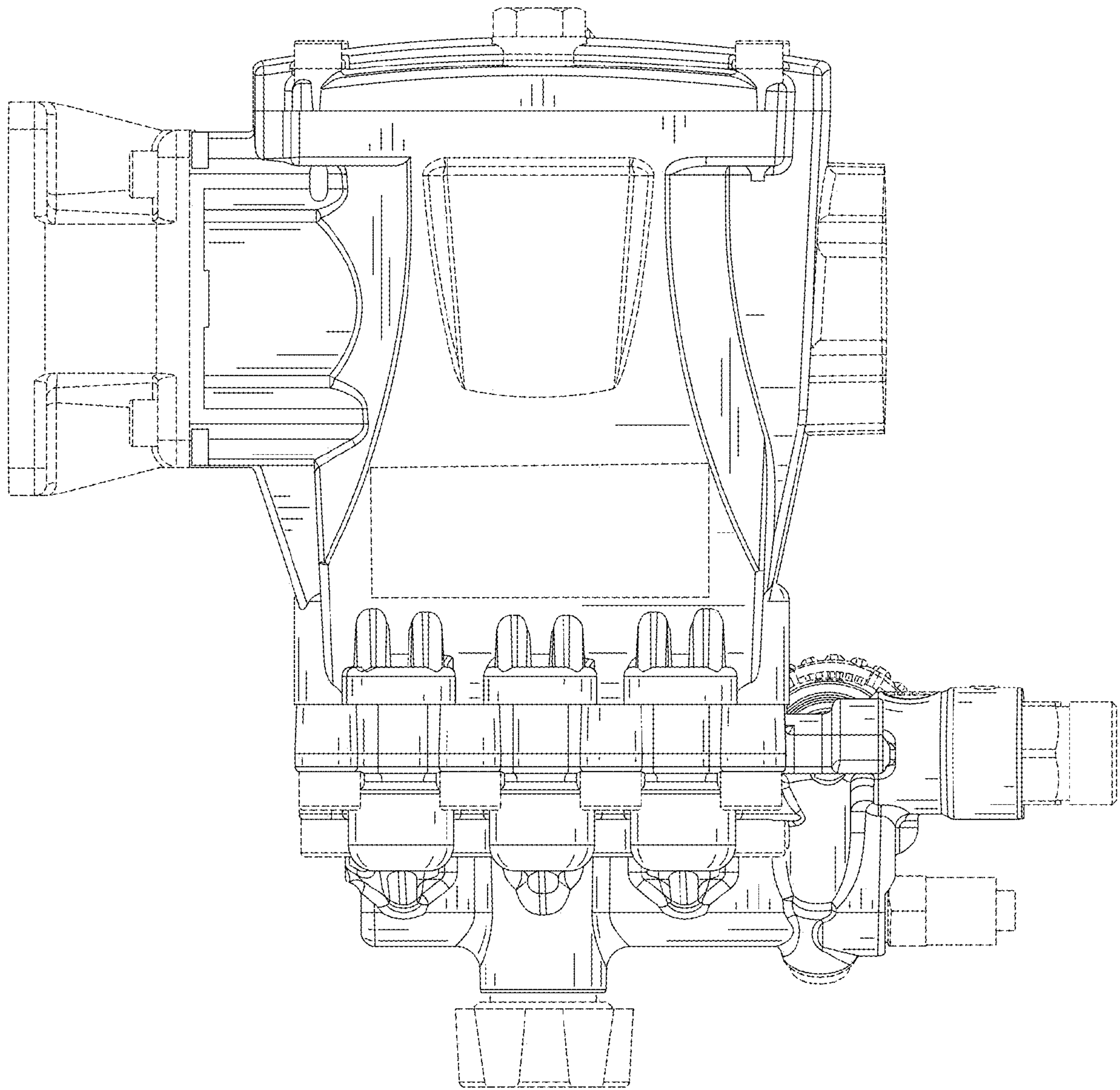


FIG. 3

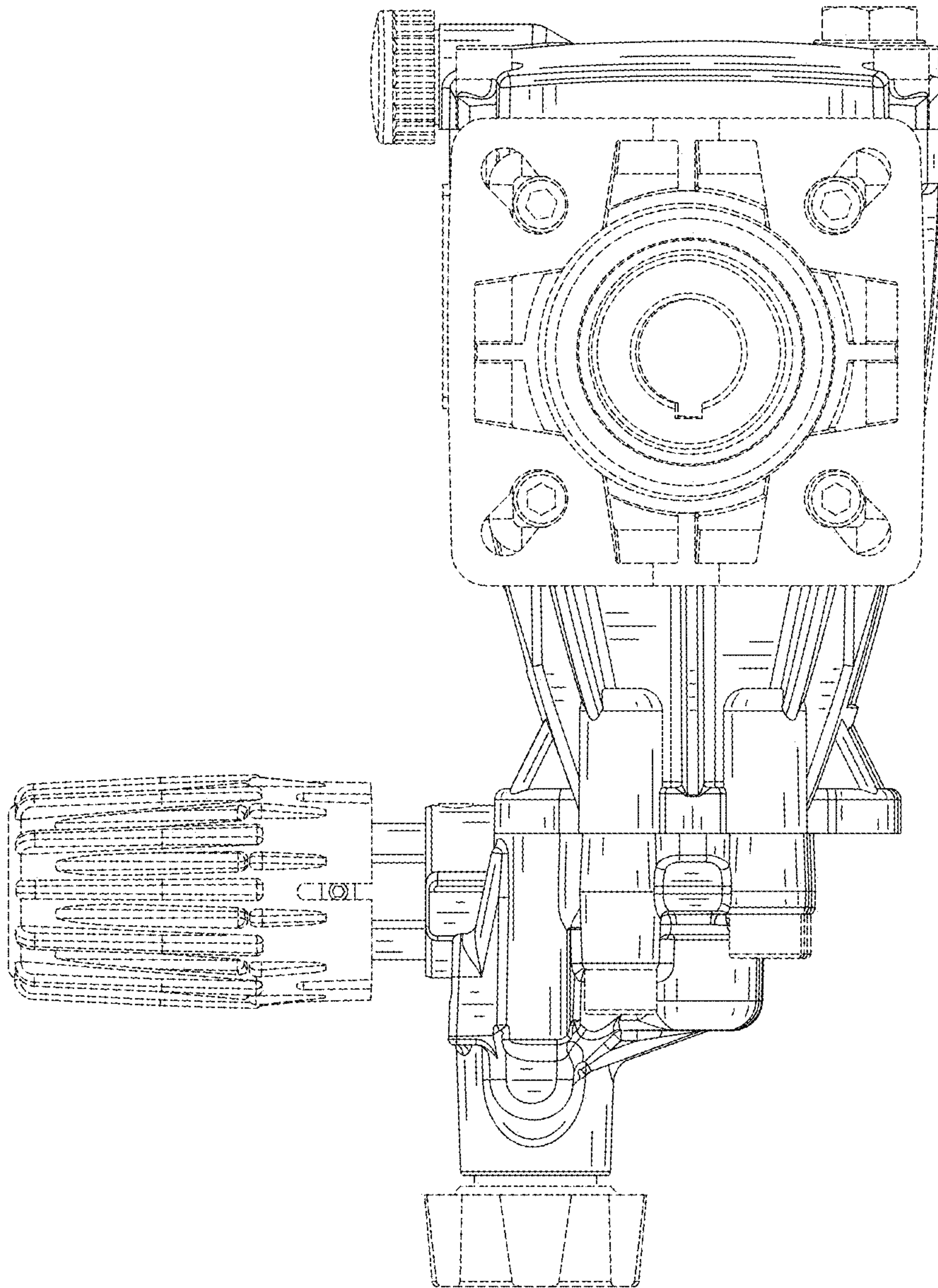


FIG. 4

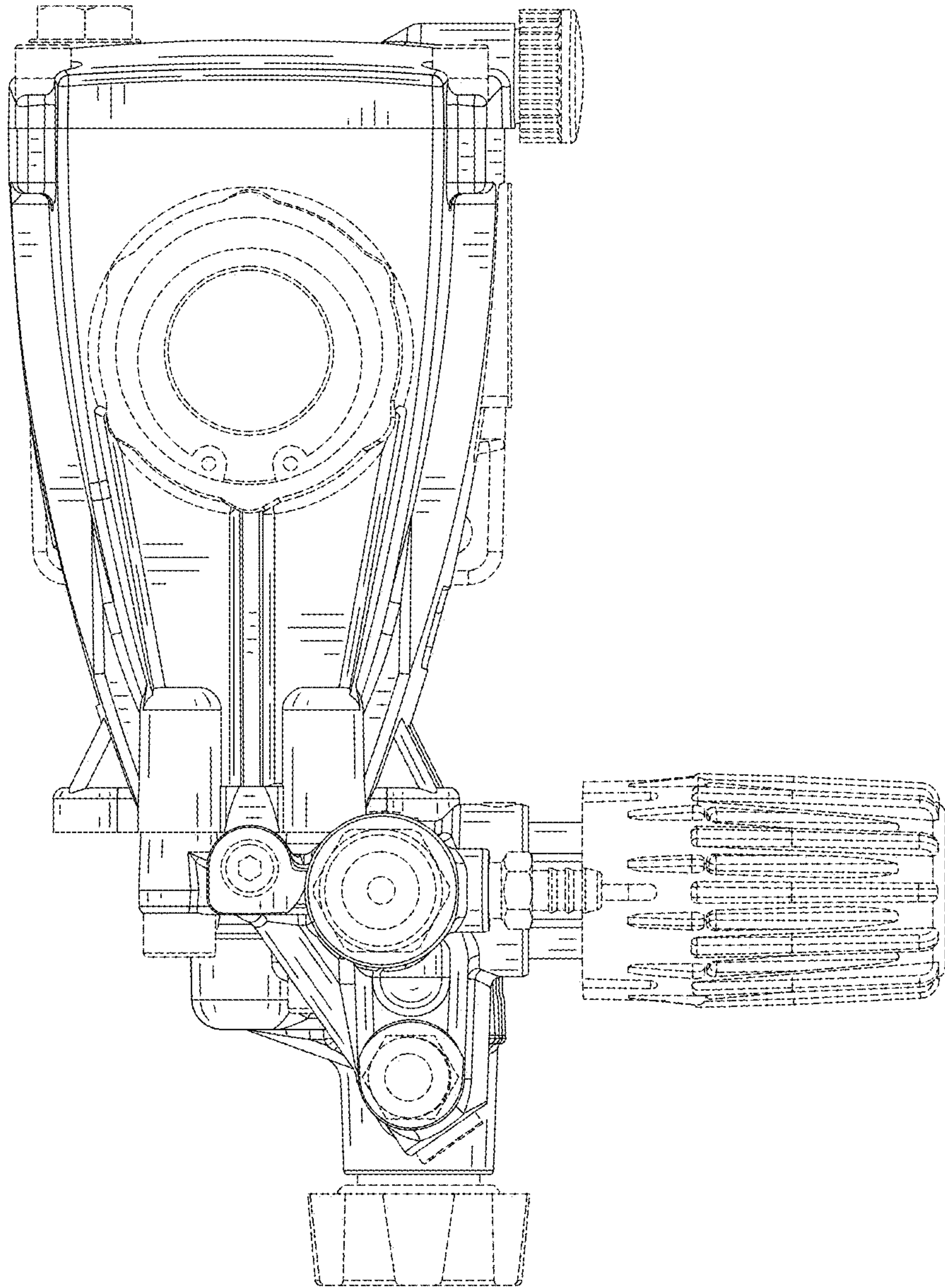


FIG. 5

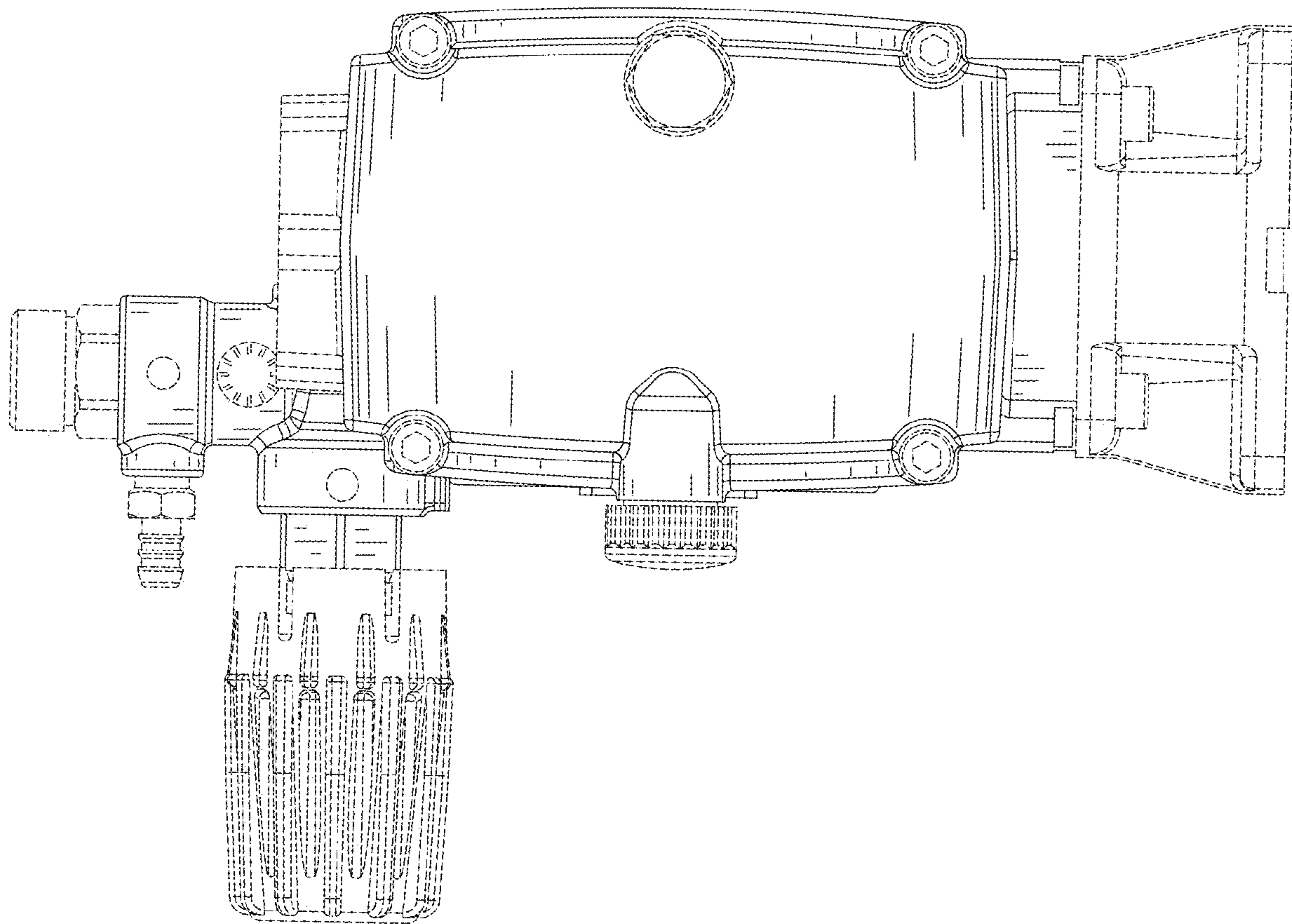


FIG. 6

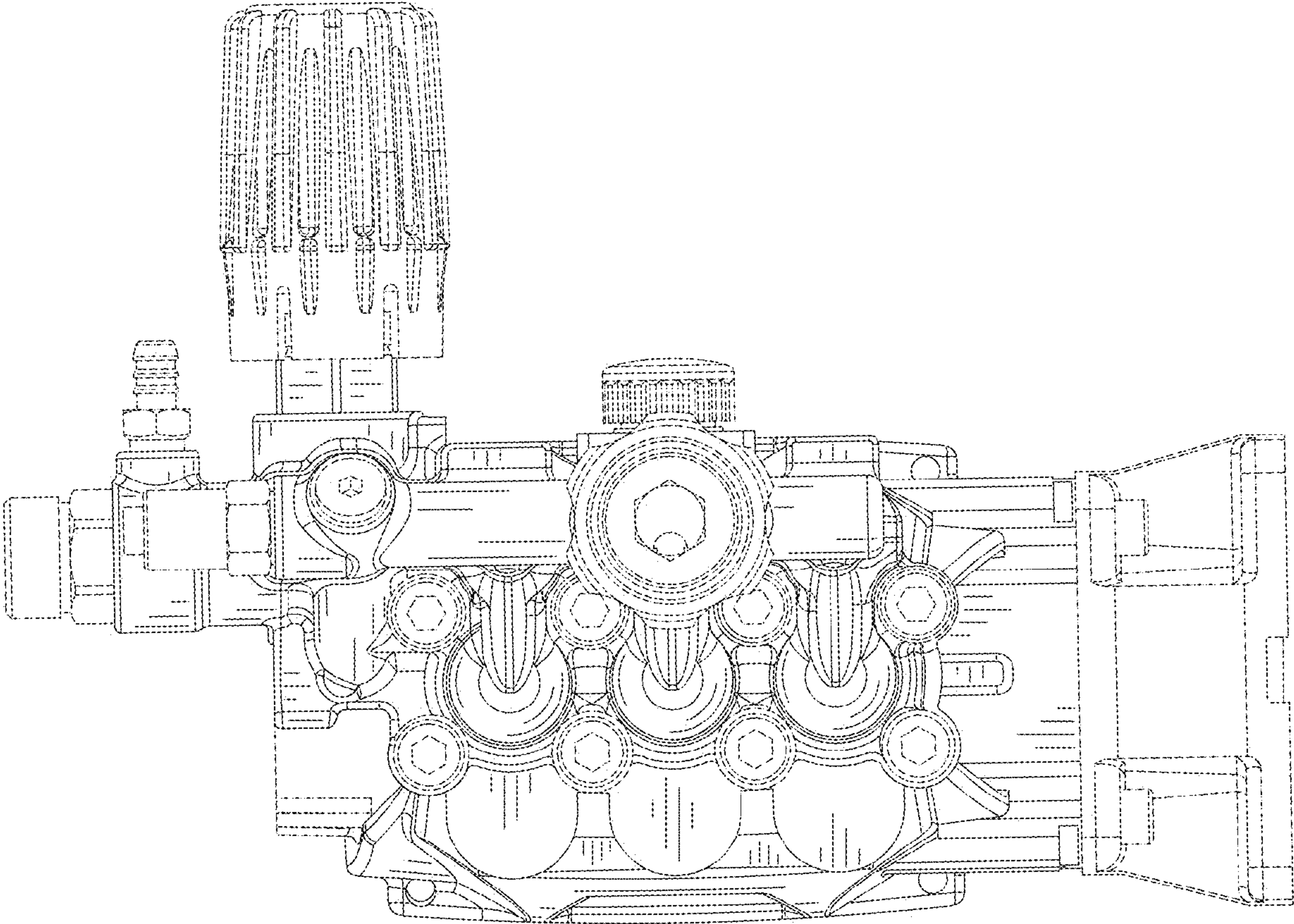


FIG. 7