



US00D970552S

(12) **United States Design Patent** (10) **Patent No.:** **US D970,552 S**  
**Niakan et al.** (45) **Date of Patent:** **\*\* Nov. 22, 2022**

(54) **AIR INTAKE SYSTEM**

(56) **References Cited**

(71) Applicant: **Advanced Flow Engineering, Inc.**,  
Corona, CA (US)

U.S. PATENT DOCUMENTS

(72) Inventors: **Shahriar Nick Niakan**, Anaheim Hills,  
CA (US); **Matthew Thomas Emge**,  
Corona, CA (US)

D886,867	S	*	6/2020	Niakan	.....	D15/5
D886,868	S	*	6/2020	Niakan	.....	D15/5
D911,393	S	*	2/2021	Niakan	.....	D15/5
2014/0116015	A1	*	5/2014	Niakan	.....	F16L 21/002 55/495
2019/0388820	A1	*	12/2019	Niakan	.....	B01D 46/0002
2020/0025162	A1	*	1/2020	Niakan	.....	B01D 46/0012

(73) Assignee: **Advanced Flow Engineering, Inc.**,  
Corona, CA (US)

\* cited by examiner

(\*\*) Term: **15 Years**

*Primary Examiner* — Ania Aman

(21) Appl. No.: **29/808,903**

(74) *Attorney, Agent, or Firm* — Ravi Mohan; Rutan &  
Tucker, LLP

(22) Filed: **Sep. 23, 2021**

(57) **CLAIM**

(51) **LOC (13) Cl.** ..... **15-01**

The ornamental design for a air intake system, as shown and  
described.

(52) **U.S. Cl.**

USPC ..... **D15/5**

**DESCRIPTION**

(58) **Field of Classification Search**

USPC ..... D15/1-5

CPC ..... F02M 35/10091; F02M 35/10222; F02M  
35/10295; F02M 35/10321; F02M  
35/10262; F02M 35/104; F02M  
35/10354; F02M 35/116; F02M  
35/10052; F02M 35/10078; F02M  
35/112; F02M 35/10085; F02M 31/00;  
F02M 31/04; F02M 31/042; F02M  
31/045; F02M 31/047; F02M 31/093;  
F02M 35/10144; F02M 35/10039; F02M  
35/10347; F02M 35/10334; F02M 35/00;  
F02M 35/10; F02M 35/10026; F02M  
35/044

FIG. 1 is a top, front, left side perspective view of the air  
intake system;

FIG. 2 is a top, front, right side perspective view;

FIG. 3 is a front elevation view thereof;

FIG. 4 is a rear elevation view thereof;

FIG. 5 is a left side elevation view thereof;

FIG. 6 is a right side elevation view thereof; and

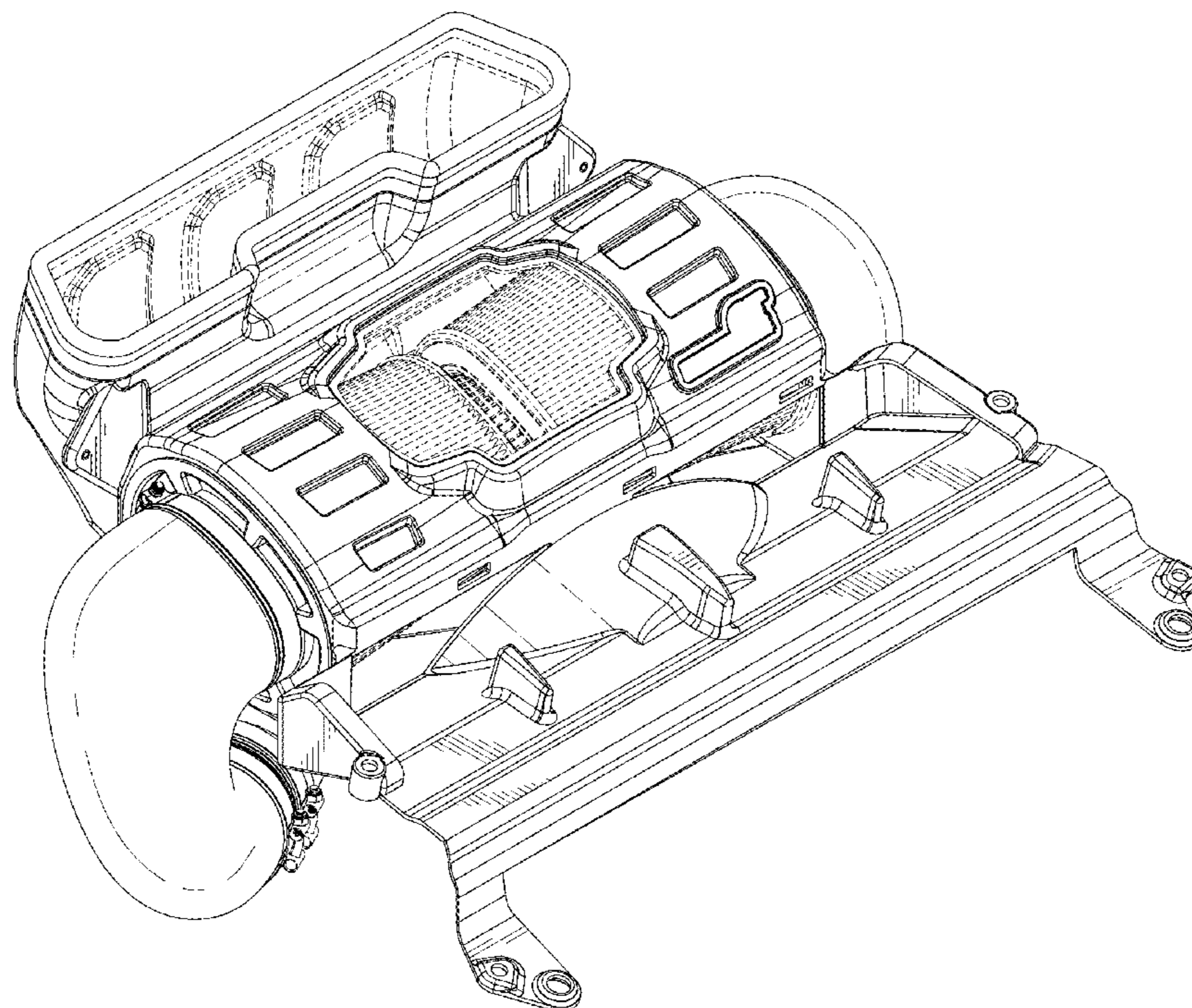
FIG. 7 is a top plan view thereof; and,

FIG. 8 is a bottom plan view thereof.

The broken lines shown in the drawings are for the purpose  
of illustrating portions of the air intake system and form no  
part of the claimed design.

See application file for complete search history.

**1 Claim, 7 Drawing Sheets**



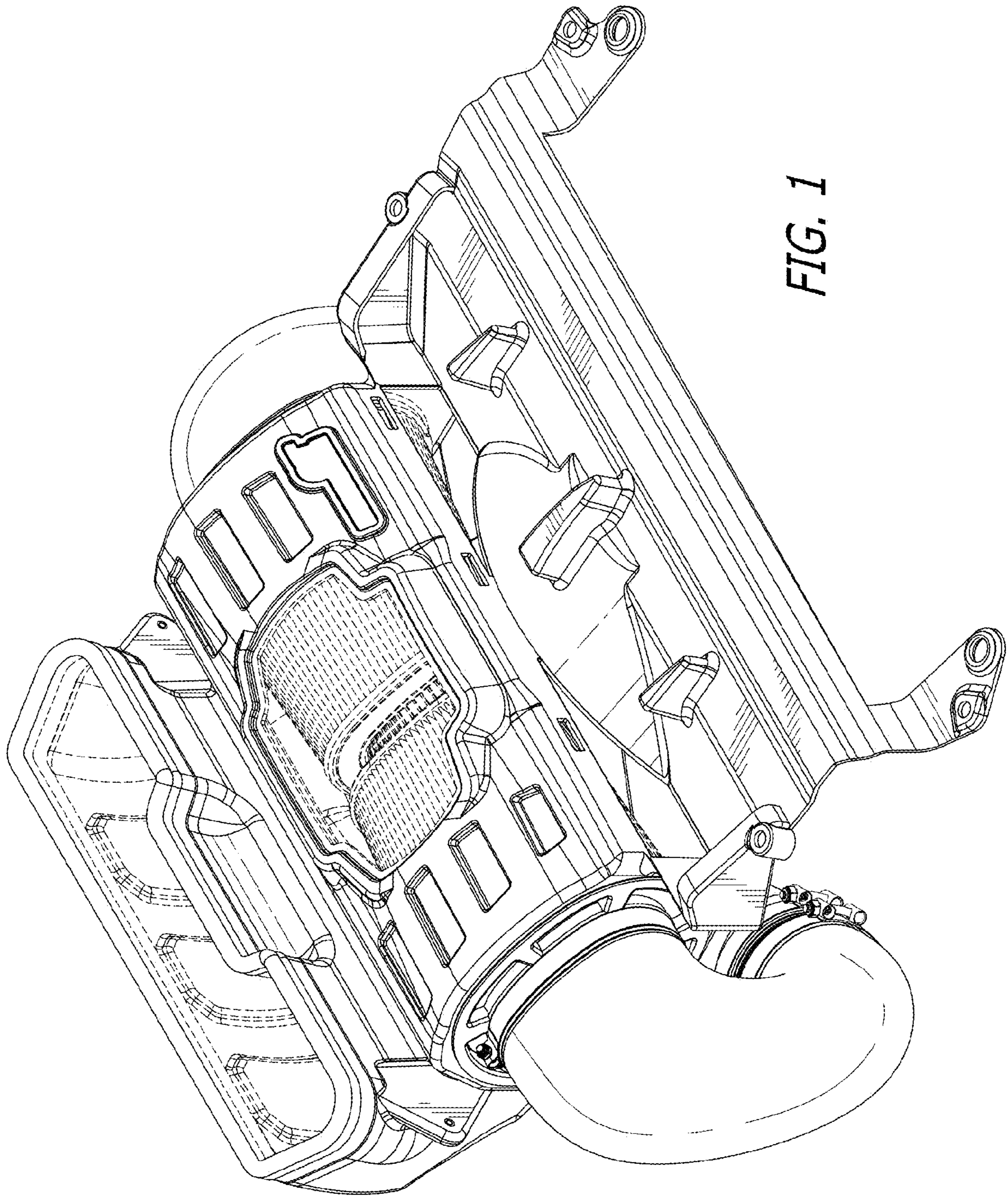


FIG. 1

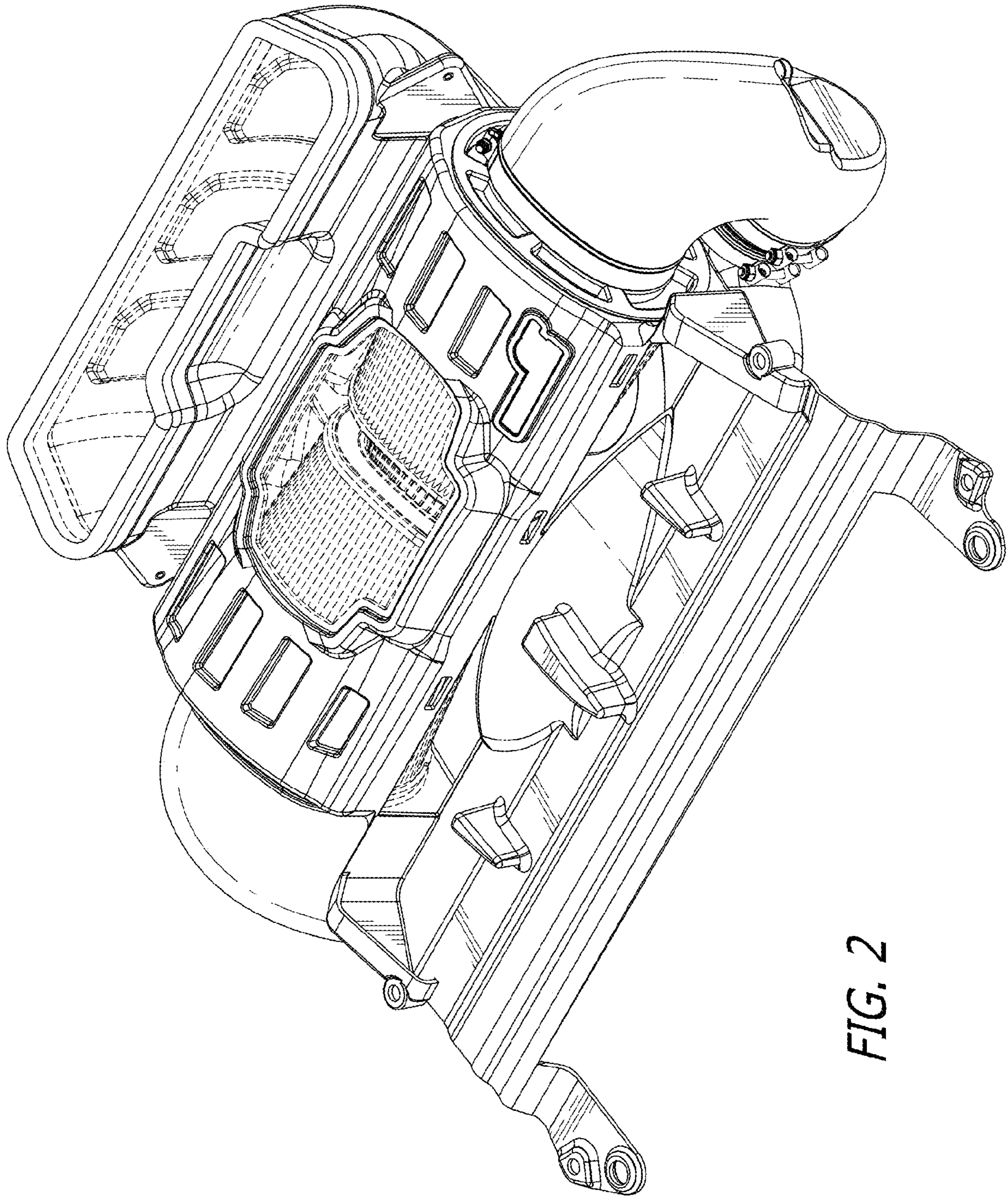


FIG. 2

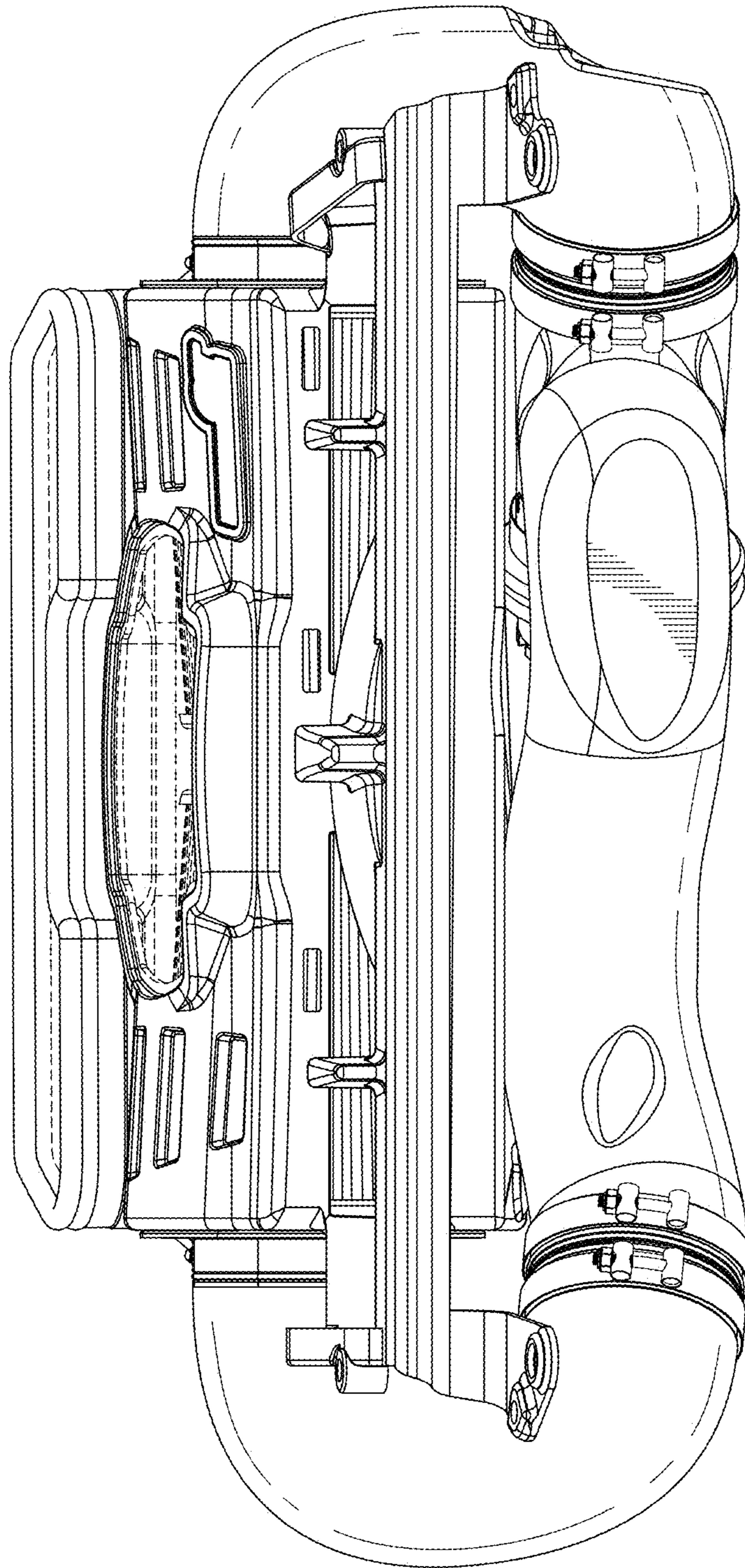


FIG. 3

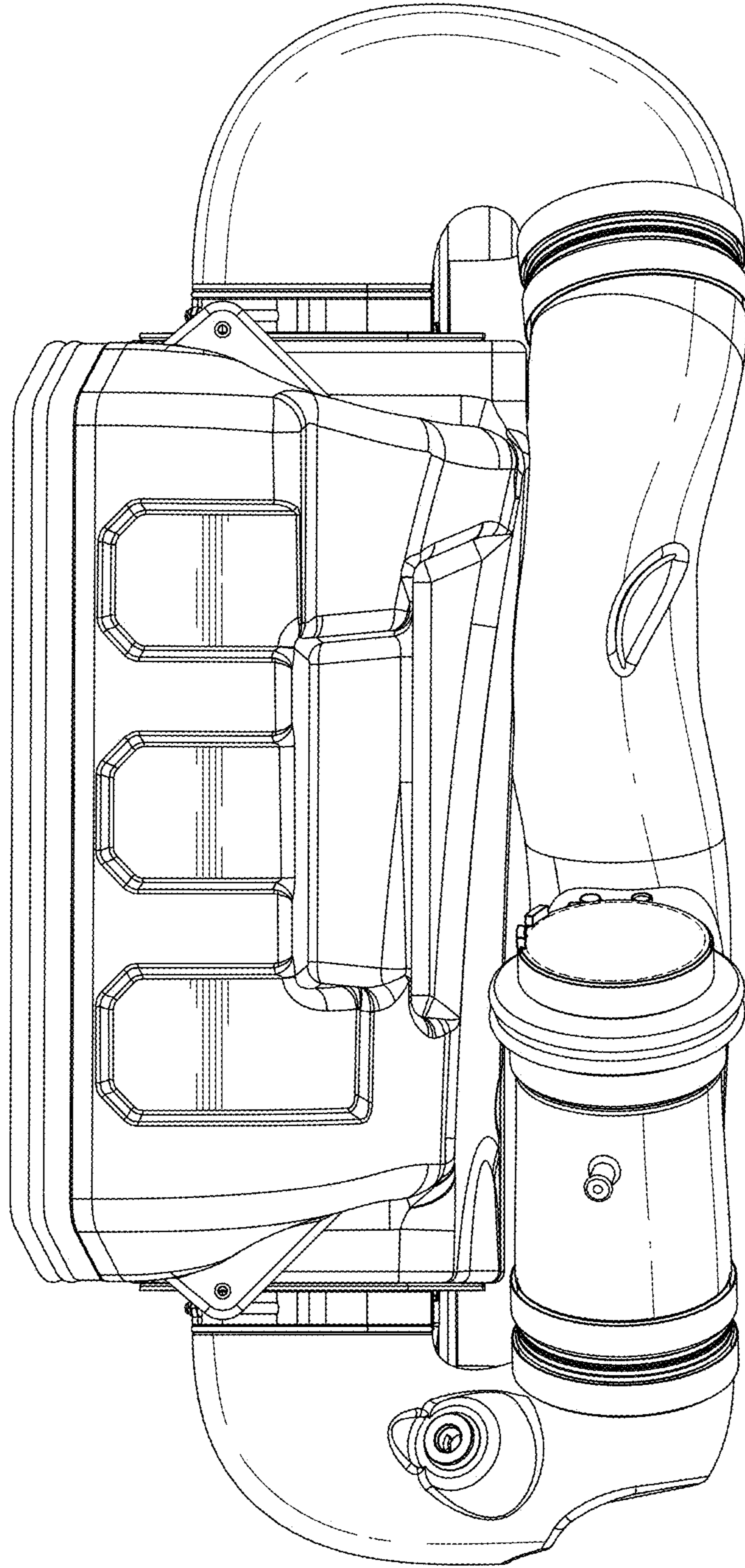
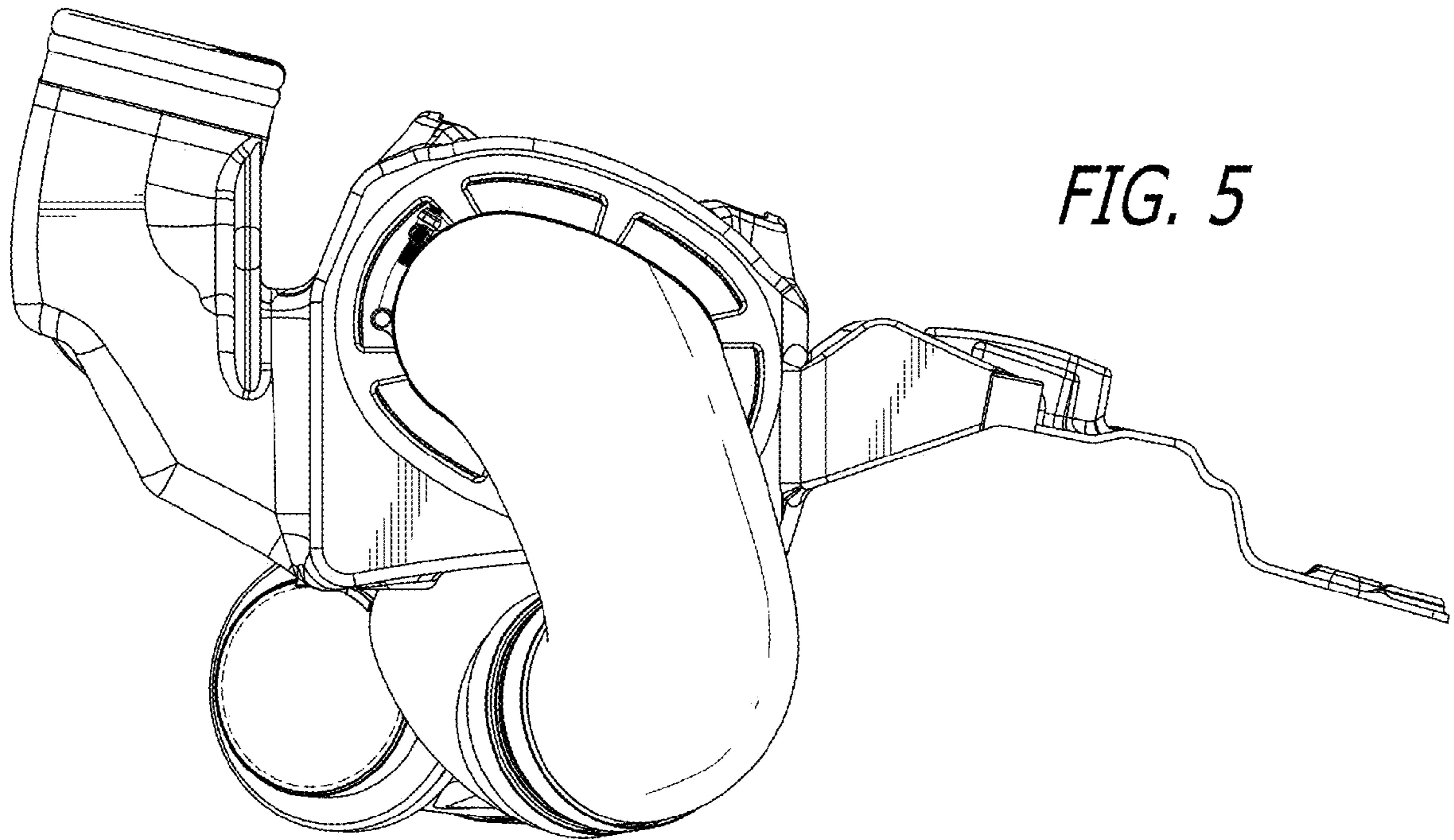
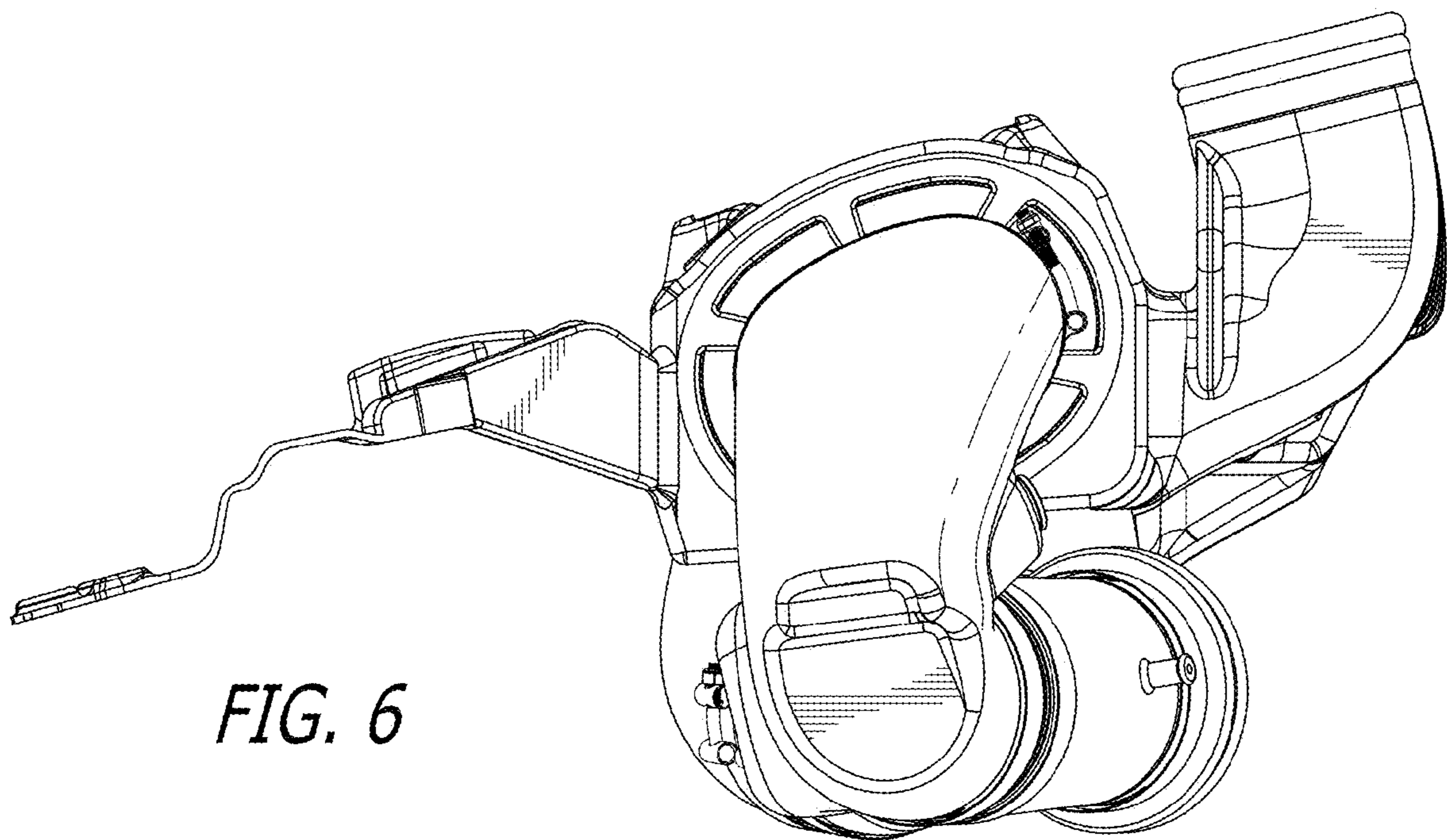


FIG. 4

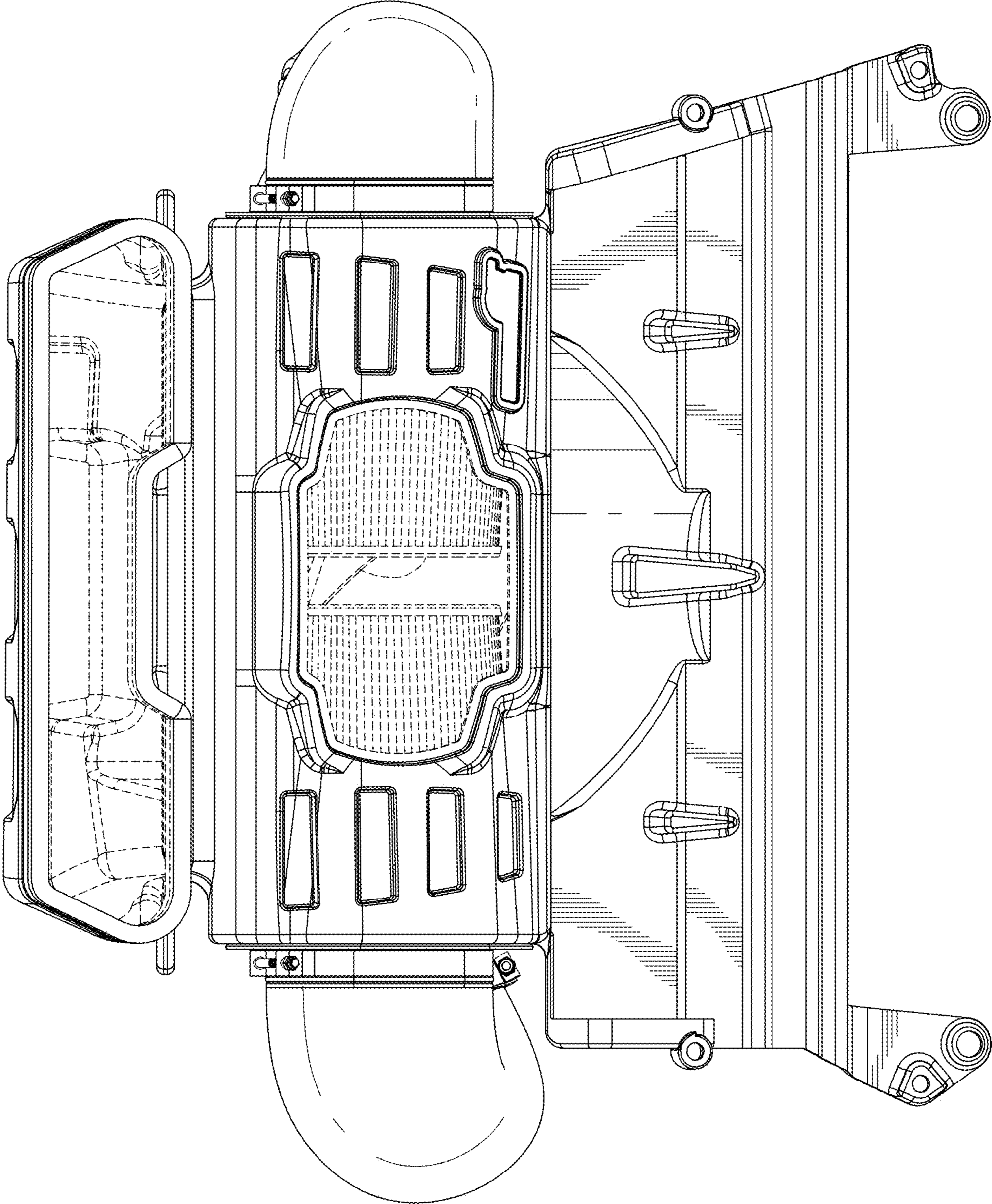


*FIG. 5*



*FIG. 6*

FIG. 7



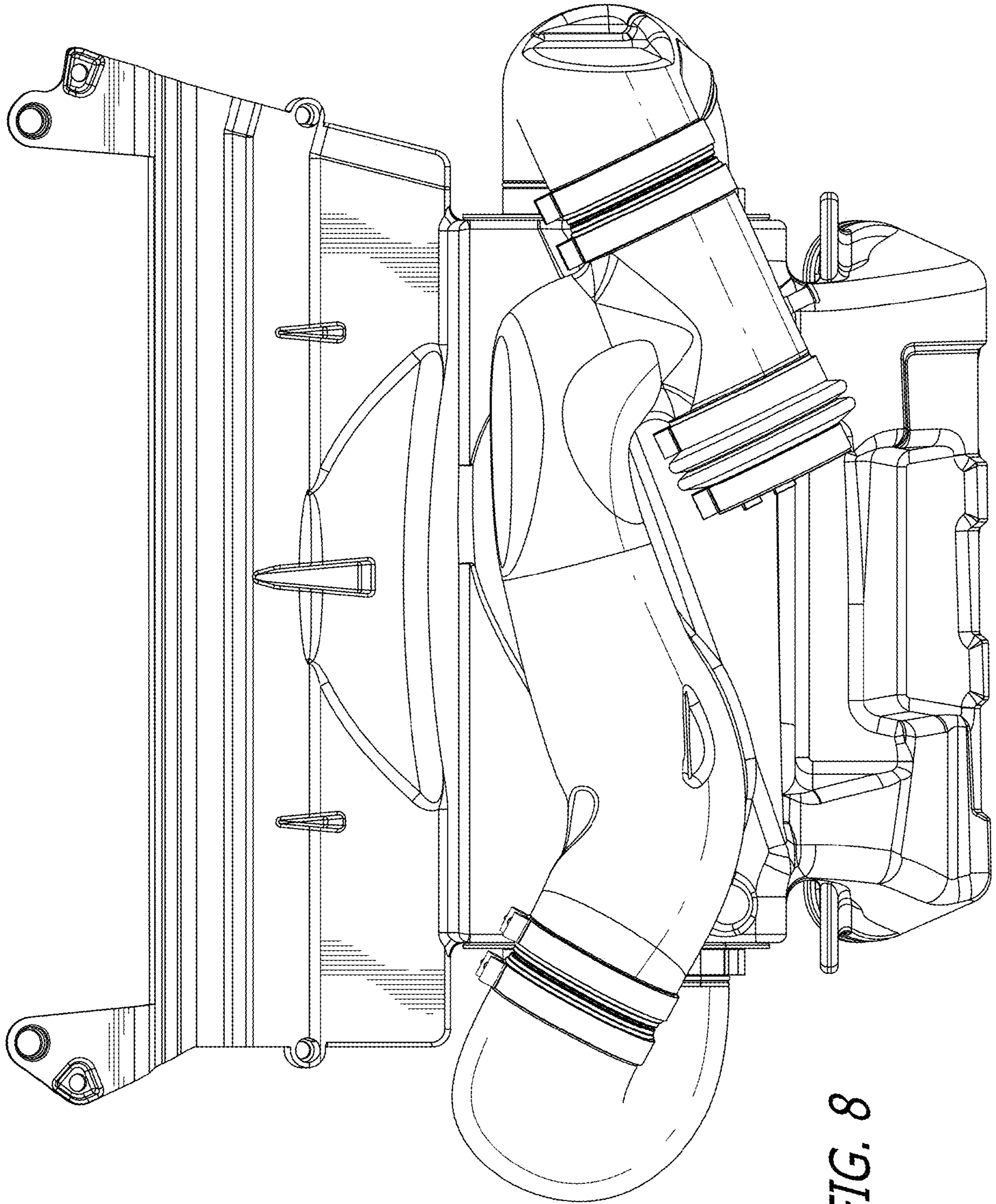


FIG. 8