



US00D970547S

(12) **United States Design Patent** (10) **Patent No.:** **US D970,547 S**  
**Jansen et al.** (45) **Date of Patent:** **\*\* Nov. 22, 2022**

(54) **DISPLAY SCREEN OR PORTION THEREOF WITH ANIMATED GRAPHICAL USER INTERFACE**

FOREIGN PATENT DOCUMENTS

CN 307417276 \* 6/2022

(71) Applicant: **KONINKLIJKE PHILIPS N.V.**,  
Eindhoven (NL)

OTHER PUBLICATIONS

(72) Inventors: **Johannes Antonius Jansen**, Utrecht (NL); **Riccardo Vescovo**, Amsterdam (NL)

“Waterdrop GIF” Mar. 1, 2016, WordPress, site visited Oct. 27, 2021: <https://memesahib.wordpress.com/2016/03/01/waterdrop-gif/> (Year: 2016).\*

(Continued)

(73) Assignee: **KONINKLIJKE PHILIPS N.V.**,  
Eindhoven (NL)

*Primary Examiner* — Katherine A Holbrow  
*Assistant Examiner* — Christopher M Spivey

(\*\*) Term: **15 Years**

(57) **CLAIM**

(21) Appl. No.: **29/836,476**

The ornamental design for a display screen or portion thereof with animated graphical user interface, as shown and described.

(22) Filed: **Apr. 27, 2022**

**Related U.S. Application Data**

(62) Division of application No. 29/726,209, filed on Mar. 2, 2020.

**DESCRIPTION**

(30) **Foreign Application Priority Data**

Sep. 2, 2019 (EM) ..... 006807731

(51) **LOC (13) Cl.** ..... **14-04**

(52) **U.S. Cl.**  
USPC ..... **D14/489**

(58) **Field of Classification Search**  
USPC ..... D14/485–495; D10/50; D18/27;  
D20/23; D24/186

(Continued)

FIG. 1 is a front view of a first embodiment showing a first image in a sequence of a display screen or portion thereof with animated graphical user interface, showing our new design;  
FIG. 2 is a front view of a second image thereof;  
FIG. 3 is a front view of a third image thereof;  
FIG. 4 is a front view of a fourth image thereof;  
FIG. 5 is a front view of a fifth image thereof;  
FIG. 6 is a front view of a sixth image thereof;  
FIG. 7 is a front view of a seventh image thereof;  
FIG. 8 is a front view of a second embodiment showing a first image in a sequence of a display screen or portion thereof with animated graphical user interface;  
FIG. 9 is a front view of a second image thereof;  
FIG. 10 is a front view of a third image thereof;  
FIG. 11 is a front view of a fourth image thereof;  
FIG. 12 is a front view of a fifth image thereof;  
FIG. 13 is a front view of a sixth image thereof; and,  
FIG. 14 is a front view of a seventh image thereof.

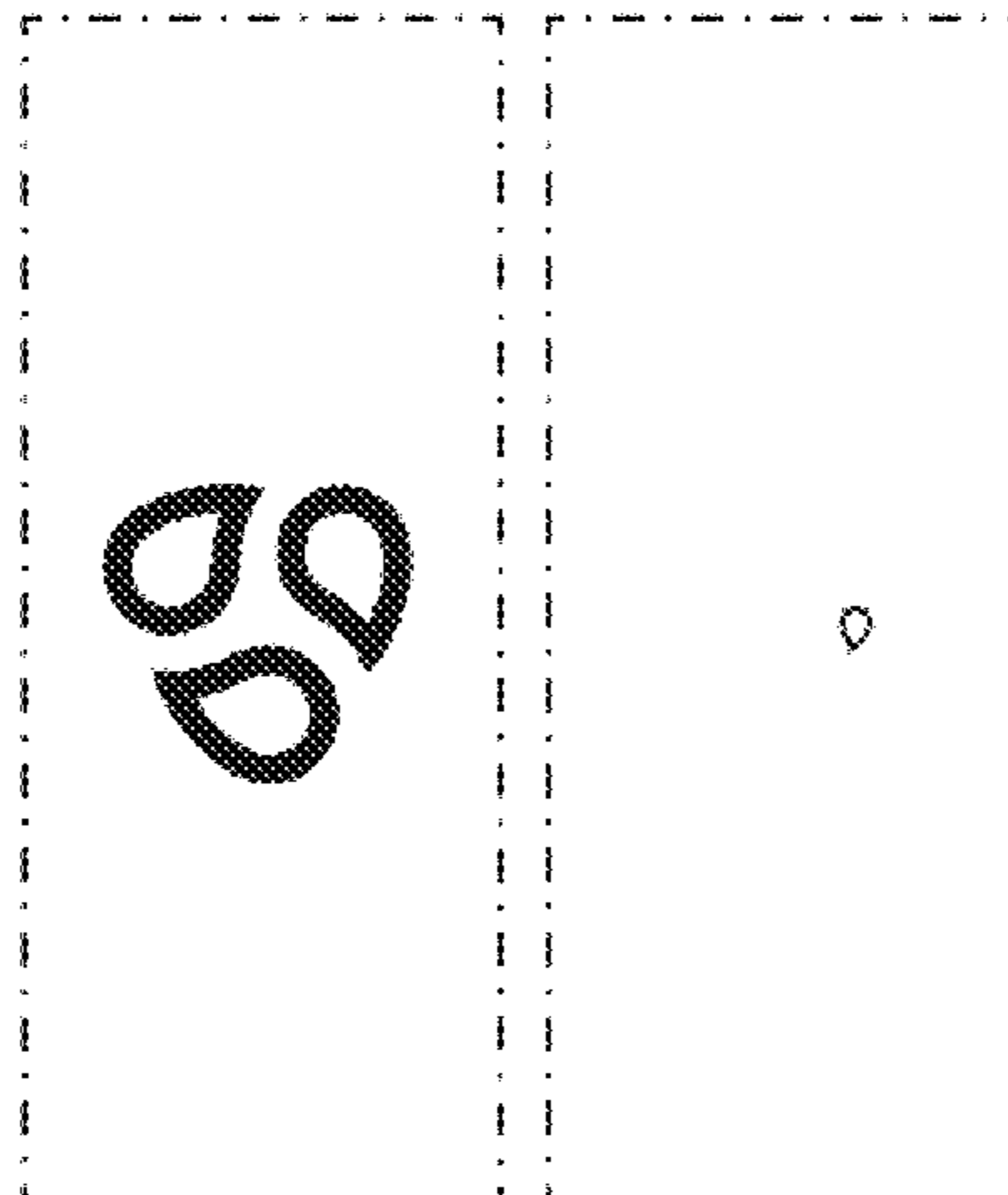
(Continued)

(56) **References Cited**

**U.S. PATENT DOCUMENTS**

D127,348 S \* 5/1941 Gayda ..... D20/23  
6,246,411 B1 \* 6/2001 Strauss ..... G06F 3/0486  
715/769

(Continued)



The broken line showing a display screen in FIGS. 1-7, and the outer broken line showing a device, and the inner broken line showing a display screen in FIGS. 8-14 form no part of the claimed design.

**1 Claim, 9 Drawing Sheets**

**(58) Field of Classification Search**

CPC ... G16H 10/40; G06F 3/0482; G06F 3/04817; G06F 3/0484; G06F 3/0486; G06F 3/0487; G06F 1/163; G06F 21/36; A01G 25/165; A01G 25/167; A63B 24/00; B67D 1/0894; B67D 1/0888; D06F 34/32; D06F 34/28; F25D 2400/361; G01N 33/66; G05B 2219/2625; Y10T 137/1866

See application file for complete search history.

**(56) References Cited**

U.S. PATENT DOCUMENTS

D636,405 S \* 4/2011 Mays ..... D14/495  
 D674,405 S \* 1/2013 Guastella ..... D14/488

D700,617 S \* 3/2014 Brinda ..... D14/485  
 D711,921 S \* 8/2014 Penico ..... D14/492  
 D712,920 S \* 9/2014 Sloo ..... D14/487  
 D716,340 S \* 10/2014 Bresin ..... D14/488  
 D737,320 S \* 8/2015 McCormick ..... D14/489  
 D841,660 S \* 2/2019 Mercado ..... D14/485  
 D864,983 S \* 10/2019 Lee ..... D14/486  
 10,796,797 B2 \* 10/2020 Guthrie ..... G06F 3/04847  
 D930,665 S \* 9/2021 Traylor ..... D14/485  
 D952,649 S \* 5/2022 Jansen ..... D14/485  
 D957,411 S \* 7/2022 Zhang ..... D14/490  
 2004/0134238 A1 \* 7/2004 Buckroyd ..... D06F 34/32  
 68/12.23  
 2012/0056827 A1 \* 3/2012 Kim ..... D06F 33/30  
 345/173  
 2015/0370468 A1 \* 12/2015 Kazi ..... H04L 67/10  
 715/211

OTHER PUBLICATIONS

“Xiaomi Mijia S500 Smart Shaver | Unboxing & First Impression”  
 Jan. 5, 2020, YouTube, site visited Oct. 27, 2021: <https://www.youtube.com/watch?v=JoJ-2n5U97A&t=125s> (Year: 2020).\*

\* cited by examiner



FIG. 1

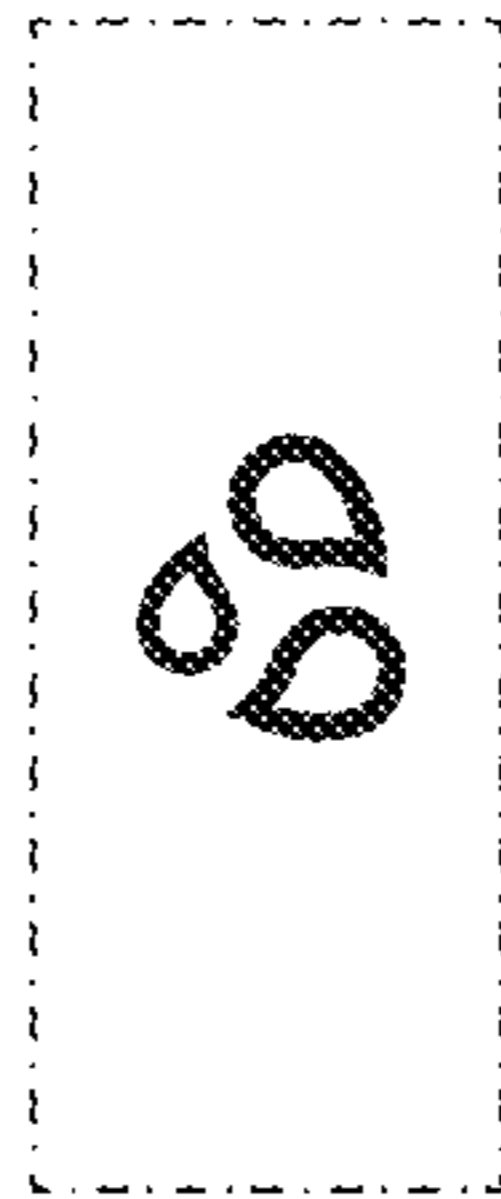


FIG. 2

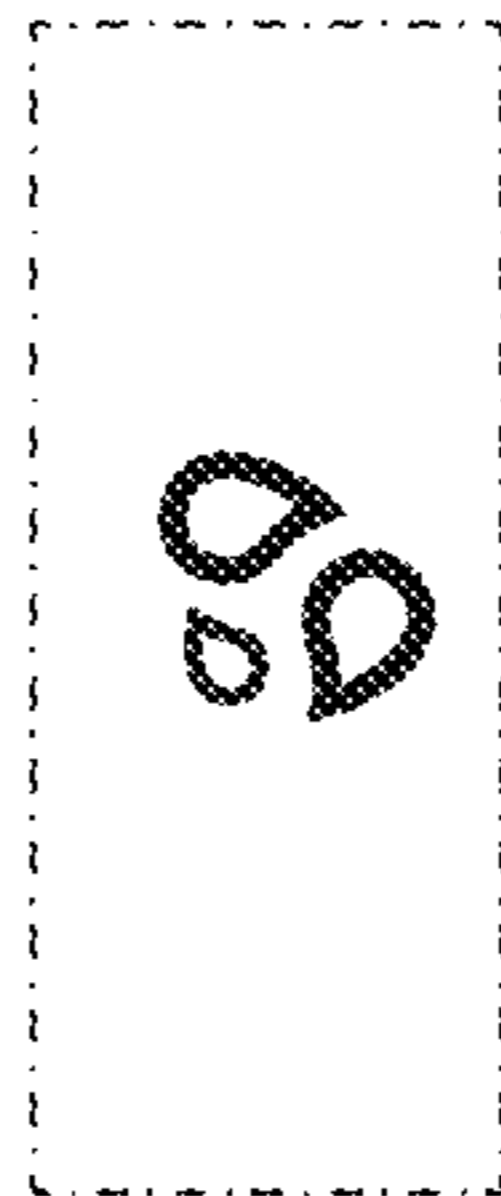


FIG. 3



FIG. 4

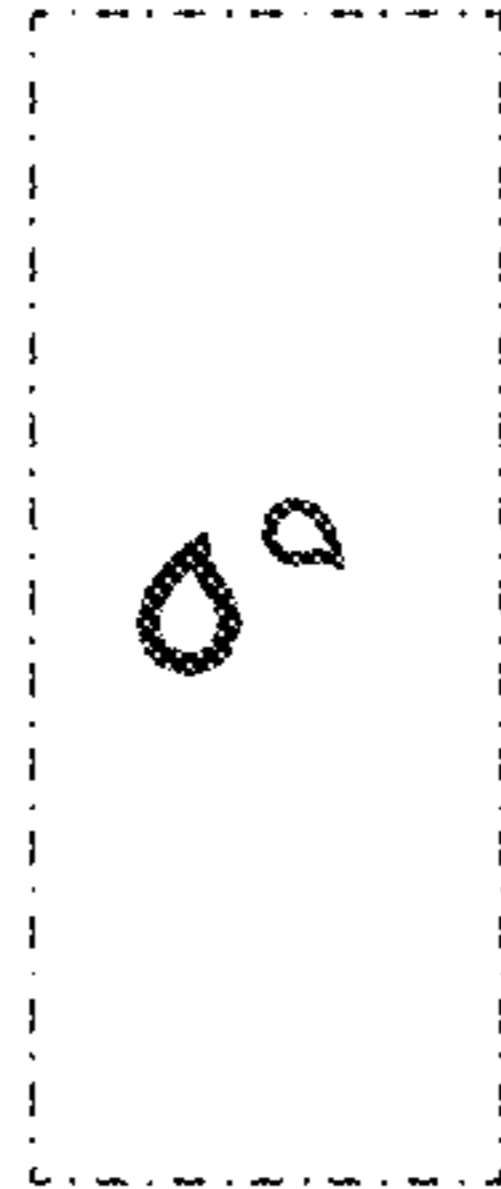


FIG. 5

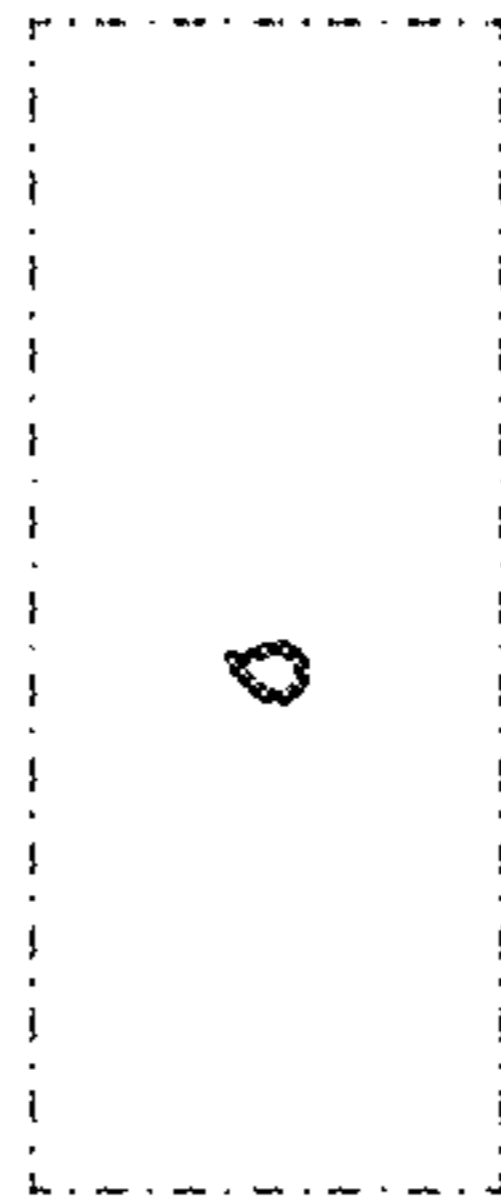


FIG. 6

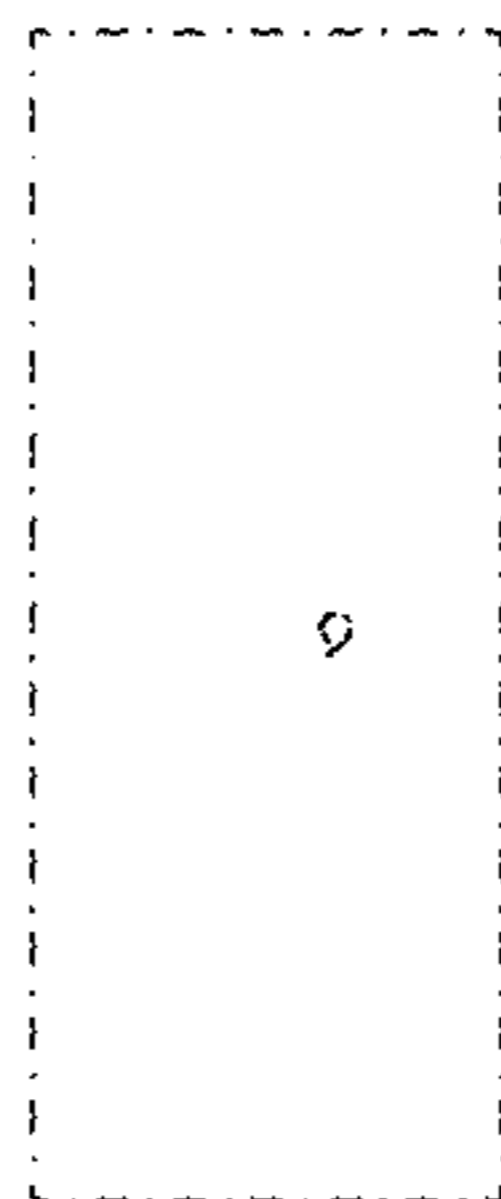


FIG. 7

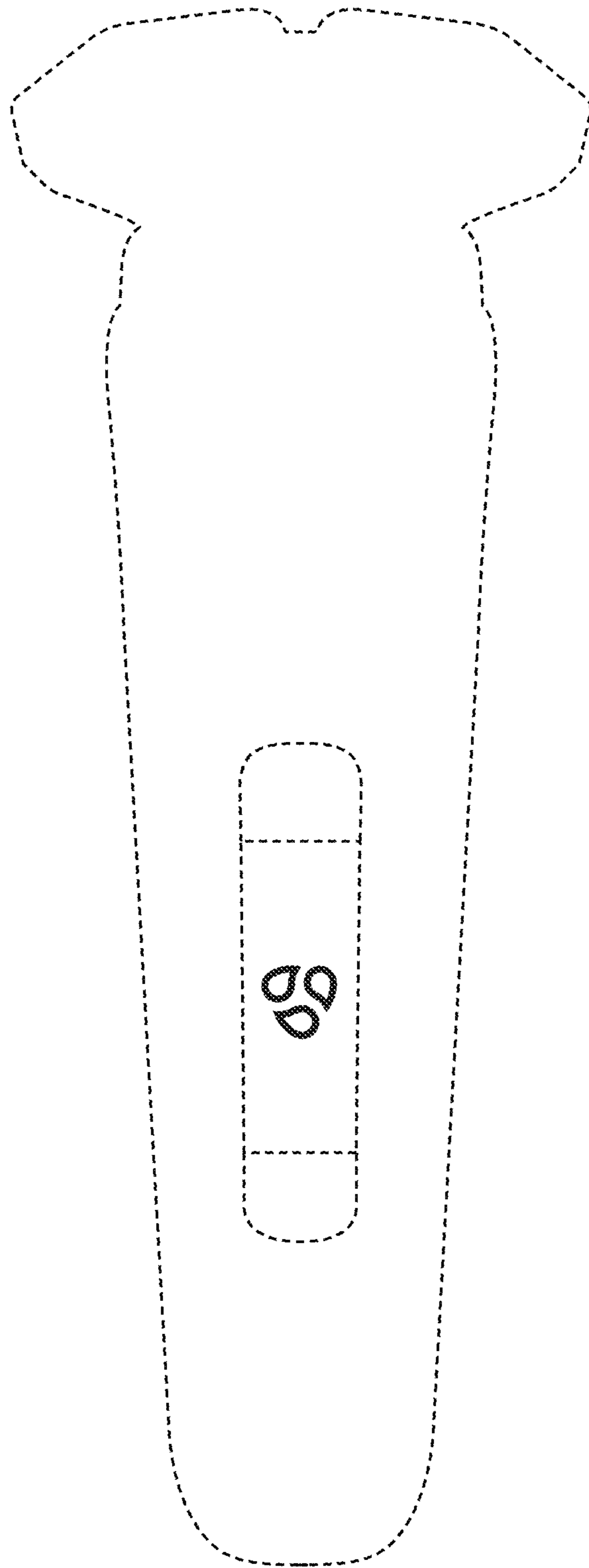


FIG. 8

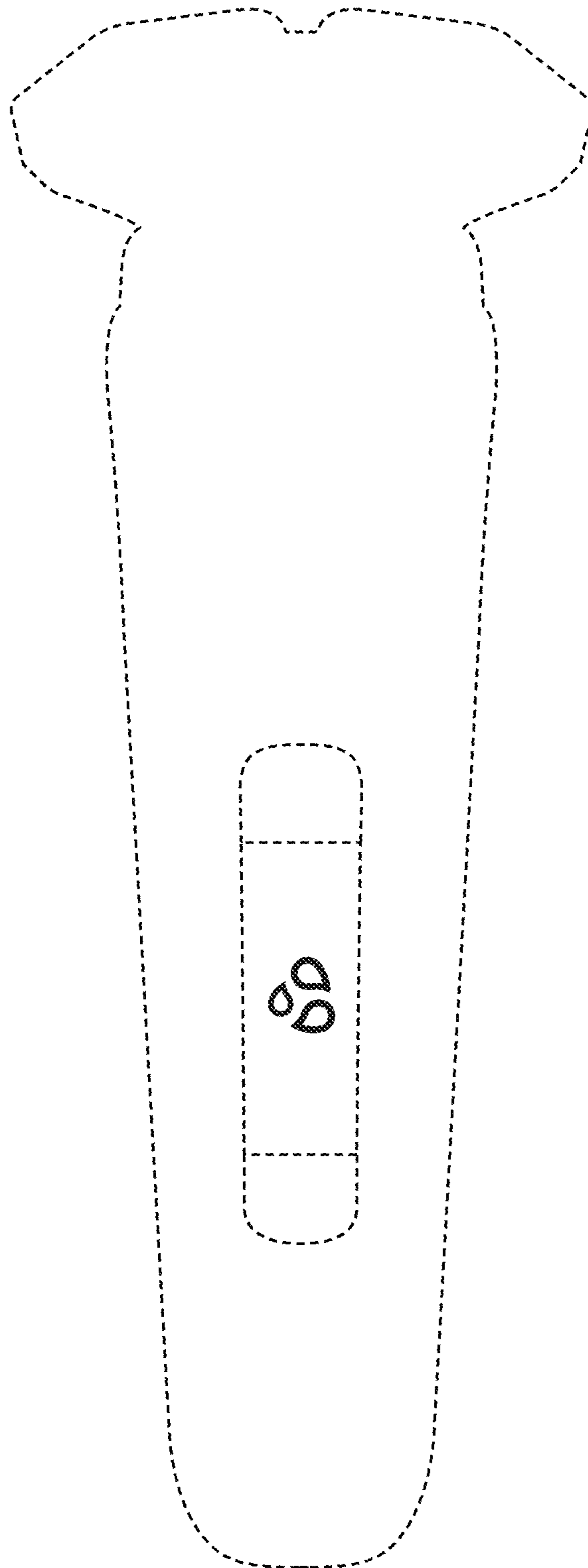


FIG. 9

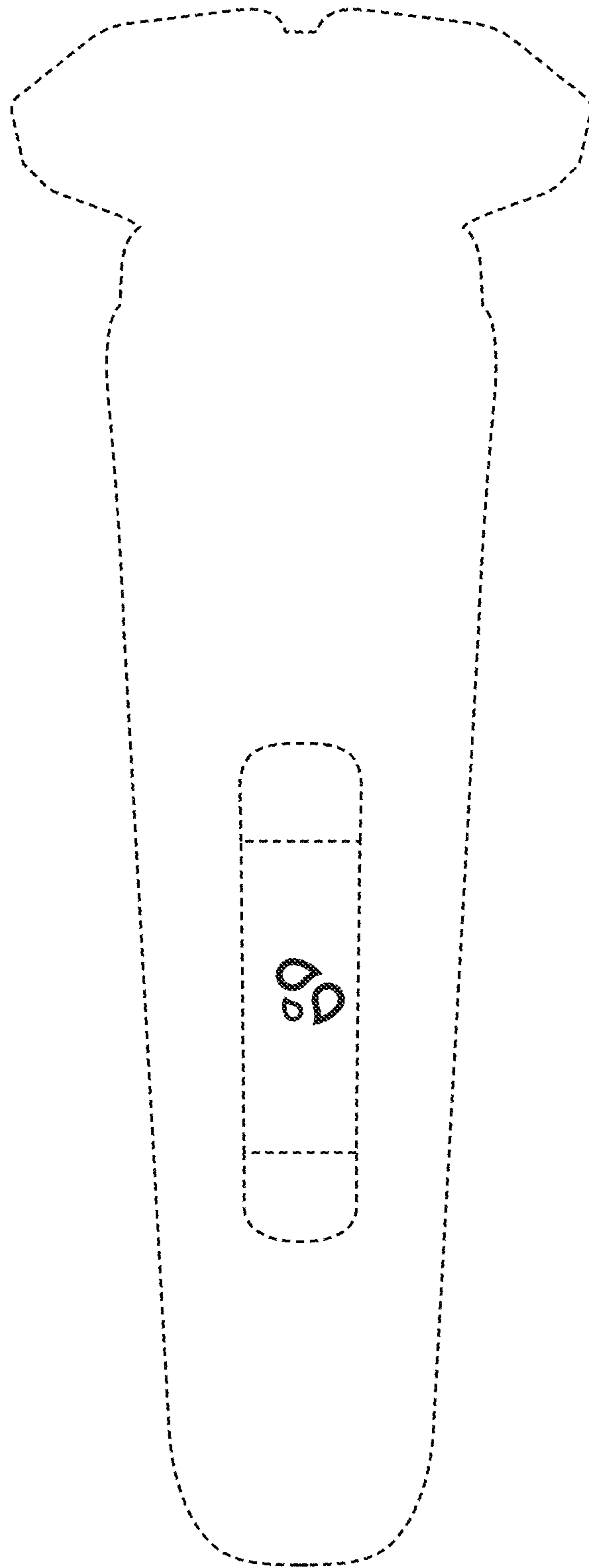


FIG. 10

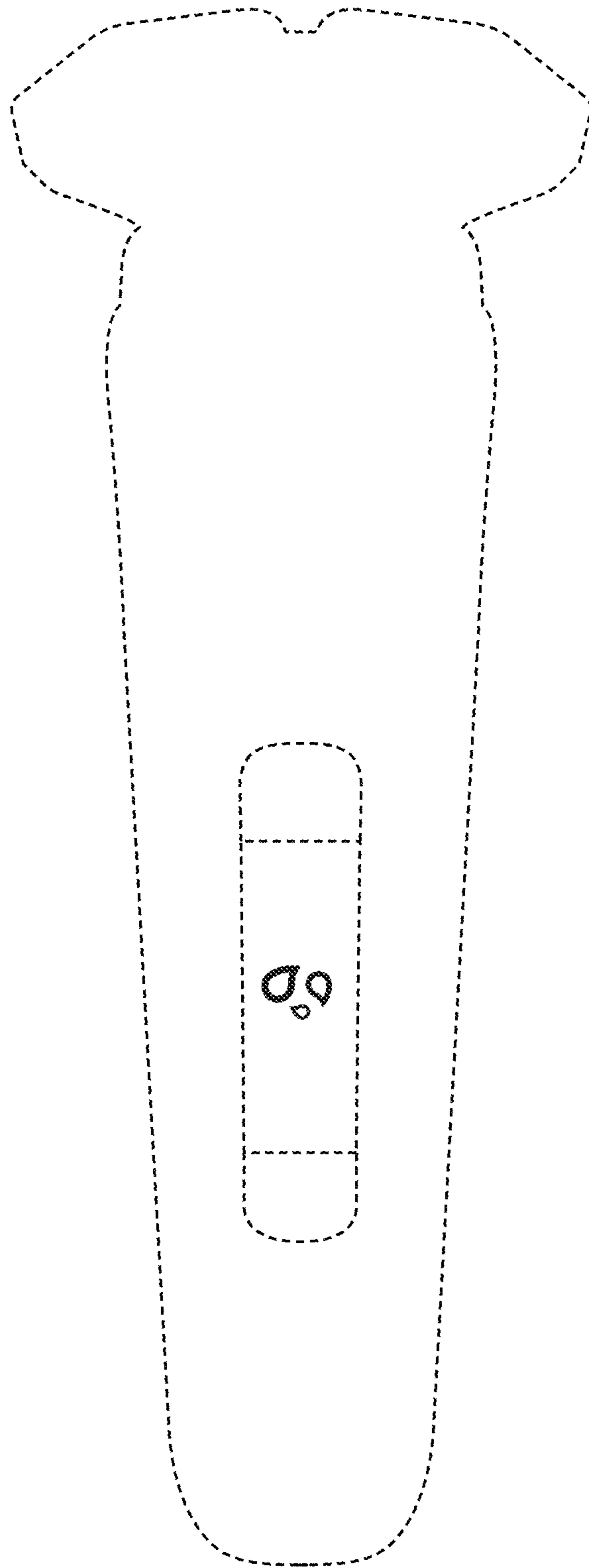


FIG. 11



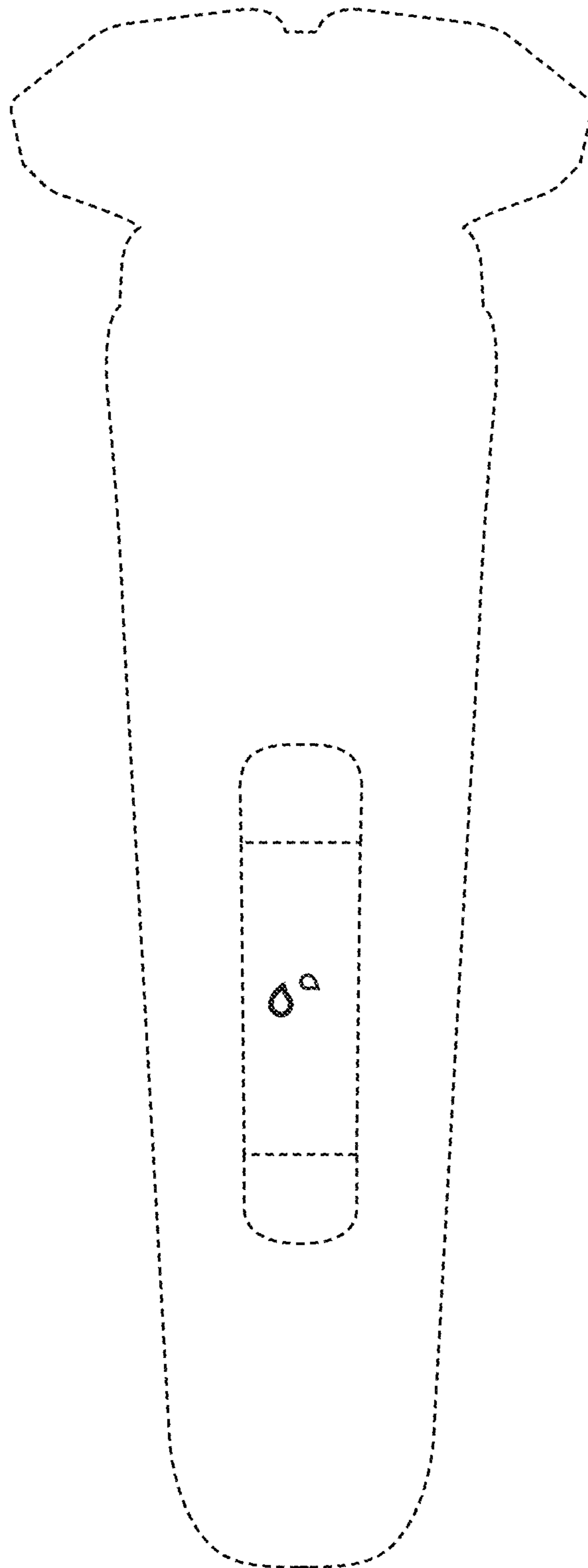


FIG. 12

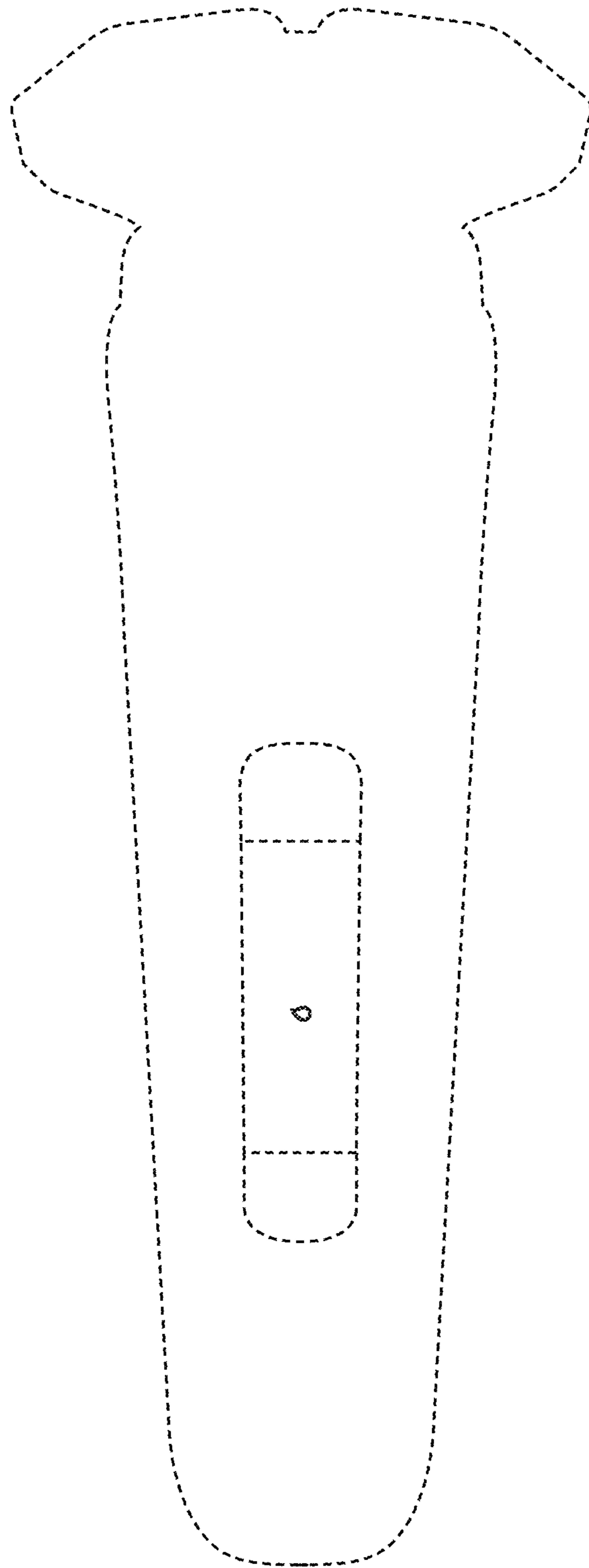


FIG. 13

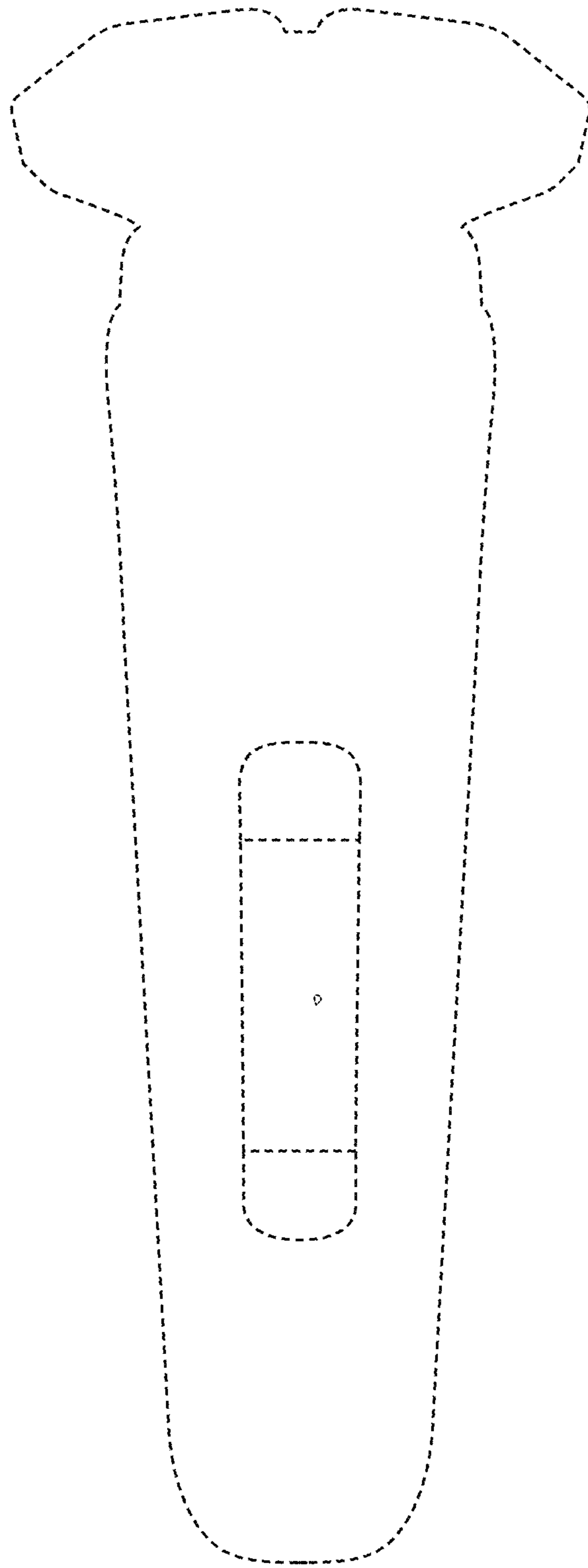


FIG. 14