



US00D970542S

(12) **United States Design Patent** (10) **Patent No.:** **US D970,542 S**
Dye et al. (45) **Date of Patent:** **** Nov. 22, 2022**

(54) **DISPLAY SCREEN OR PORTION THEREOF WITH ANIMATED GRAPHICAL USER INTERFACE**

D802,607 S * 11/2017 Apodaca D14/485
D813,900 S * 3/2018 Karunamuni D14/487
D859,453 S * 9/2019 Wantland D14/487
D864,990 S * 10/2019 Lee D14/487
D866,582 S * 11/2019 Chang D14/487
D869,486 S * 12/2019 Kim D14/486

(71) Applicant: **Apple Inc.**, Cupertino, CA (US)

(Continued)

(72) Inventors: **Alan C. Dye**, San Francisco, CA (US);
Daniel T. Preston, San Jose, CA (US);
Christopher Daryl Soli, Mountain View, CA (US)

FOREIGN PATENT DOCUMENTS

EM 002504340-0006 9/2014
EM 002504340-0007 9/2014

(73) Assignee: **Apple Inc.**, Cupertino, CA (US)

OTHER PUBLICATIONS

(**) Term: **15 Years**

U.S. Appl. No. 29/668,317, filed Oct. 29, 2018 (unpublished).

(21) Appl. No.: **29/768,512**

Primary Examiner — Katherine A Holbrow

(22) Filed: **Jan. 29, 2021**

(74) *Attorney, Agent, or Firm* — Saidman DesignLaw Group, LLC

Related U.S. Application Data

(63) Continuation of application No. 29/692,718, filed on May 28, 2019, now Pat. No. Des. 916,856.

(57) **CLAIM**

(51) **LOC (13) Cl.** **14-04**

The ornamental design for a display screen or portion thereof with animated graphical user interface, as shown and described.

(52) **U.S. Cl.**

USPC **D14/487**

DESCRIPTION

(58) **Field of Classification Search**

USPC D14/485-495
CPC G06F 3/048; G06F 3/04897; G06F 17/24;
G06F 17/50; G06F 17/5045; G06F 17/5086; G06F 17/5095; A63F 2300/308; A63F 13/53

See application file for complete search history.

FIG. 1 is a front view of a display screen or portion thereof with animated graphical user interface showing a first image of the claimed design;
FIG. 2 is a second image thereof; and,
FIG. 3 is a third image thereof.
The peripheral dashed broken lines illustrate a display screen or portion thereof, and form no part of the claimed design. The interior broken lines illustrate portions of the graphical user interface which form no part of the claimed design.

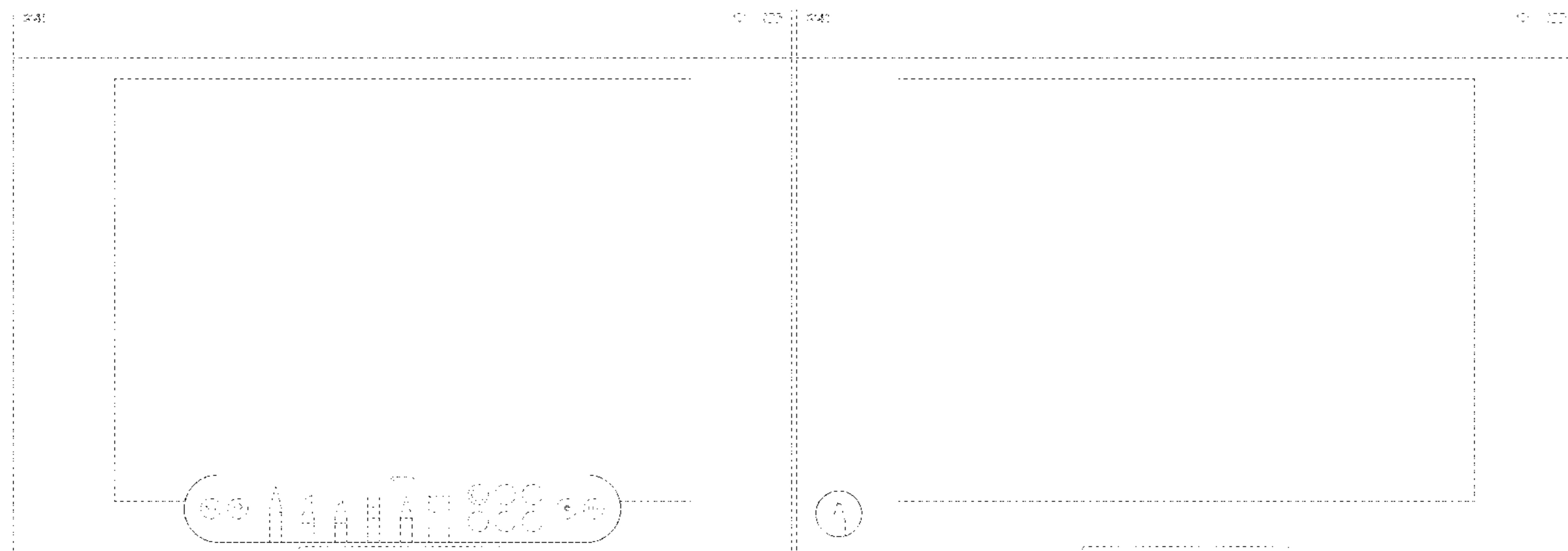
(56) **References Cited**

U.S. PATENT DOCUMENTS

D749,626 S * 2/2016 Park D14/488
D759,677 S * 6/2016 Oguntebi D14/485
D760,746 S * 7/2016 Dellinger D14/491
D775,654 S * 1/2017 Hoffman D14/493
D784,397 S * 4/2017 Kim D14/487
D797,793 S * 9/2017 Nichols D14/488
D801,996 S * 11/2017 Yang D14/486

The appearance of the graphical user interface transitions between the images shown in FIGS. 1-3. The process or period in which one image transitions to another forms no part of the claimed design.

1 Claim, 3 Drawing Sheets



(56)

References Cited

U.S. PATENT DOCUMENTS

D881,210 S * 4/2020 Anzures D14/488
D915,440 S * 4/2021 Kim D14/486
D916,856 S * 4/2021 Christie D14/487
11,023,055 B2 * 6/2021 Roper G06F 3/0488
D939,565 S * 12/2021 Gaiser D14/487
D939,566 S * 12/2021 Gaiser D14/487
D940,154 S * 1/2022 Park D14/485
D941,877 S * 1/2022 Li D14/489
D949,905 S * 4/2022 Anzures D14/486

* cited by examiner

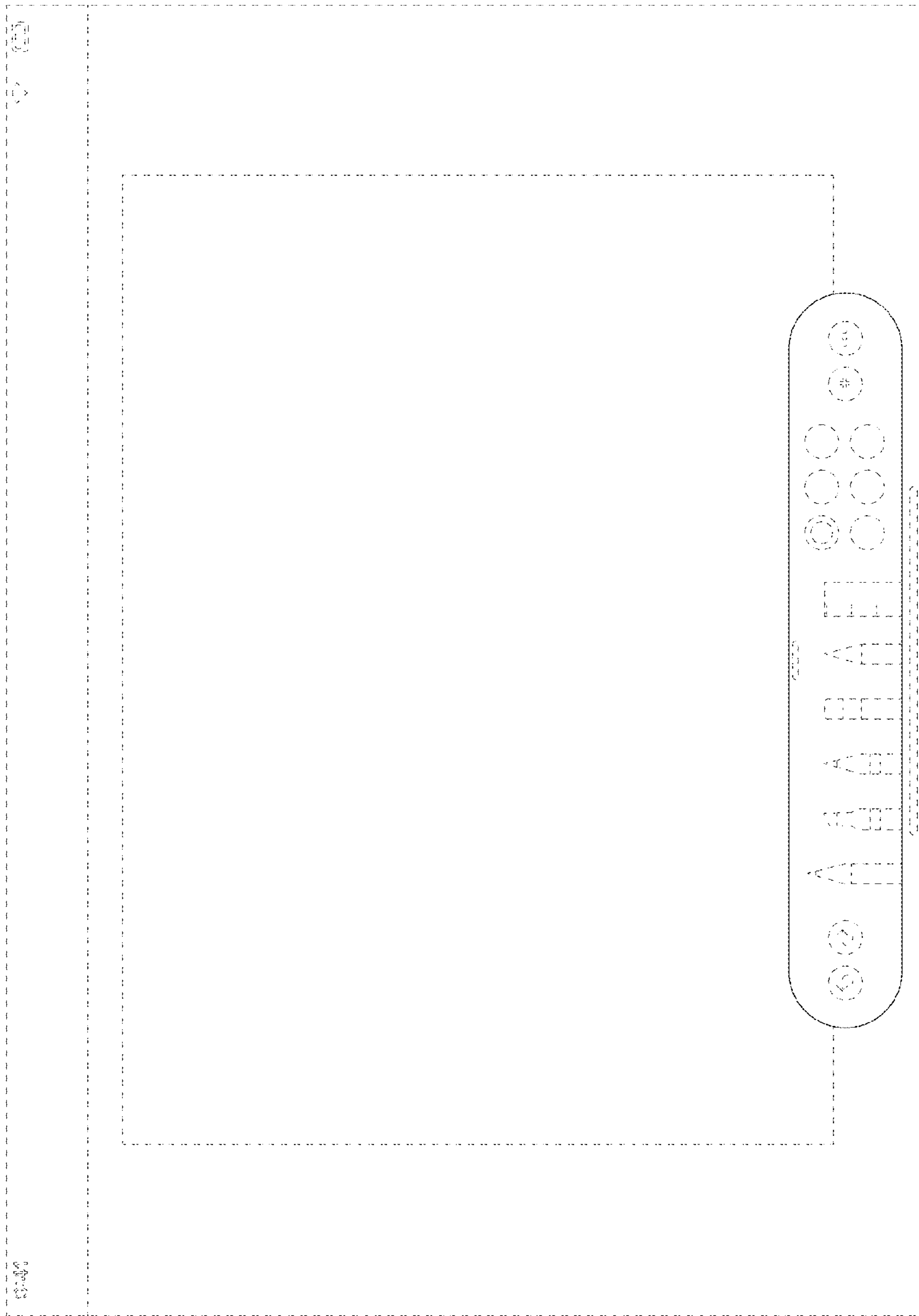


FIG. 1

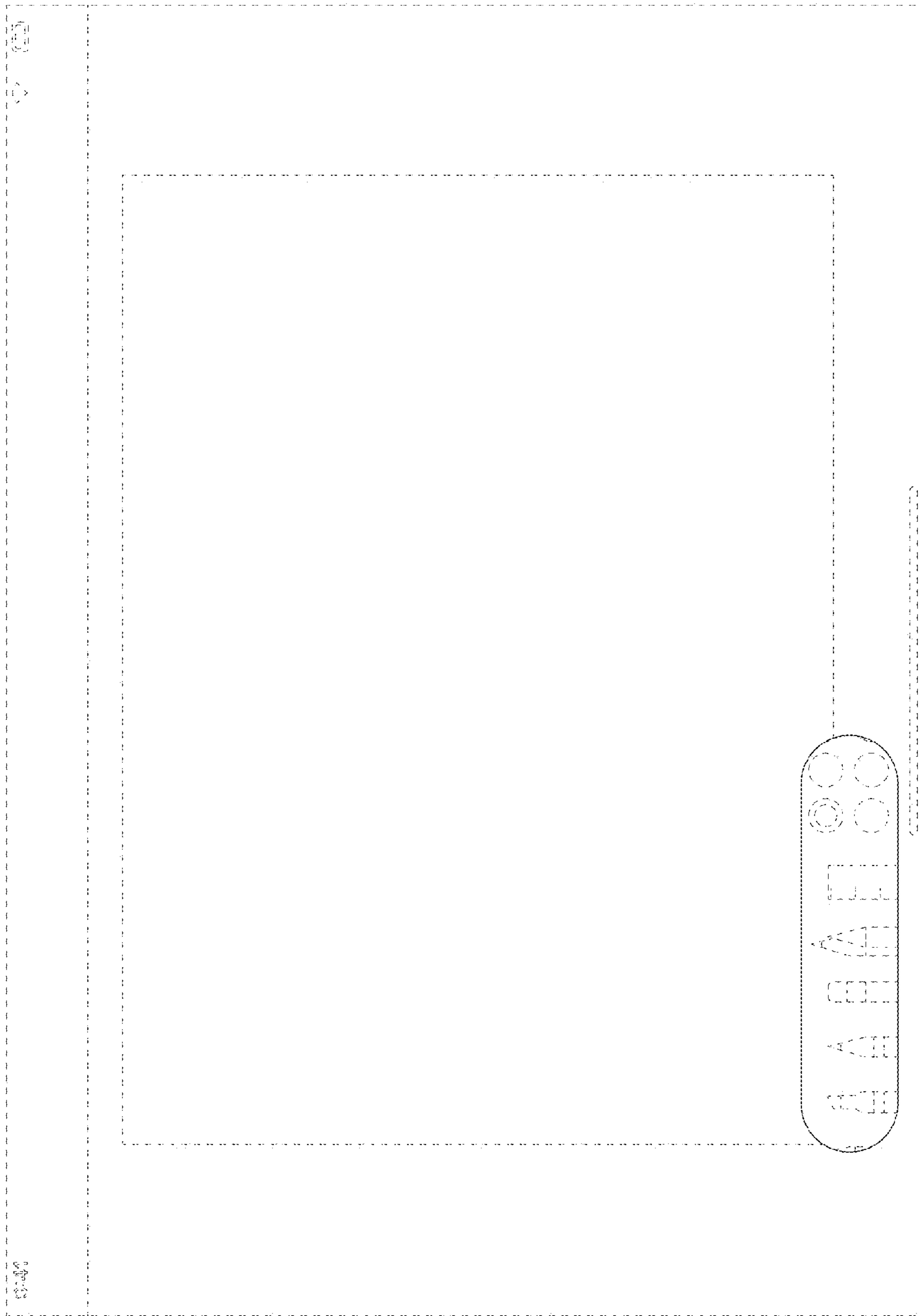


FIG. 2

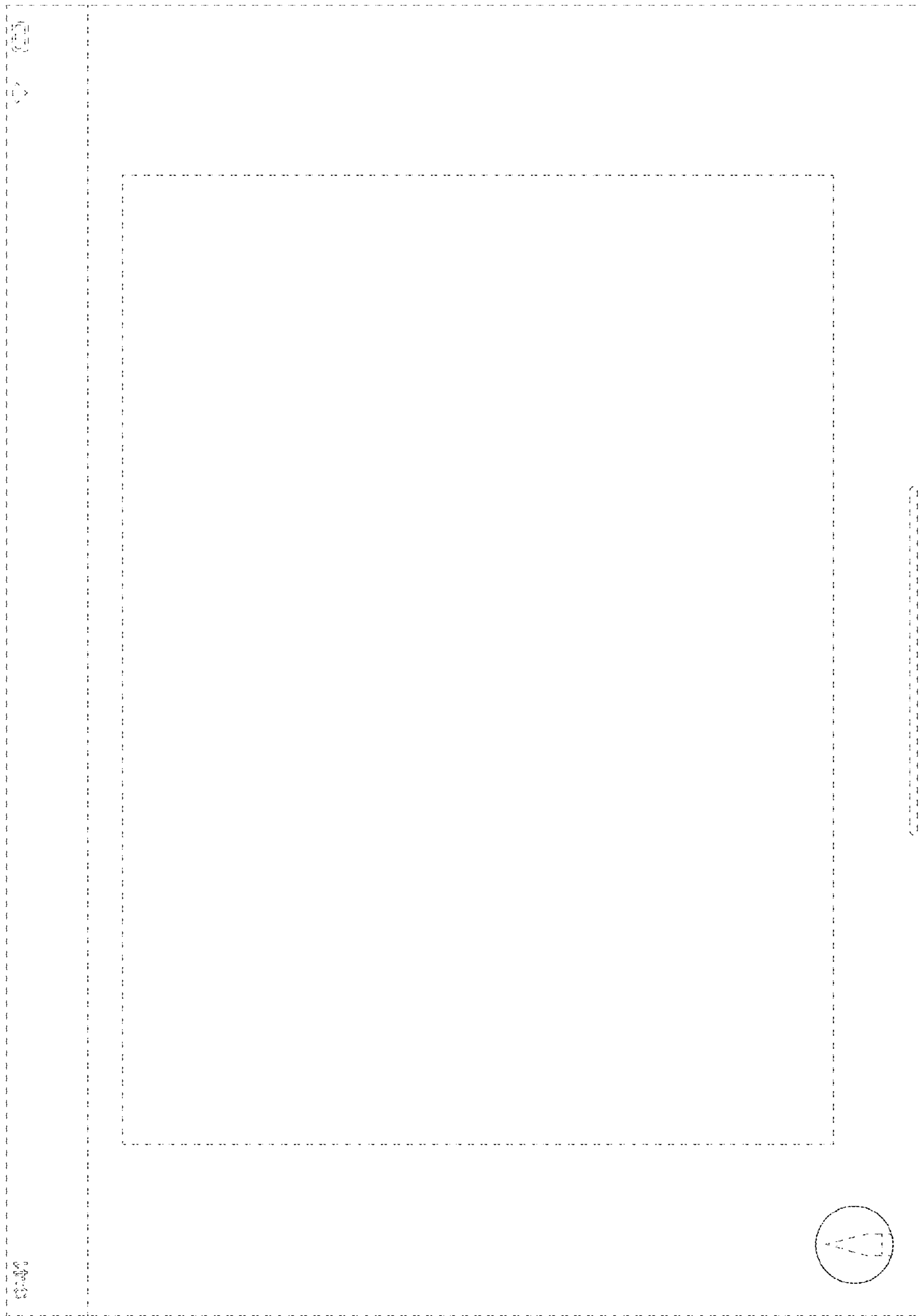


FIG. 3