



US00D970514S

(12) **United States Design Patent**
Chen

(10) **Patent No.:** **US D970,514 S**

(45) **Date of Patent:** **** Nov. 22, 2022**

(54) **TV GAME STICK**

(71) Applicant: **Yancan Chen**, Chaozhou (CN)

(72) Inventor: **Yancan Chen**, Chaozhou (CN)

(**) Term: **15 Years**

(21) Appl. No.: **29/801,286**

(22) Filed: **Jul. 28, 2021**

(51) **LOC (13) Cl.** **14-03**

(52) **U.S. Cl.**
USPC **D14/480.5**

(58) **Field of Classification Search**
USPC D14/480.1–480.7, 435.1, 411, 433, 436,
D14/484.1, 137, 155, 203.1–203.8, 240,
D14/242, 496, 474, 348, 353, 356;
D13/133, 154
CPC H05K 5/0278; G06K 19/07732; G06K
19/0723; G07C 9/00857
See application file for complete search history.

(56) **References Cited**

U.S. PATENT DOCUMENTS

D492,307 S *	6/2004	Aqqad	D14/480.5
D520,996 S *	5/2006	Deng	D14/480.5
D583,374 S *	12/2008	Otsuka	D14/480.5
D583,816 S *	12/2008	Guccione	D14/480.5
D610,134 S *	2/2010	Gotzen	D14/188
D630,640 S *	1/2011	Kuo	D14/480.5
D631,055 S *	1/2011	Gilbert	D14/242
D642,585 S *	8/2011	Lan	D14/480.5
D670,297 S *	11/2012	Huang	D14/480.5
D688,255 S *	8/2013	Daniel	D14/480.4

D689,503 S *	9/2013	Wu	D14/480.5
D724,602 S *	3/2015	Lin	D14/480.5
D729,277 S *	5/2015	Uchida	D14/496
D781,867 S	3/2017	Aulert		
D807,897 S	1/2018	Dahan		
D848,445 S	5/2019	Aulert		
D910,623 S	2/2021	Cueto et al.		

* cited by examiner

Primary Examiner — Angela J Lee

(74) *Attorney, Agent, or Firm* — Xuan Zhang

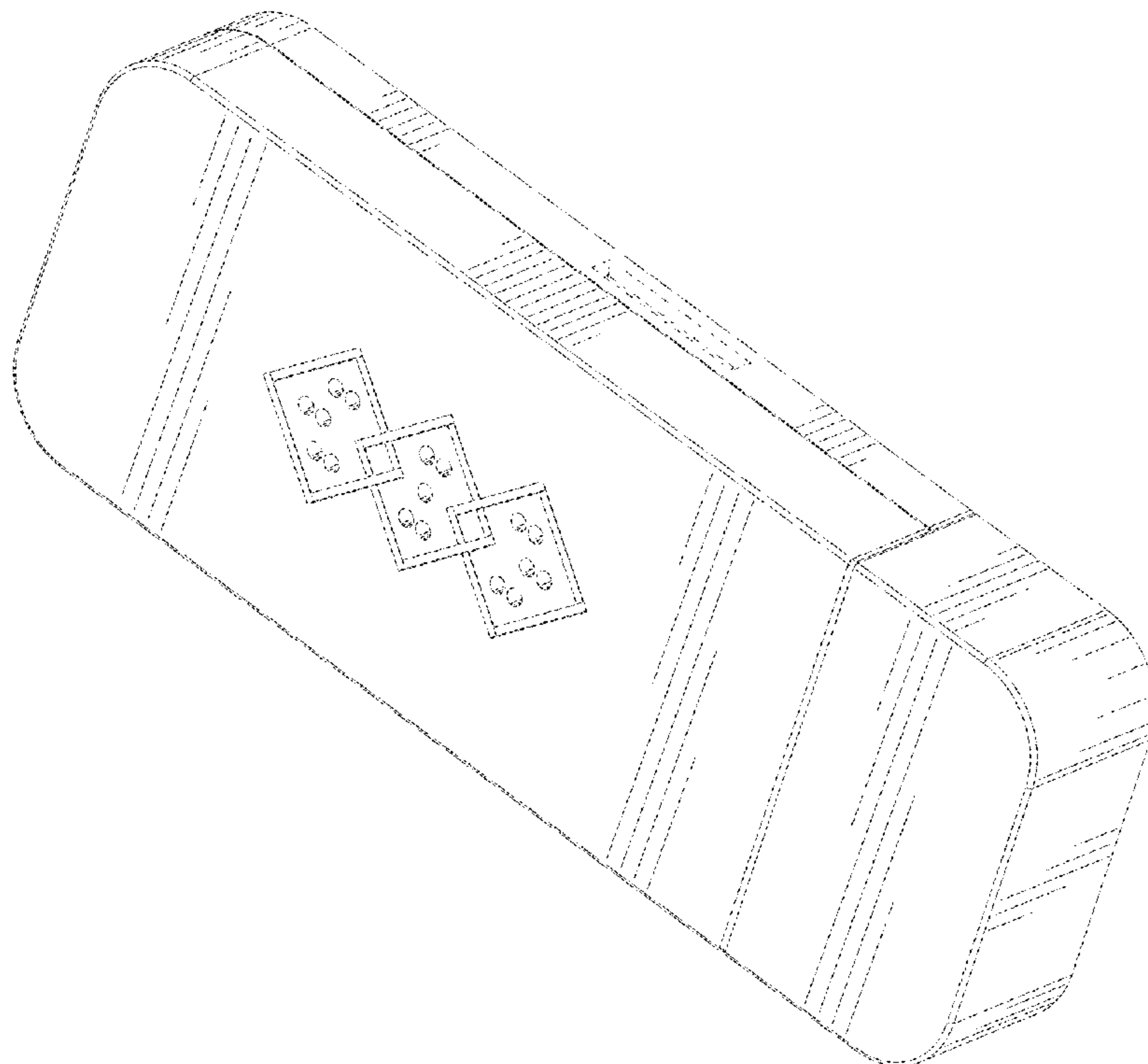
(57) **CLAIM**

The ornamental design for a TV game stick, as shown and described.

DESCRIPTION

FIG. 1 is a perspective view of a TV game stick showing my new design.
 FIG. 2 is a front view thereof, but shown without the cap of the TV game stick for clarity of illustration;
 FIG. 3 is a rear view thereof without the cap;
 FIG. 4 is a bottom view thereof;
 FIG. 5 is a top view thereof without the cap;
 FIG. 6 is a left view thereof without the cap;
 FIG. 7 is a right view thereof without the cap; and,
 FIG. 8 is an exploded perspective view thereof, but shown with the cap and a broken line memory card being inserted into the TV game stick.
 The broken lines in the drawings are included for the purpose of illustrating environmental structure and form no part of the claimed design.

1 Claim, 8 Drawing Sheets



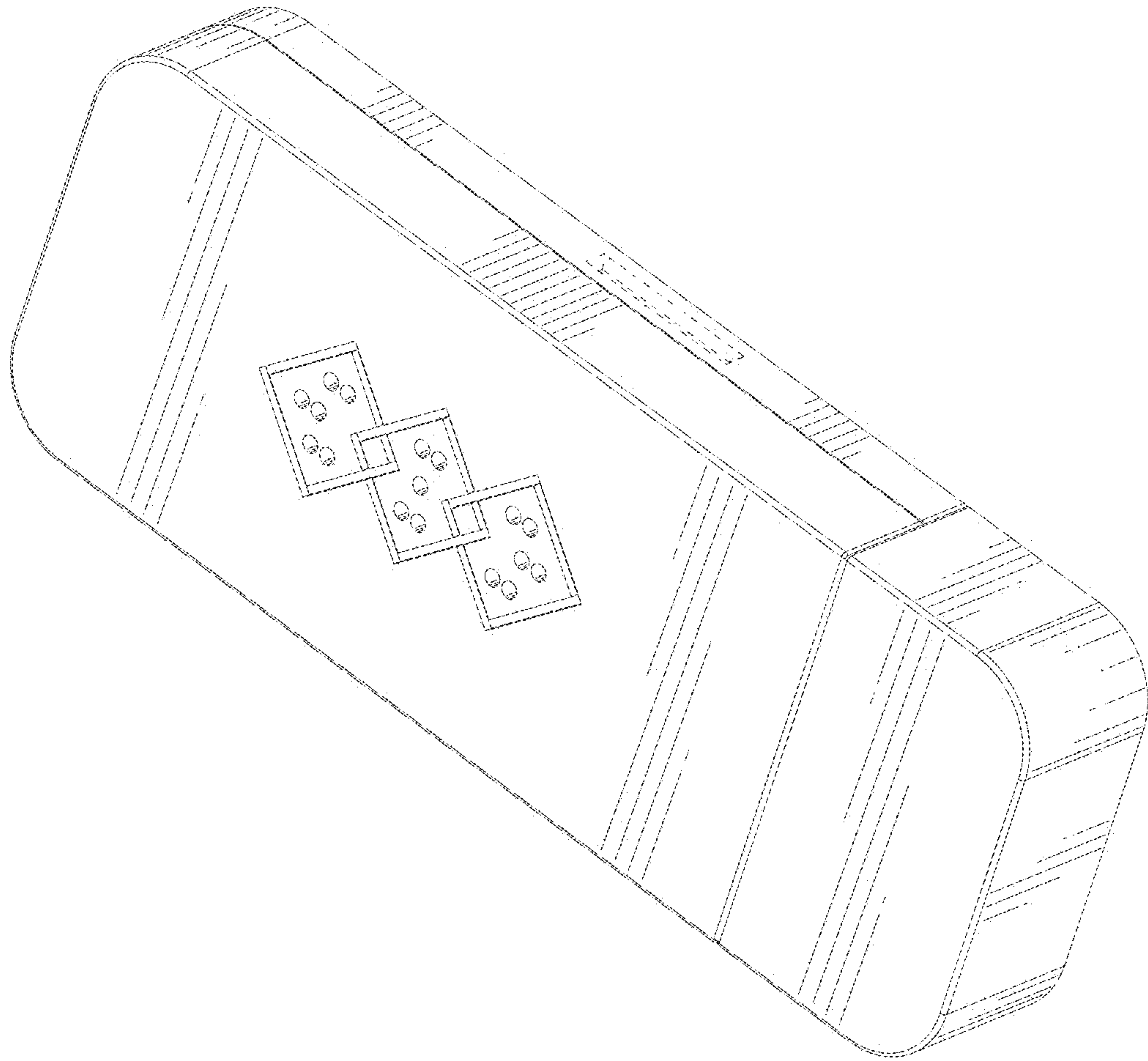


FIG.1

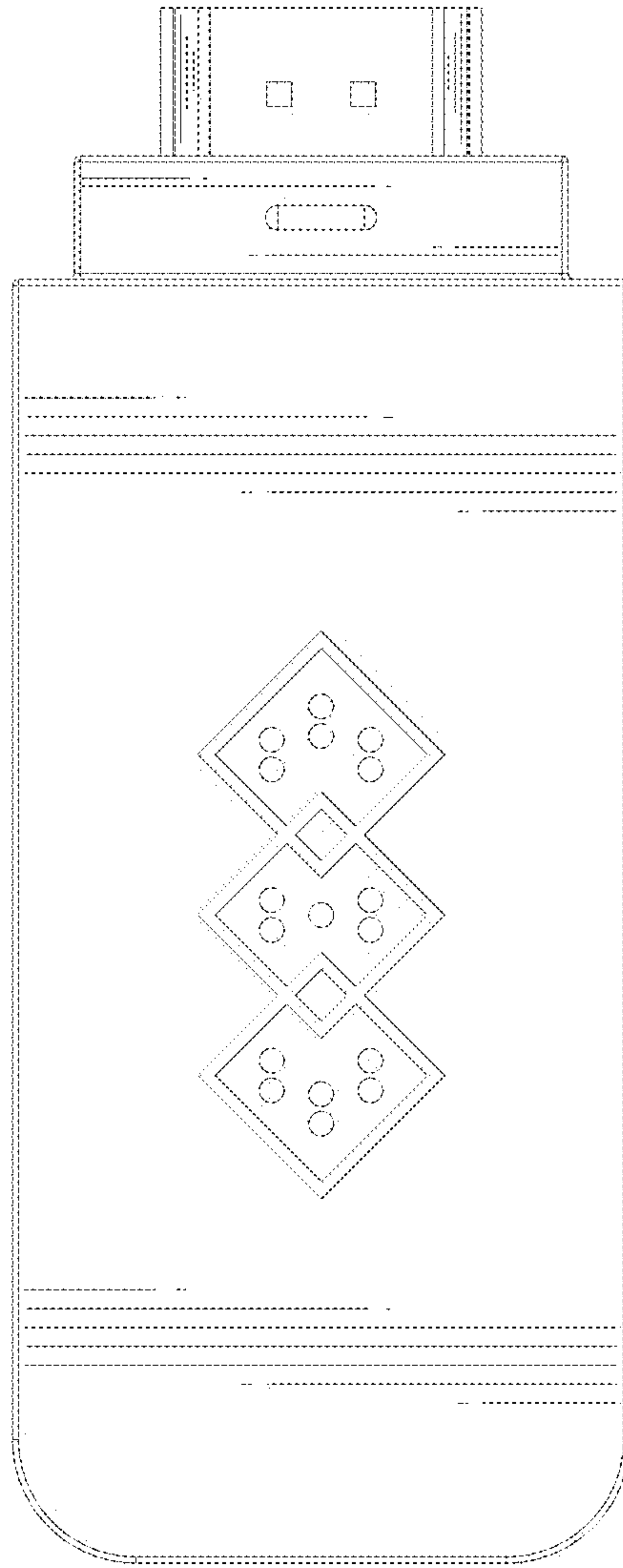


FIG.2

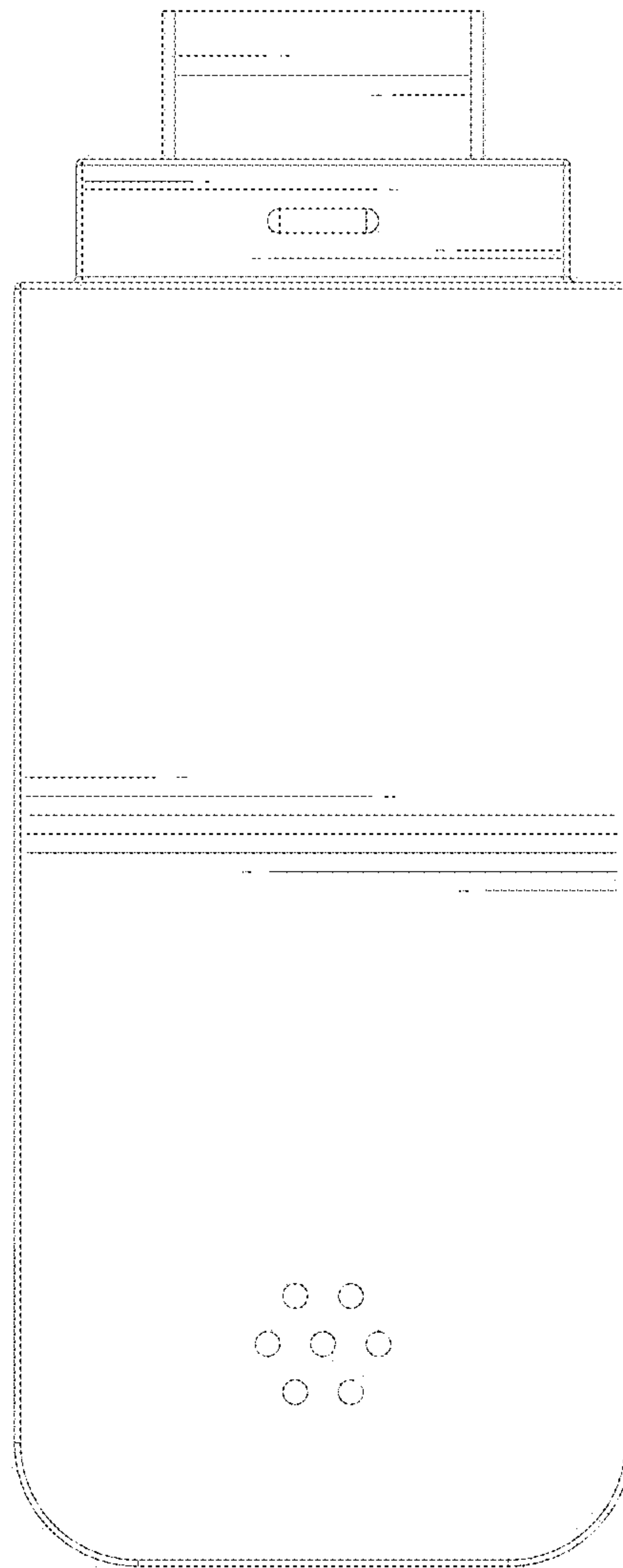


FIG. 3

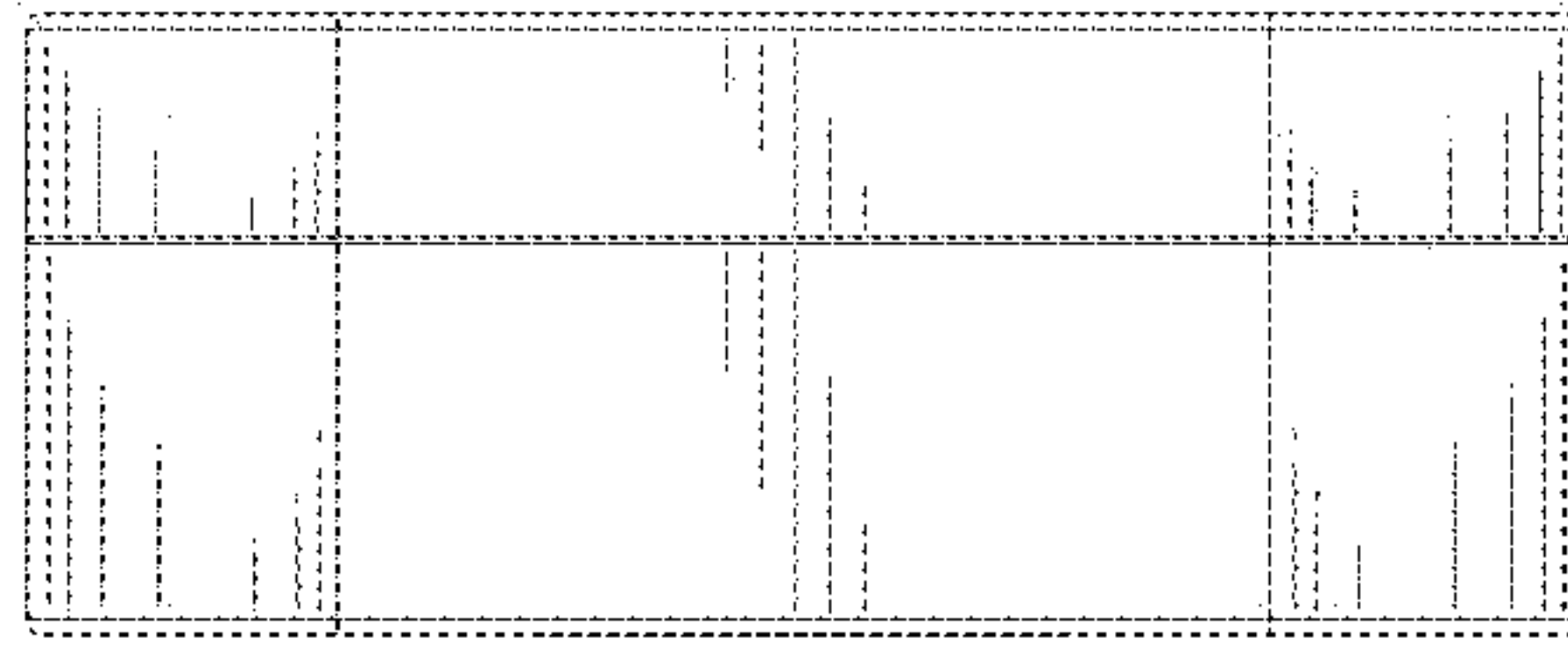


FIG.4

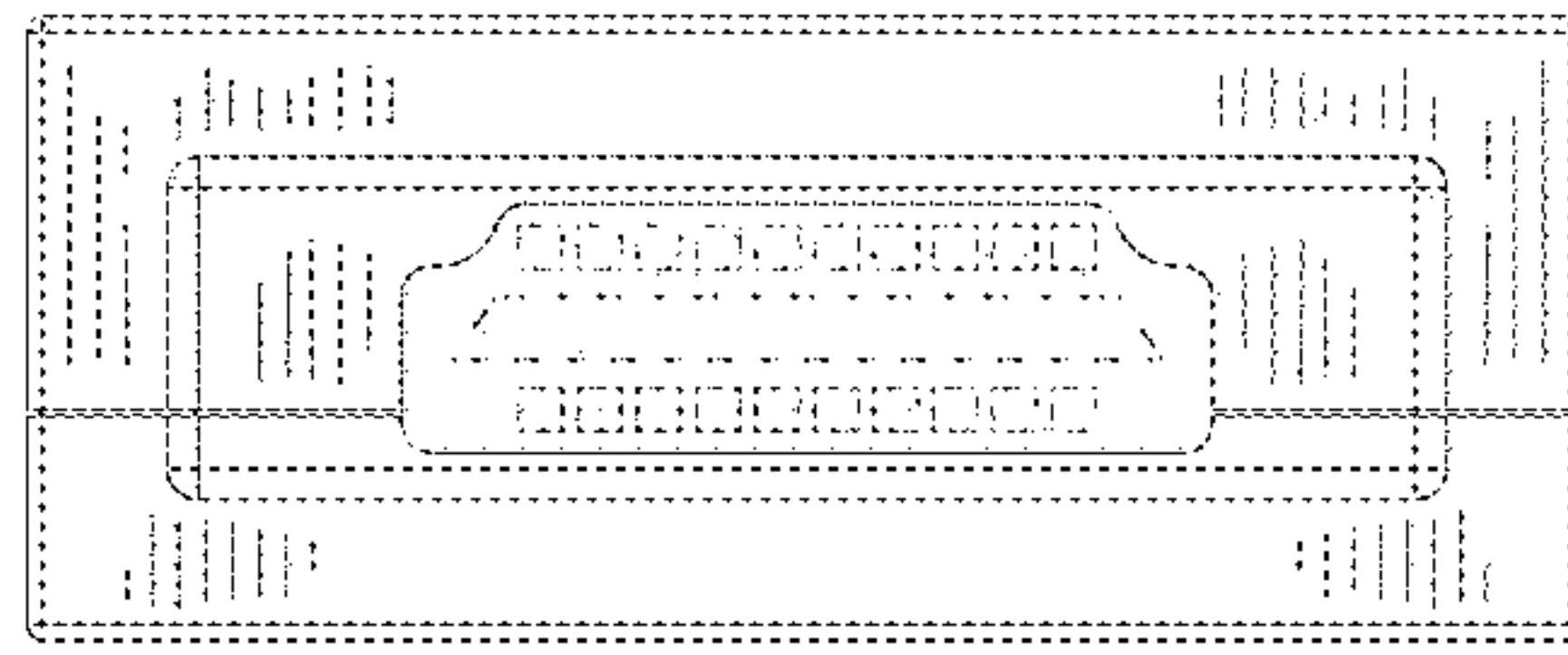


FIG. 5

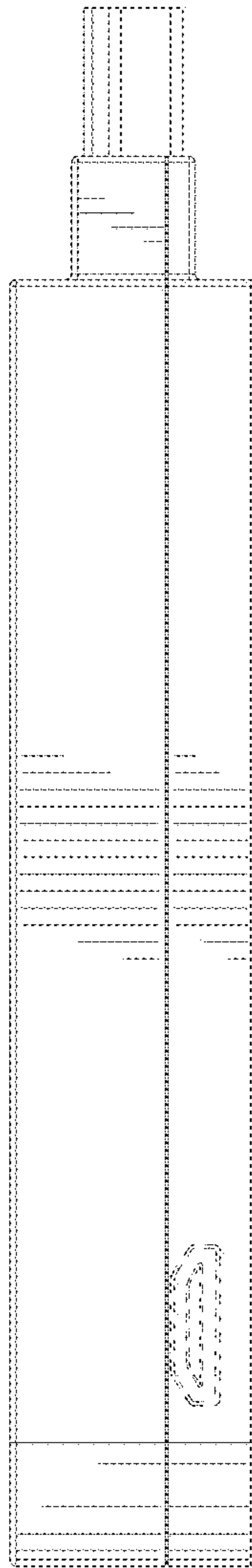


FIG.6

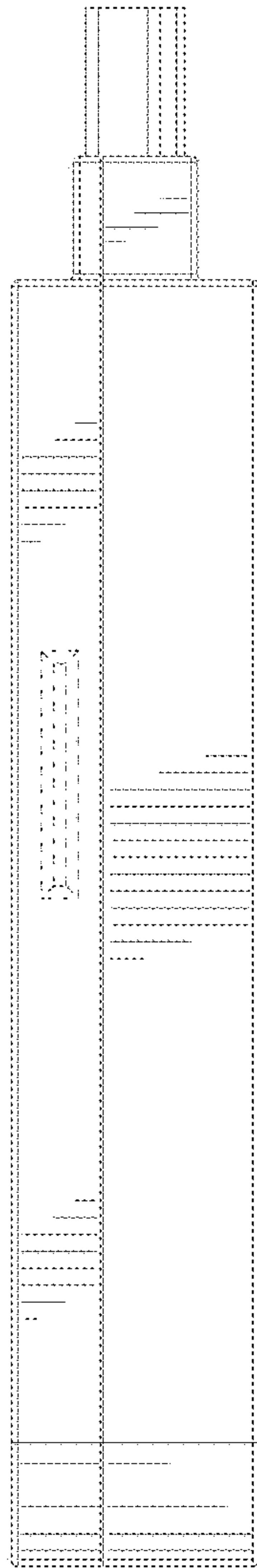


FIG. 7

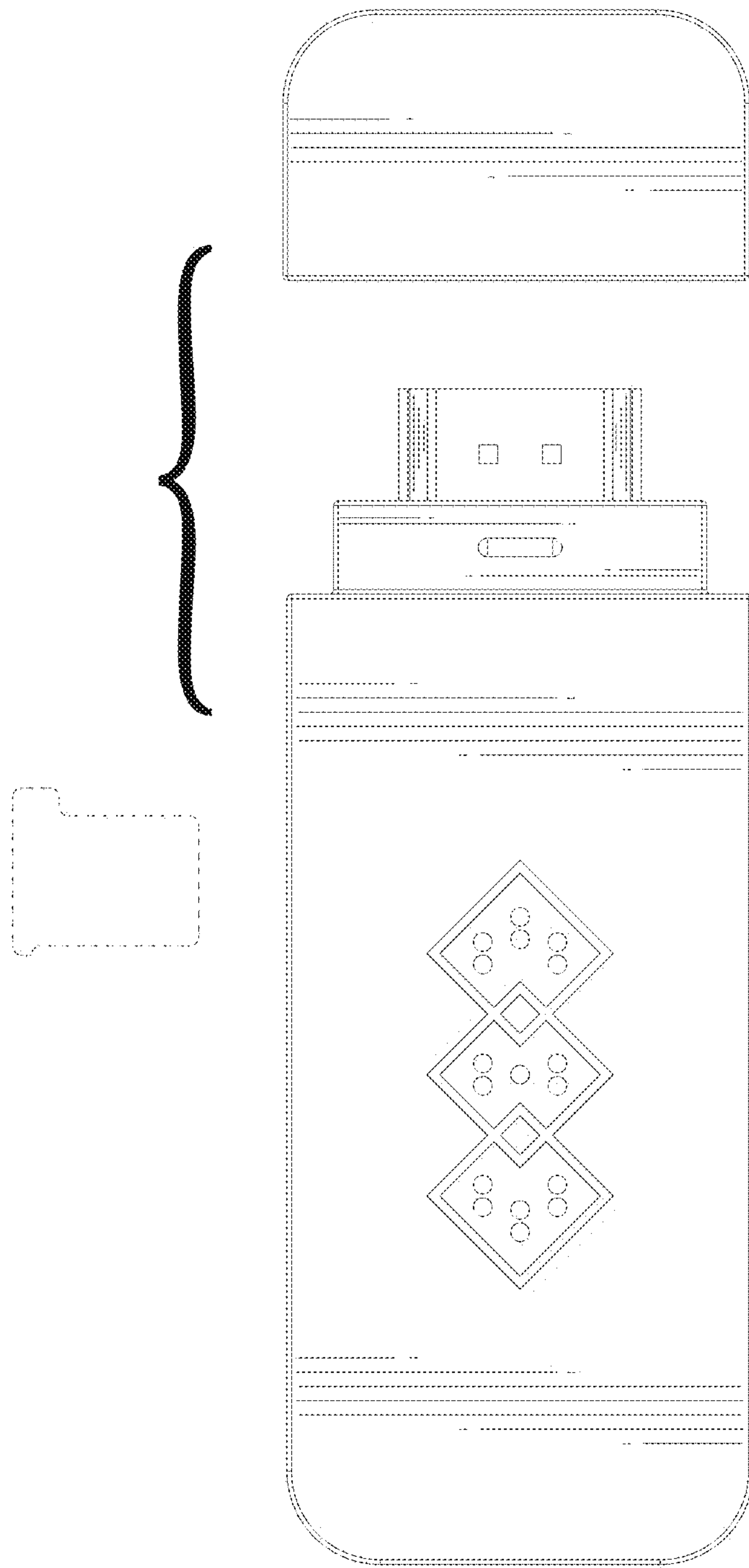


FIG.8