



US00D970513S

(12) **United States Design Patent** (10) **Patent No.:** **US D970,513 S**
Li (45) **Date of Patent:** **** Nov. 22, 2022**

(54) **TABLET STAND**

(71) Applicant: **Chuanbao Li**, Nanyang (CN)
(72) Inventor: **Chuanbao Li**, Nanyang (CN)
(73) Assignee: **Chuanbao Li**, Nanyang (CN)
(**) Term: **15 Years**

(21) Appl. No.: **29/843,514**

(22) Filed: **Jun. 22, 2022**

(51) **LOC (13) Cl.** **14-03**

(52) **U.S. Cl.**
USPC **D14/447**

(58) **Field of Classification Search**

USPC D14/447, 432, 434, 439, 440, 451, 452,
D14/457, 239, 253, 250; D8/363, 373,
D8/380; D6/406.3, 406.4, 406.5, 406.6;
D12/415; D19/91; D3/218
CPC A47B 21/04; A47B 2097/006; A47B
2097/005; A47B 2023/049; A45C
2011/002; A45C 2011/003; F16M
2200/00; F16M 13/00; A45F 2200/0516;
A45F 2200/0525

See application file for complete search history.

(56) **References Cited**

U.S. PATENT DOCUMENTS

D674,805 S *	1/2013	Vincent	D14/447
D903,689 S *	12/2020	Zheng	D14/447
D907,644 S *	1/2021	Li	D14/447
D912,064 S	3/2021	DeFazio et al.		
D920,338 S *	5/2021	Chen	D14/447
D927,498 S *	8/2021	Wang	D14/447
D936,662 S *	11/2021	Gao	D14/447
D938,433 S *	12/2021	Huang	D14/447
D940,725 S *	1/2022	Jia	F16M 11/2092
				D14/447
D942,463 S *	2/2022	Li	D14/447
D944,809 S *	3/2022	Wang	D14/447
D951,960 S *	5/2022	Shen	D14/447
D956,768 S *	7/2022	Chen	D14/447

OTHER PUBLICATIONS

Swivel Adjustable Laptop Stand first available May 24, 2021
https://www.amazon.com/Swivel-Adjustable-Laptop-Stand-Mechanical/dp/B095PNRN1S/ref=sr_1_4?crd=2C71FZIAUAN33&keywords=laptop%2Bstand%2Bswivel&qid=1662659334&sprefix=laptop%2Bstand%2Bswivel%2Caps%2C157&sr=8-4&th=1 (Year: 2021).
Laptop Stand, Apr. 9, 2022, https://www.amazon.com/dp/B09XK8HT87/ref=sspa_dk_detail_3?pd_rd_i=B09XK8HT87&pd_rd_w=o2lbp&content-id=amzn1.sym.3258a74d-a59c-47c7-8bfe-c30ebd401807&pf_rd_p=3258a74d-a59c-47c7-8bfe-c30ebd401807&pf_rd_r=Q8FCVP71X90HGBJJRKN7&pd_rd_wg=kwxad&pd_rd_r=c94da649-f358-4d3c-&s=pc&sp_csd=d2lkZ2V0TmFtZT1zcF9kZXRhaWxfidGhlbWF0aWM&spLa=ZW5jcnlwdGVkUXVhbGlmaWVyPUEzOU41WEIYWdDhDS01RjMvYy3J5cHRIZEIkPUEwMTY0MTY5RkFFSTBGSTICRE9IjMvYy3J5cHRIZEFkSWQ9QTAxMjMzMySzFjV1FRTFIWRIRVJndpZGdlde5hbWU9c3BfZGV0YWIsX3RoZW1hdGljJmFjdGlvb1j1bGlja1JlZGIyZWNoJmRvTm90TG9nQ2xpY2s9dHJlZQ&th=1 (Year: 2022).*

* cited by examiner

Primary Examiner — Angela J Lee

(74) *Attorney, Agent, or Firm* — Nitin Kaushik

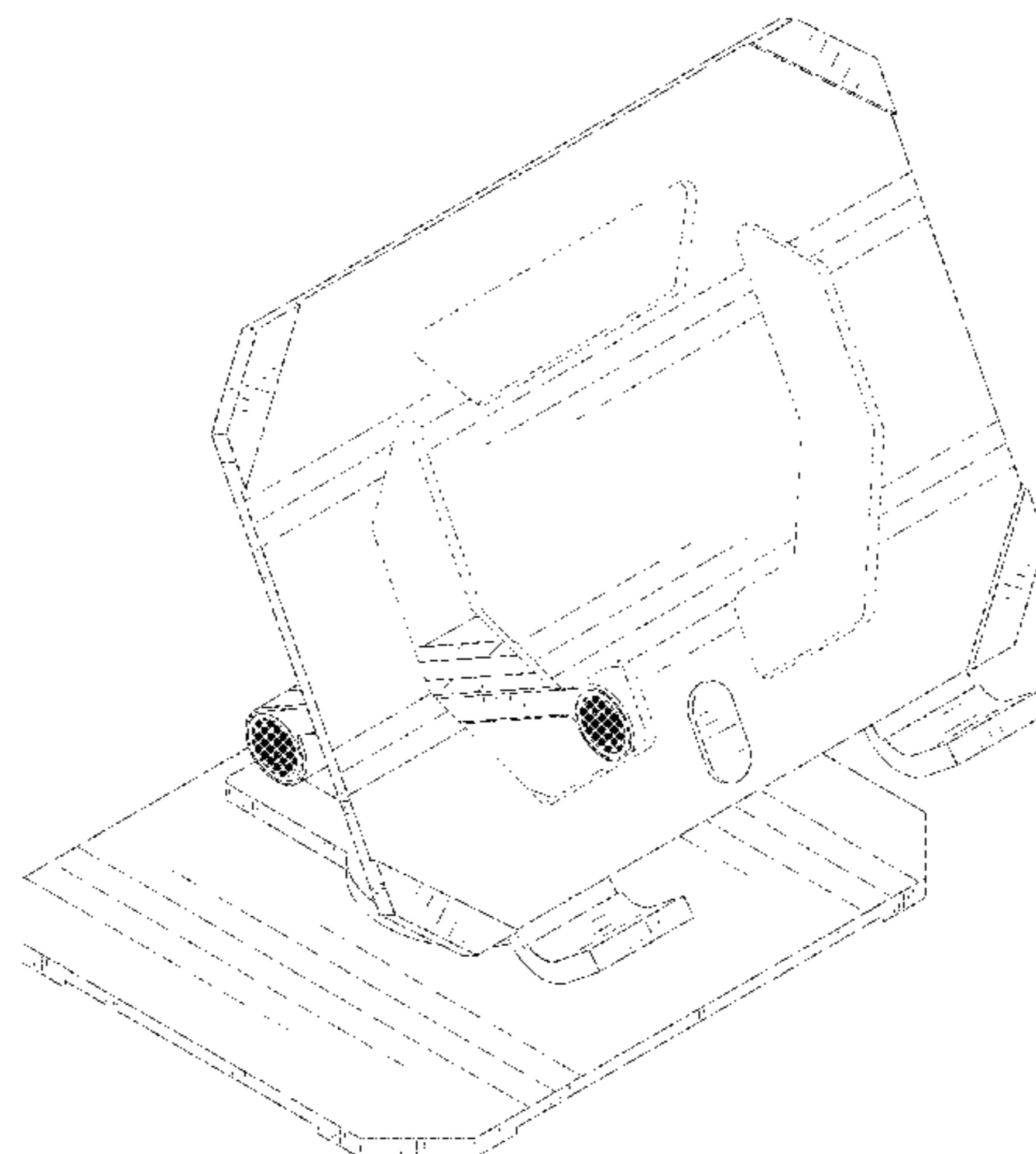
(57) **CLAIM**

The ornamental design for a tablet stand, as shown and described.

DESCRIPTION

FIG. 1 is a front perspective view of a tablet stand, showing my new design;
FIG. 2 is another front perspective thereof, but shown in an alternate position;
FIG. 3 is its folded perspective view;
FIG. 4 is a front view thereof;
FIG. 5 is a rear view thereof;
FIG. 6 is a left side view thereof;
FIG. 7 is a right side view thereof;
FIG. 8 is a top view thereof; and,
FIG. 9 is a bottom view thereof.

(Continued)



The broken lines in the drawings illustrate the portions of the tablet stand, which form no part of the claimed design.

1 Claim, 9 Drawing Sheets

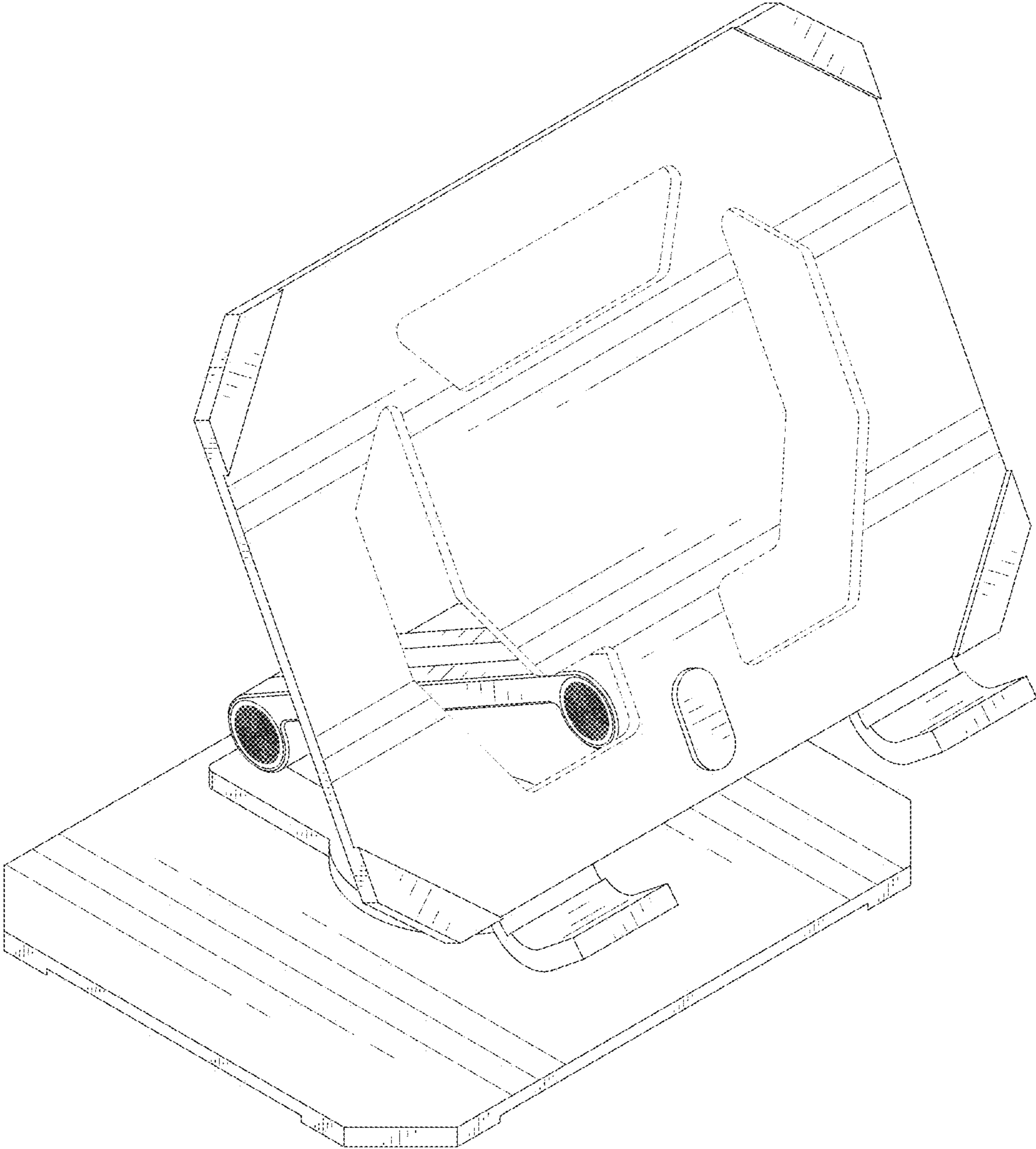


FIG. 1

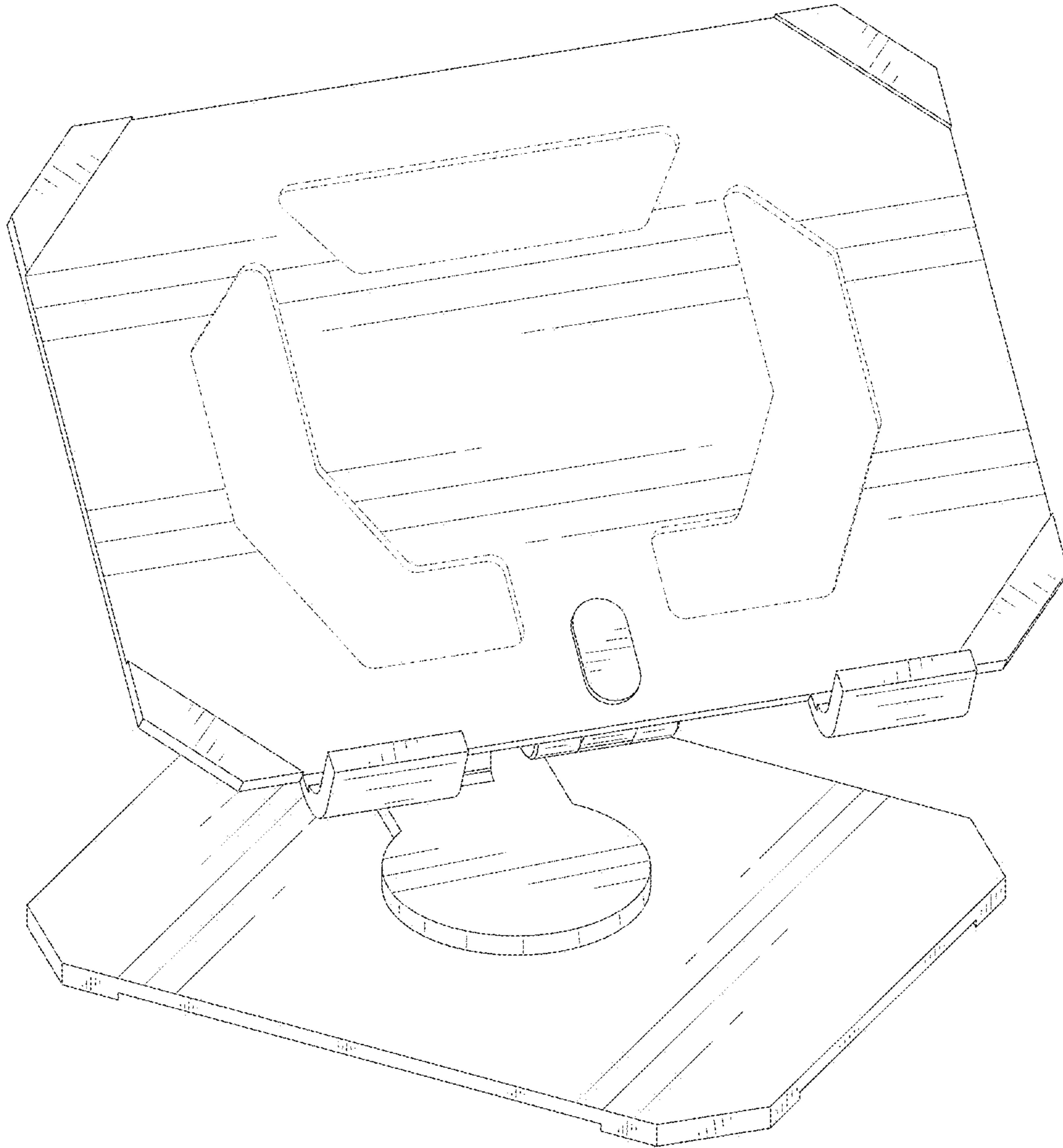


FIG. 2

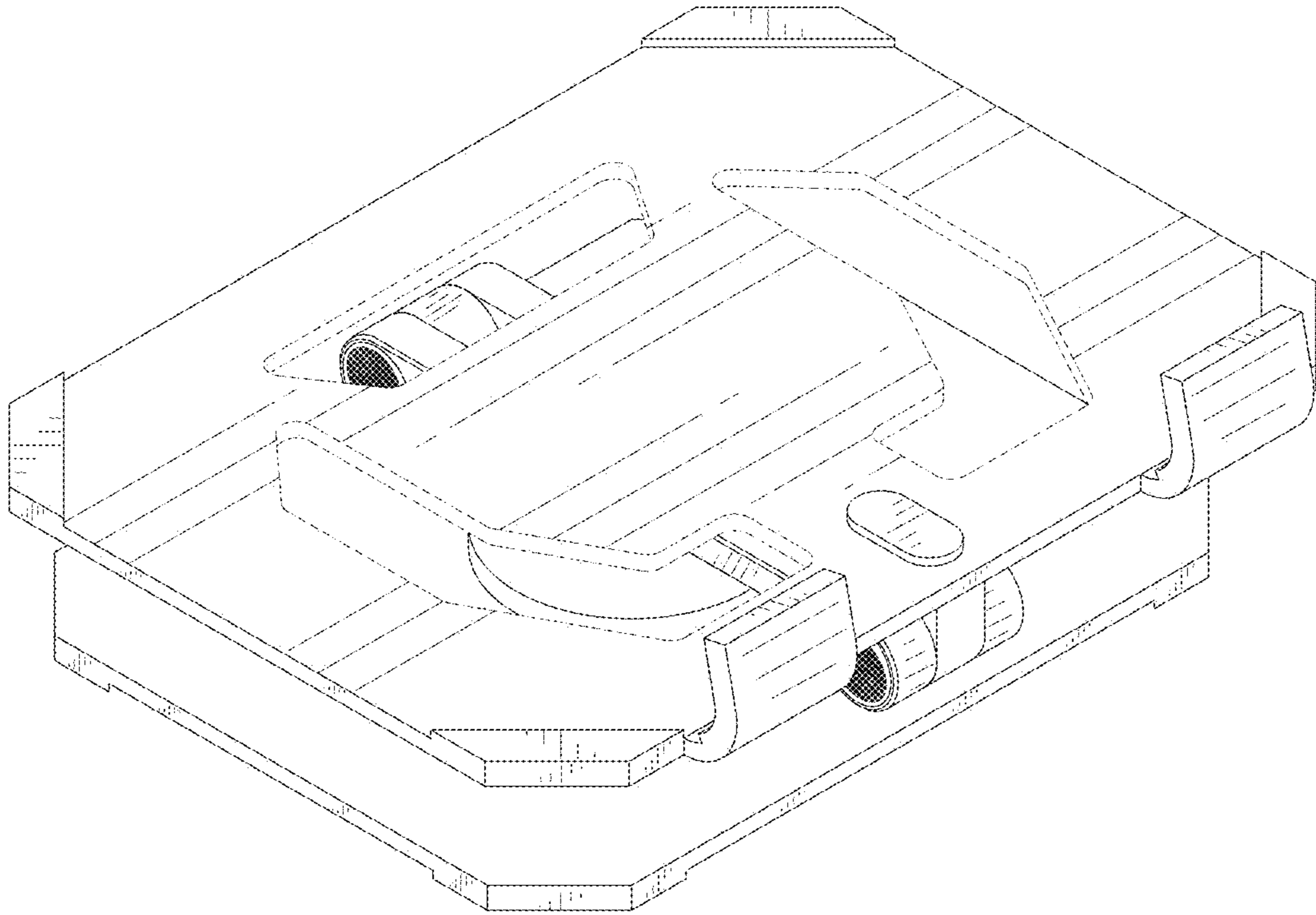


FIG. 3

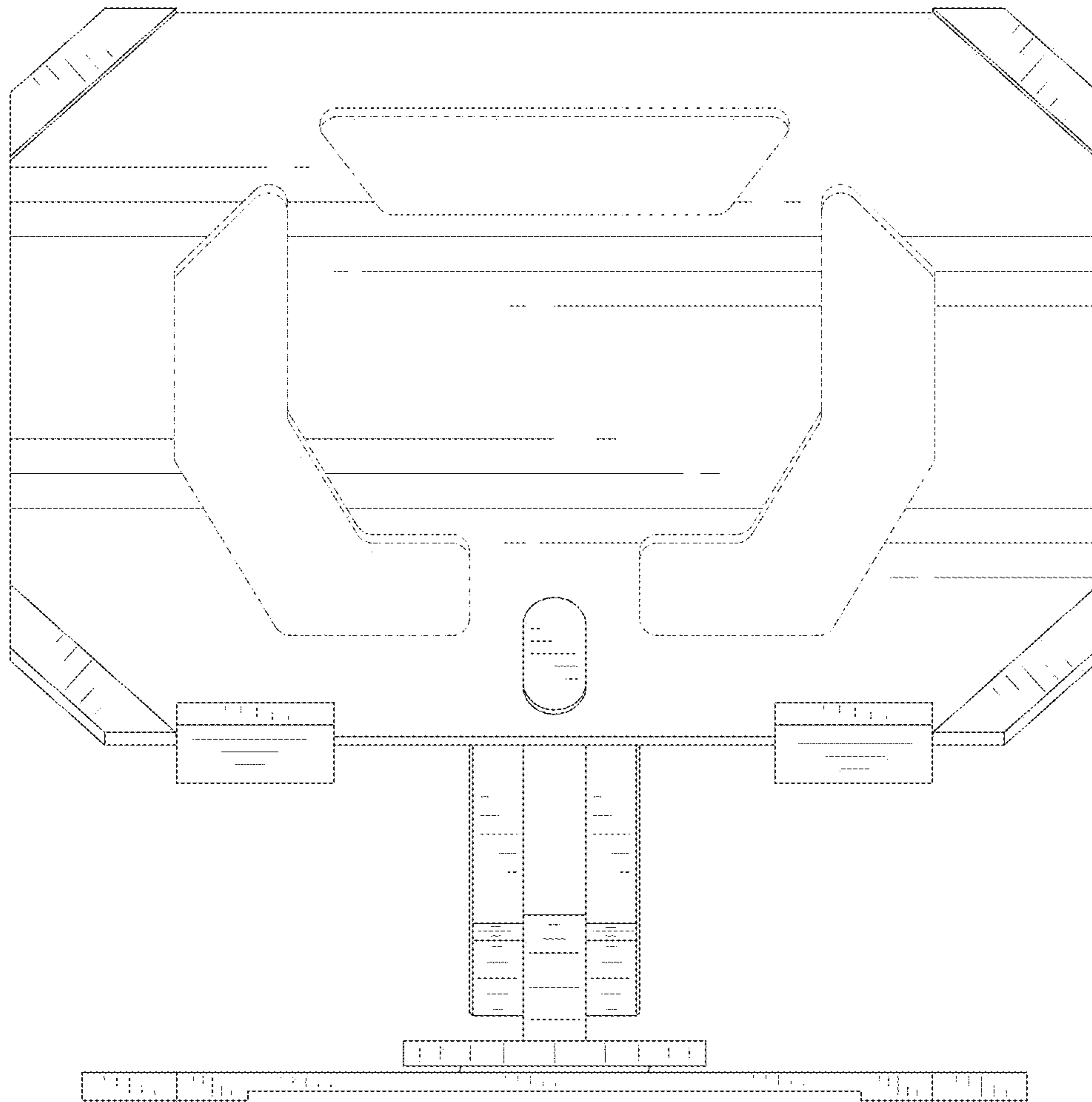


FIG. 4

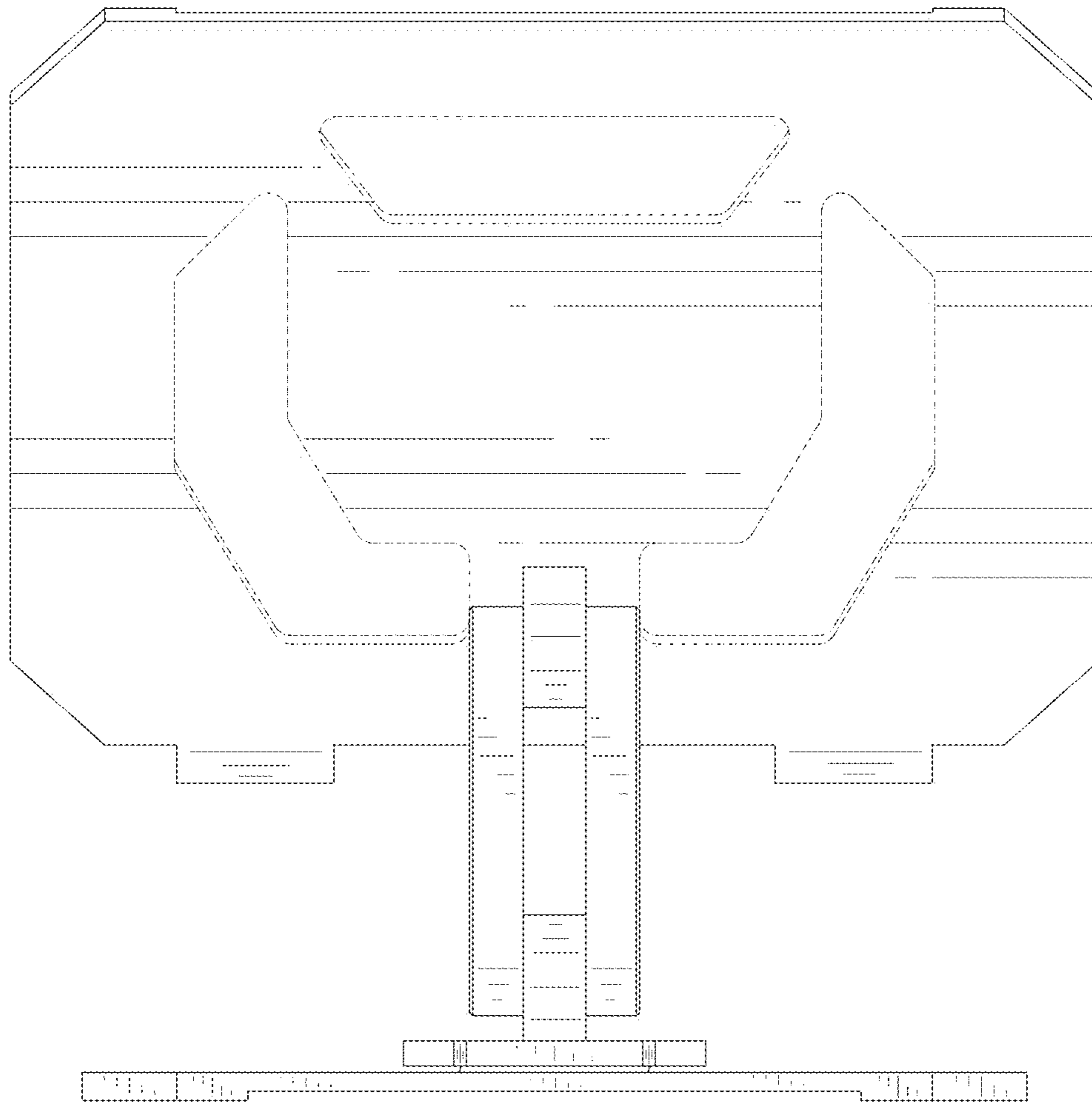


FIG. 5

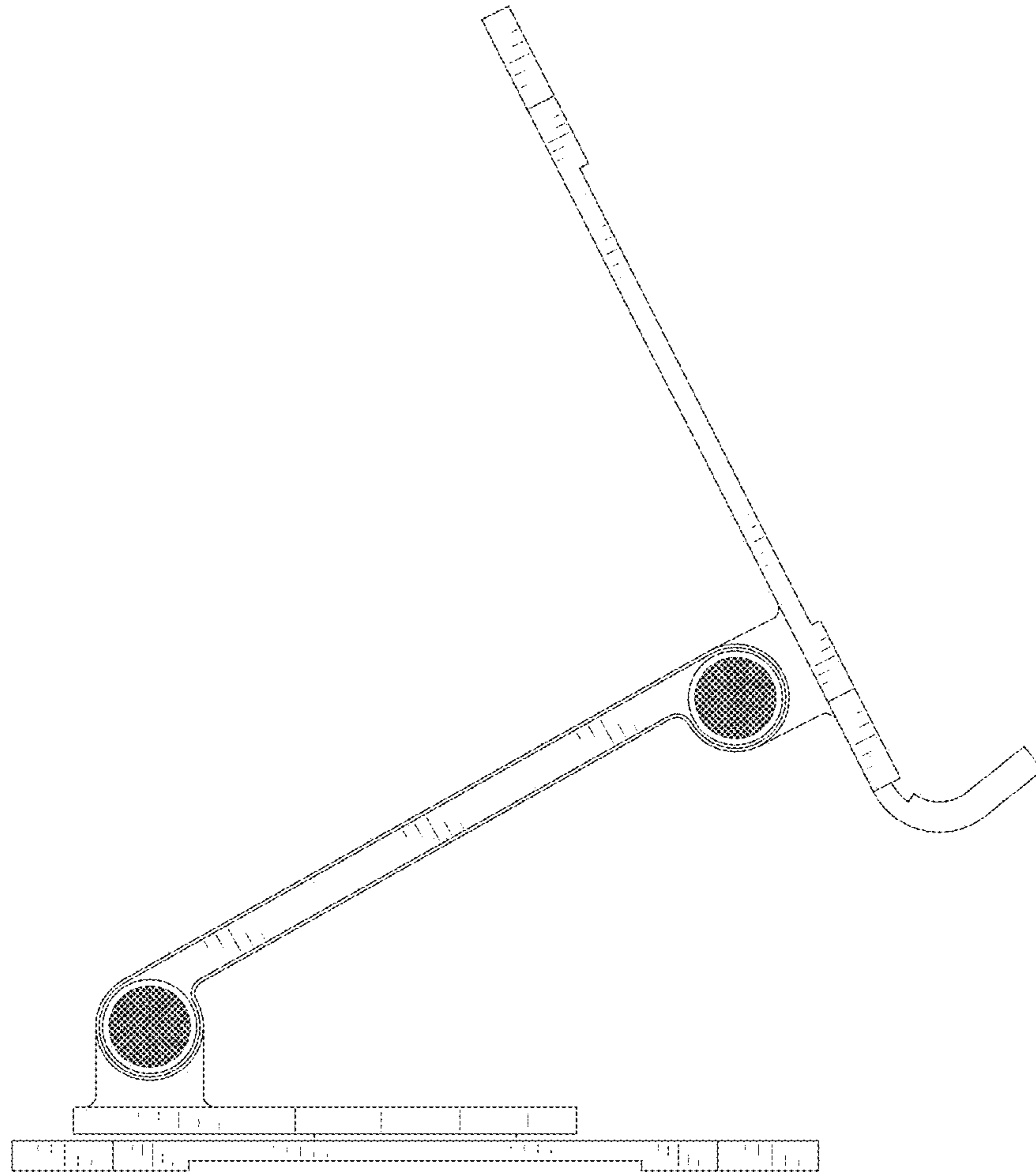


FIG. 6

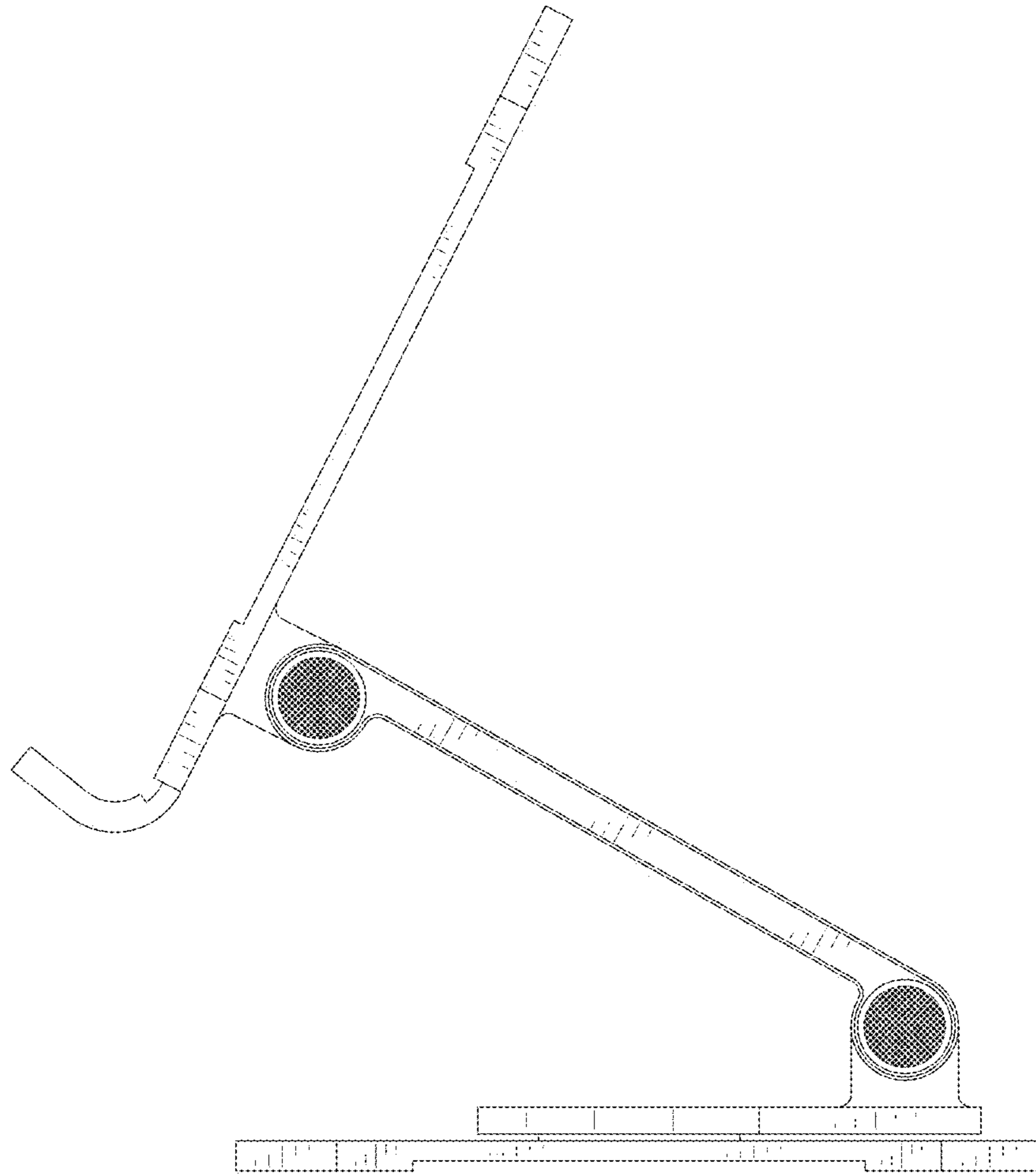


FIG. 7

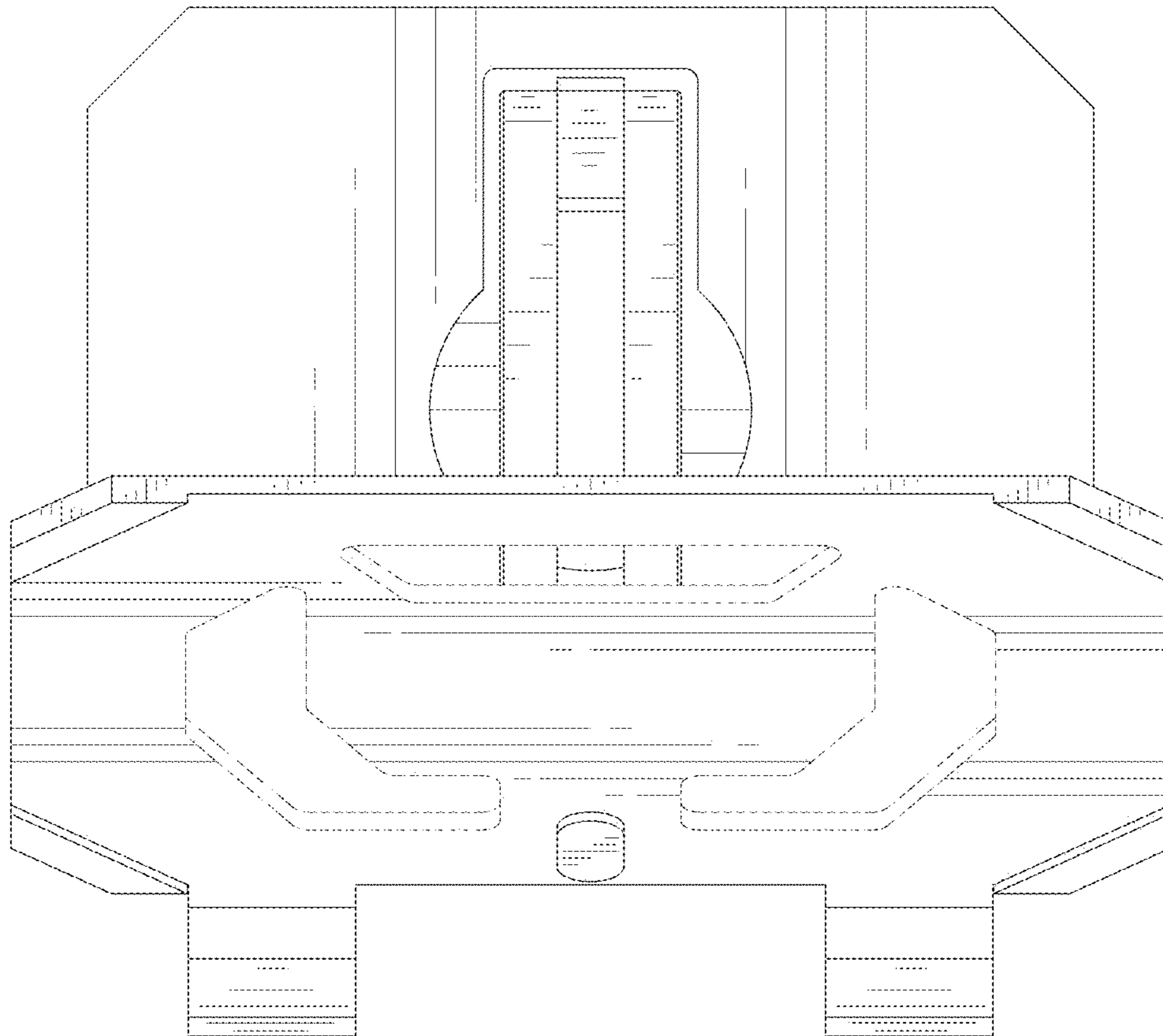


FIG. 8

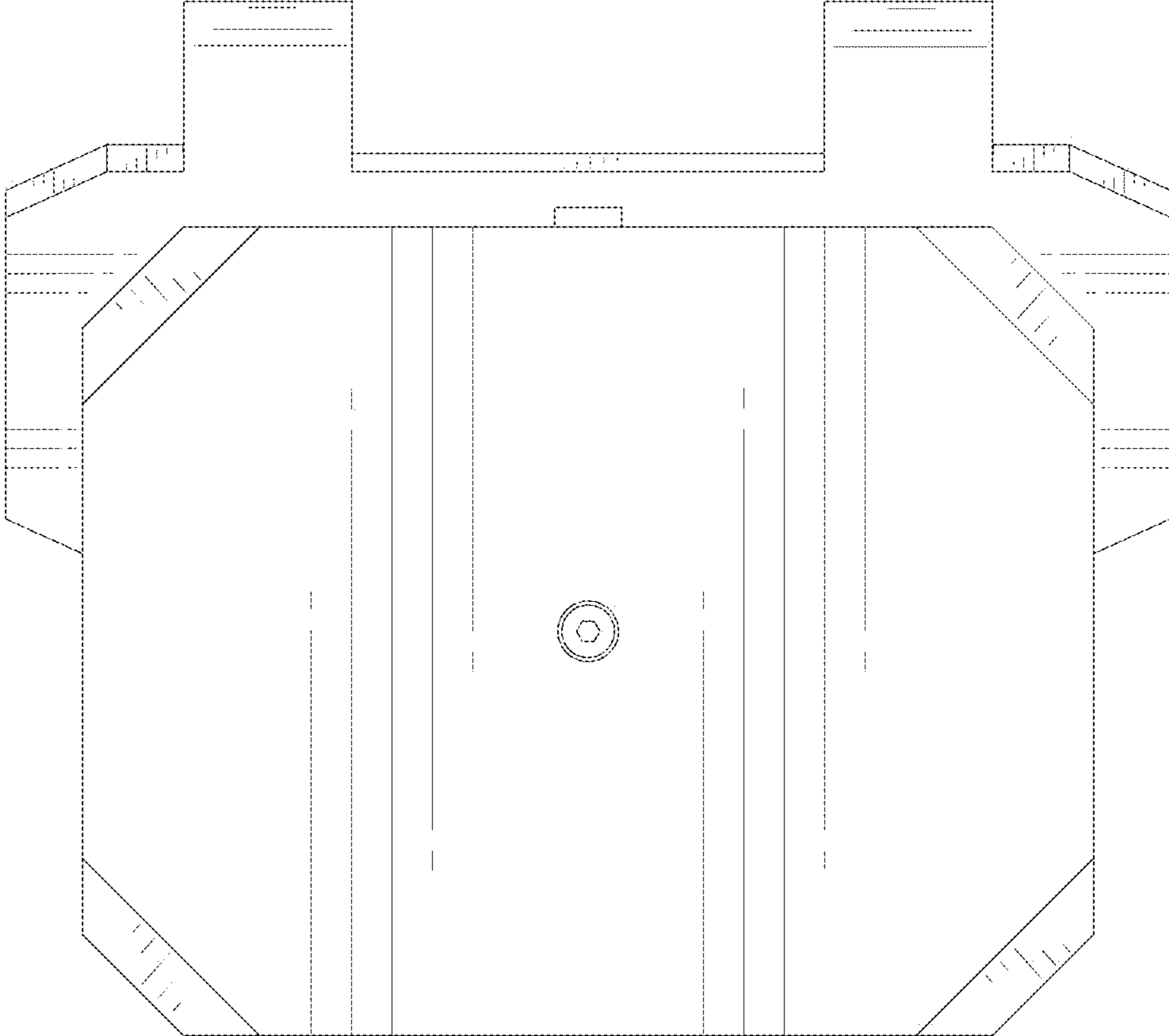


FIG. 9