



US00D970511S

(12) **United States Design Patent**
Deng

(10) **Patent No.:** **US D970,511 S**

(45) **Date of Patent:** **** Nov. 22, 2022**

(54) **TABLET PILLOW STAND**

(71) Applicant: **Shenzhen Lamiku Technology CO., LTD.**, Shenzhen (CN)

(72) Inventor: **Xiaoming Deng**, Shenzhen (CN)

(73) Assignee: **Shenzhen Lamiku Technology CO., LTD.**, Shenzhen (CN)

(**) Term: **15 Years**

(21) Appl. No.: **29/796,002**

(22) Filed: **Jun. 22, 2021**

(51) **LOC (13) Cl.** **14-03**

(52) **U.S. Cl.**
USPC **D14/447**

(58) **Field of Classification Search**
USPC D14/447, 432, 434, 439, 440, 451, 452,
D14/457, 239, 253, 250; D8/363, 373,
D8/380; D6/406.3, 406.4, 406.5, 406.6;
D12/415; D19/91; D3/218
CPC A47B 21/04; A47B 2097/006; A47B
2097/005; A47B 2023/049; A45C
2011/002; A45C 2011/003; F16M
2200/00; F16M 13/00; A45F 2200/0516;
A45F 2200/0525

See application file for complete search history.

(56) **References Cited**

U.S. PATENT DOCUMENTS

D399,727 S * 10/1998 Richter D8/380
D643,845 S * 8/2011 Hong D14/447
D647,881 S * 11/2011 Warner D14/238.1
D696,258 S * 12/2013 Padilla D14/447

D703,216 S * 4/2014 Klepar D14/447
D728,254 S * 5/2015 Karnes-Toth D6/406.4
D768,138 S * 10/2016 Malsan D14/447
D842,849 S * 3/2019 Yun D14/253
D879,791 S * 3/2020 Li D14/447
D881,022 S * 4/2020 Long D10/2
D907,640 S 1/2021 Huang
D918,216 S 5/2021 Sheng
D925,544 S * 7/2021 Li D14/447
D928,791 S * 8/2021 Li D14/447
D933,076 S * 10/2021 Harper D14/447

* cited by examiner

Primary Examiner — Angela J Lee

(74) *Attorney, Agent, or Firm* — ScienBiziP, P.C.

(57) **CLAIM**

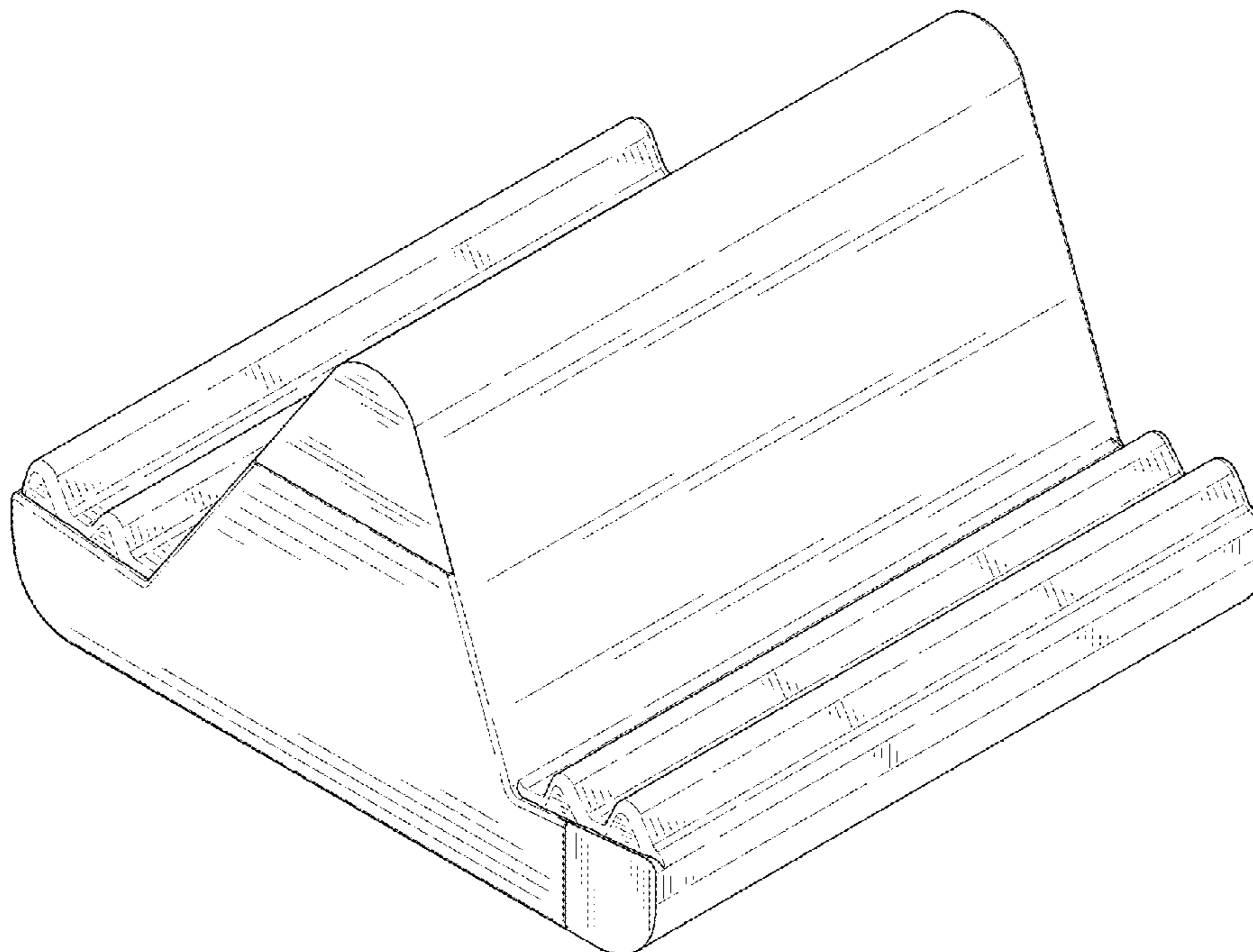
The ornamental design for a tablet pillow stand, as shown and described.

DESCRIPTION

FIG. 1 is a front, left, and top perspective view of a tablet pillow stand, showing my design.
FIG. 2 is a rear, right, and bottom perspective view thereof.
FIG. 3 is a front elevation view thereof.
FIG. 4 is a rear elevation view thereof.
FIG. 5 is a left side elevation view thereof.
FIG. 6 is a right side elevation view thereof.
FIG. 7 is a top plan view thereof.
FIG. 8 is a bottom plan view thereof; and,
FIG. 9 is another perspective view of the tablet pillow stand, but showing the tablet pillow stand in use with a cell phone shown in broken lines.

The broken lines shown in the drawings represent environment that form no part of the claimed design.

1 Claim, 9 Drawing Sheets



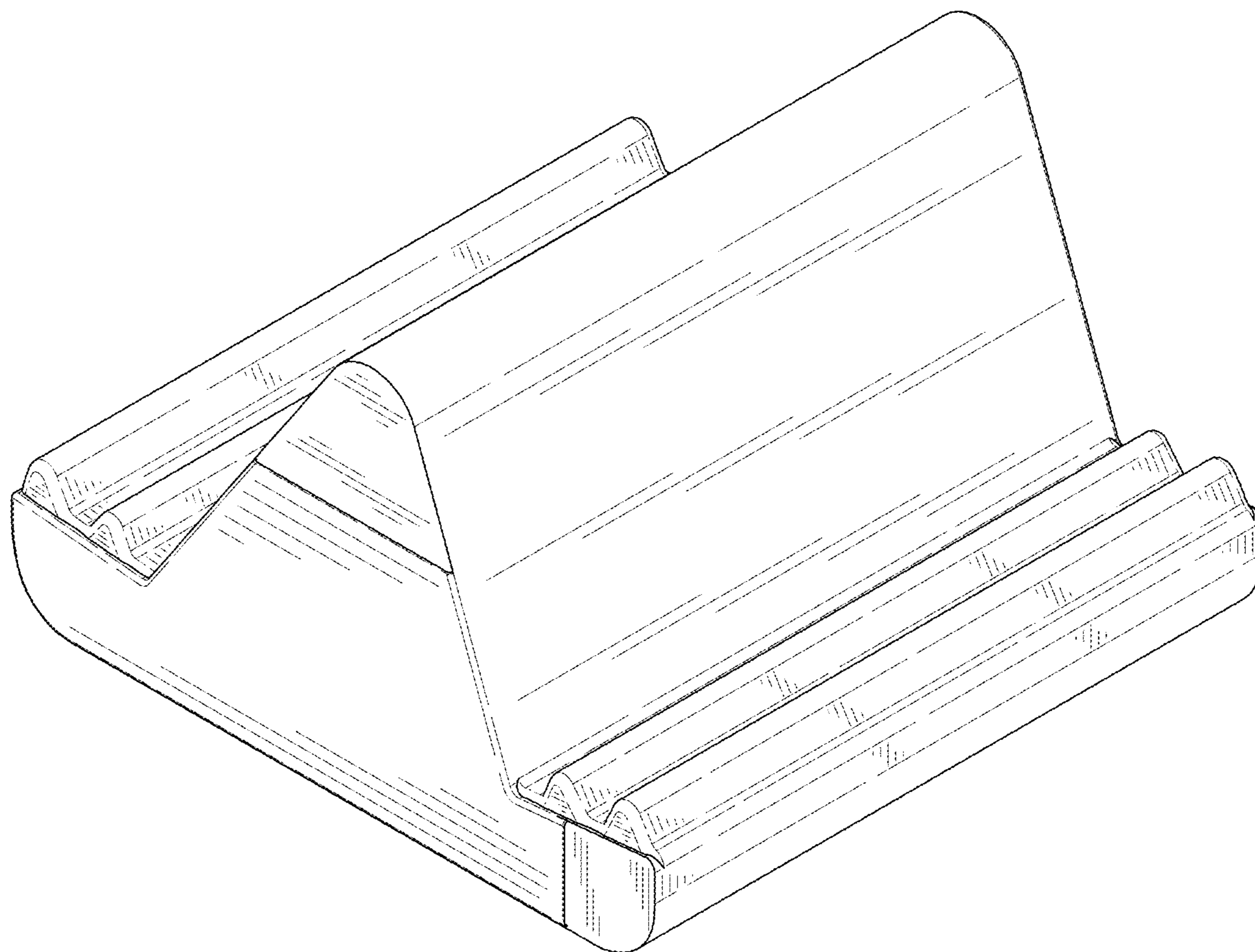


FIG. 1

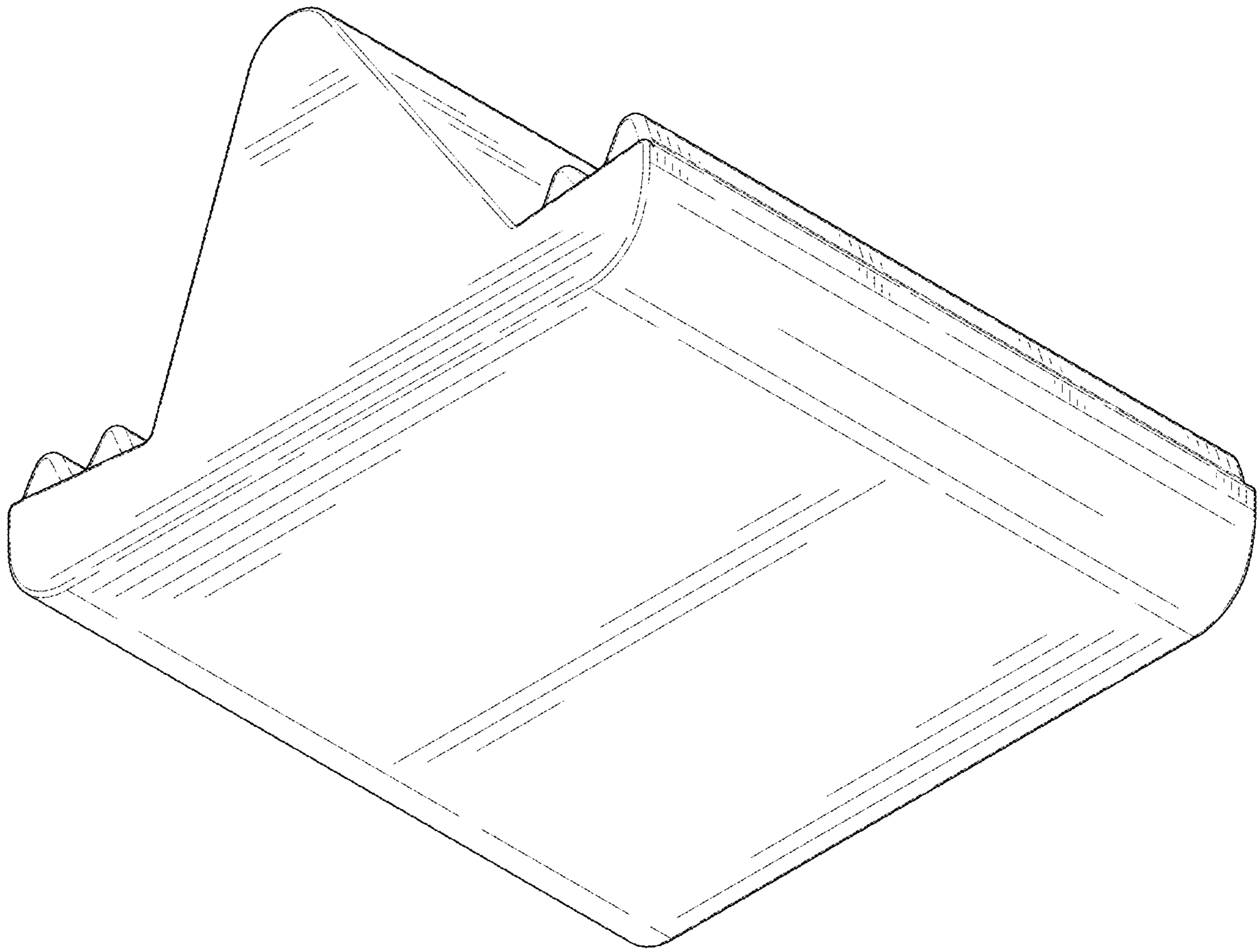


FIG. 2

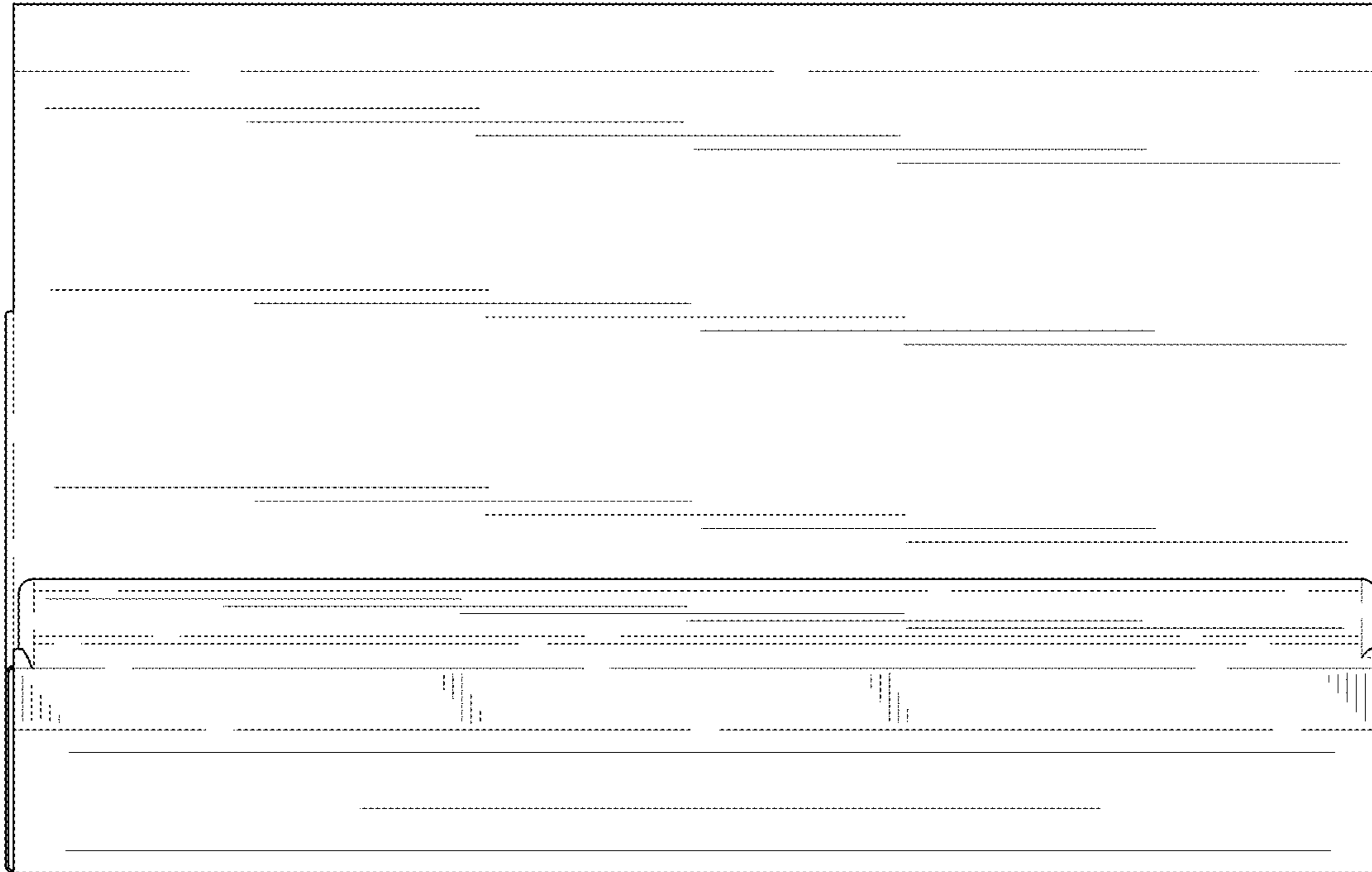


FIG. 3



FIG. 4

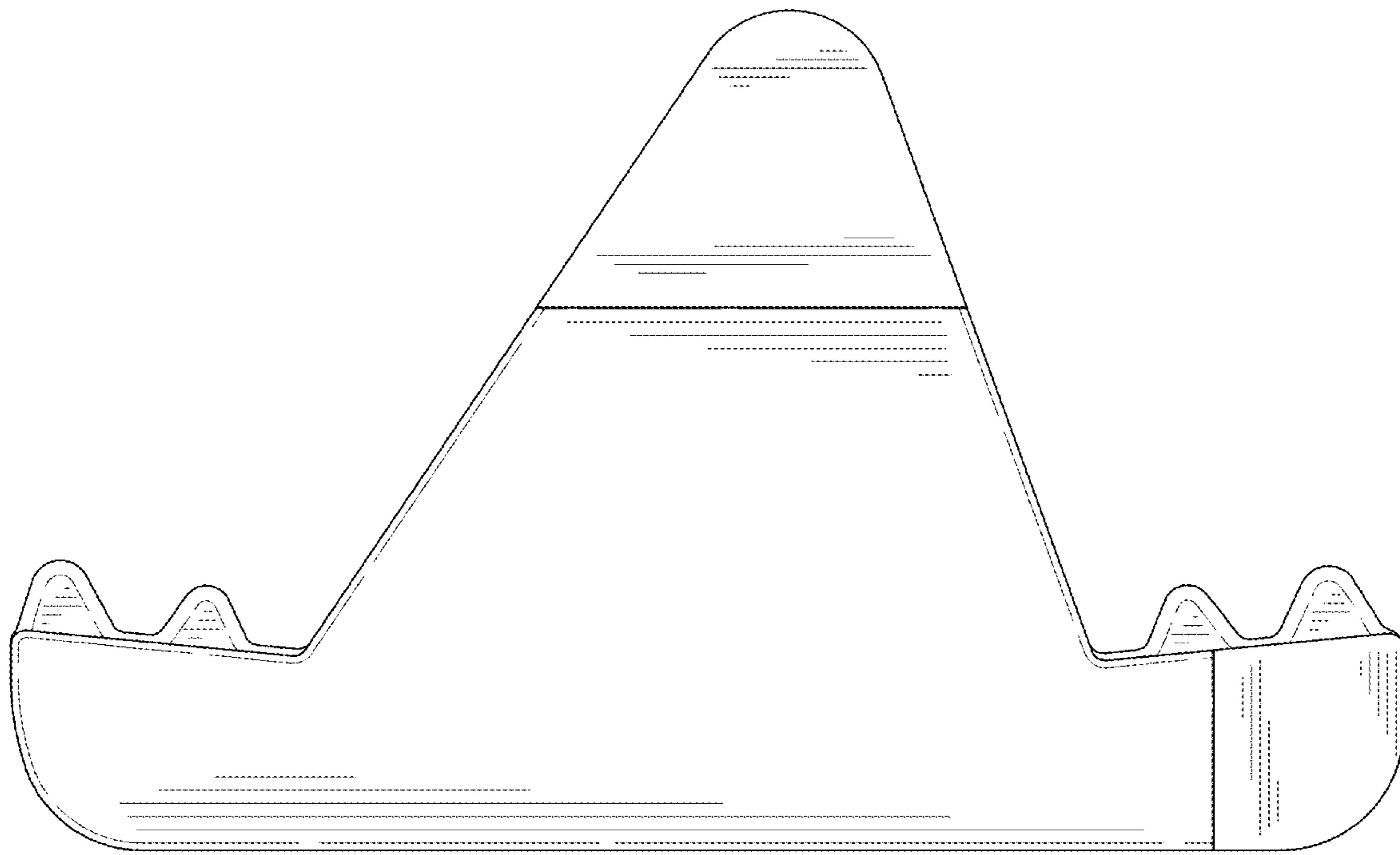


FIG. 5

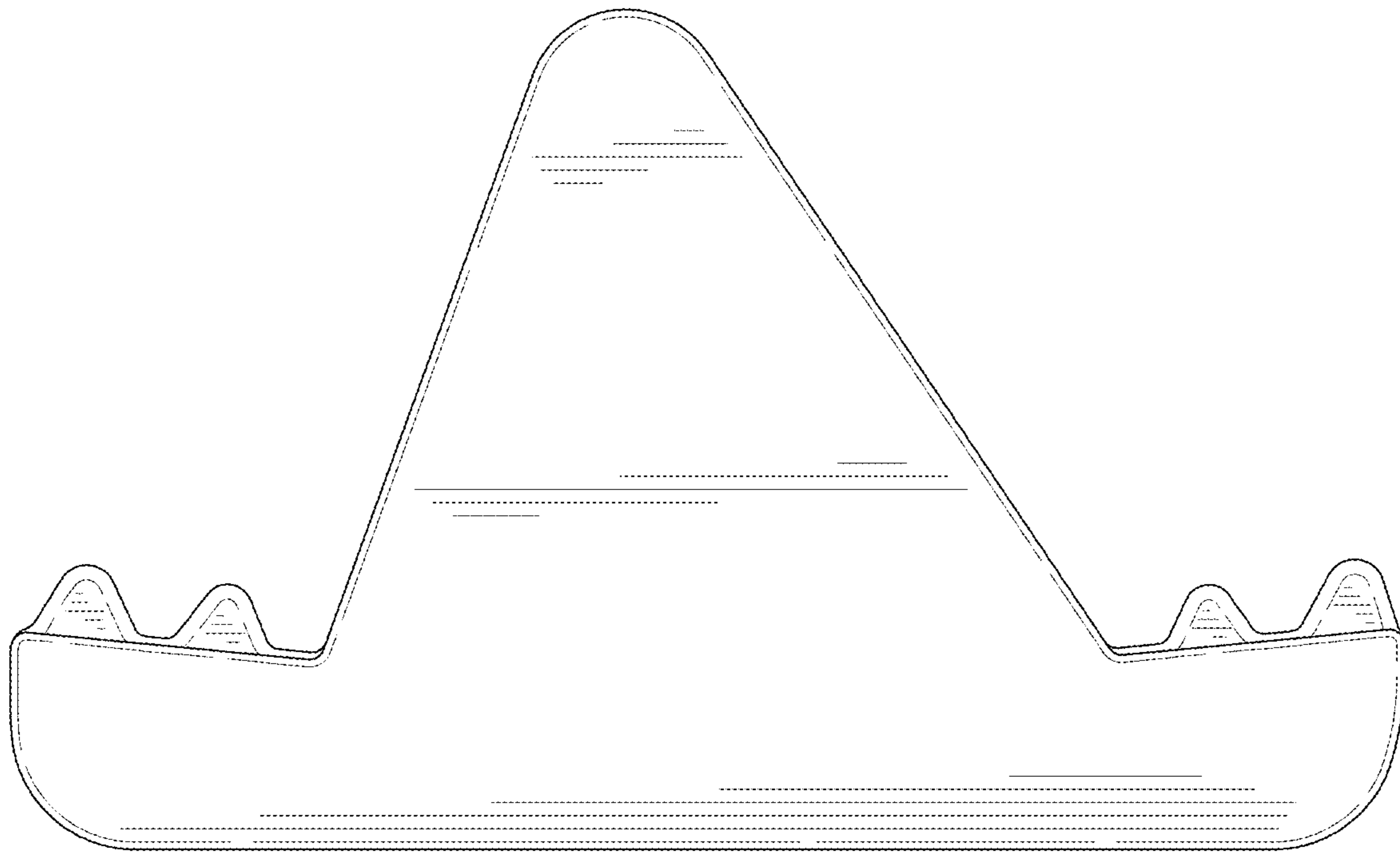


FIG. 6



FIG. 7

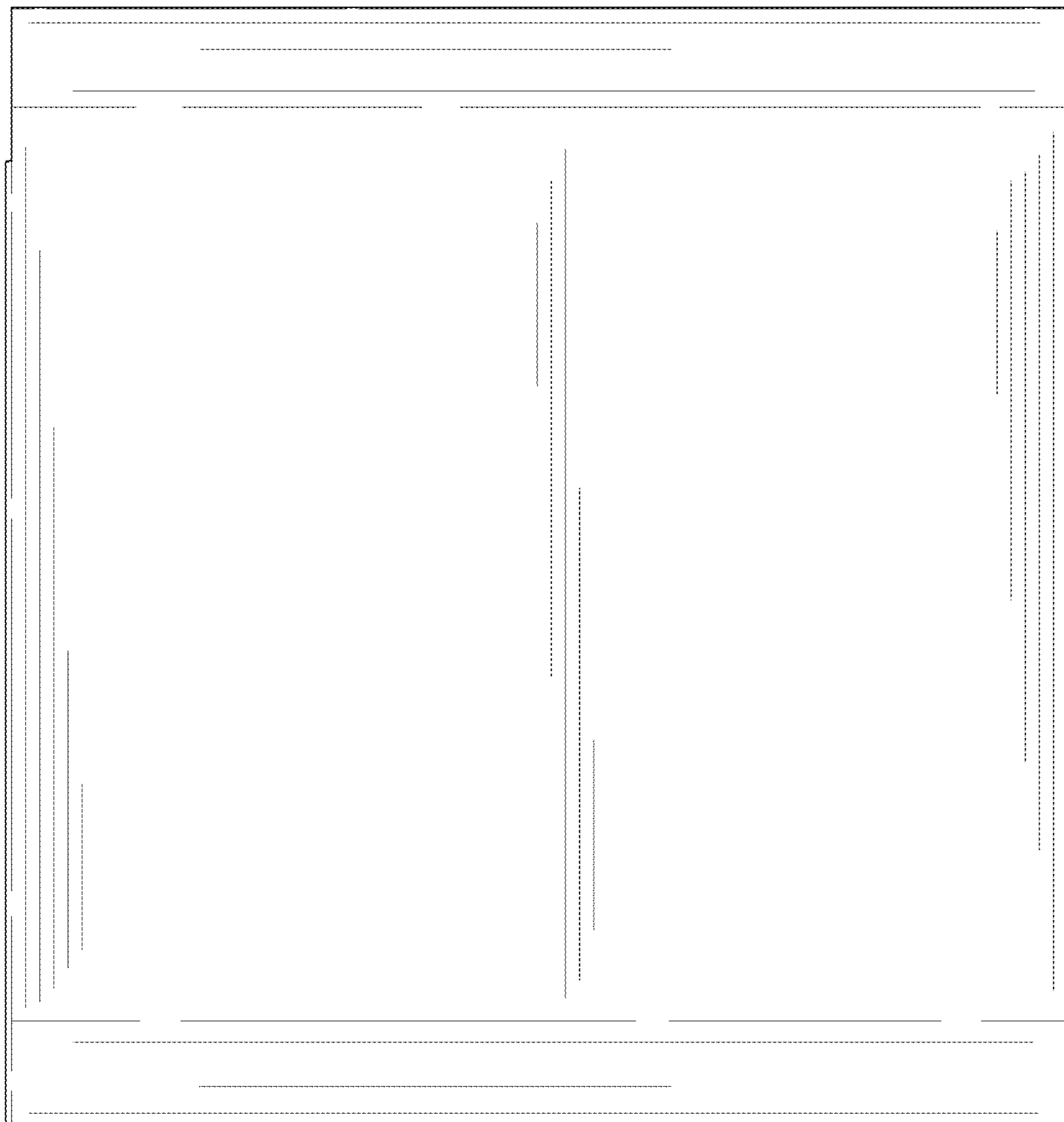


FIG. 8

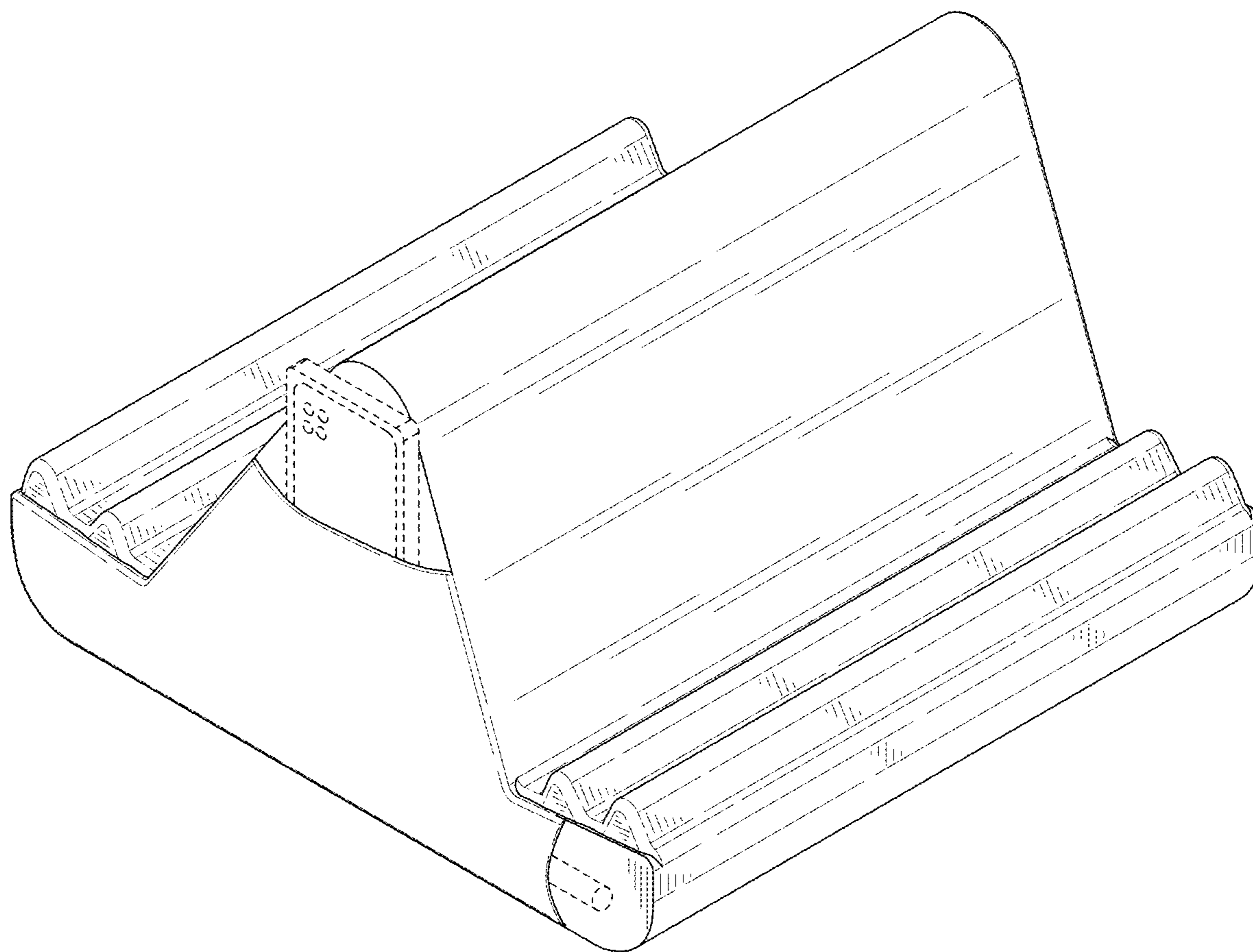


FIG. 9