



US00D970508S

(12) **United States Design Patent** (10) **Patent No.:** **US D970,508 S**  
**Lu et al.** (45) **Date of Patent:** **\*\* Nov. 22, 2022**

(54) **PRIVACY COVER FOR A DEVICE**

(71) Applicant: **Amazon Technologies, Inc.**, Seattle, WA (US)

(72) Inventors: **Wen-Yo Lu**, Pasadena, CA (US); **Christopher Loew**, Palo Alto, CA (US); **Matthew J. England**, Santa Monica, CA (US); **Chia-Wei Chan**, Taipei (TW); **Mark D. Siminoff**, Mountain View, CA (US)

(73) Assignee: **Amazon Technologies, Inc.**, Seattle, WA (US)

(\*\*) Term: **15 Years**

(21) Appl. No.: **29/724,265**

(22) Filed: **Feb. 13, 2020**

(51) **LOC (13) Cl.** ..... **14-02**

(52) **U.S. Cl.**  
USPC ..... **D14/440**

(58) **Field of Classification Search**  
USPC ..... D14/440, 172, 451; D16/203, 219  
CPC ..... F16M 11/2085  
See application file for complete search history.

(56) **References Cited**

U.S. PATENT DOCUMENTS

D379,463 S *	5/1997	Richter	.....	D14/253
D518,861 S *	4/2006	Bingham, Jr.	.....	D21/694
D602,913 S *	10/2009	Han	.....	D14/217
D866,633 S *	11/2019	Siminoff	.....	D16/203
D891,508 S *	7/2020	Hathway	.....	D16/237
D893,504 S *	8/2020	Siminoff	.....	D14/452

D900,122 S *	10/2020	Siminoff	.....	D14/451
D910,733 S *	2/2021	Lennerstedt	.....	D16/203
D916,287 S *	4/2021	Marshall	.....	D24/146
D932,457 S *	10/2021	Lee	.....	D14/496
D932,498 S *	10/2021	Siminoff	.....	D14/452

\* cited by examiner

*Primary Examiner* — Cynthia R Underwood  
(74) *Attorney, Agent, or Firm* — Lee & Hayes, P.C.

(57) **CLAIM**

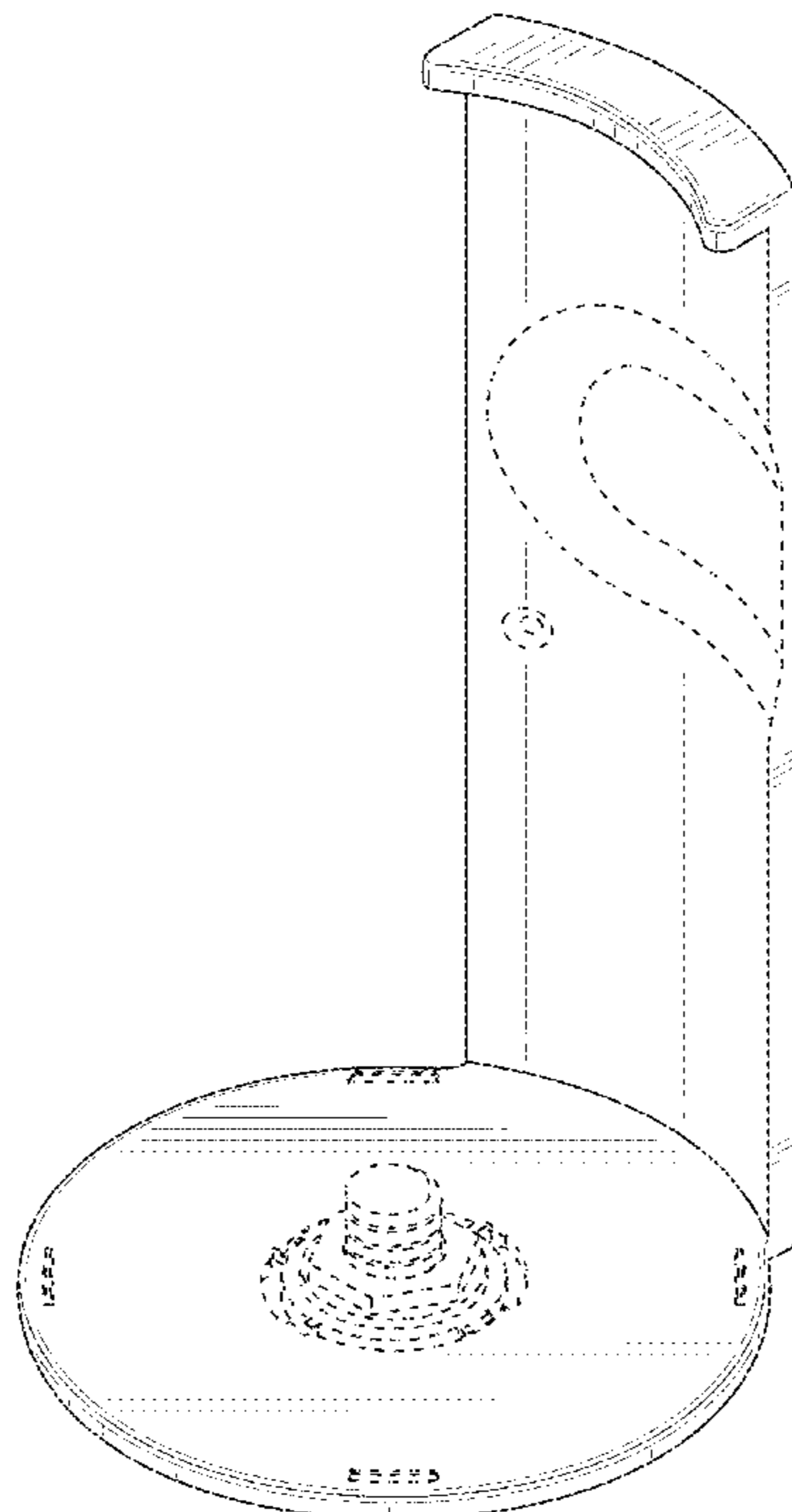
The ornamental design for a privacy cover for a device, as shown and described.

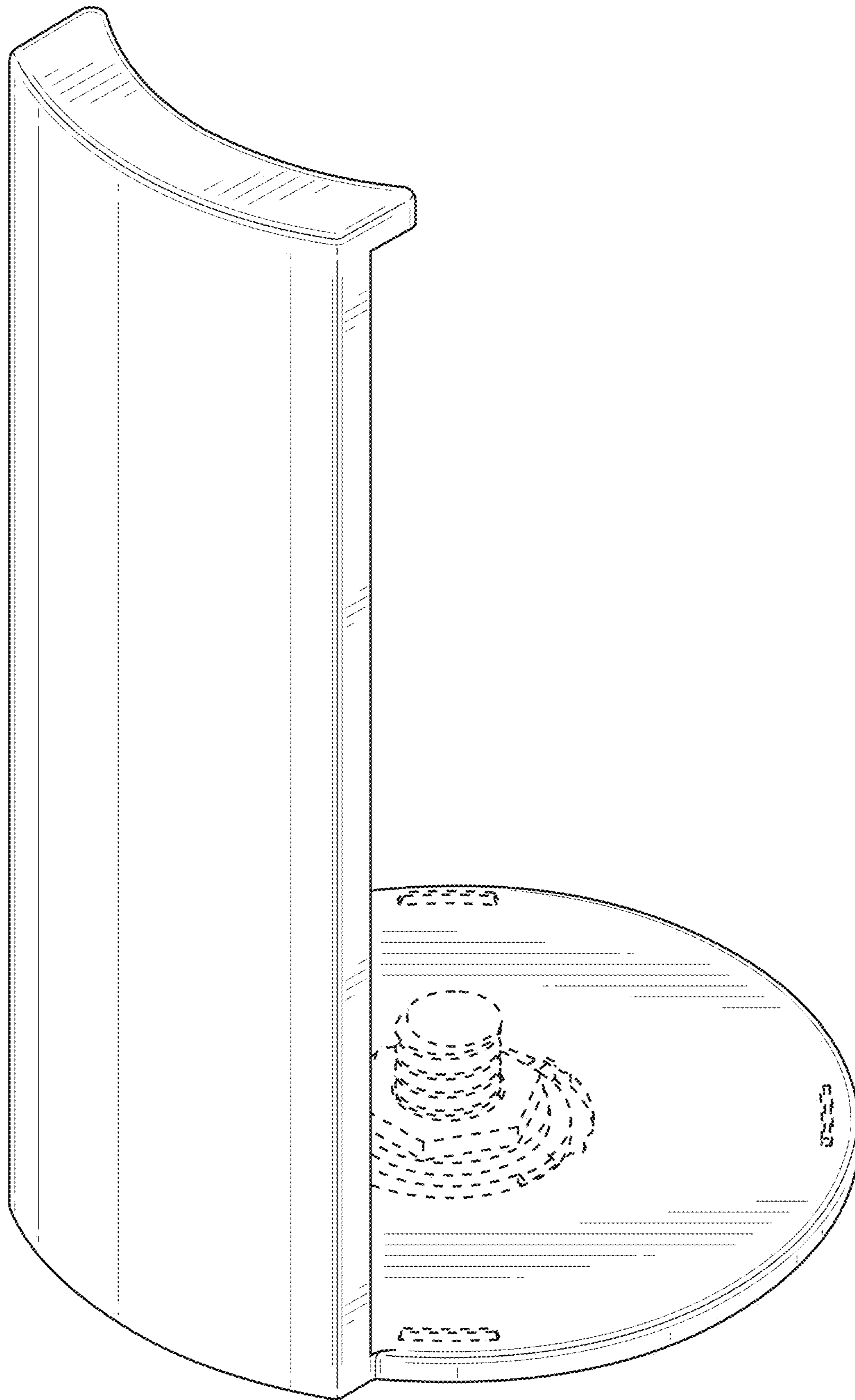
**DESCRIPTION**

FIG. 1 is a top, front, right-side perspective view of a privacy cover for a device;  
FIG. 2 is a top, back, left-side perspective view thereof;  
FIG. 3 is a bottom, back, right-side perspective view thereof;  
FIG. 4 is a bottom, back, left-side perspective view thereof;  
FIG. 5 is a front view thereof;  
FIG. 6 is a back view thereof;  
FIG. 7 is a left-side view thereof;  
FIG. 8 is a right-side view thereof;  
FIG. 9 is a top view thereof;  
FIG. 10 is a bottom view thereof; and,  
FIG. 11 is a top, front, right-side perspective view thereof including a disclaimed device (e.g., camera) for environmental context.

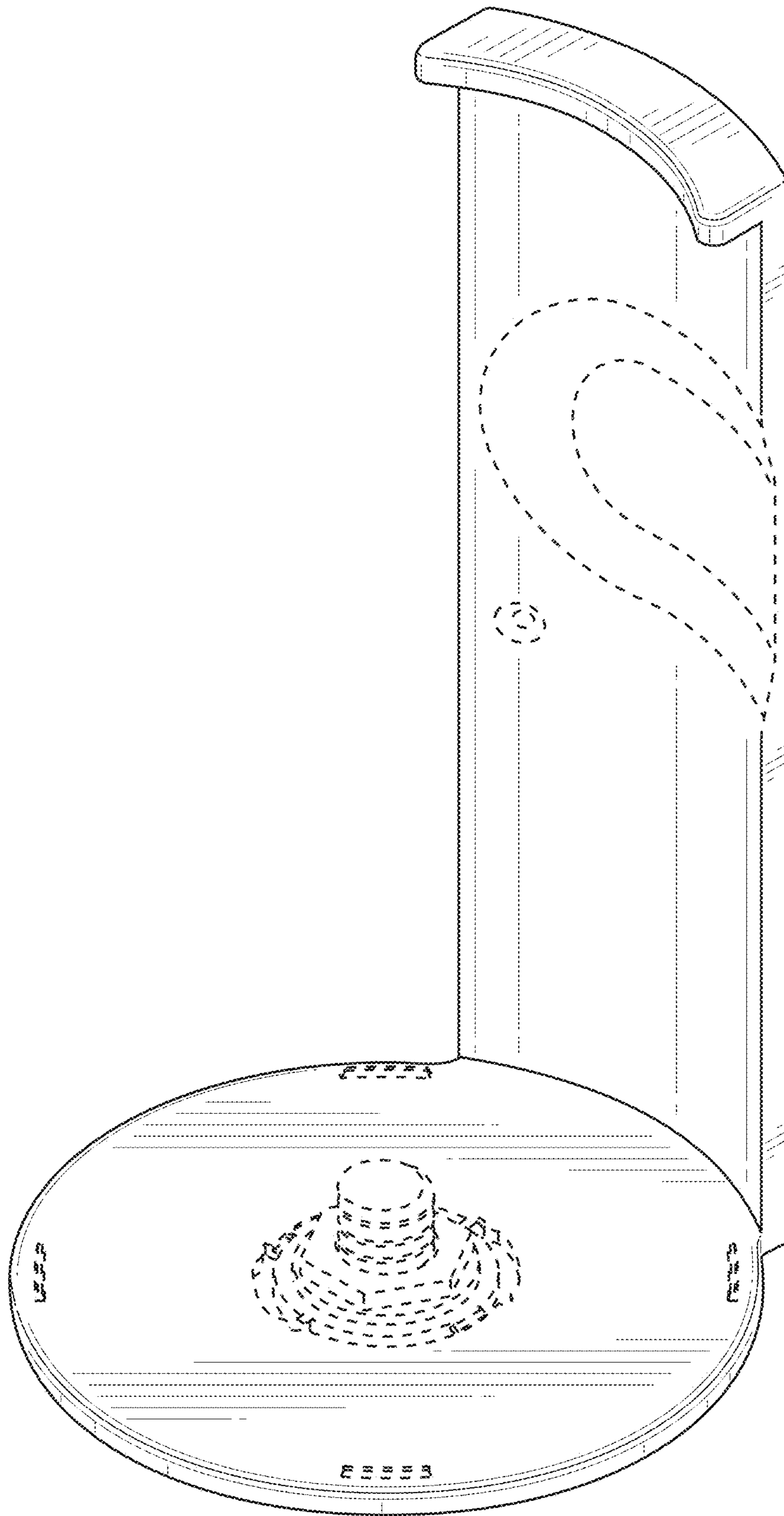
The dashed broken lines depict portions of the privacy cover for a device and/or environment of the privacy cover for a device that form no part of the claimed design.

**1 Claim, 11 Drawing Sheets**

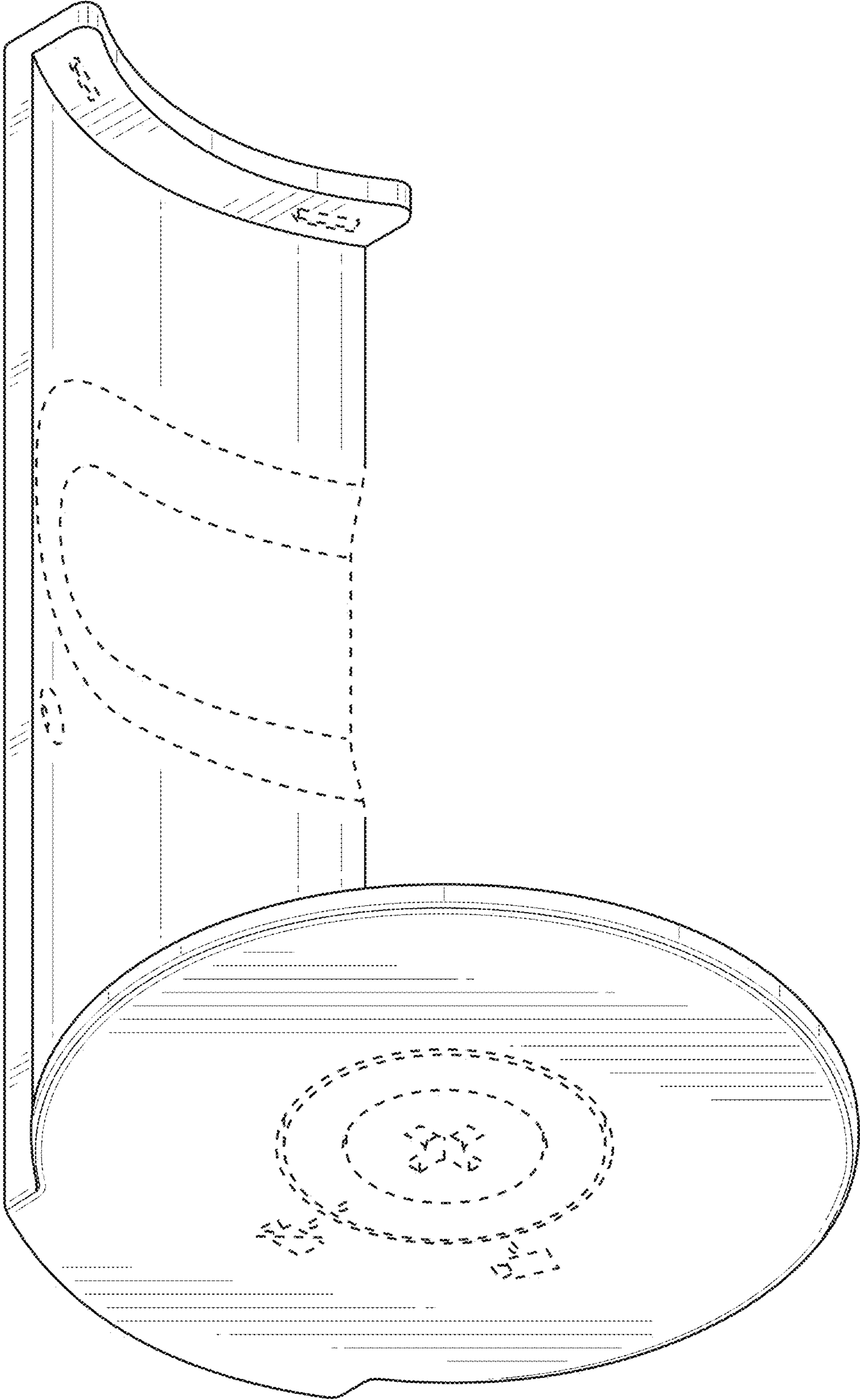




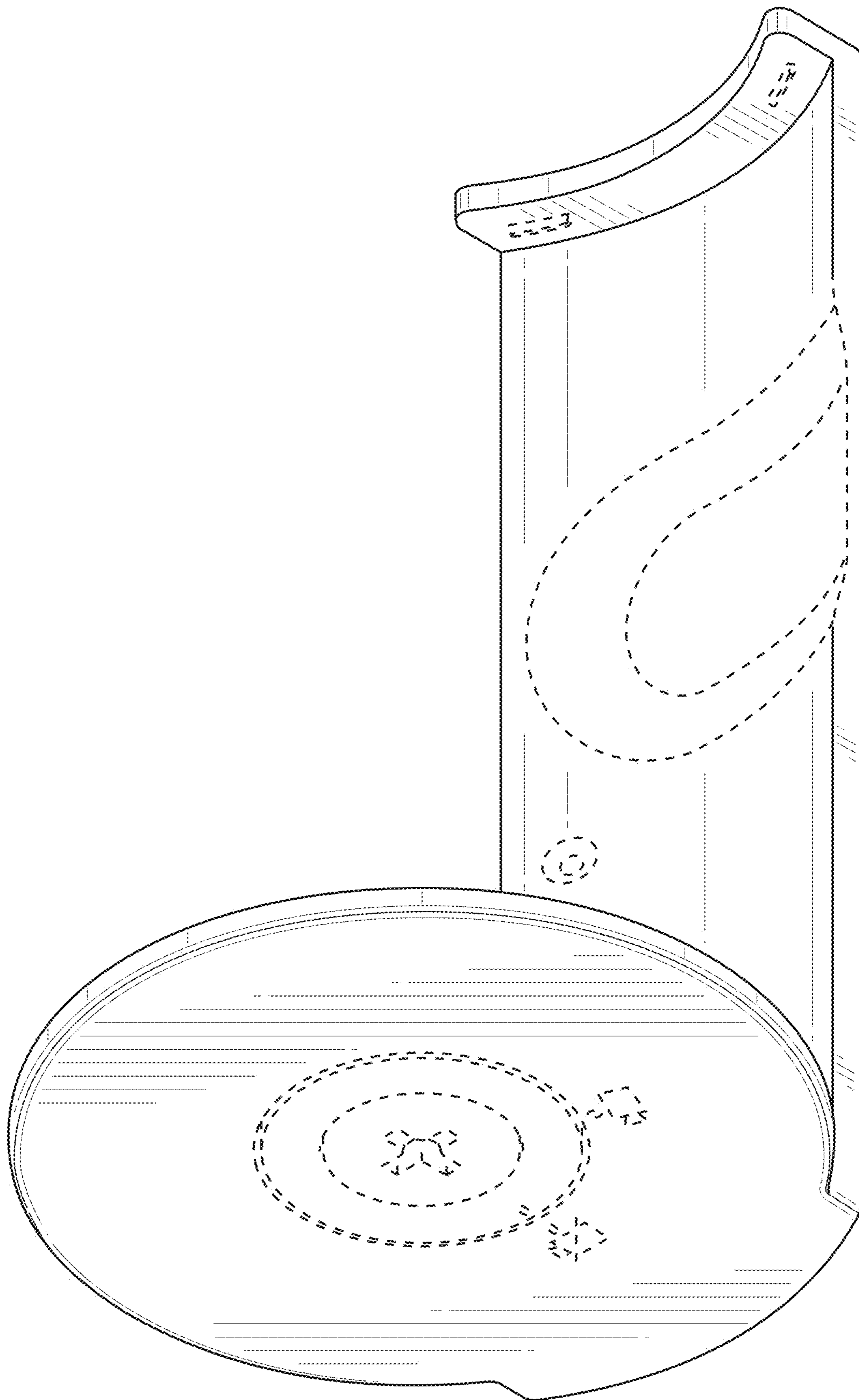
**FIG. 1**



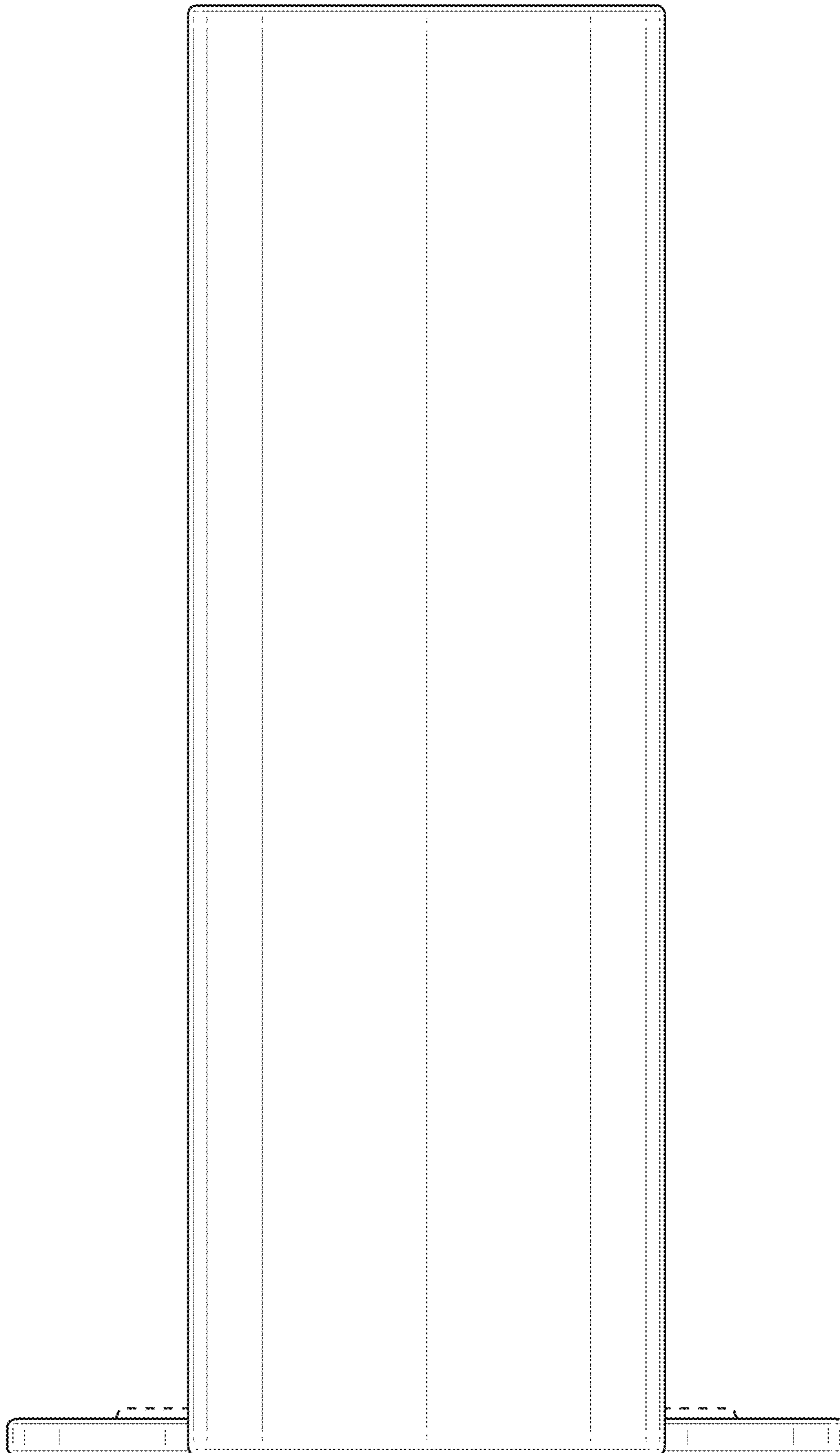
**FIG. 2**



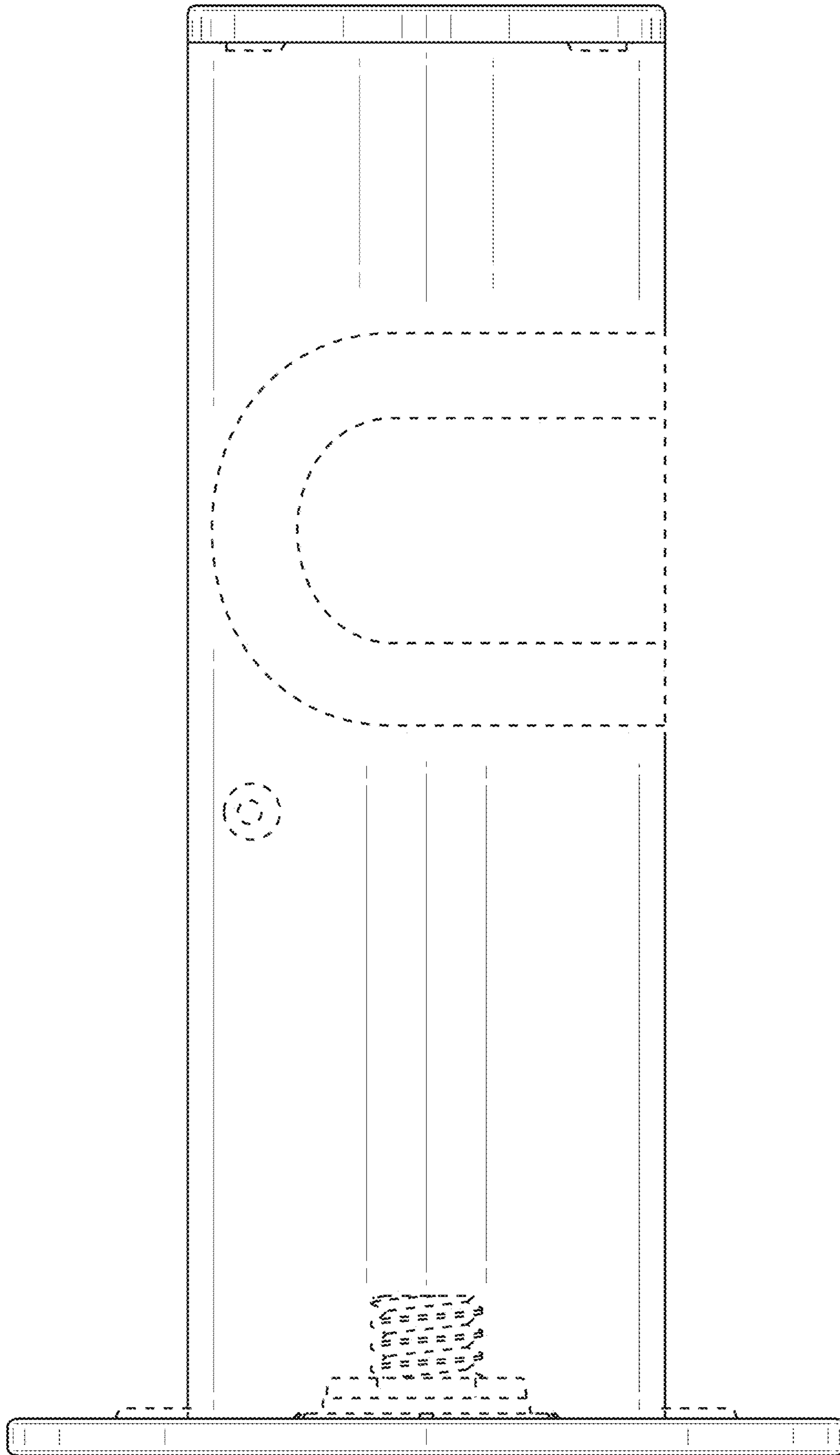
**FIG. 3**



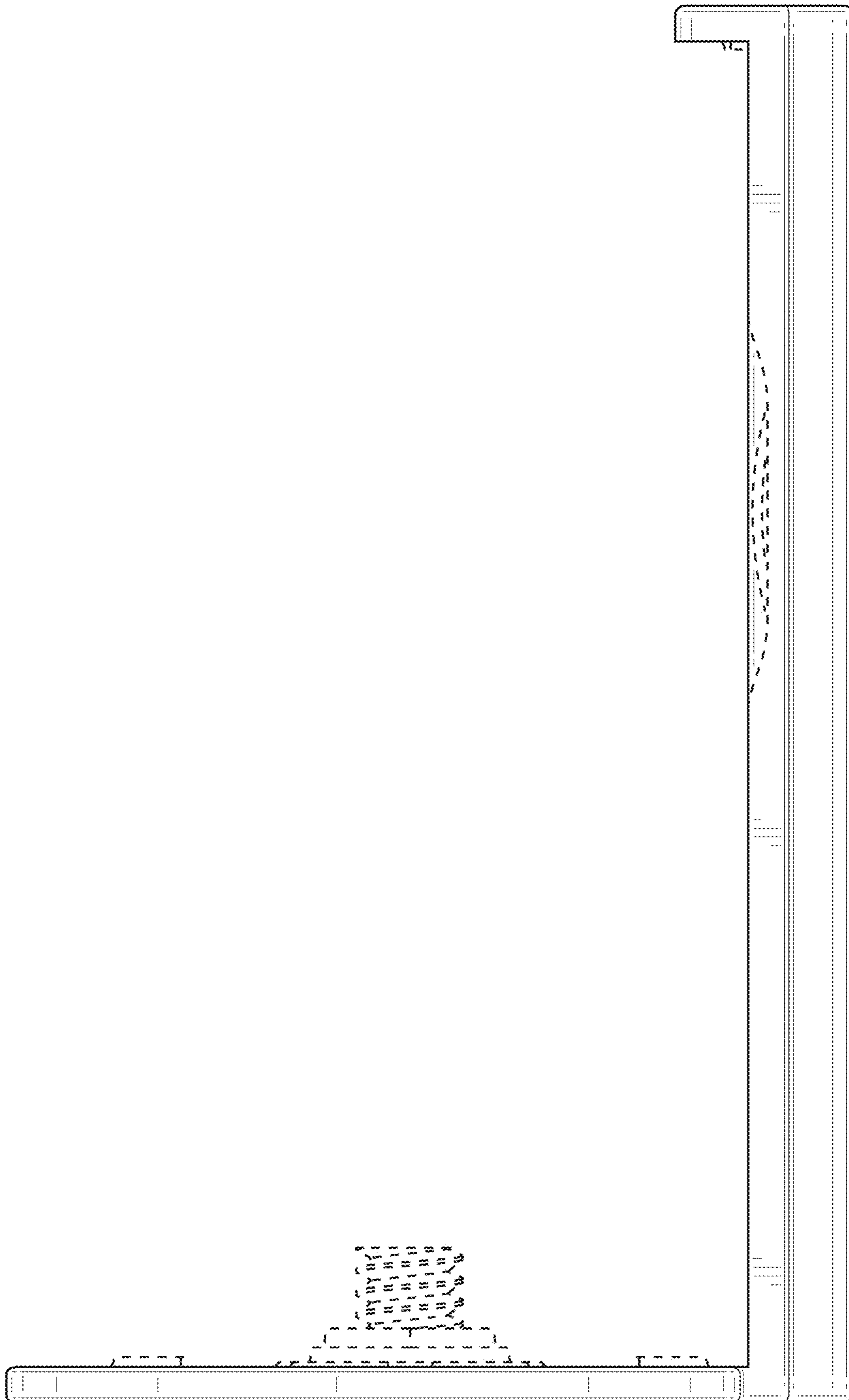
**FIG. 4**



**FIG. 5**



**FIG. 6**

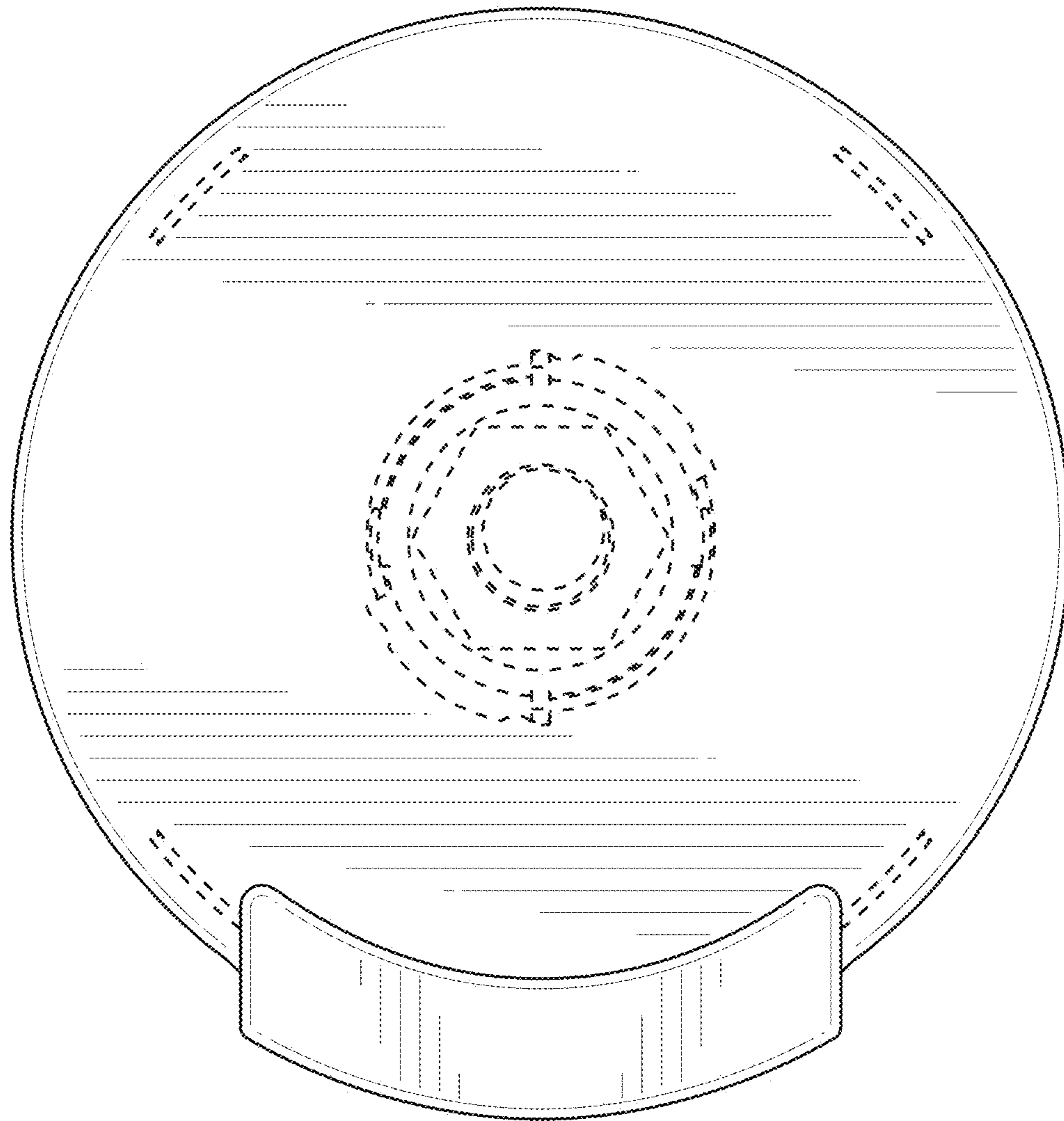


**FIG. 7**

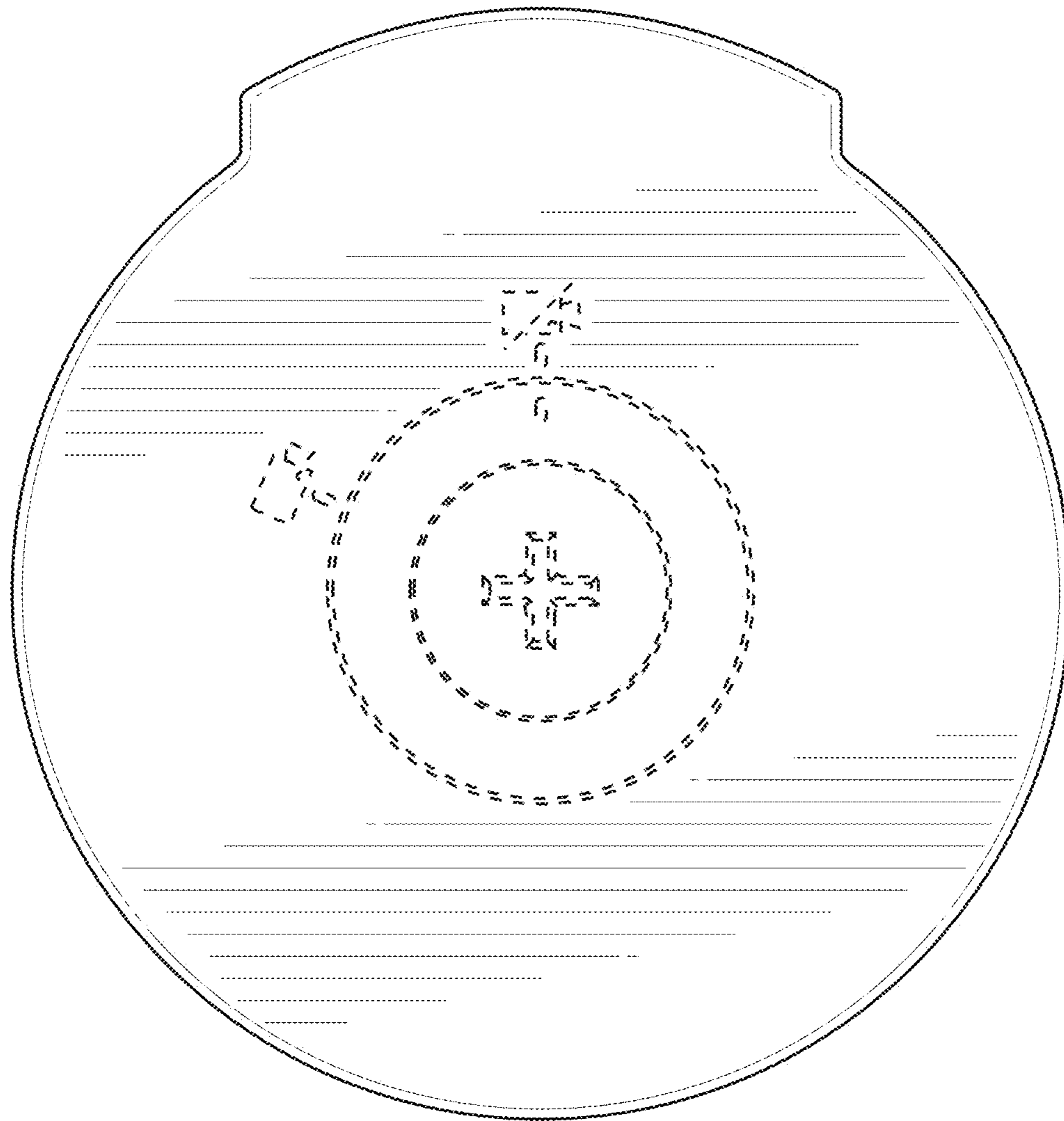




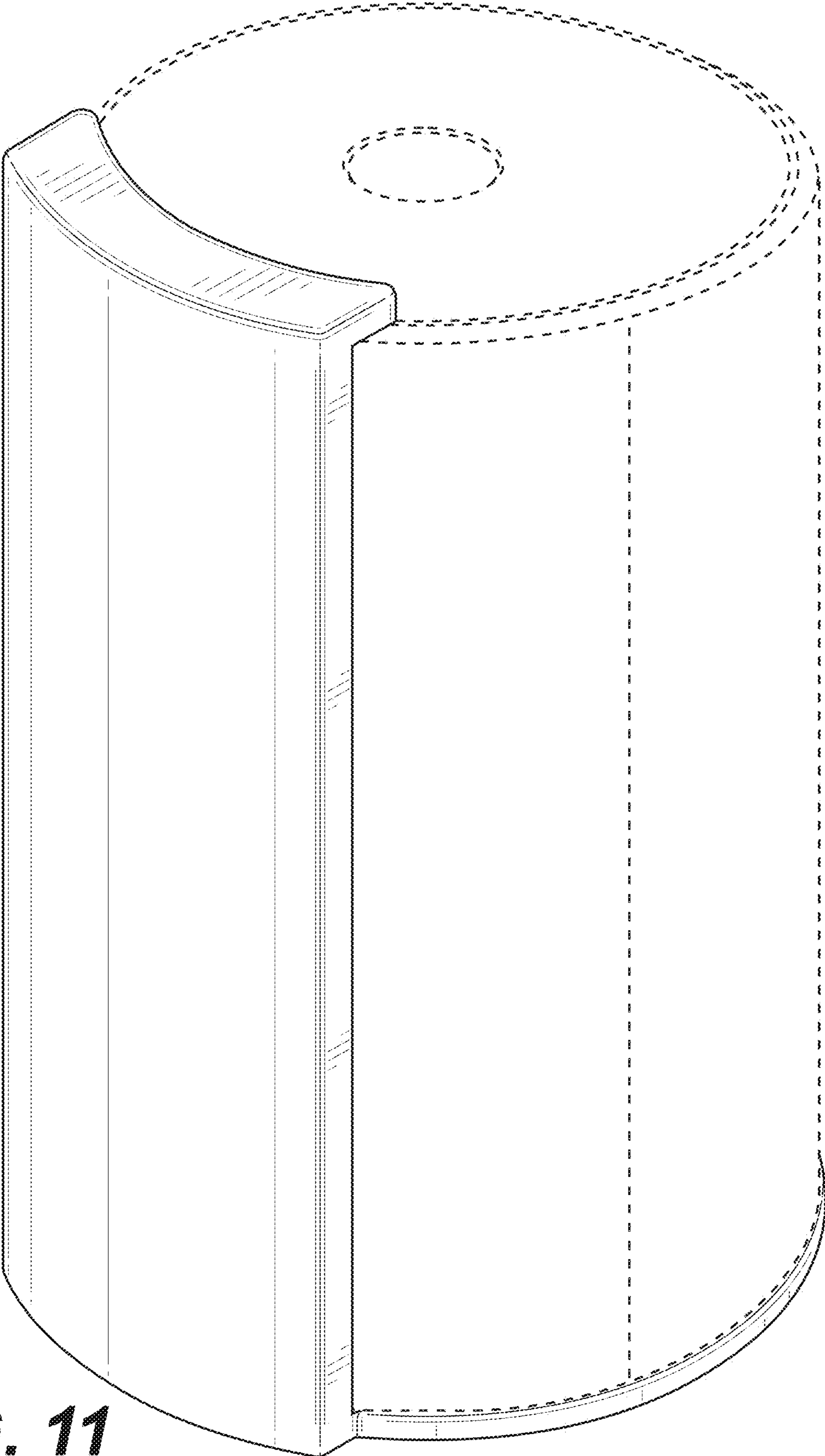
**FIG. 8**



**FIG. 9**



**FIG. 10**



**FIG. 11**