



US00D970507S

(12) **United States Design Patent** (10) **Patent No.:** **US D970,507 S**  
**Wang** (45) **Date of Patent:** **\*\* Nov. 22, 2022**

(54) **USB CONTROLLER SHELL**  
(71) Applicant: **Cuiying Wang**, Lingbao (CN)  
(72) Inventor: **Cuiying Wang**, Lingbao (CN)  
(\*\*) Term: **15 Years**  
(21) Appl. No.: **29/822,045**  
(22) Filed: **Jan. 5, 2022**  
(51) **LOC (13) Cl.** ..... **14-02**  
(52) **U.S. Cl.**  
USPC ..... **D14/434**  
(58) **Field of Classification Search**  
USPC ..... D14/434, 440, 447, 432, 433, 451, 452,  
D14/454, 455, 356, 358, 357, 315, 320,  
D14/322, 326, 392, 251–253, 217, 299,  
D14/496, 168, 172, 125, 240; D13/103,  
D13/107–108, 118–119, 184, 110;  
D18/12, 12.1, 12.3  
CPC ..... G06F 1/16; G06F 1/1616; G06F 1/1626;  
G06F 1/1632; G06F 1/1684; G06F  
1/1688; G06F 1/266; G06F 13/00; G06F  
13/12; G06F 13/14; G06F 13/20; G06F  
13/382; G06F 13/4022; F16M 11/10;  
F16M 11/20; H02J 52/025; H02J 7/0042;  
H02J 7/00; H02J 7/0027; H02J 7/0044;  
H02J 7/0045; H02J 7/335; H02J 7/025;  
H04R 1/025; H04R 5/04; H01R 31/065;  
H01M 10/44  
See application file for complete search history.

D821,309 S \* 6/2018 Barnard ..... D13/108  
D855,570 S \* 8/2019 Vladimirovich ..... D13/133  
D872,728 S \* 1/2020 Matsumoto ..... D14/480.5  
(Continued)

**FOREIGN PATENT DOCUMENTS**

CN 305618617 S 2/2020  
CN 305688307 S 4/2020  
(Continued)

**OTHER PUBLICATIONS**

Chromecast vs Roku, first available Aug. 21, 2014, expertreviews.co.uk, [online], [site visited Feb. 6, 2022], Available from internet URL: <https://www.expertreviews.co.uk/tvs-entertainment/media-streamers/1401095/chromecast-vs-roku-streaming-stick-which-is-best> (Year: 2014).\*  
(Continued)

*Primary Examiner* — W. A. Teddy Falloway  
*Assistant Examiner* — Holly M Rodriguez  
(74) *Attorney, Agent, or Firm* — Wayne IP LLC

(57) **CLAIM**

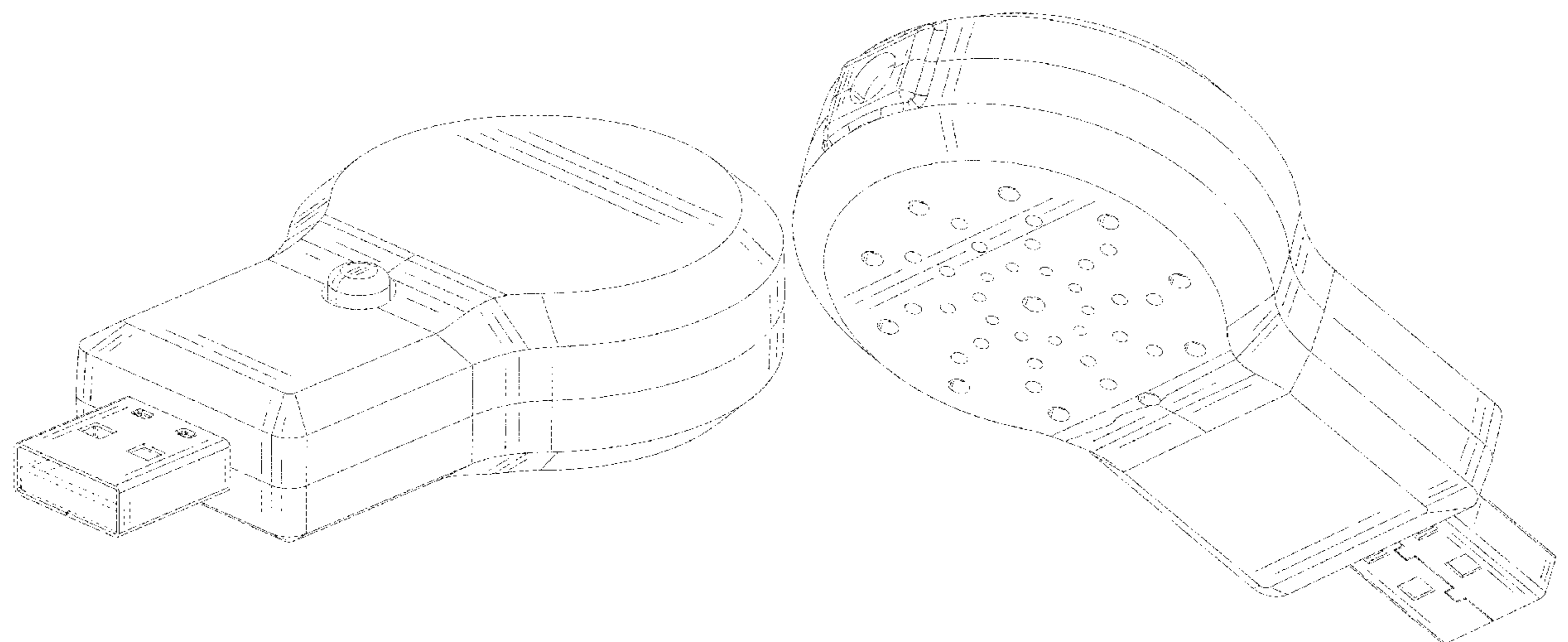
The ornamental design for a USB controller shell, as shown and described.

**DESCRIPTION**

FIG. 1 is a front, left, bottom perspective view of a USB controller shell showing our new design;  
FIG. 2 is a back, right, top perspective view thereof;  
FIG. 3 is a front view thereof;  
FIG. 4 is a back view thereof;  
FIG. 5 is an enlarged left view thereof;  
FIG. 6 is an enlarged right view thereof;  
FIG. 7 is a top view thereof; and,  
FIG. 8 is a bottom view thereof.  
The broken lines shown on the drawings depict portions of the USB controller shell that form no part of the claimed design.

**1 Claim, 7 Drawing Sheets**

(56) **References Cited**  
**U.S. PATENT DOCUMENTS**  
D513,231 S \* 12/2005 Han ..... D13/147  
D516,031 S \* 2/2006 Han ..... D13/147  
D523,015 S \* 6/2006 Loftus ..... D14/480.1  
D534,448 S \* 1/2007 Shaffer, II ..... D10/104.1  
D673,963 S \* 1/2013 Blaustein ..... D14/480.6  
D685,808 S \* 7/2013 Billington ..... D14/480.6  
D719,171 S \* 12/2014 Erickson ..... D14/480.1



(56)

**References Cited**

U.S. PATENT DOCUMENTS

D905,693 S \* 12/2020 Xie ..... D14/435.1  
D917,479 S \* 4/2021 Deng ..... D14/388  
D917,480 S \* 4/2021 Lu ..... D14/388  
D941,256 S \* 1/2022 Jia ..... D14/125  
D950,357 S \* 5/2022 Zumbrum ..... D8/349  
D950,572 S \* 5/2022 Song ..... D14/480.1  
D958,150 S \* 7/2022 Song ..... D14/480.1

FOREIGN PATENT DOCUMENTS

CN 202130602792.0 \* 9/2021  
CN 307041817 S 12/2021

OTHER PUBLICATIONS

Zone 3 Round USB Drive with Rectangle End ideastage.com,  
[online], [site visited Sep. 27, 2022], Available from internet URL:  
<https://www.ideastage.com/Zone-3-Round-USB-Drive-with-Rectangle-End---128-Mb-113472430?gclid=EAIaIQobChMIIsuiAhdu4-gIVF4nICh0mkA7wE%E2%80%A6> (Year: 2022).\*

\* cited by examiner

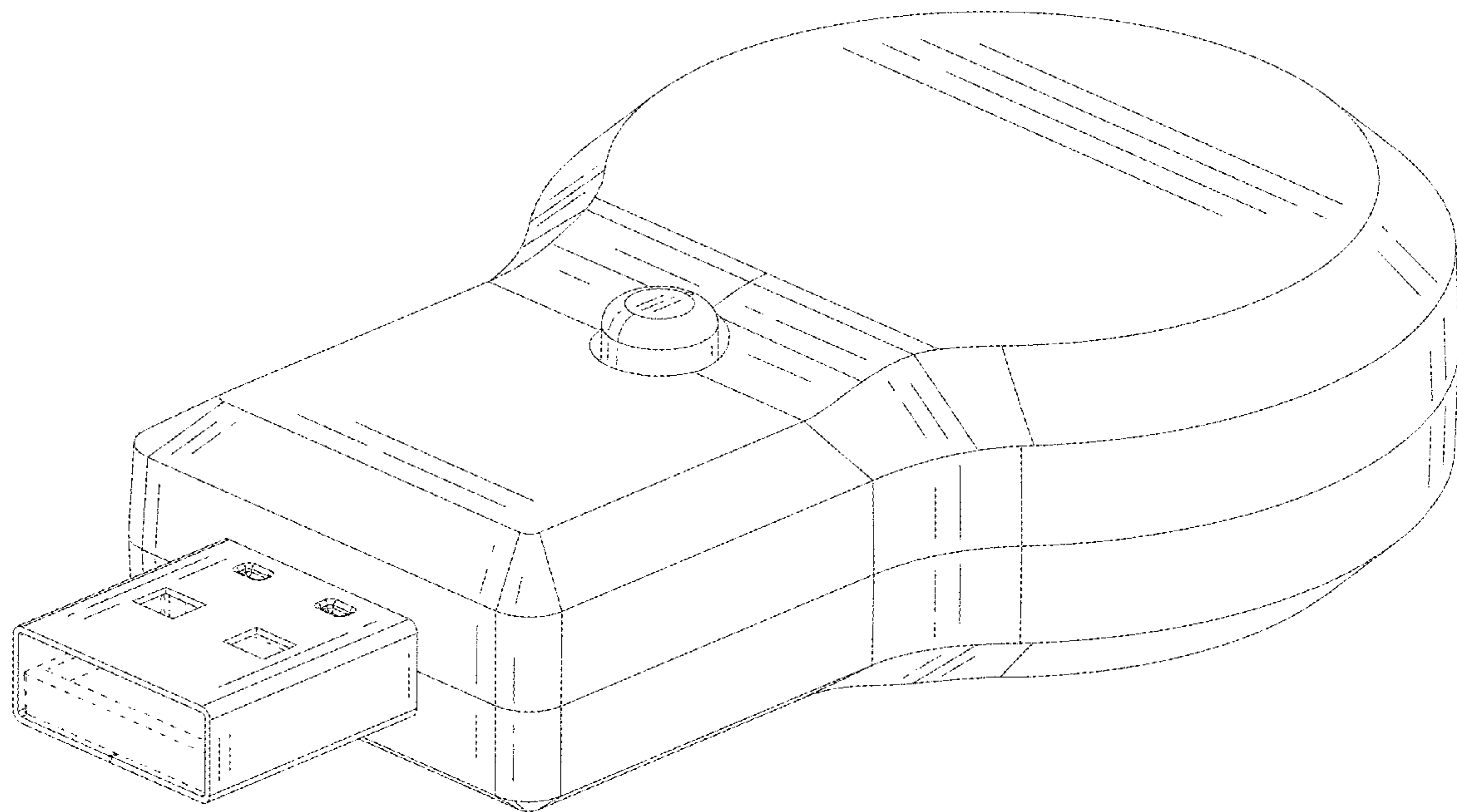


FIG. 1

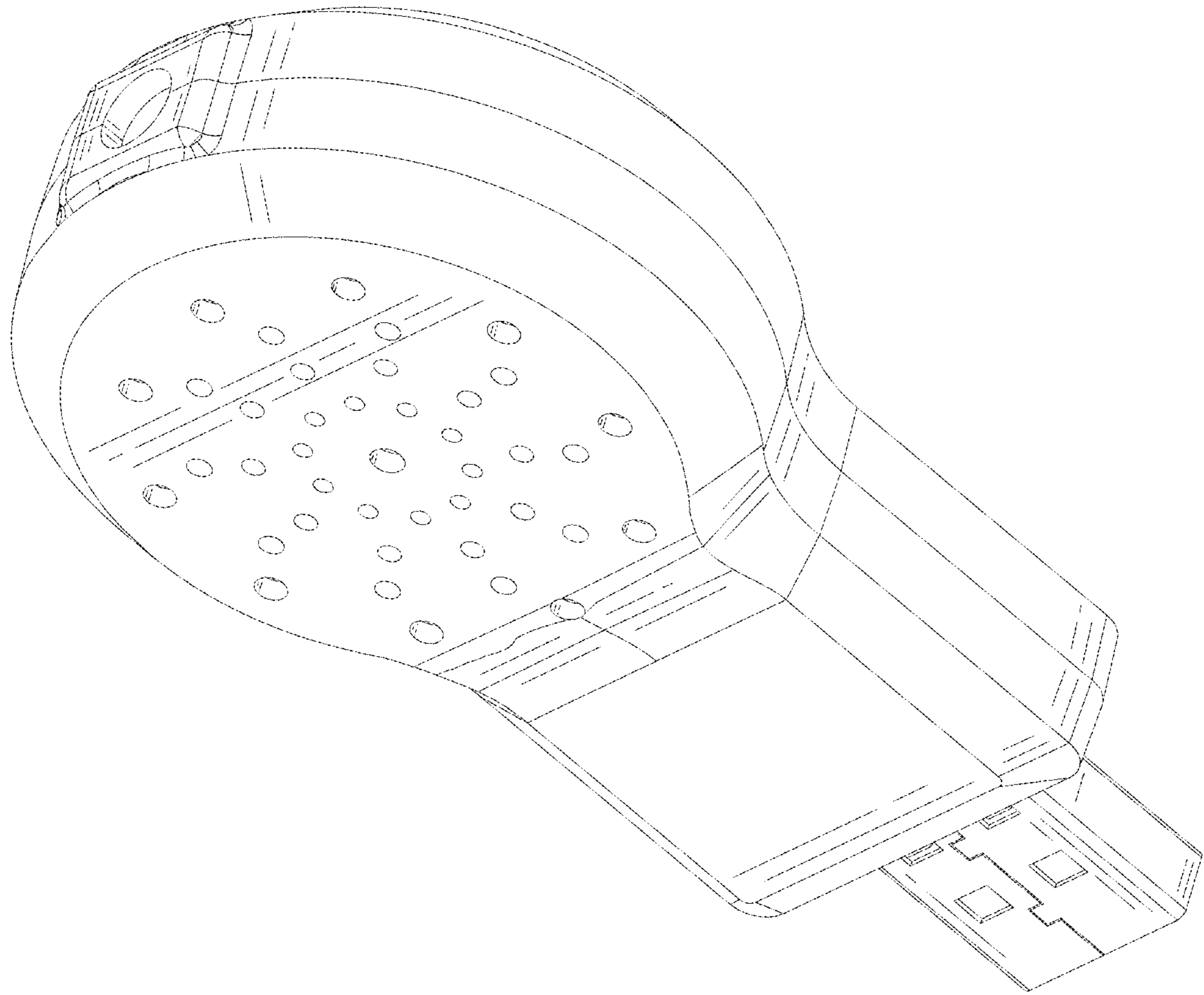


FIG. 2

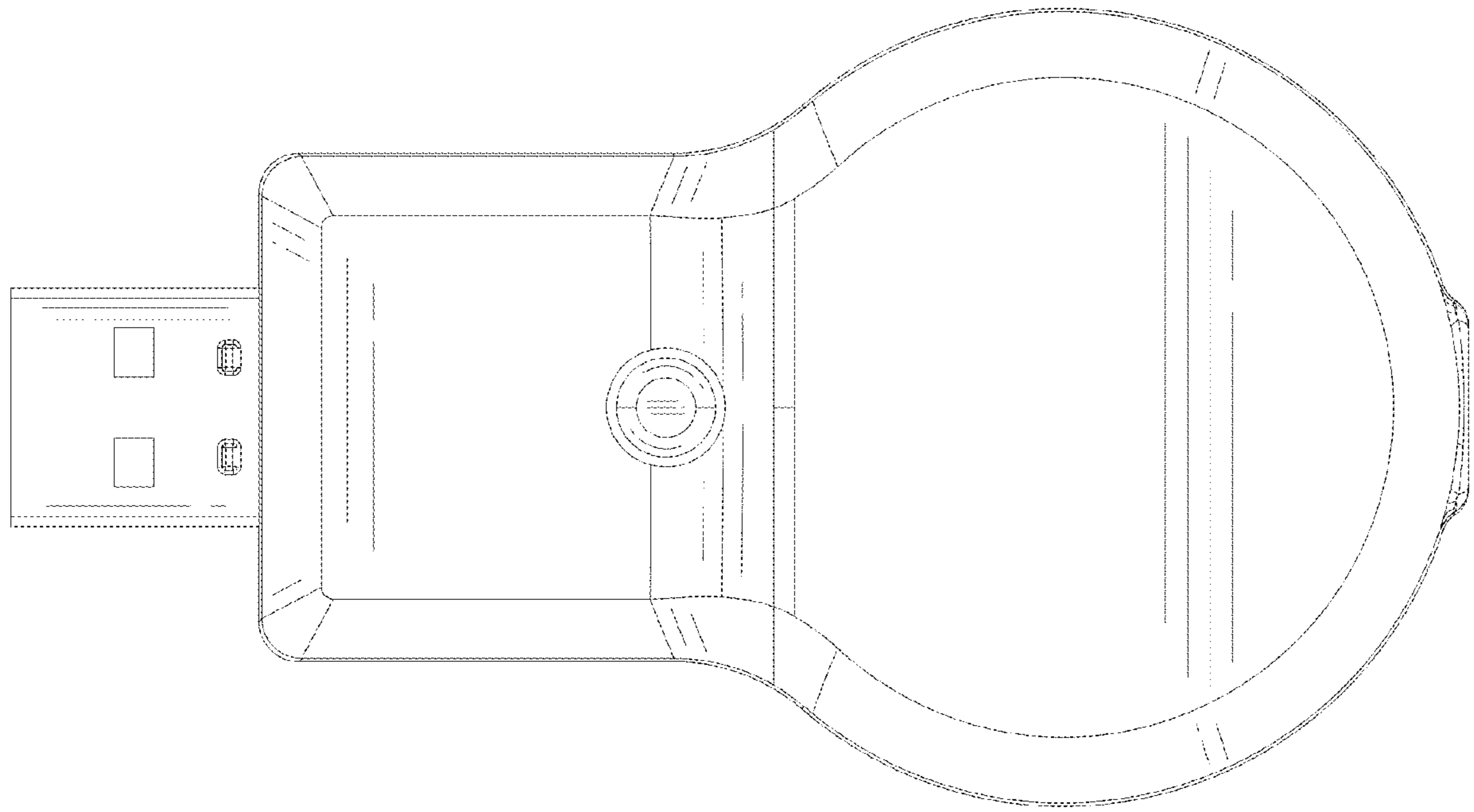


FIG. 3

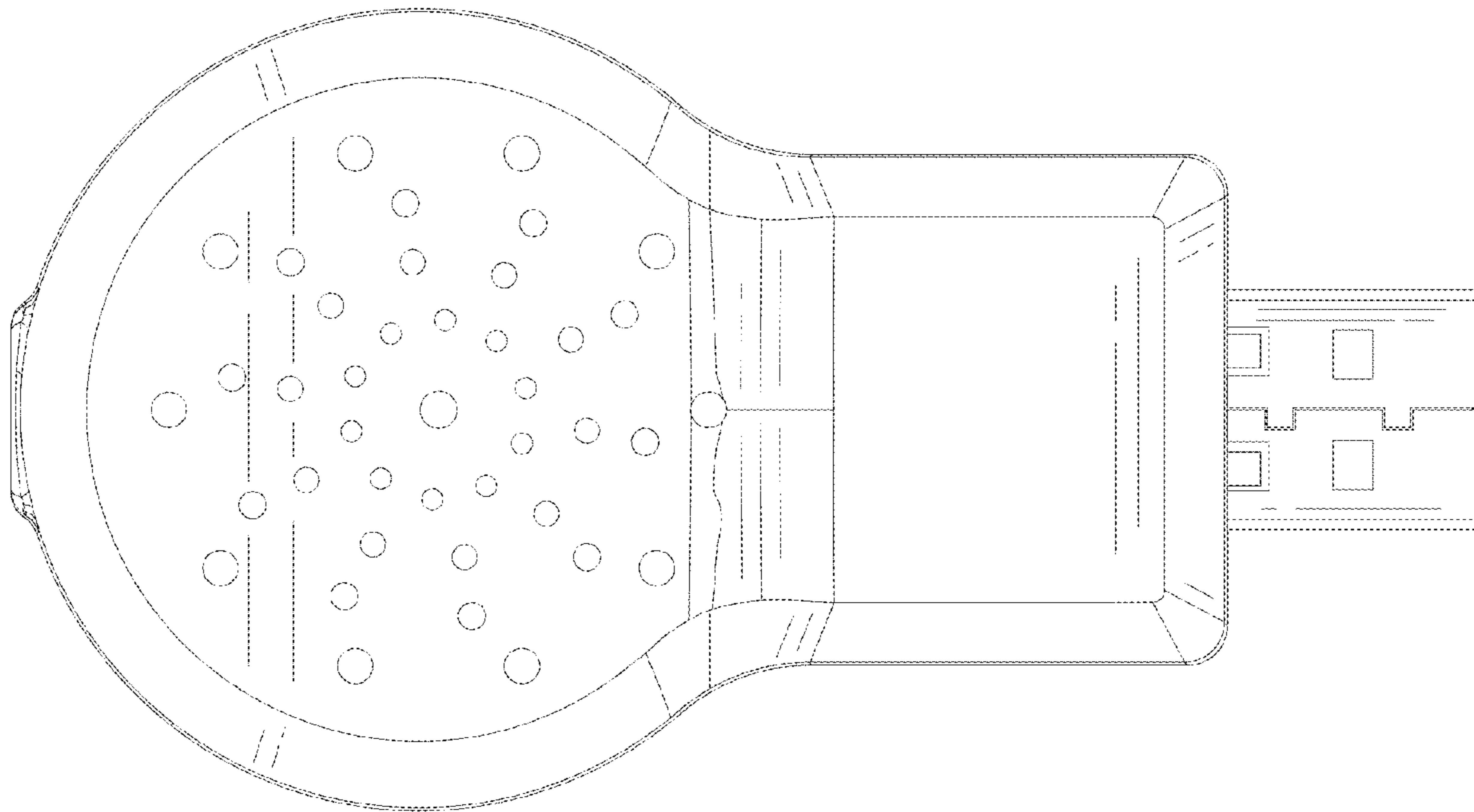


FIG. 4

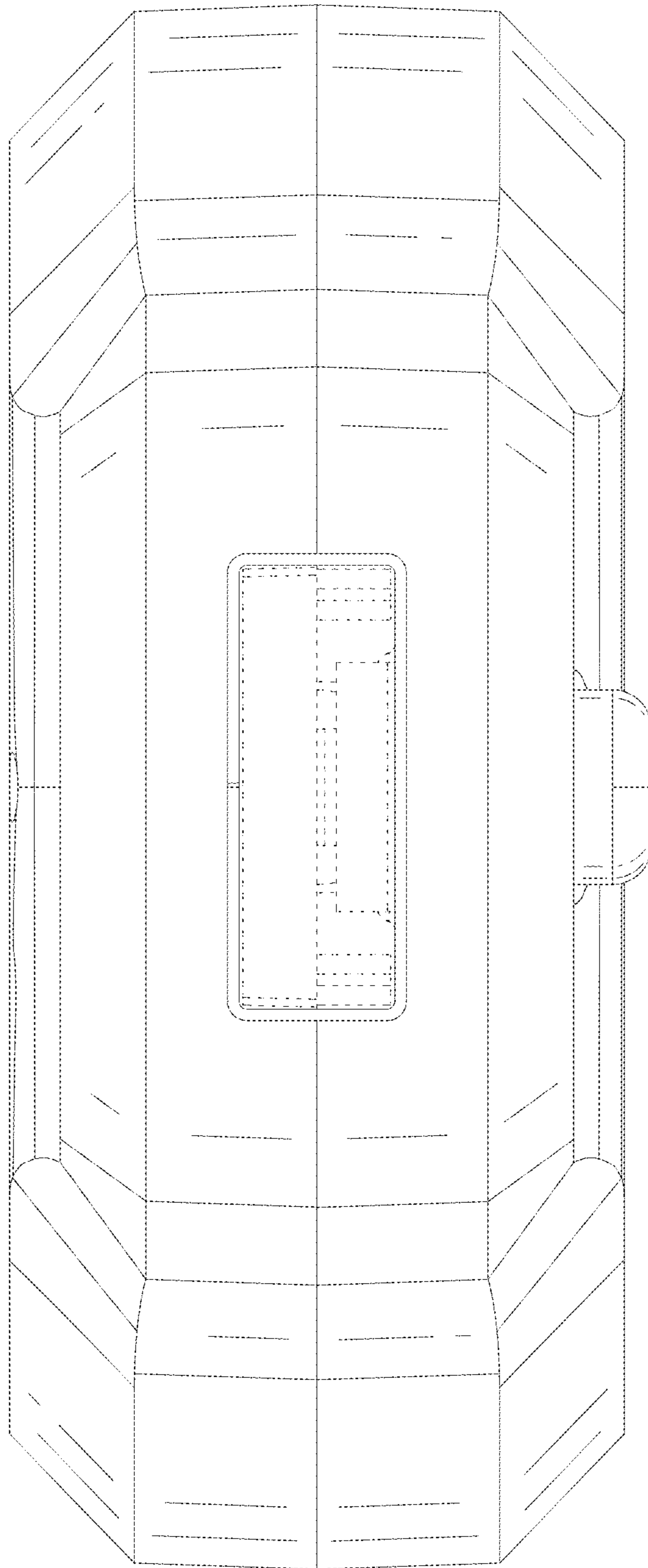


FIG. 5

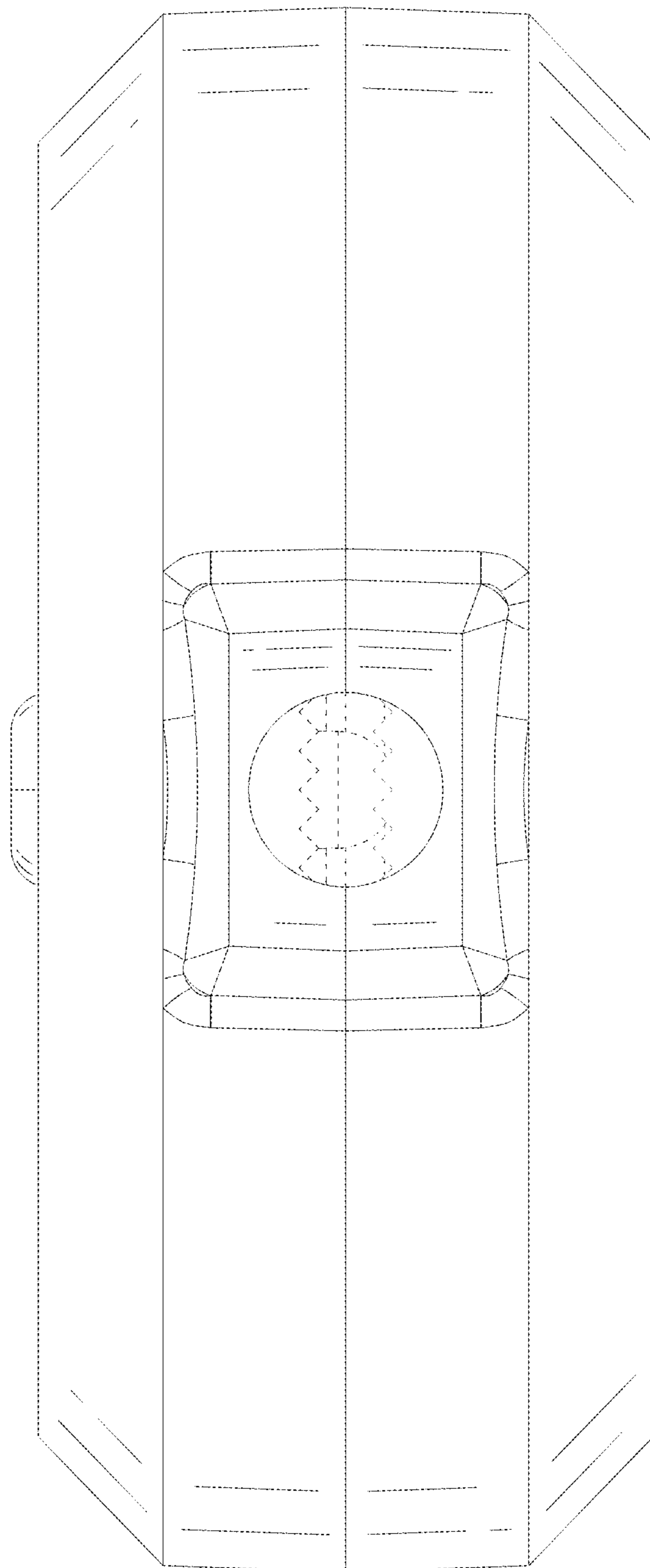


FIG. 6



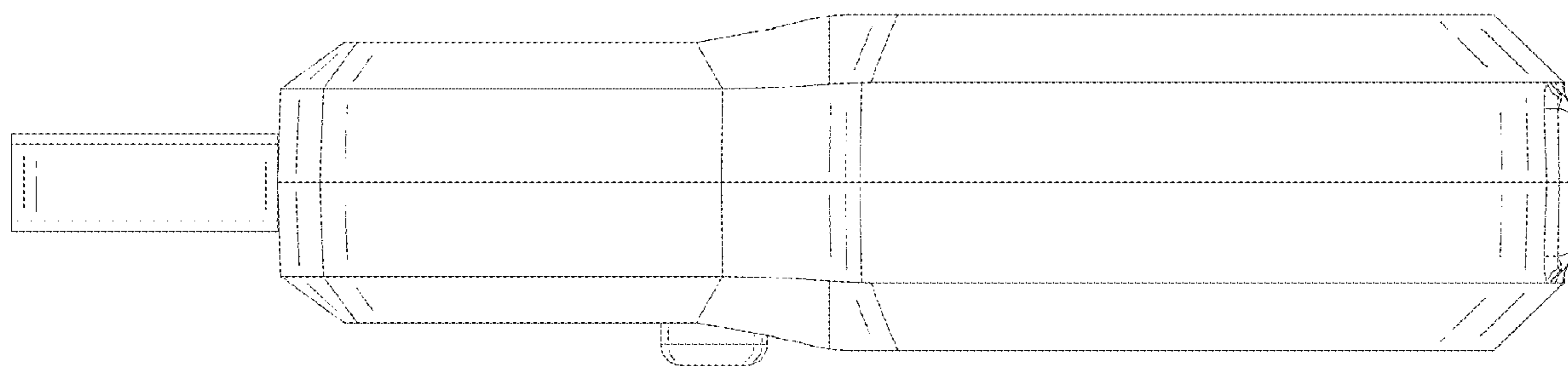


FIG. 7

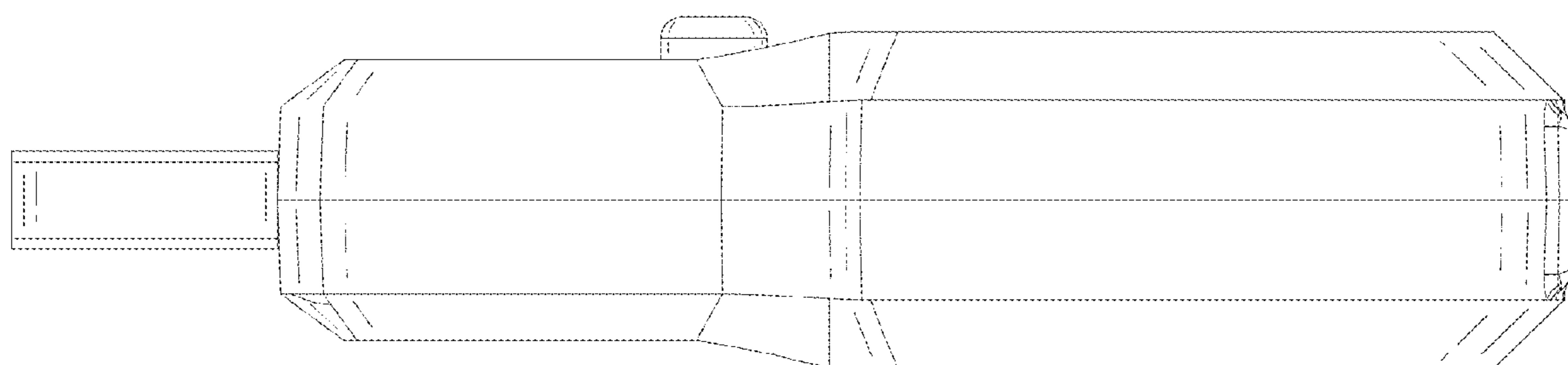


FIG. 8