



US00D970505S

(12) **United States Design Patent**
Cai

(10) **Patent No.:** **US D970,505 S**

(45) **Date of Patent:** **** Nov. 22, 2022**

(54) **STYLUS**

(71) Applicant: **Shiru Cai**, Shenzhen (CN)

(72) Inventor: **Shiru Cai**, Shenzhen (CN)

(**) Term: **15 Years**

(21) Appl. No.: **29/845,026**

(22) Filed: **Jul. 4, 2022**

(51) **LOC (13) Cl.** **14-02**

(52) **U.S. Cl.**
USPC **D14/411**

(58) **Field of Classification Search**
USPC D14/372, 496, 432, 371, 125, 126, 129,
D14/299, 411; D16/300-342; 351/158,
351/153, 144; 345/7-9, 905; 455/344;
348/115, 53, 121, 739
CPC G02B 27/017; G06F 3/016; G06F 3/033;
G06F 3/0317; G06F 3/03545; G06F
3/041; G06K 9/222

See application file for complete search history.

(56) **References Cited**

U.S. PATENT DOCUMENTS

D921,630 S	6/2021	Liu	
D921,631 S *	6/2021	Huang	D14/411
D936,652 S *	11/2021	Cen	D14/411
D937,265 S *	11/2021	Huang	D14/411
D939,503 S *	12/2021	Yum	D14/411
D943,582 S *	2/2022	Mo	D14/411
D943,583 S *	2/2022	Mo	D14/411
D944,254 S *	2/2022	Huang	D14/411
D944,799 S *	3/2022	Huang	D14/411

D944,800 S *	3/2022	Huang	D14/411
D948,511 S *	4/2022	Hu	D14/411
D951,947 S *	5/2022	Jin	D14/411
D955,389 S *	6/2022	Cai	D14/411
D956,050 S *	6/2022	Liu	D14/411

* cited by examiner

Primary Examiner — Austin Murphy

(57) **CLAIM**

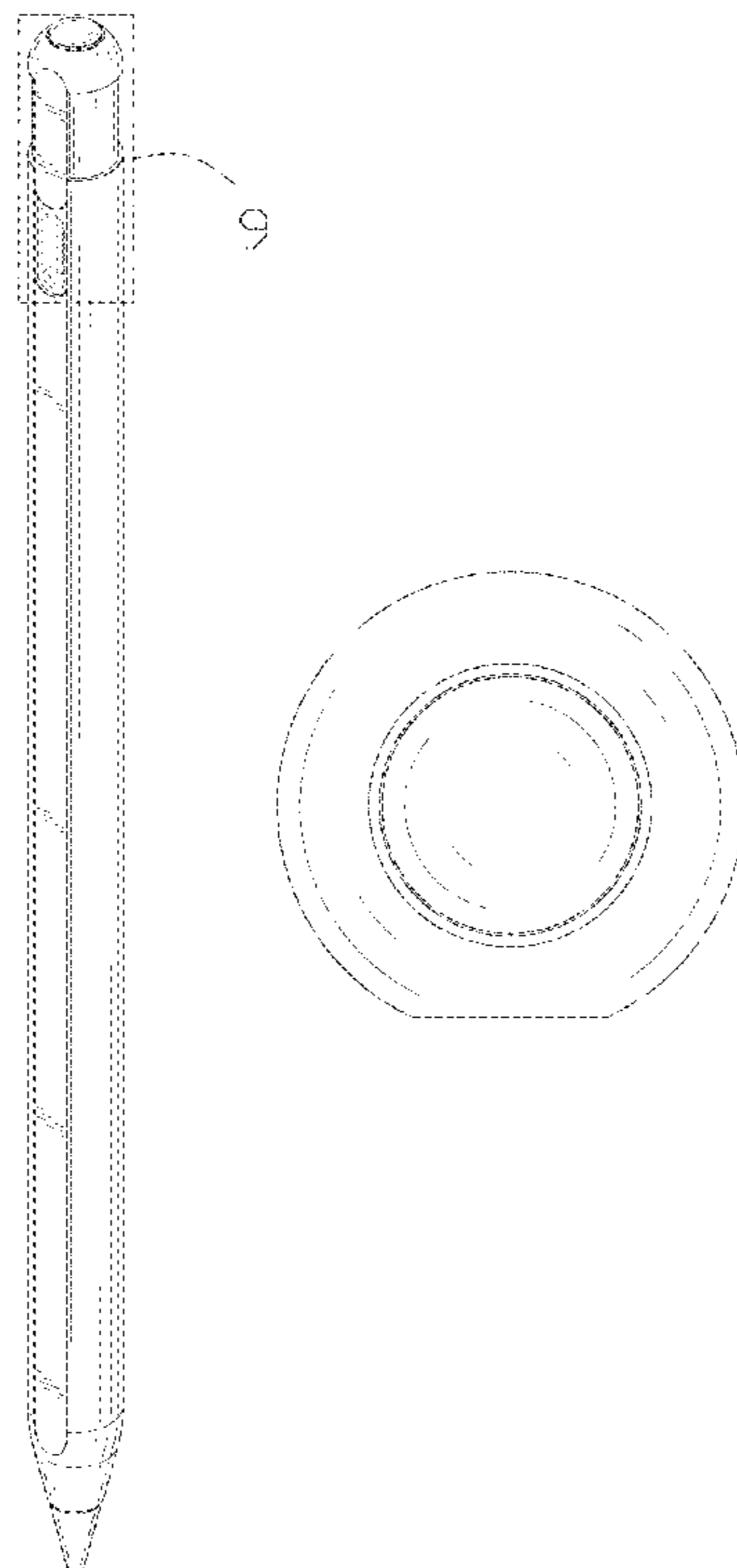
The ornamental design for a stylus, as shown and described.

DESCRIPTION

FIG. 1 is a front and top perspective view of a stylus, showing my new design;
 FIG. 2 is a rear and bottom perspective view thereof;
 FIG. 3 is a front elevation view thereof;
 FIG. 4 is a rear elevation view thereof;
 FIG. 5 is a left side elevation view thereof;
 FIG. 6 is a right side elevation view thereof;
 FIG. 7 is an enlarged top plan view thereof;
 FIG. 8 is an enlarged bottom plan view thereof;
 FIG. 9 is an enlarged view of a portion indicated with numeric 9 in FIG. 1; and,
 FIG. 10 is another perspective view thereof, shown in an alternative position.

The dashed lines in the figures illustrate portions of the stylus that form no part of the claimed design. The dash dot dash lines in FIGS. 1 and 9 are for the purpose of depicting the boundary lines of the enlarged view and form no part of the claimed design.

1 Claim, 10 Drawing Sheets



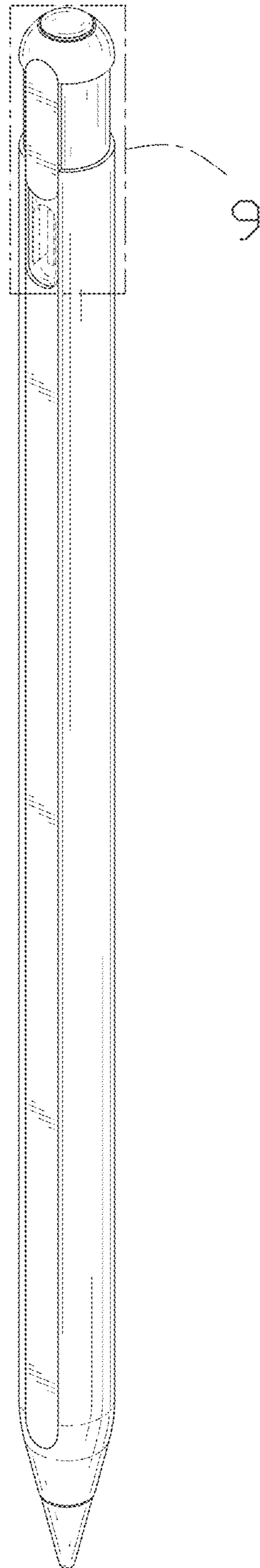


FIG. 1

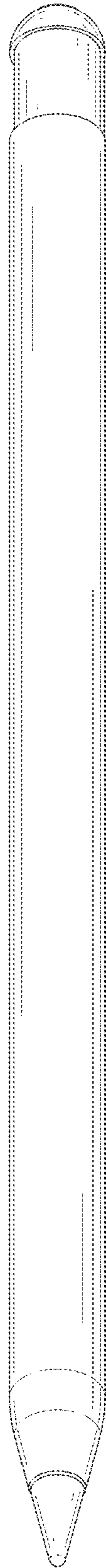


FIG. 2

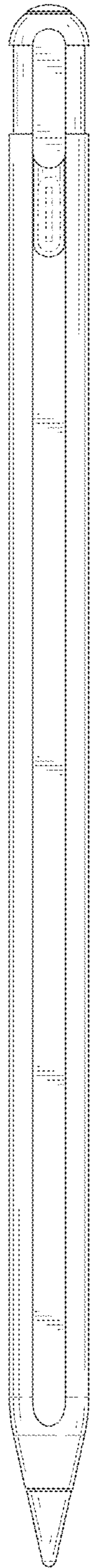


FIG. 3



FIG. 4

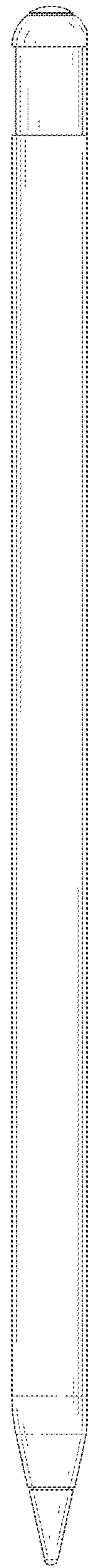


FIG. 5

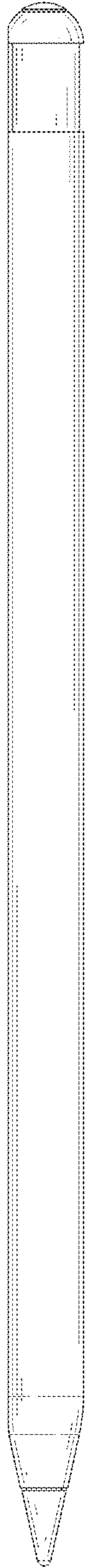


FIG. 6

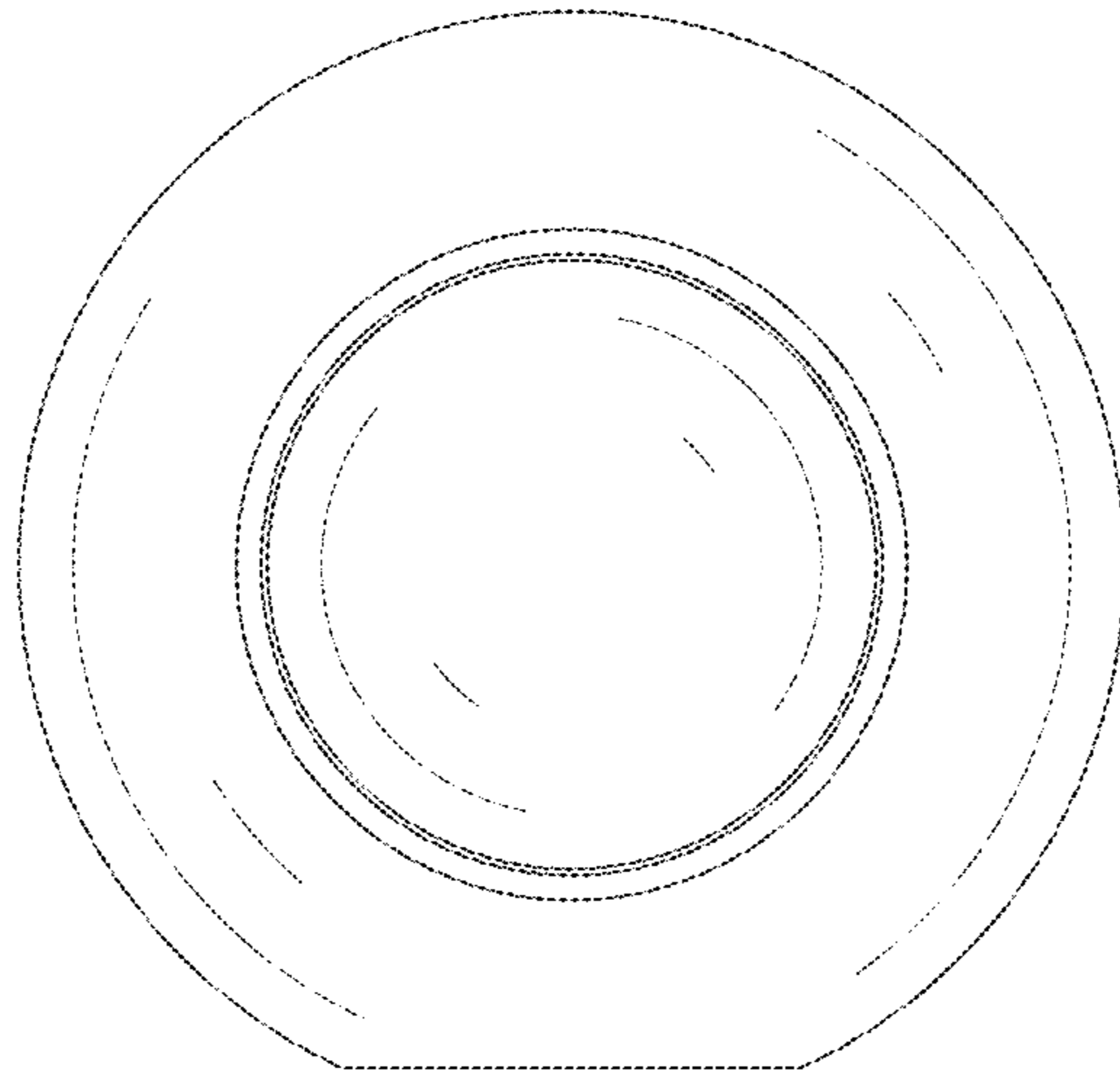


FIG. 7

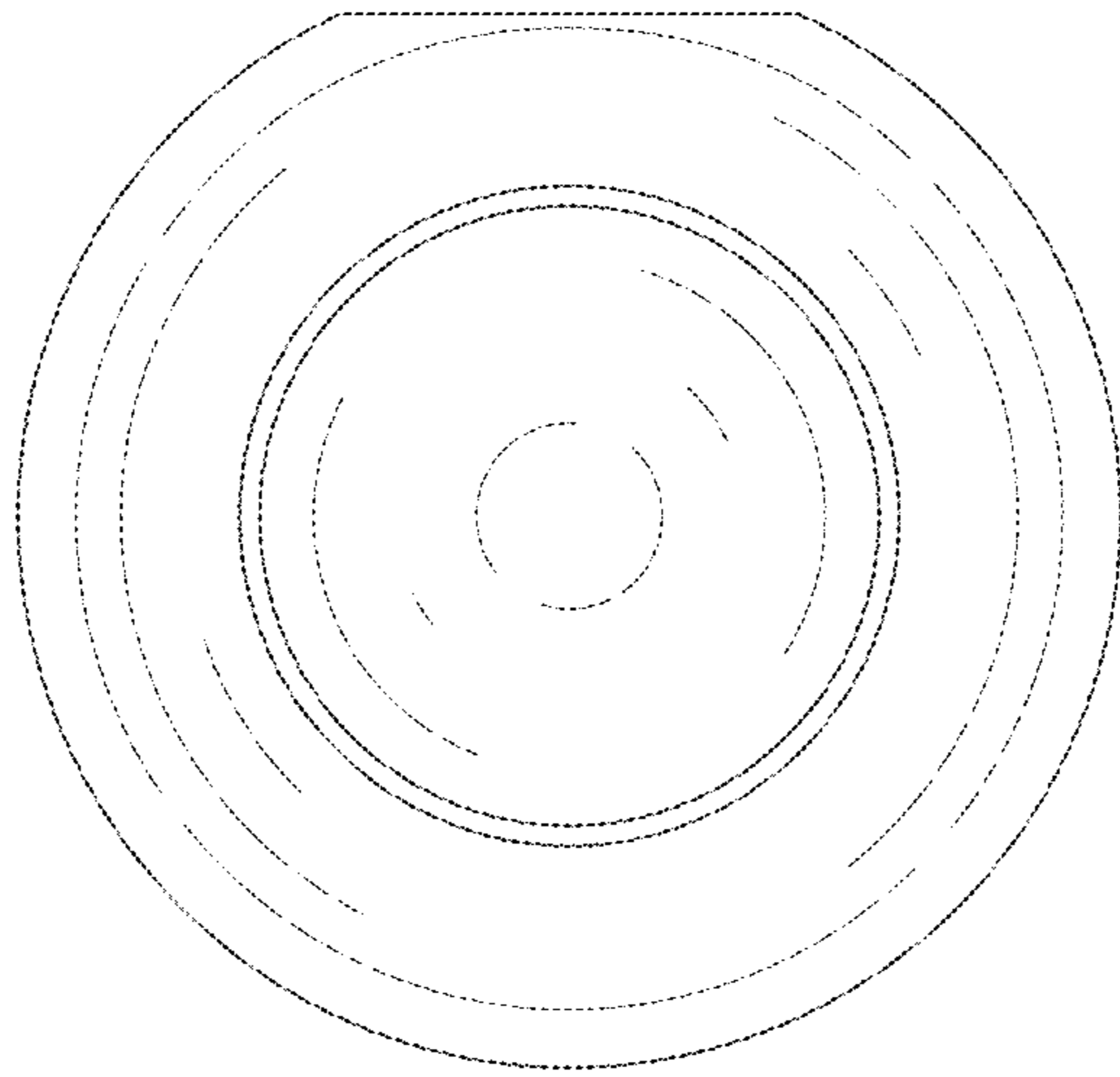


FIG. 8

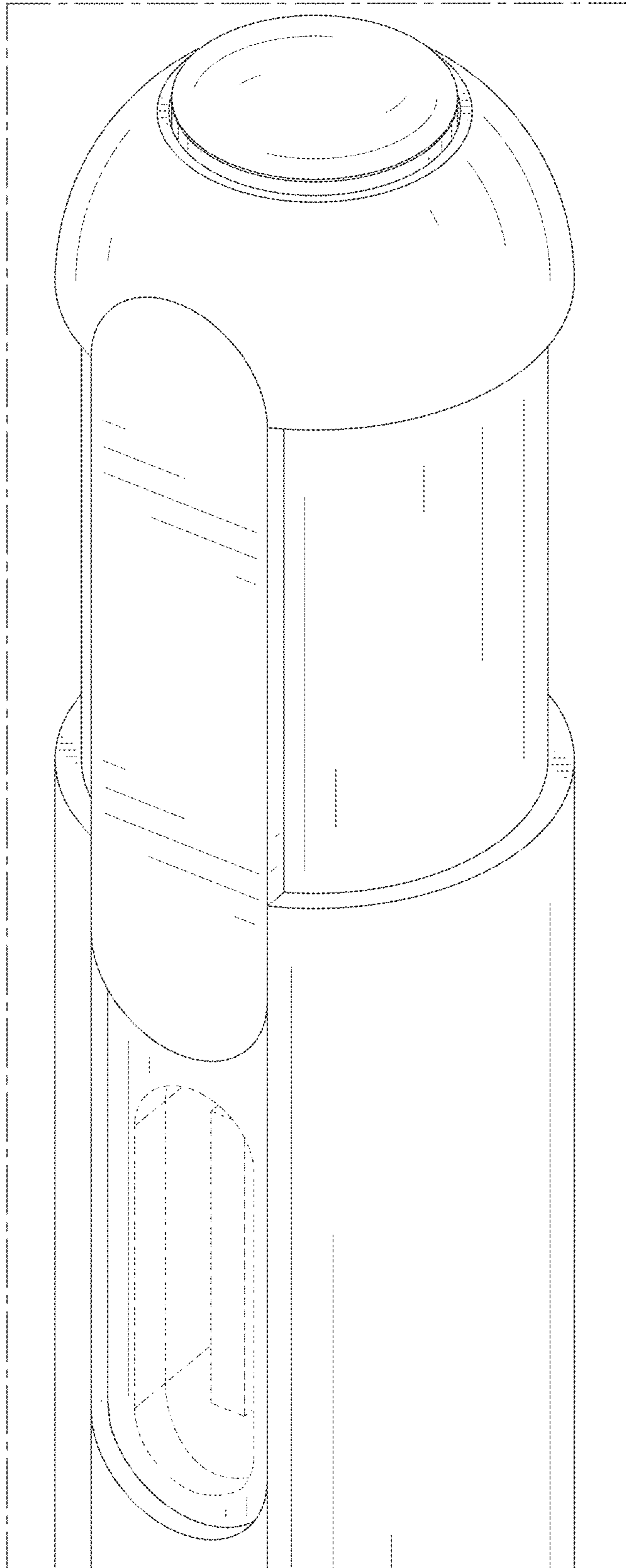


FIG. 9

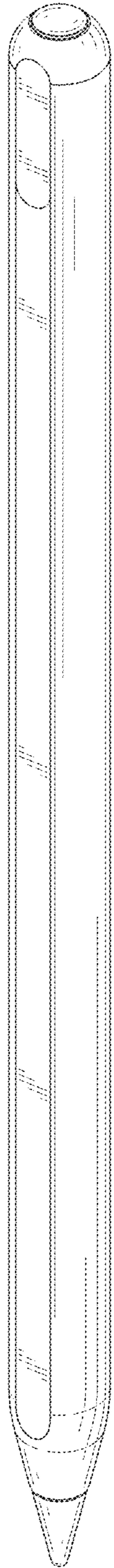


FIG. 10