

US00D970503S

(12) **United States Design Patent**  
**Chong**

(10) **Patent No.:** **US D970,503 S**

(45) **Date of Patent:** **\*\* Nov. 22, 2022**

(54) **MOUSE**

(71) Applicant: **Razer (Asia-Pacific) Pte. Ltd.,**  
Singapore (SG)

(72) Inventor: **Boon Sim Chong,** Singapore (SG)

(73) Assignee: **Razer (Asia-Pacific) Pte. Ltd.,**  
Singapore (SG)

(\*\*) Term: **15 Years**

(21) Appl. No.: **29/768,829**

(22) Filed: **Feb. 1, 2021**

(51) **LOC (13) Cl.** ..... **14-03**

(52) **U.S. Cl.**  
USPC ..... **D14/402**

(58) **Field of Classification Search**  
USPC ..... D14/402-410, 155, 156, 218, 225;  
D16/208; D26/38; 455/351, 350;  
D10/104.1, 106, 65  
CPC ..... G06F 3/03543; G06F 2203/0333; G06F  
3/039; G06F 3/038; G06F 2203/0384  
See application file for complete search history.

(56) **References Cited**

**U.S. PATENT DOCUMENTS**

D640,257 S *	6/2011	Lee	.....	D14/410
D680,113 S *	4/2013	Li	.....	D14/409
D711,380 S *	8/2014	Urban	.....	D14/410
D813,869 S *	3/2018	Hu	.....	D14/402
D827,647 S *	9/2018	Chong	.....	D14/402
D830,361 S *	10/2018	Jin	.....	D14/402
D844,000 S *	3/2019	Lee	.....	D14/410
D845,300 S *	4/2019	Chong	.....	D14/410
D845,948 S *	4/2019	Jin	.....	D14/410
D903,679 S *	12/2020	Xu	.....	D14/410
D904,409 S *	12/2020	Xu	.....	D14/410
D908,698 S *	1/2021	Chong	.....	D14/402
D920,977 S *	6/2021	Chong	.....	D14/409

D926,761 S *	8/2021	Xu	.....	D14/402
D926,762 S *	8/2021	Chong	.....	D14/409
D928,786 S *	8/2021	Chong	.....	D14/409

(Continued)

*Primary Examiner* — Austin Murphy

(74) *Attorney, Agent, or Firm* — Polsinelli PC

(57) **CLAIM**

I claim the ornamental design for a mouse, as shown and described.

**DESCRIPTION**

FIG. 1 is a perspective view of a mouse of our new design. FIG. 2 is a front view of the mouse shown in FIG. 1. FIG. 3 is a rear view of the mouse shown in FIG. 1. FIG. 4 is a right side view of the mouse shown in FIG. 1. FIG. 5 is a left side view of the mouse shown in FIG. 1. FIG. 6 is a top view of the mouse shown in FIG. 1; and, FIG. 7 is a bottom view of the mouse shown in FIG. 1.

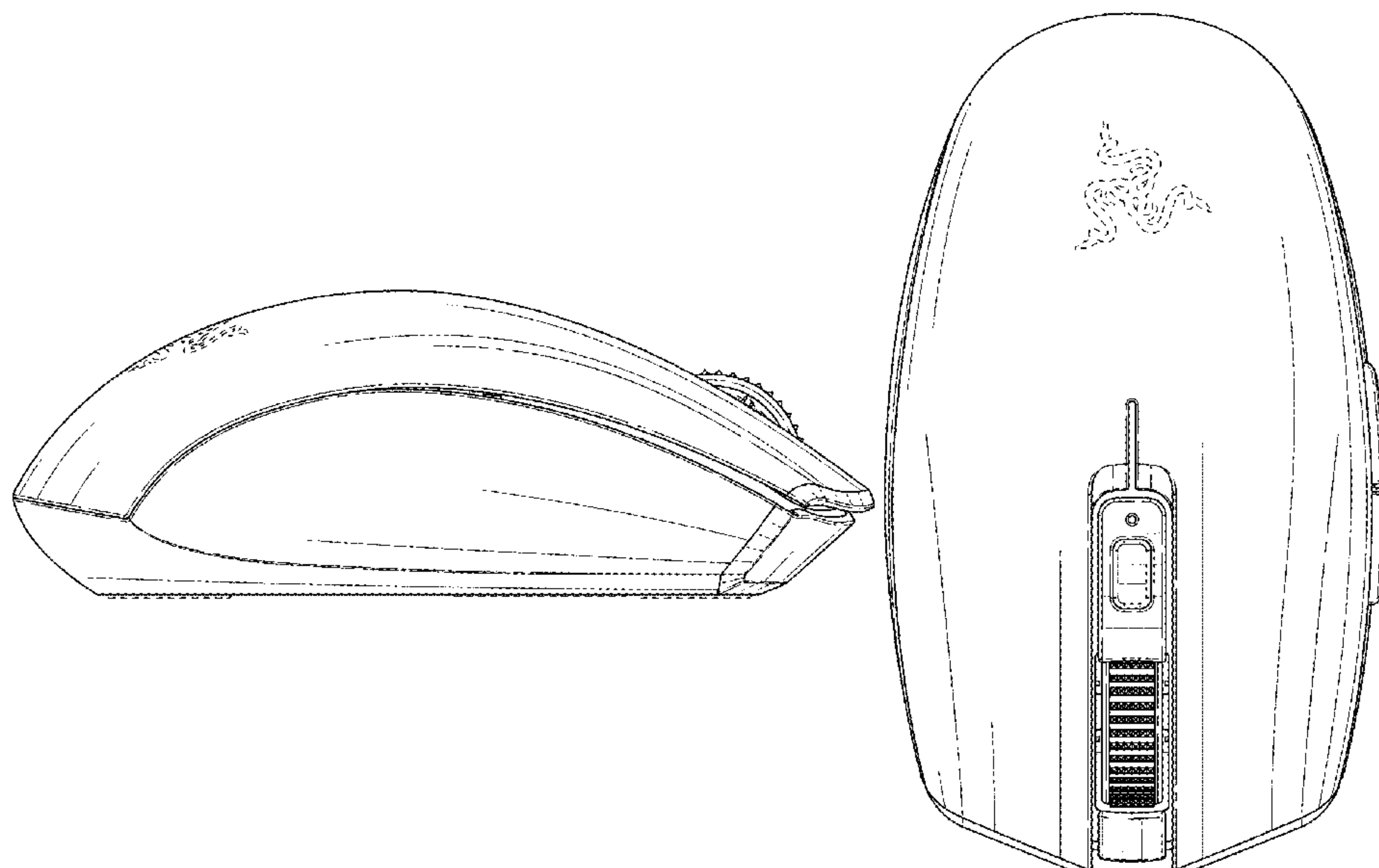
The mouse shown in FIGS. 1-7 illustrates our novel design suitable for use with a right hand. Our novel design also includes a second embodiment for use with the left hand, which is mirror symmetrical to FIGS. 1-7 and therefore not separately illustrated.

The broken lines shown in the figures represent portions of the mouse that form no part of the claimed design.

The thin solid lines shown in the figures represent contours only and do not illustrate an ornamentation of decoration on the surface of the mouse.

While the accompanying drawings include broken lines that form no part of the claimed design, the broken lines provide written description of prospective embodiments that are claimed when one or more of the broken lines are amended to solid lines. Similarly, while the solid lines in the drawings form part of the claimed design, the solid lines provide written description of prospective embodiments that are not claimed when one or more of the solid lines are amended to broken lines.

**1 Claim, 4 Drawing Sheets**



(56)

**References Cited**

U.S. PATENT DOCUMENTS

D951,946 S \* 5/2022 Chong ..... D14/409  
D952,634 S \* 5/2022 Chong ..... D14/409

\* cited by examiner

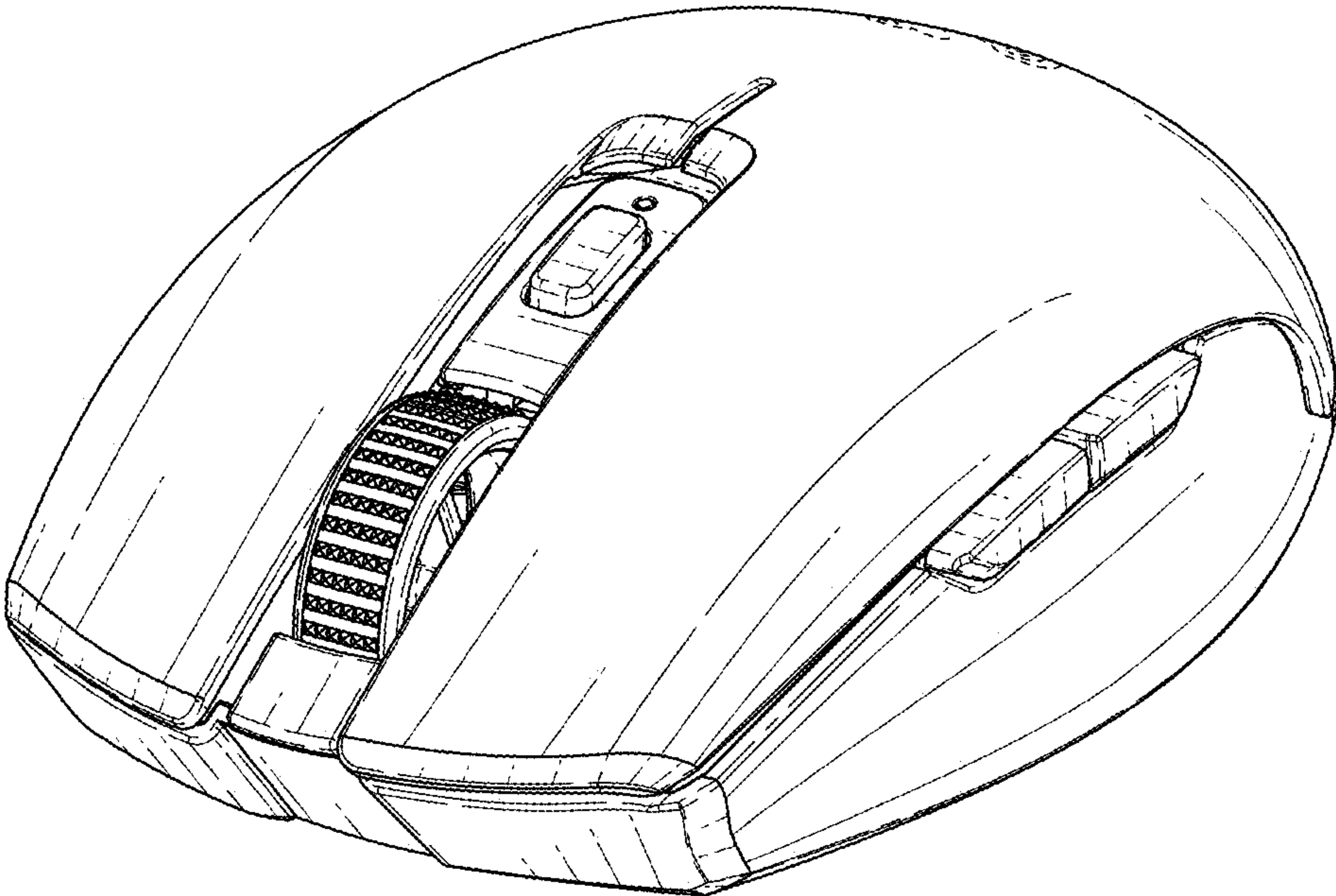


FIG. 1

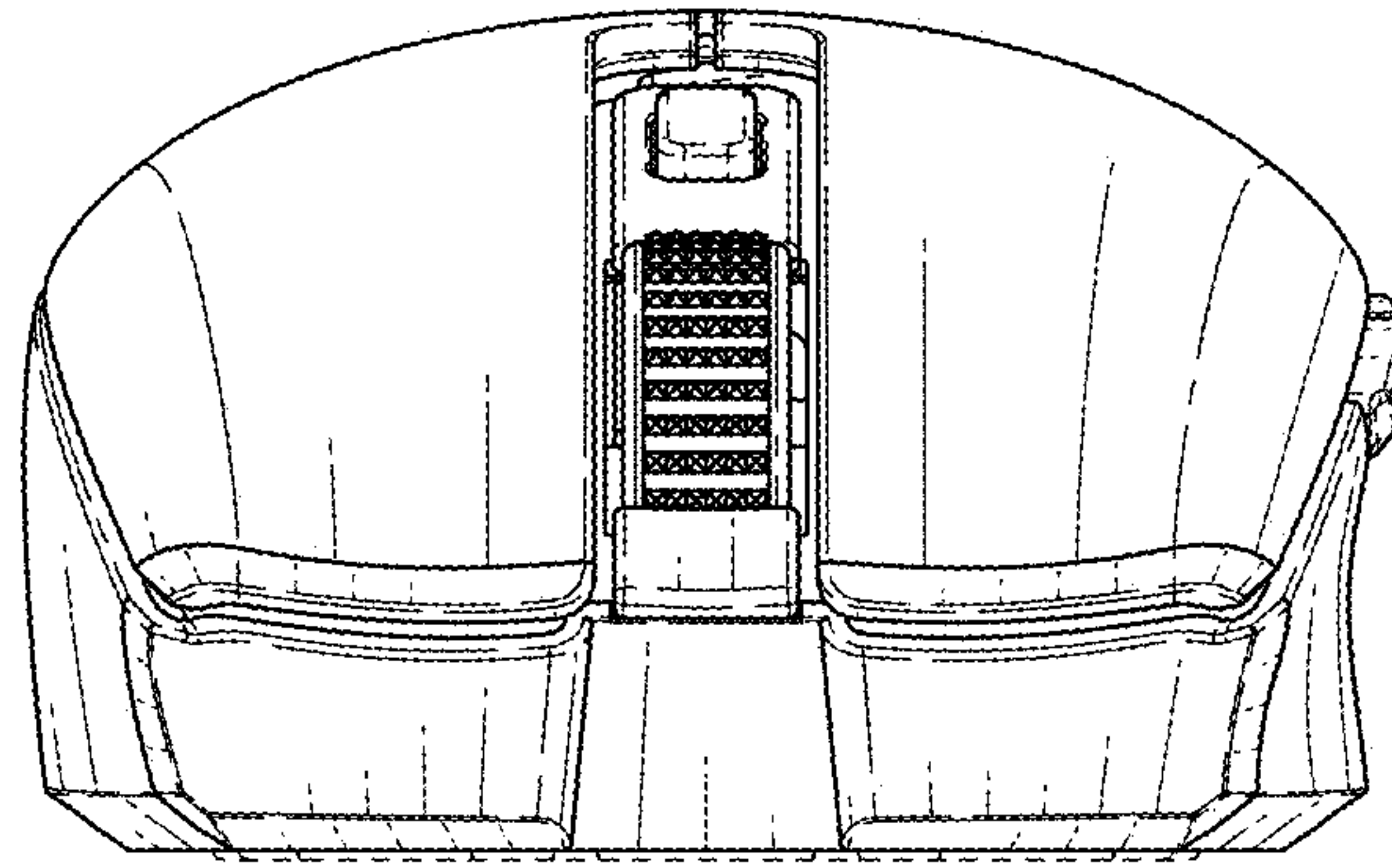


FIG. 2

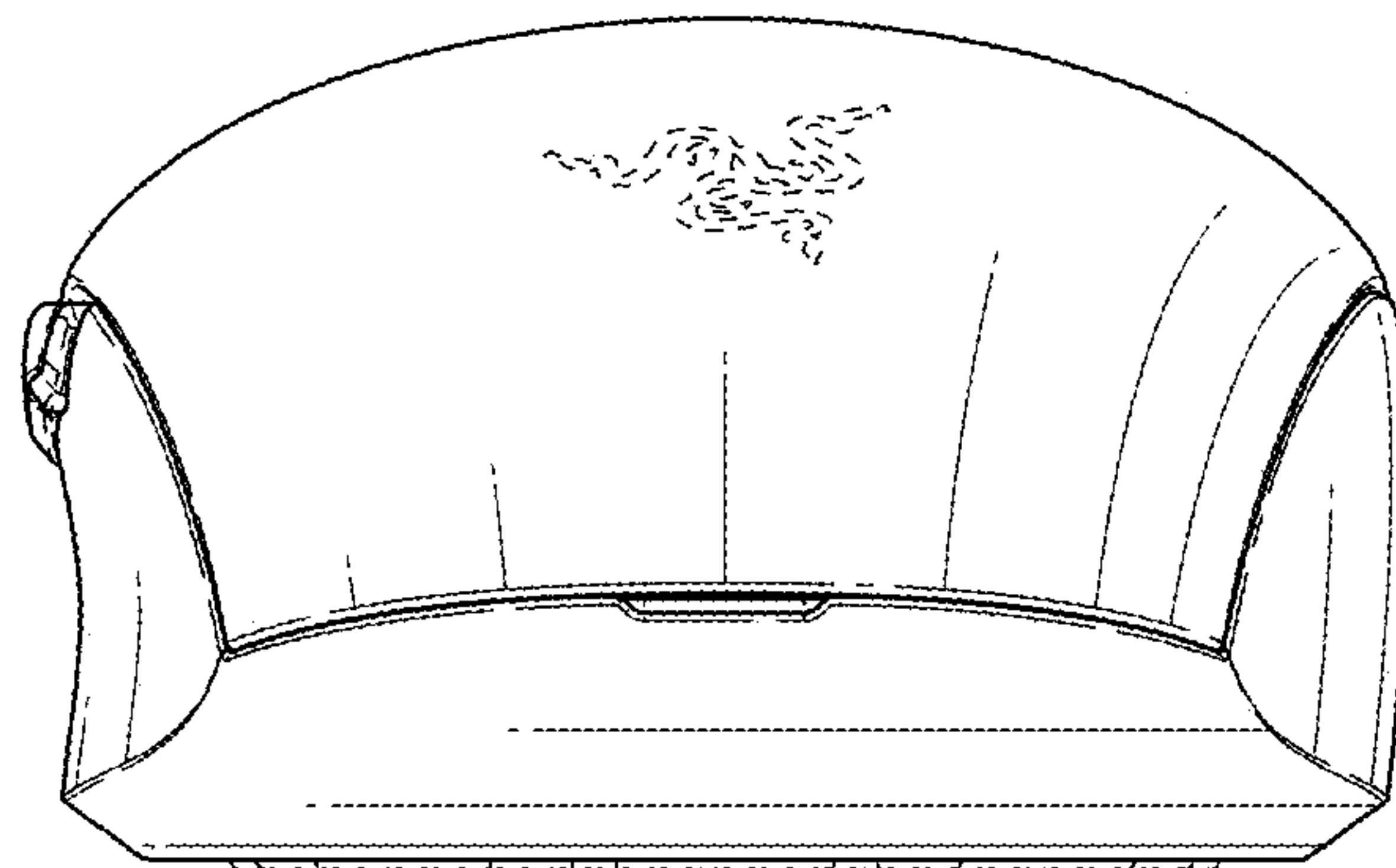


FIG. 3

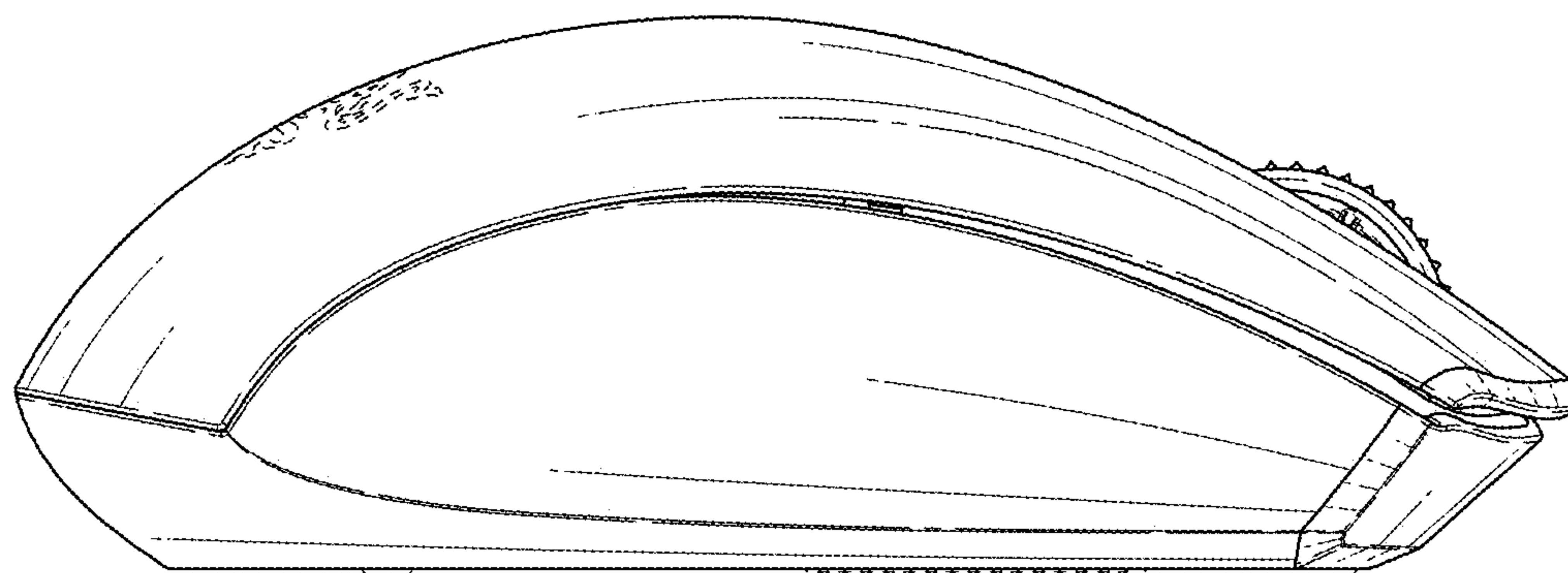


FIG. 4

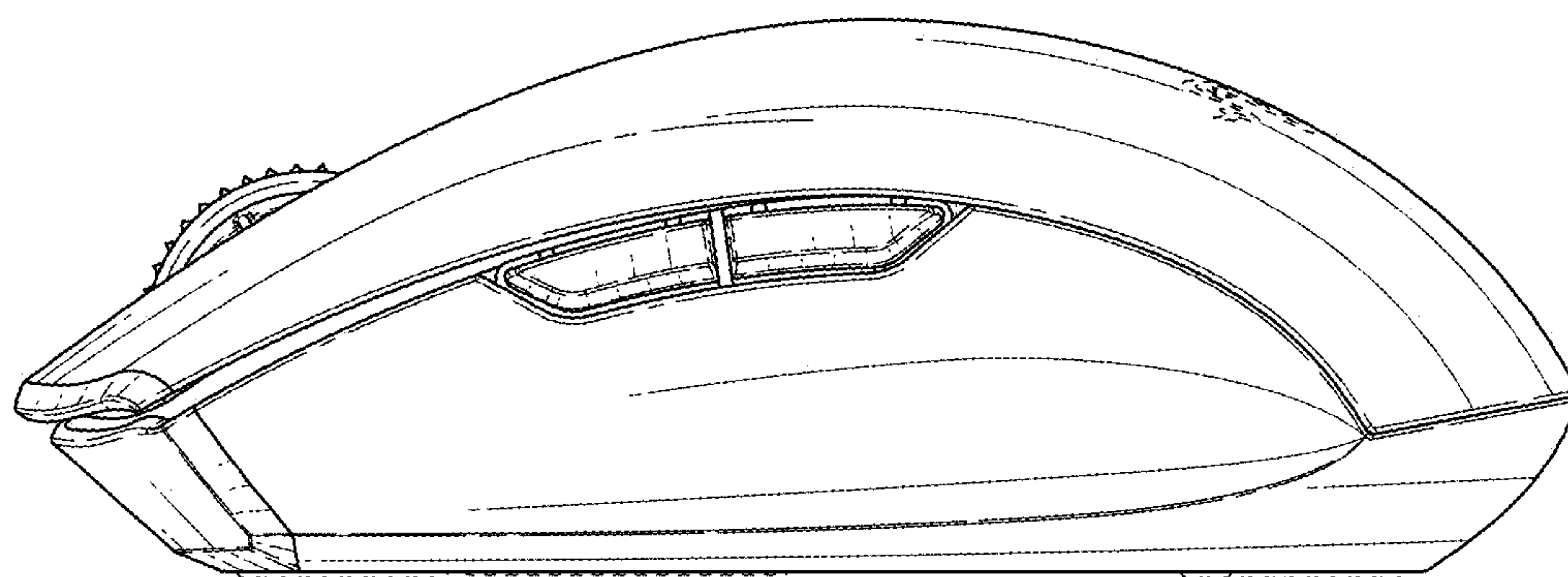


FIG. 5



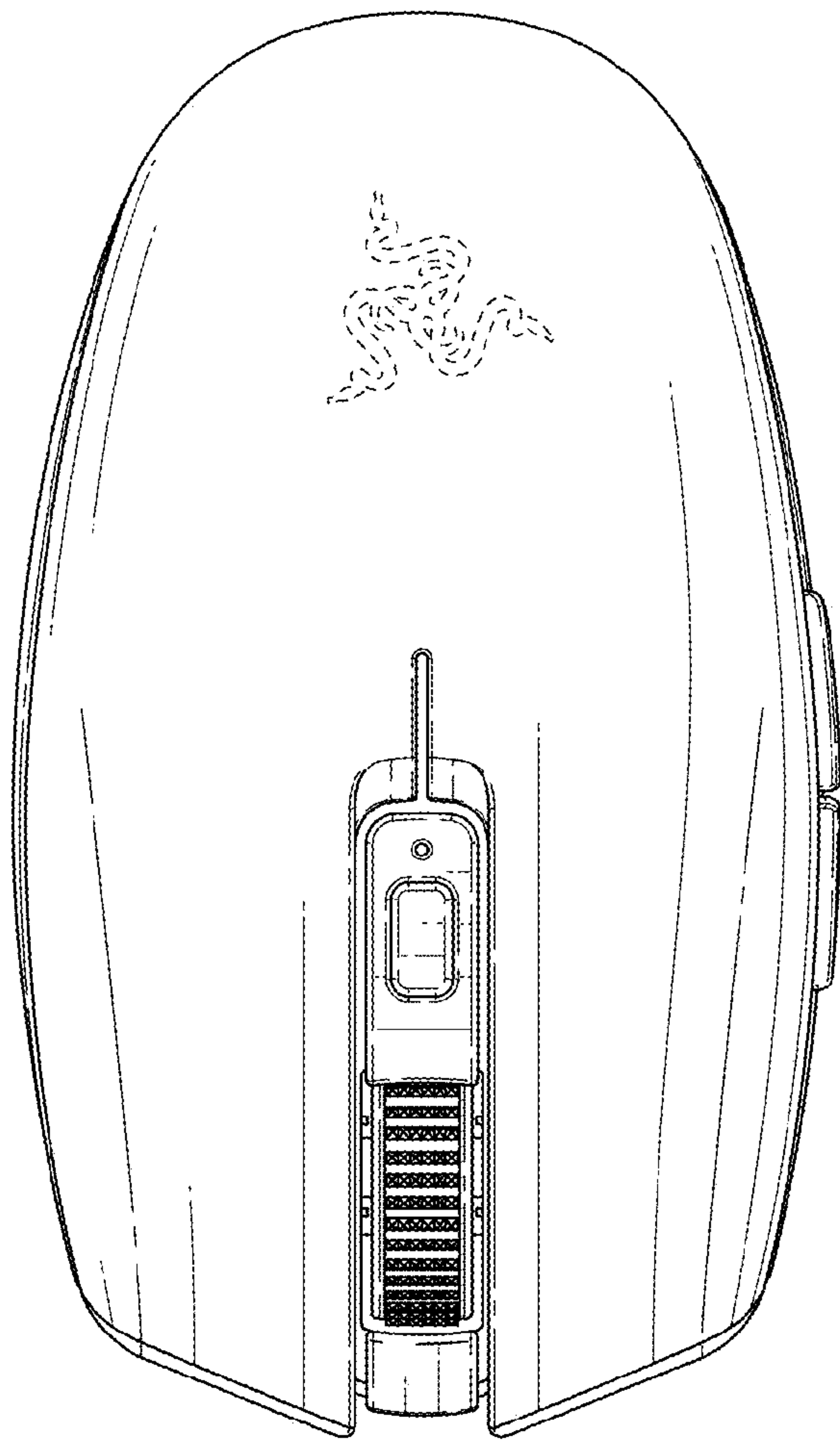


FIG. 6

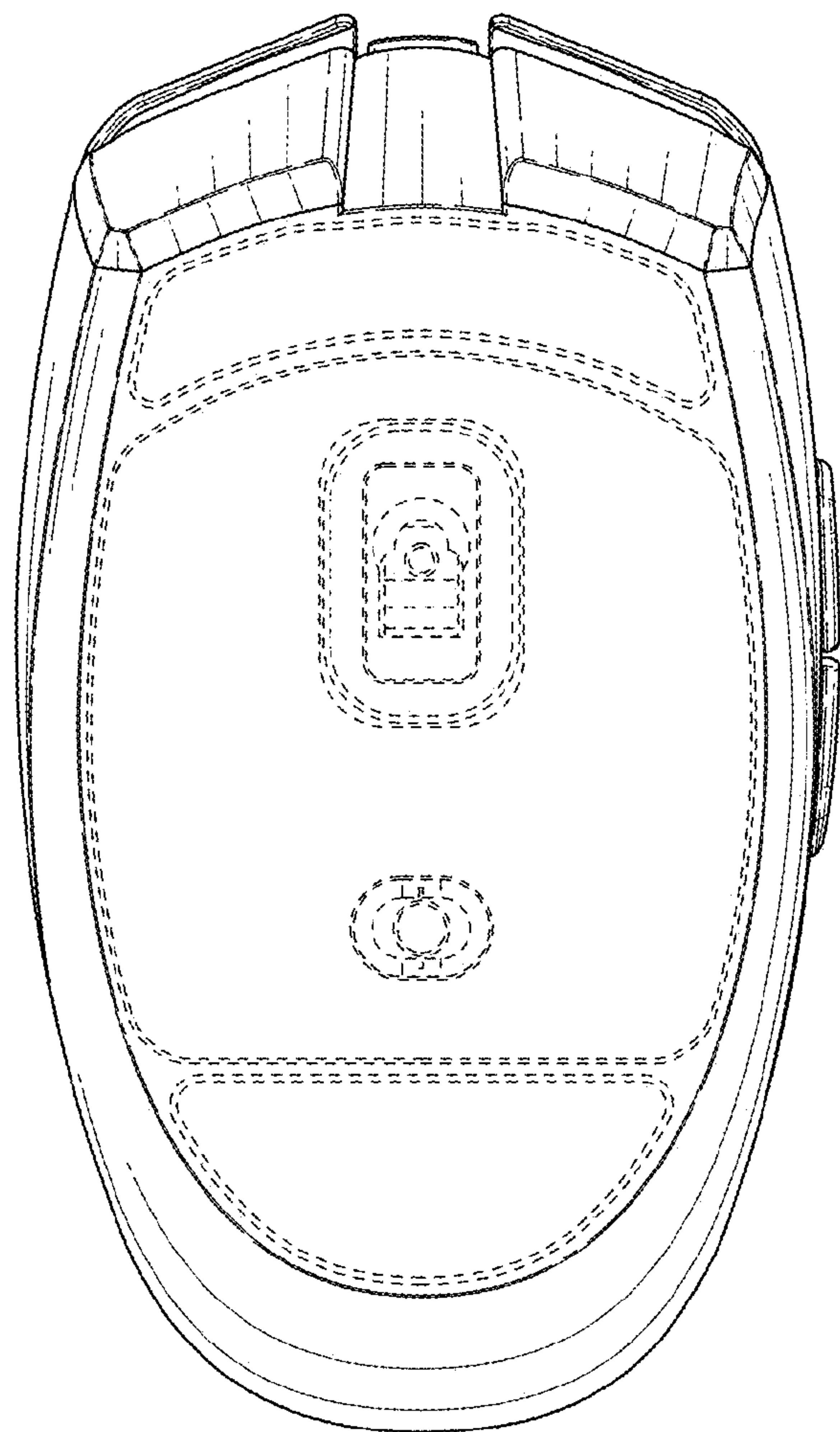


FIG. 7