



US00D970500S

(12) **United States Design Patent**
Tang et al.

(10) **Patent No.:** **US D970,500 S**

(45) **Date of Patent:** **** Nov. 22, 2022**

(54) **SMART WATCH**

(71) Applicant: **BEIJING XIAOMI MOBILE SOFTWARE CO., LTD.**, Beijing (CN)

(72) Inventors: **Jianyu Tang**, Beijing (CN); **Ningning Li**, Beijing (CN)

(73) Assignee: **BEIJING XIAOMI MOBILE SOFTWARE CO., LTD.**, Beijing (CN)

(**) Term: **15 Years**

(21) Appl. No.: **35/511,972**

(22) Filed: **Mar. 16, 2021**

(80) **Hague Agreement Data**

Int. Filing Date: **Mar. 16, 2021**

Int. Reg. No.: **DM/214384**

Int. Reg. Date: **Mar. 16, 2021**

Int. Reg. Pub. Date: **Jun. 4, 2021**

(30) **Foreign Application Priority Data**

Sep. 18, 2020 (CN) 202030558326.2

(51) **LOC (13) Cl.** **14-02**

(52) **U.S. Cl.**
USPC **D14/344**

(58) **Field of Classification Search**

USPC D10/30, 32, 38, 65, 70, 98, 132;
D14/138 R, 240, 341, 344; D24/167, 186

CPC A44C 5/0053; A44C 5/145; G06F 1/163
See application file for complete search history.

(56) **References Cited**

U.S. PATENT DOCUMENTS

D596,510 S * 7/2009 Register D10/38
D747,979 S 1/2016 Babcock et al.
D751,068 S * 3/2016 Erbeus D14/344
D759,011 S * 6/2016 Akana D14/344
D760,717 S 7/2016 Solomon et al.

D772,730 S * 11/2016 Lai D10/38
D802,587 S 11/2017 Lee et al.
D805,929 S * 12/2017 Akana D10/70
D832,252 S * 10/2018 Akana D14/344
D837,206 S * 1/2019 Guan D14/344
D838,716 S * 1/2019 Teng D14/344
D855,813 S * 8/2019 Hu D10/70
D889,459 S * 7/2020 Zhang D14/344
D903,664 S * 12/2020 Riot D14/344

(Continued)

FOREIGN PATENT DOCUMENTS

CN 303069517 S 1/2015
CN 304111307 S 4/2017

(Continued)

OTHER PUBLICATIONS

Fitbit launches fitness-focused Blaze smartwatch at CES 2016, publication date Jan. 6, 2016, [online] URL: <https://www.dezeen.com/2016/01/06/fitbit-blaze-fitness-smartwatch-ces-2016-wearable-technology/> (Year: 2016).*

(Continued)

Primary Examiner — L. A. Grabenstetter

(74) *Attorney, Agent, or Firm* — Syncoda LLC; Feng Ma

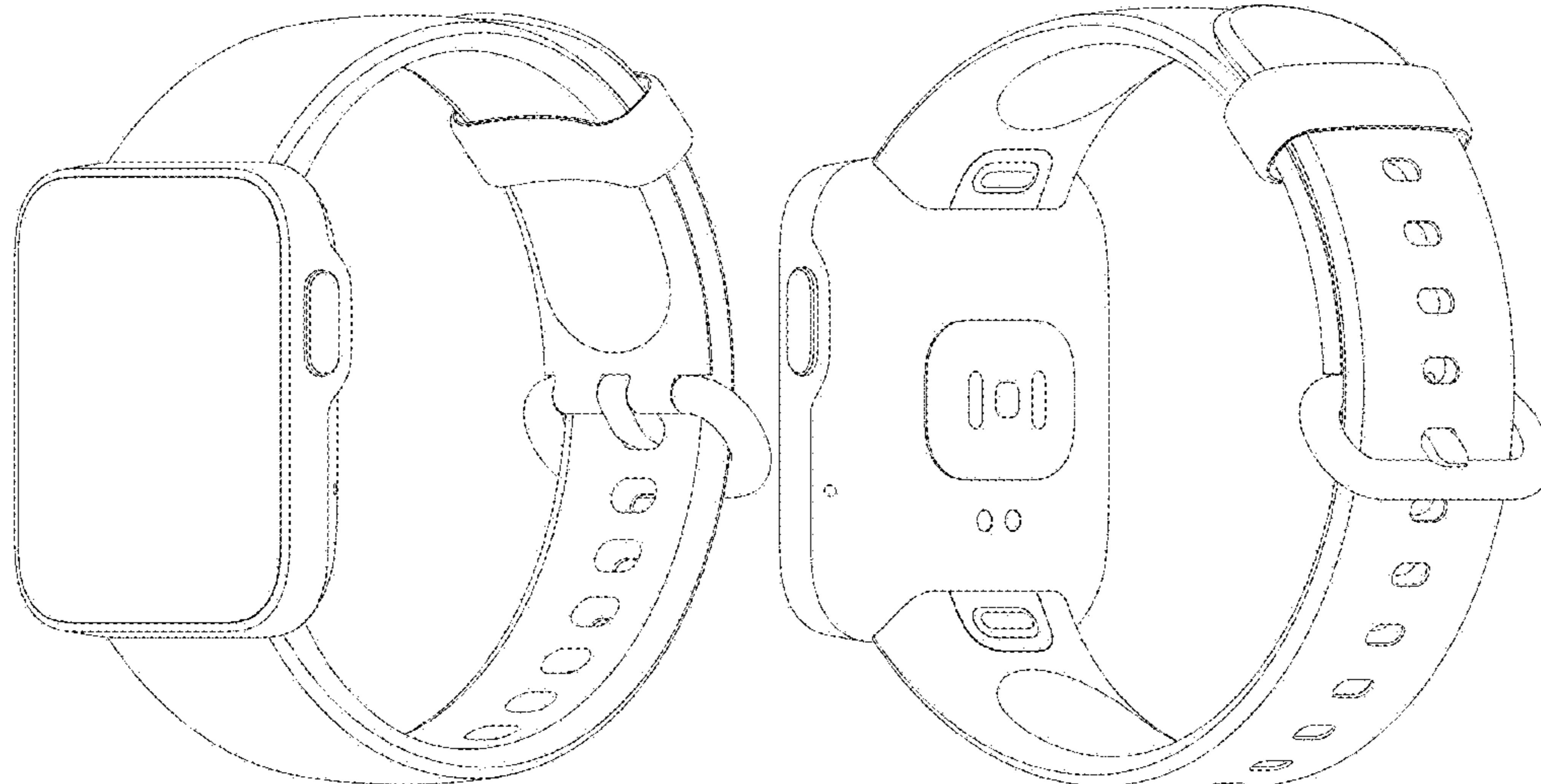
(57) **CLAIM**

The ornamental design for a smart watch, as shown and described.

DESCRIPTION

- 1. Smart watch
- 1.1 : Front
- 1.2 : Back
- 1.3 : Left
- 1.4 : Right
- 1.5 : Top
- 1.6 : Bottom
- 1.7 : Front Perspective
- 1.8 : Back Perspective

1 Claim, 8 Drawing Sheets



(56)

References Cited

U.S. PATENT DOCUMENTS

D912,665	S	*	3/2021	Zhang	D14/344
D922,376	S	*	6/2021	Zheng	D14/344
D923,003	S	*	6/2021	Lin	D14/344
D926,753	S	*	8/2021	Wu	D14/344
D933,066	S	*	10/2021	Li	D14/344
D933,497	S	*	10/2021	Panneer Selvam	D14/344
D933,651	S	*	10/2021	Cheng	D14/344
D935,453	S	*	11/2021	Gao	D14/344
D936,650	S	*	11/2021	Panneer Selvam	D14/344
D939,360	S	*	12/2021	Qu	D10/32
D947,055	S	*	3/2022	Tian	D14/440
2017/0032168	A1	*	2/2017	Kim	G06F 3/0362
2017/0248922	A1	*	8/2017	Hynecek	A45C 11/12
2020/0367816	A1	*	11/2020	Panneer Selvam	A61B 5/746
2021/0364992	A1	*	11/2021	Yang	G04G 9/007

FOREIGN PATENT DOCUMENTS

TW	D179642	S	11/2016
TW	D194440	S	12/2018

OTHER PUBLICATIONS

Fitbit Versa review, publication date Mar. 26, 2018, [online] URL: <https://www.digitaltrends.com/mobile/fitbit-versa-review/> (Year: 2018).*

Novus Modular Smartphone for Kids, publication date Jun. 21, 2019, [online] URL: <https://www.yankodesign.com/2019/06/21/novus-modular-smartphone-for-kids-is-the-worlds-first/> (Year: 2019).*

Old prototype surfaces of a square Motorola smartwatch, publication date Sep. 7, 2016, [online] URL: <https://www.talkandroid.com/301472-old-prototype-surfaces-of-a-square-motorola-smartwatch/> (Year: 2016).*

Pebble Time smartwatch breaks Kickstarter records, publication date Feb. 24, 2015, [online] URL: <https://www.dezeen.com/2015/02/24/pebble-time-smartwatch-breaks-kickstarter-funding-record-one-hour/> (Year: 2015).*

Xiaomi Mi Watch, publication date Oct. 31, 2019, [online] URL: <https://www.yankodesign.com/2019/10/31/xiaomi-mi-watch-not-the-first-time-the-chinese-company-blatantly-copied-apple/> (Year: 2019).*

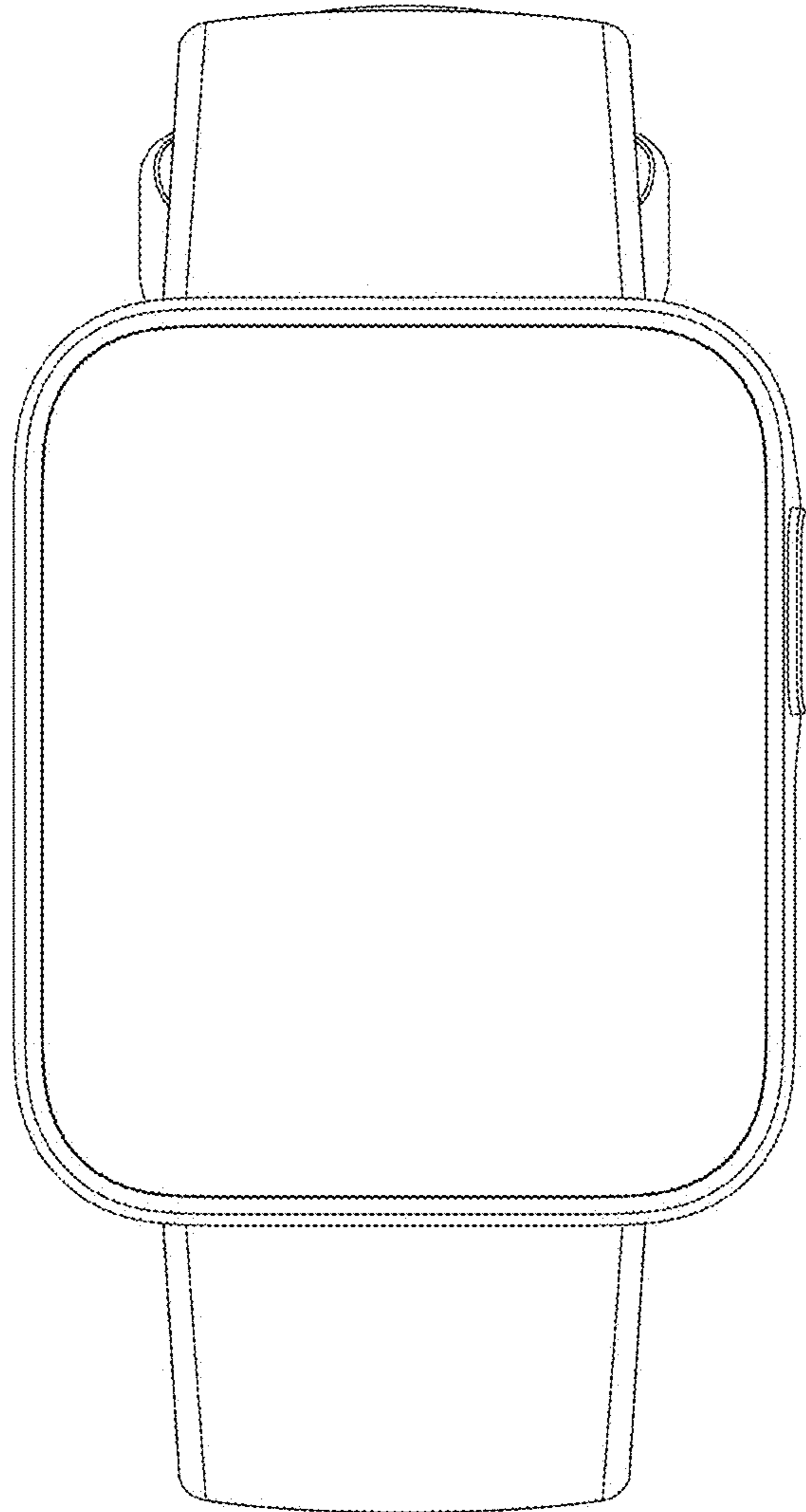
Xiaomi Mi Watch Lite review, publication date Aug. 1, 2021, [online] URL: <https://www.androidauthority.com/xiaomi-mi-watch-lite-review-1187945/> (Year: 2021).*

Xiaomi Mi Watch Lite vs Redmi Watch: Which one is better for you?, publication date Dec. 16, 2020, [online] URL: <https://www.youtube.com/watch?v=cOAqgxKIYMs> (Year: 2020).*

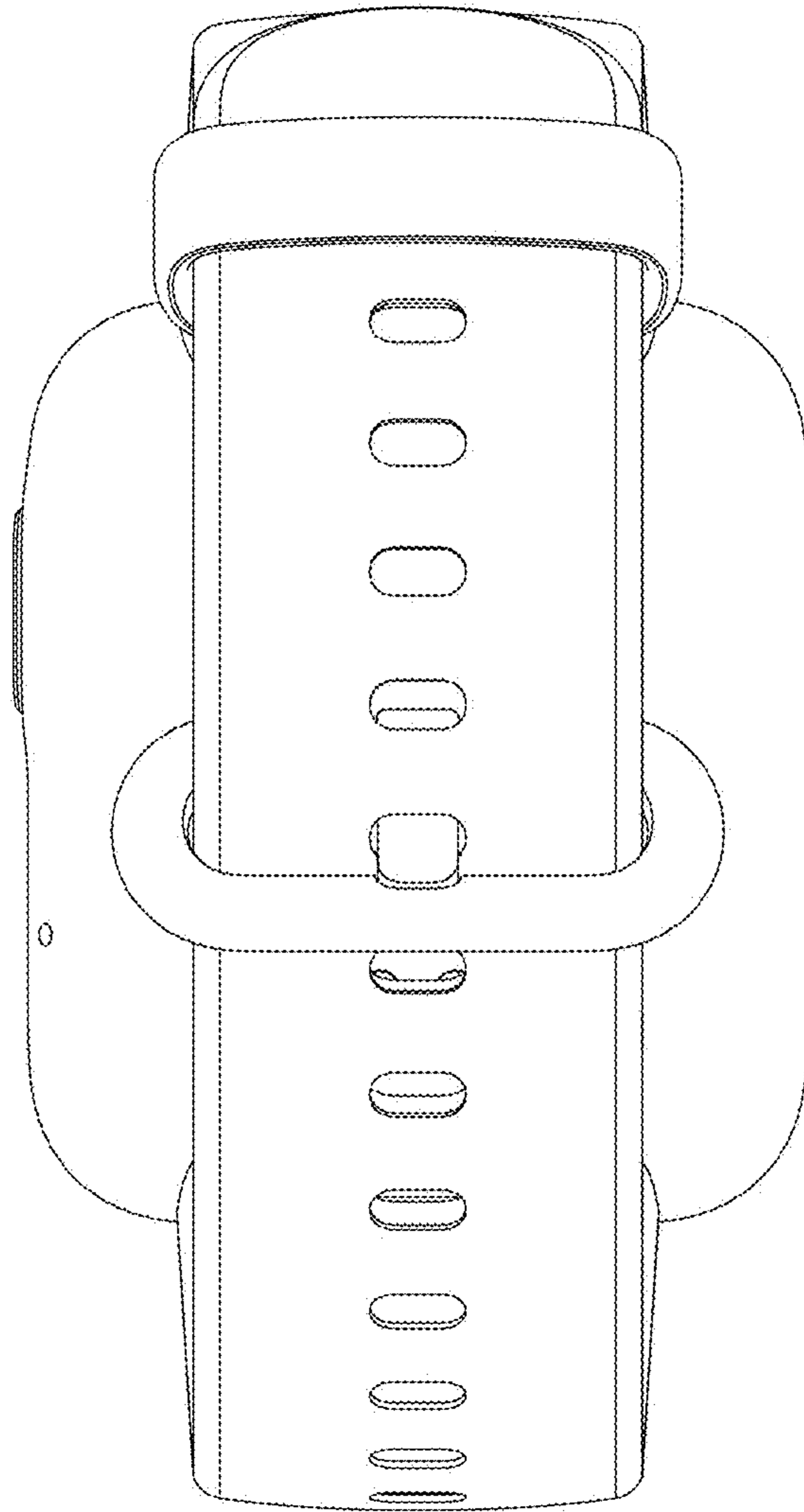
Danawa, "Allup Skin Xiaomi Mi Watch Light Full Cover LCD Protector 2 Sheets", Aug. 31, 2015. <https://prod.danawa.com/info/?pcode=14175119>.

First Office Action of the Korean application No. WIPO102538, dated May 30, 2022.

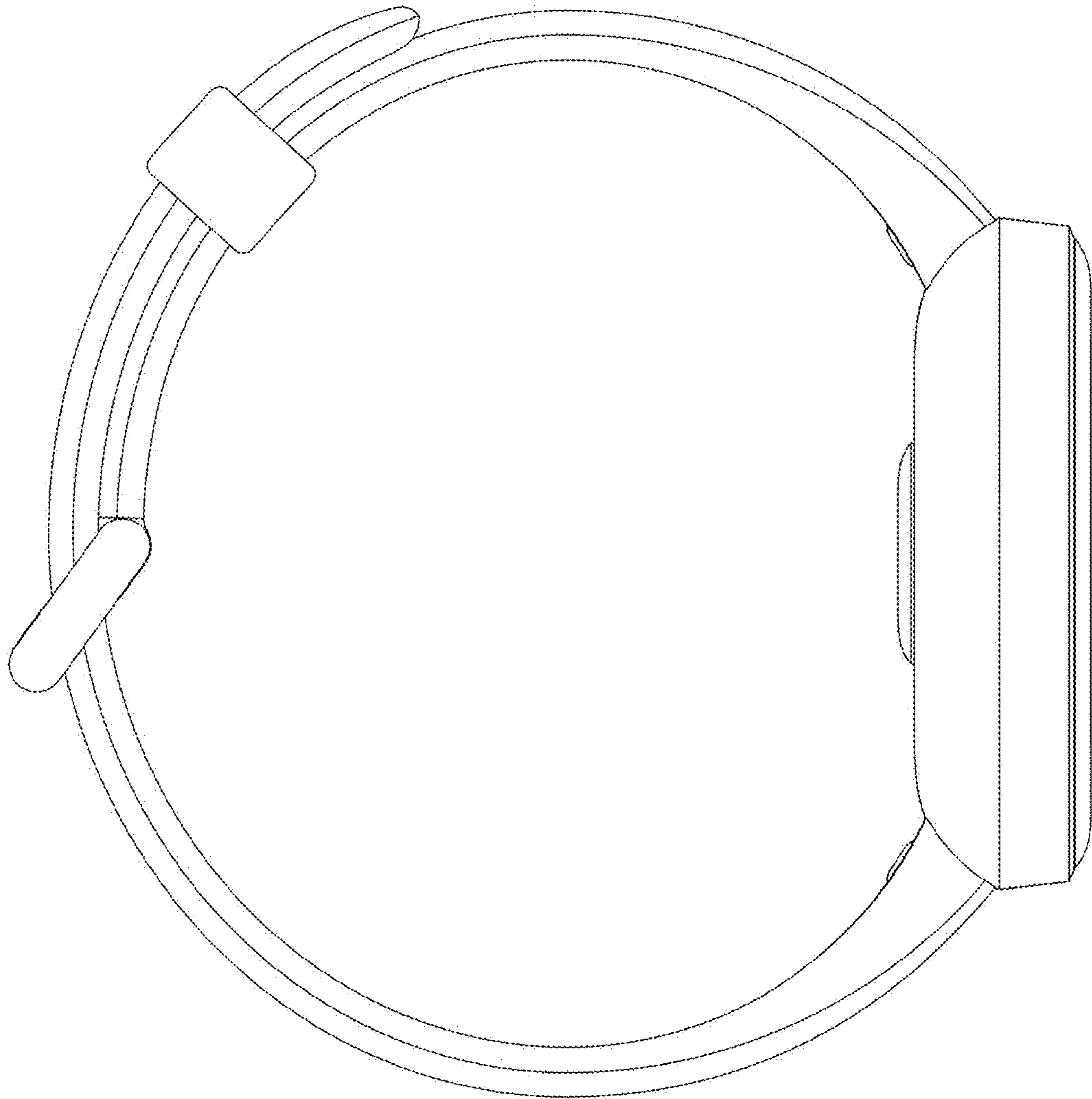
* cited by examiner



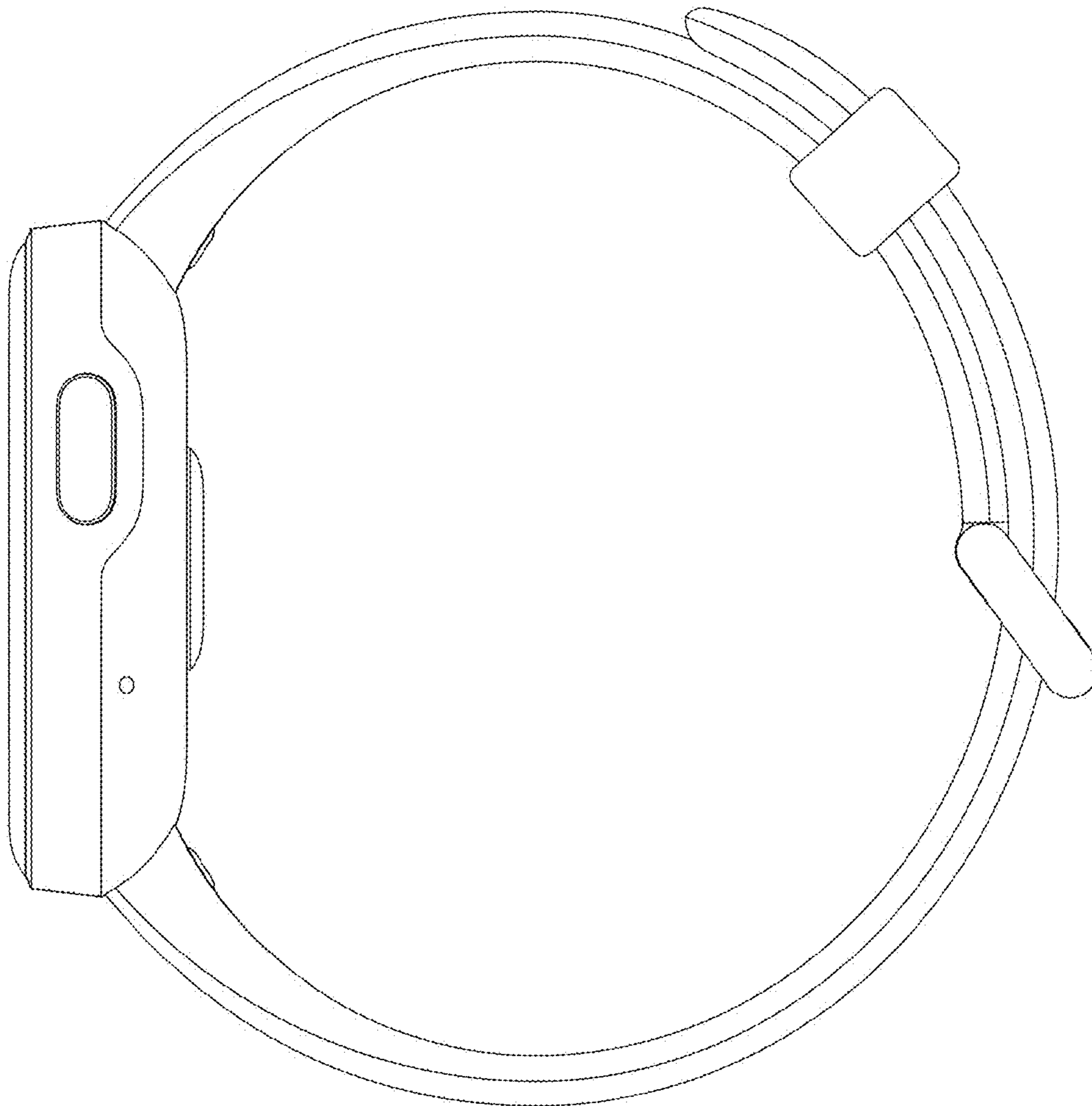
1.1



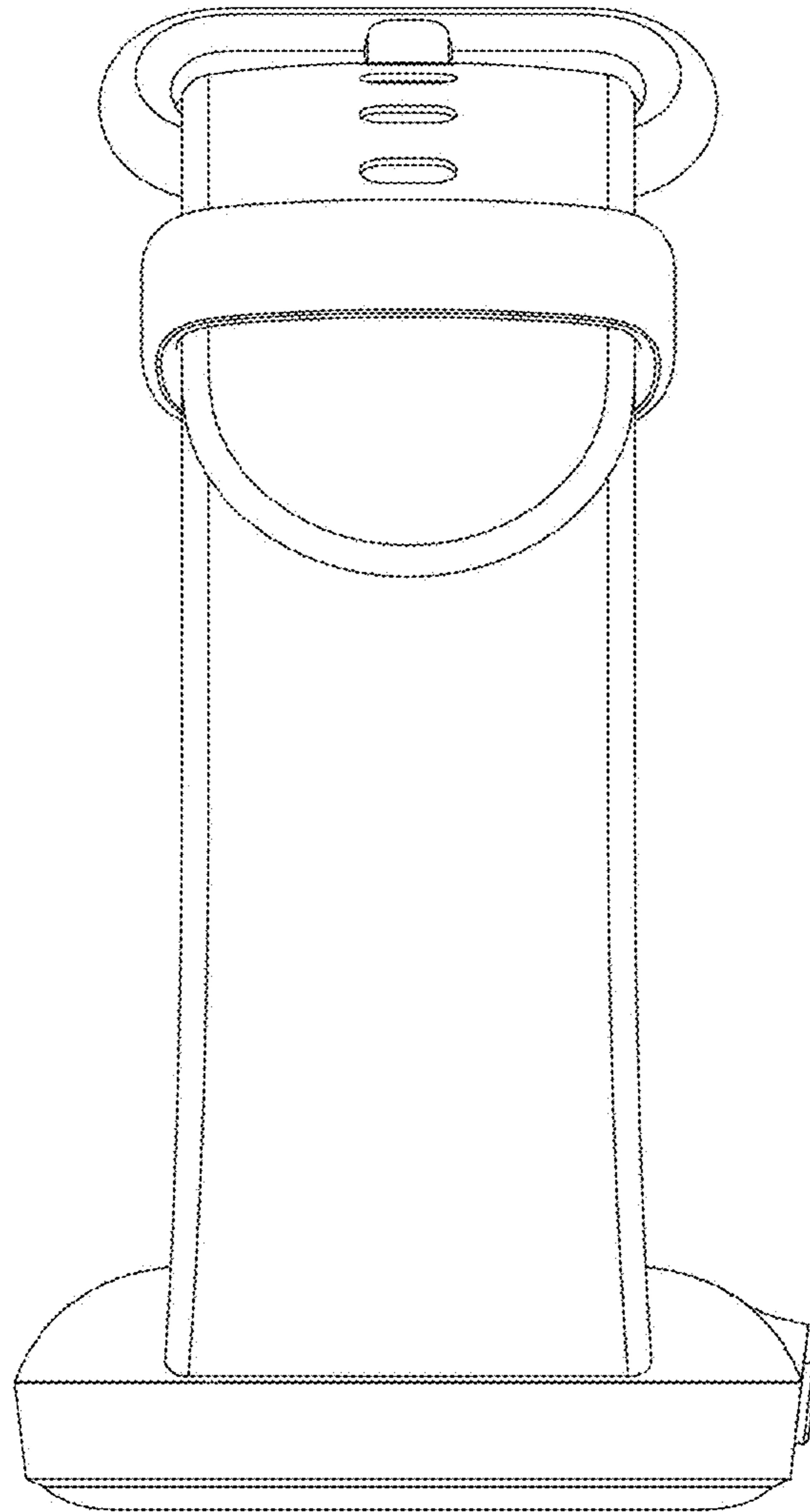
1.2



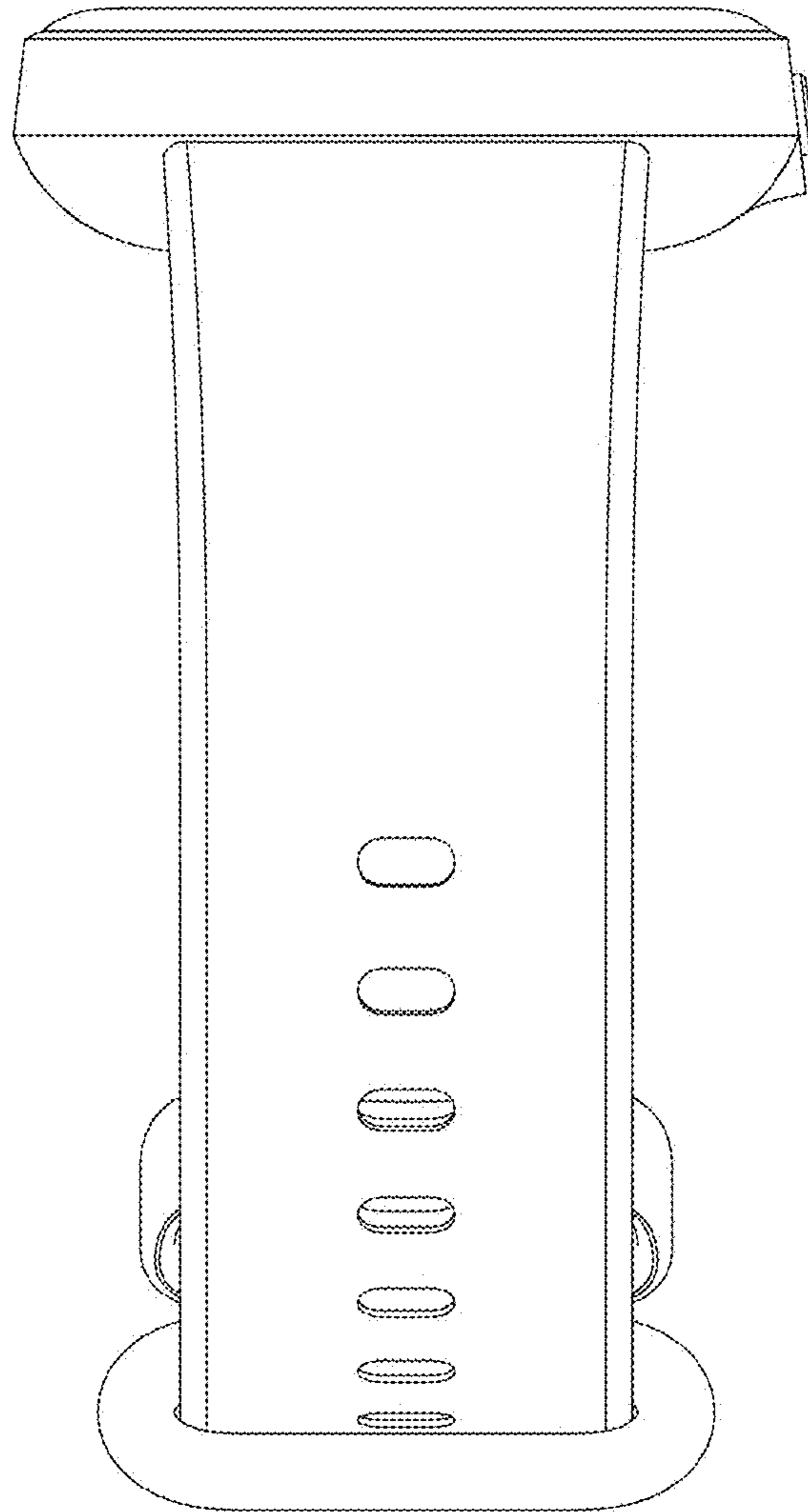
1.3



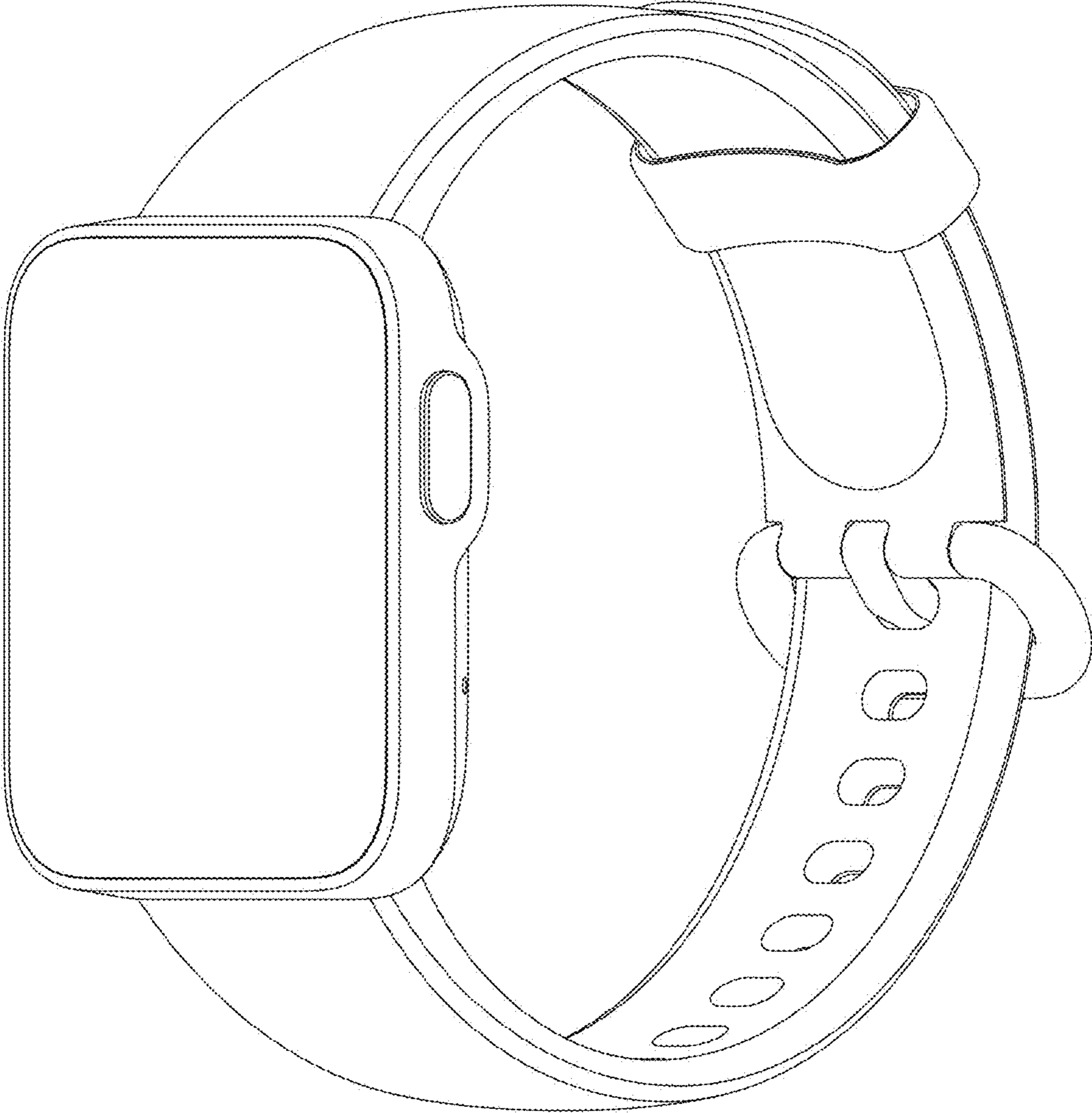
1.4



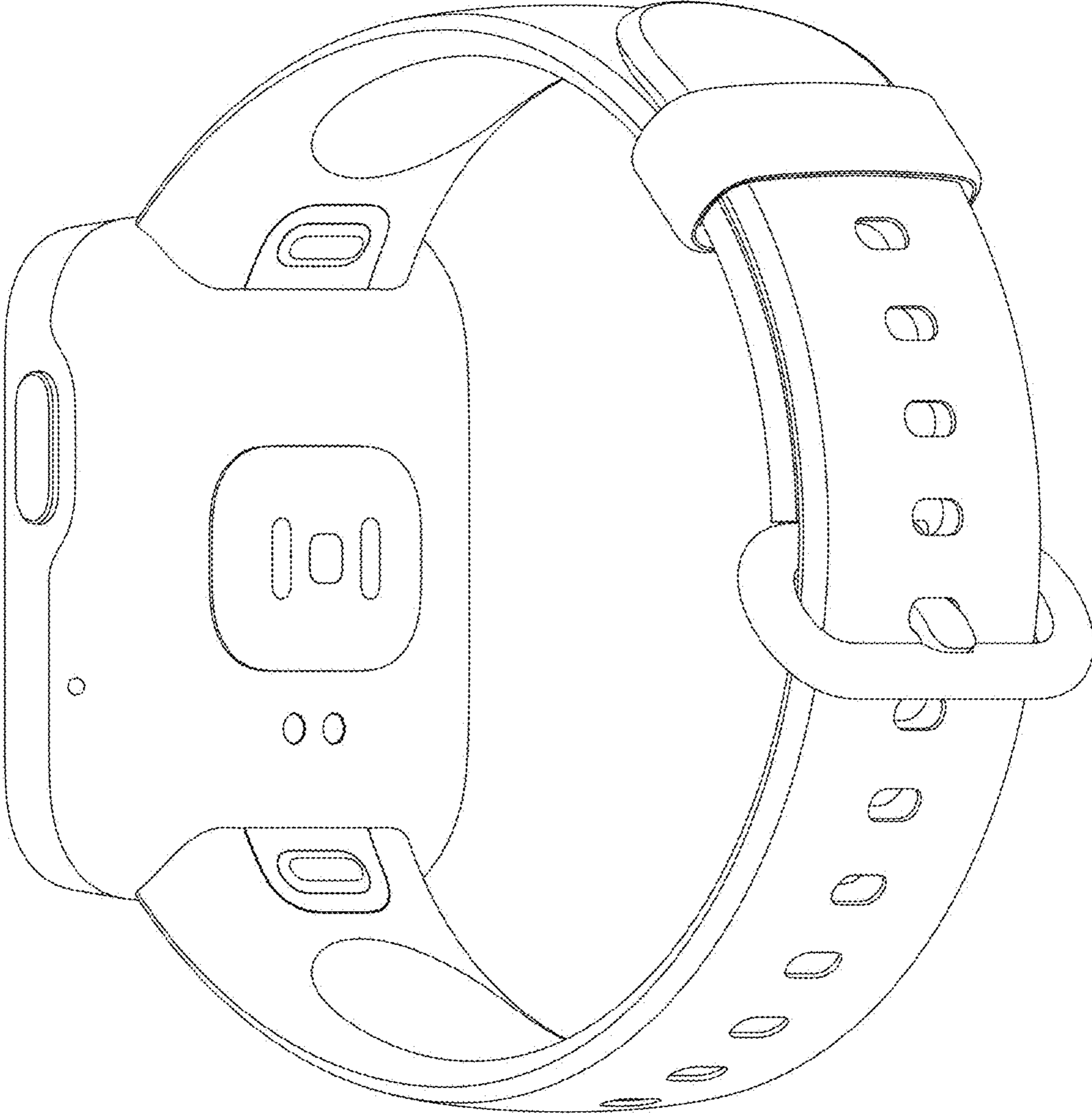
1.5



1.6



1.7



1.8