



US00D970494S

(12) **United States Design Patent** (10) **Patent No.:** **US D970,494 S**  
**McIntosh** (45) **Date of Patent:** **\*\* Nov. 22, 2022**

(54) **CUP HOLDER INSERT WITH CELL PHONE  
RETAINER**

D710,363 S \* 8/2014 Wengreen ..... D8/380  
D727,143 S \* 4/2015 Gomez ..... D14/251  
D732,013 S \* 6/2015 Aspinall ..... D14/253

(Continued)

(71) Applicant: **Scott J. McIntosh**, Franklin, TN (US)

(72) Inventor: **Scott J. McIntosh**, Franklin, TN (US)

(73) Assignee: **Cell Phone Seat LLC**, Franklin, TN  
(US)

(\*\*) Term: **15 Years**

(21) Appl. No.: **29/757,734**

(22) Filed: **Nov. 9, 2020**

(51) **LOC (13) Cl.** ..... **14-03**

(52) **U.S. Cl.**  
USPC ..... **D14/253**

(58) **Field of Classification Search**  
USPC ..... D3/218, 304; D8/331; D9/434;  
D12/407, 415, 419; D14/209.1, 217, 226,  
D14/238, 250, 251, 252, 253  
CPC ..... B60R 11/0241; B60R 2011/0075; B60R  
2011/0071; B60R 2011/0059; B60R  
11/02; B60R 2011/0007; H04M 1/0202;  
H04M 1/04; H04M 1/05; H04M 1/6075;  
H04M 1/72409

See application file for complete search history.

(56) **References Cited**

U.S. PATENT DOCUMENTS

D280,466 S \* 9/1985 Seltzer ..... D6/567  
D365,714 S \* 1/1996 Masello ..... D6/567  
D376,805 S \* 12/1996 Johansson ..... D8/349  
5,745,565 A 4/1998 Wakefield  
5,825,874 A \* 10/1998 Humphreys ..... H04M 1/04  
379/446  
D426,235 S \* 6/2000 Phirippidis ..... D8/71  
D446,698 S 8/2001 Thomas  
6,396,925 B1 5/2002 Close  
6,533,233 B2 3/2003 Thomas  
D508,605 S \* 8/2005 Hwang ..... D3/218  
8,550,550 B2 10/2013 Cassese et al.

FOREIGN PATENT DOCUMENTS

KR 101407844 B1 6/2014  
KR 102113123 B1 5/2020

OTHER PUBLICATIONS

Kickstarter “Cell Phone Seat—A Simple Cell Phone Holder For Your Car” web page content obtained Nov. 4, 2020 from <https://www.kickstarter.com/projects/cellphoneseat/cell-phone-seat-a-simple-cell-phone-holder-for-you/description>.

(Continued)

*Primary Examiner* — Joseph Kukella  
*Assistant Examiner* — Darryl J Dardenne  
(74) *Attorney, Agent, or Firm* — Master Key IP; Jeromye V. Sartain

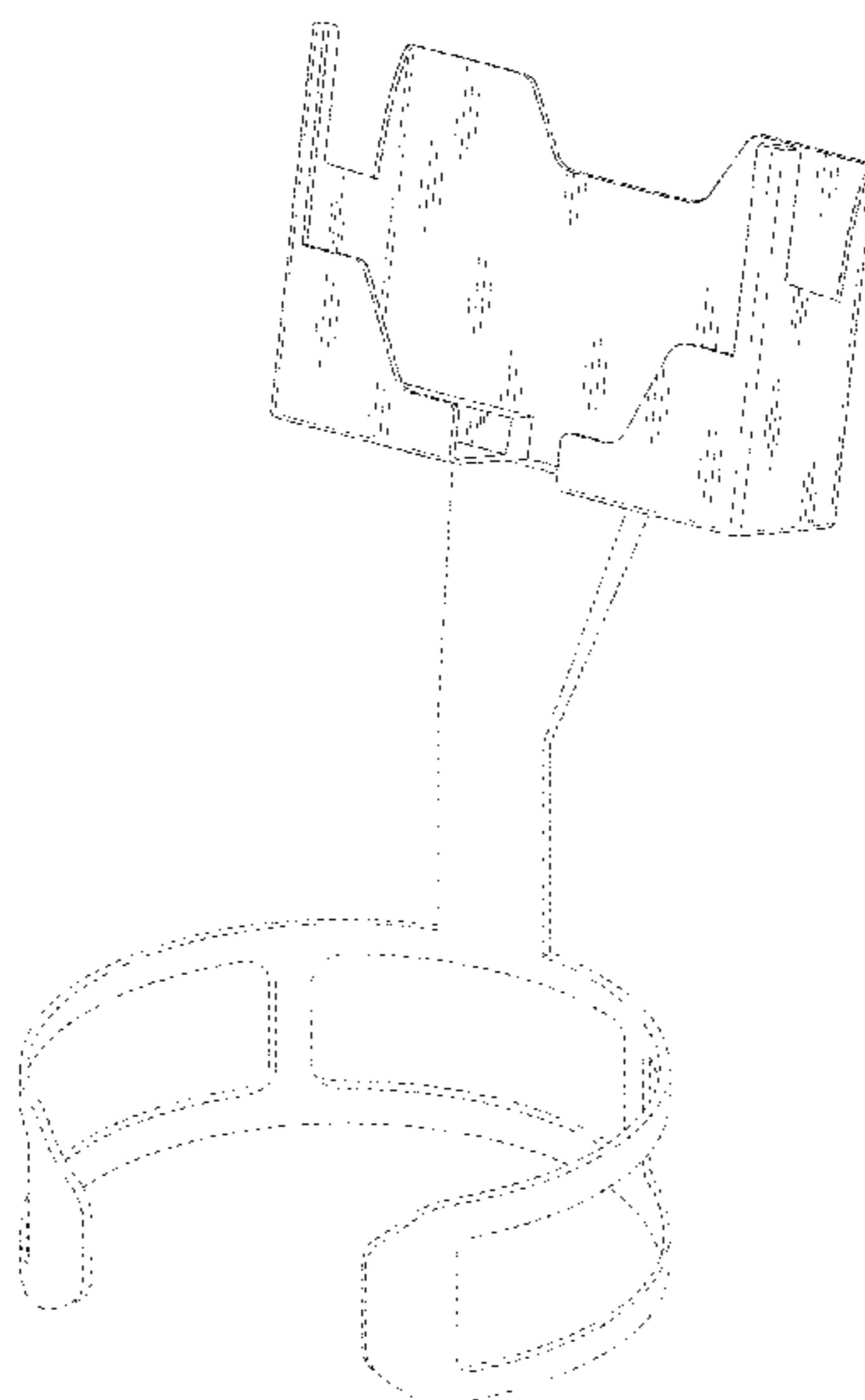
(57) **CLAIM**

The ornamental design for a cup holder insert with cell phone retainer, as shown and described.

**DESCRIPTION**

FIG. 1 is a perspective view of a cup holder insert with cell phone retainer showing my new design;  
FIG. 2 is a front view thereof;  
FIG. 3 is a rear view thereof;  
FIG. 4 is a side view thereof;  
FIG. 5 is a top view thereof; and,  
FIG. 6 is a bottom view thereof.  
Due to the symmetry of the cup holder insert with cell phone retainer design, separate left and right side views are not needed as being redundant.  
In the drawings, the broken lines depict environmental subject matter only and form no part of the claimed design.

**1 Claim, 5 Drawing Sheets**



(56)

**References Cited**

U.S. PATENT DOCUMENTS

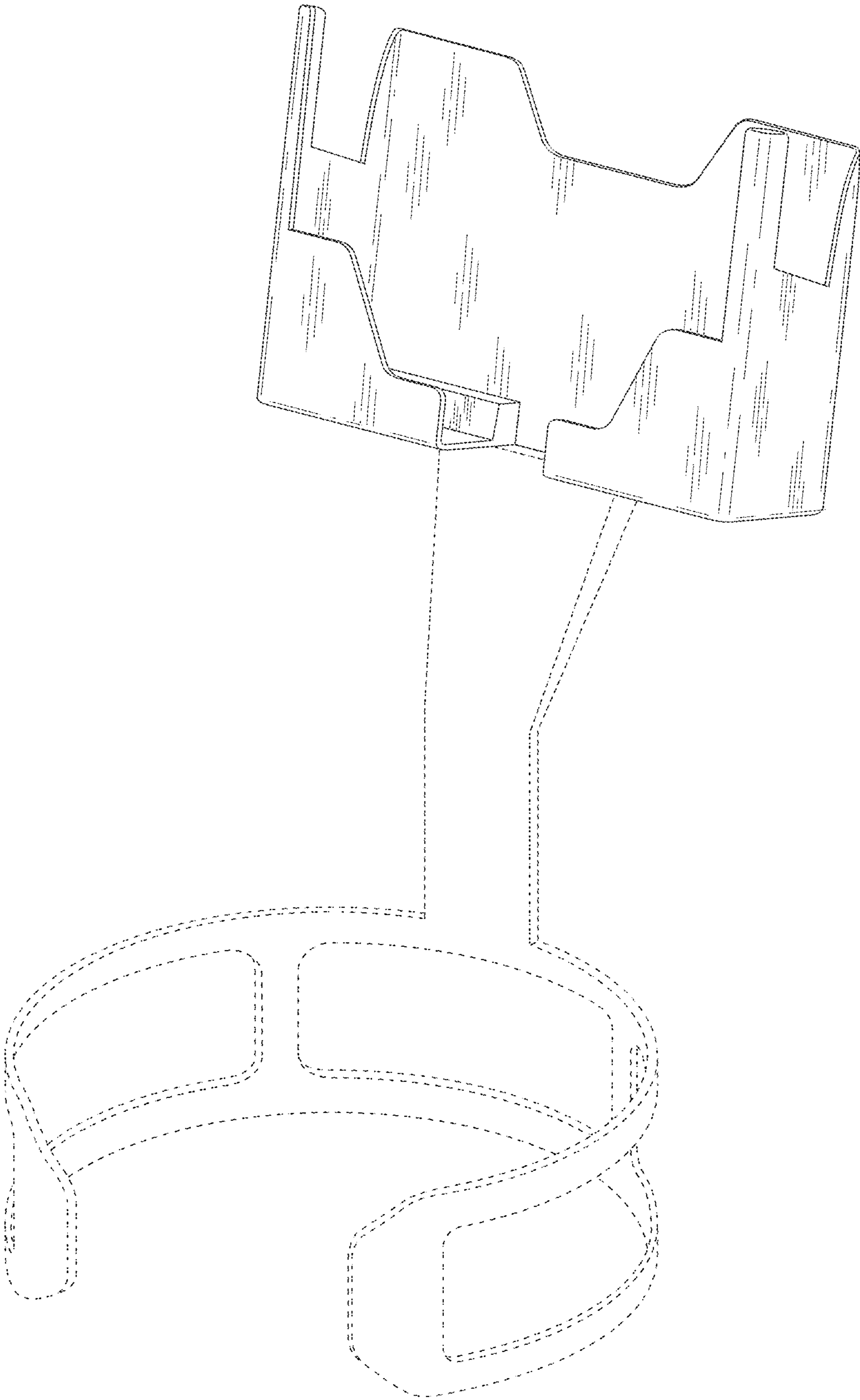
9,221,376 B2 12/2015 Baker  
 D765,648 S \* 9/2016 Starkenburg ..... D12/415  
 D772,217 S \* 11/2016 Alesi ..... D14/253  
 D772,859 S \* 11/2016 Alesi ..... D14/253  
 D797,546 S \* 9/2017 Saideh ..... D8/354  
 9,819,377 B1 \* 11/2017 Singh ..... H04B 1/3877  
 D812,064 S \* 3/2018 Wengreen ..... D14/238.1  
 D813,241 S \* 3/2018 Wengreen ..... D14/496  
 D838,107 S \* 1/2019 Daly ..... D3/304  
 D873,205 S 1/2020 MacNeil et al.  
 D877,043 S 3/2020 MacNeil et al.  
 D878,279 S 3/2020 MacNeil et al.  
 10,576,905 B1 3/2020 MacNeil et al.  
 10,717,396 B2 7/2020 MacNeil et al.  
 D898,730 S \* 10/2020 Comelek ..... D14/253  
 D929,391 S \* 8/2021 Chen ..... D14/253  
 D931,270 S \* 9/2021 Qiu ..... D14/253

D944,717 S \* 3/2022 Iverson ..... D12/419  
 D949,842 S \* 4/2022 Qiu ..... D12/407  
 2001/0032791 A1 10/2001 Hudson  
 2008/0019082 A1 1/2008 Krieger et al.  
 2014/0170977 A1 \* 6/2014 Ryan ..... H04B 1/3883  
 455/575.9  
 2018/0072210 A1 3/2018 Huelke et al.

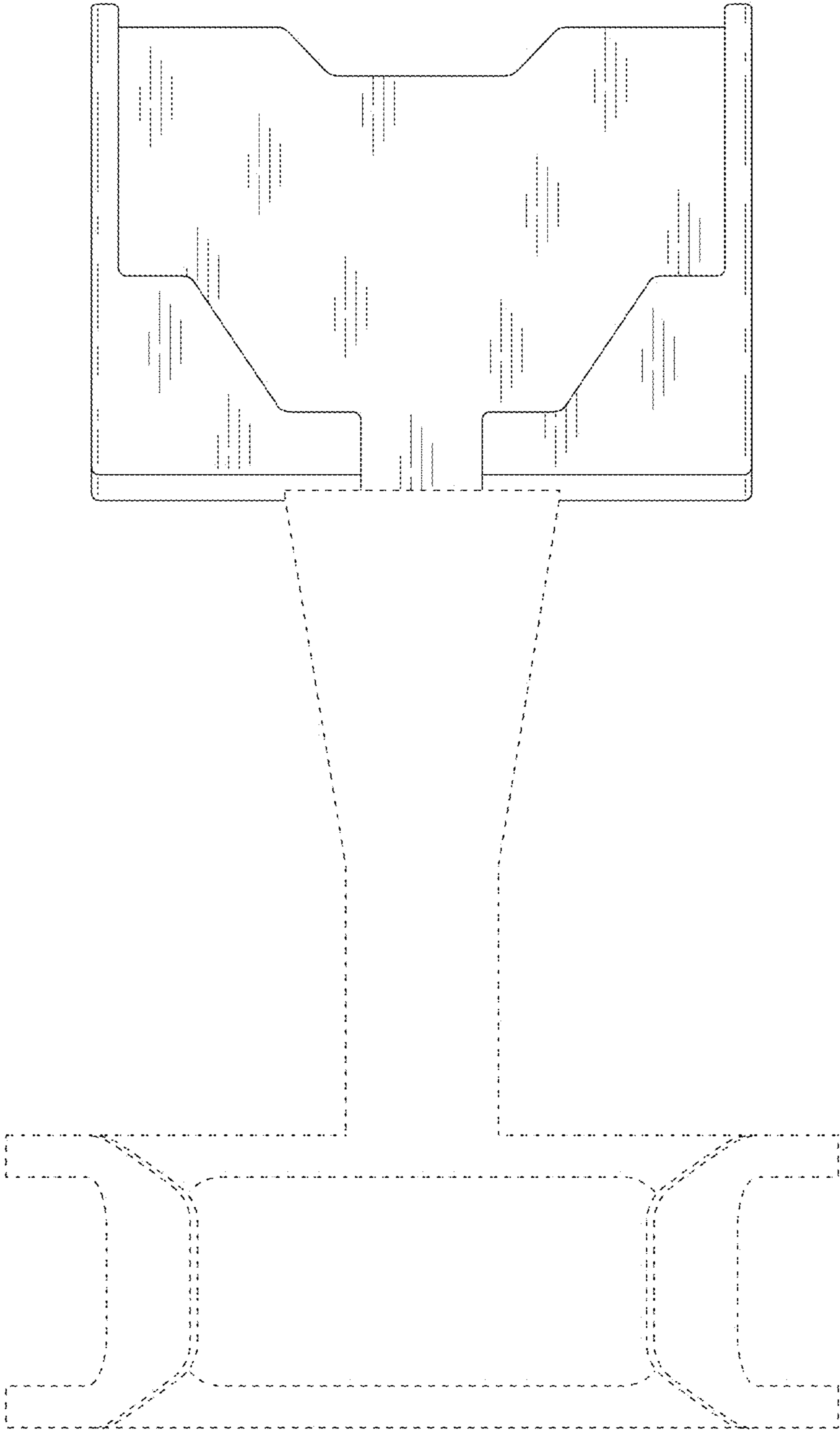
OTHER PUBLICATIONS

WeatherTech “WeatherTech CupFone” web page content obtained Nov. 4, 2020 from [https://www.weathertech.com/products/weathertech-cupfone/?utm\\_source=BingAds&utm\\_medium=CPC&utm\\_campaign=CupFone-Brand&msclkid=2db460fb5ac81cdca76f3f58753cb454](https://www.weathertech.com/products/weathertech-cupfone/?utm_source=BingAds&utm_medium=CPC&utm_campaign=CupFone-Brand&msclkid=2db460fb5ac81cdca76f3f58753cb454).  
 CupCall “Ultimate Cell Phone Mount Fits Any Car Cup Holder” web page content obtained Nov. 4, 2020 from <https://getcupcall.com/?ref=getcupcall.com>.

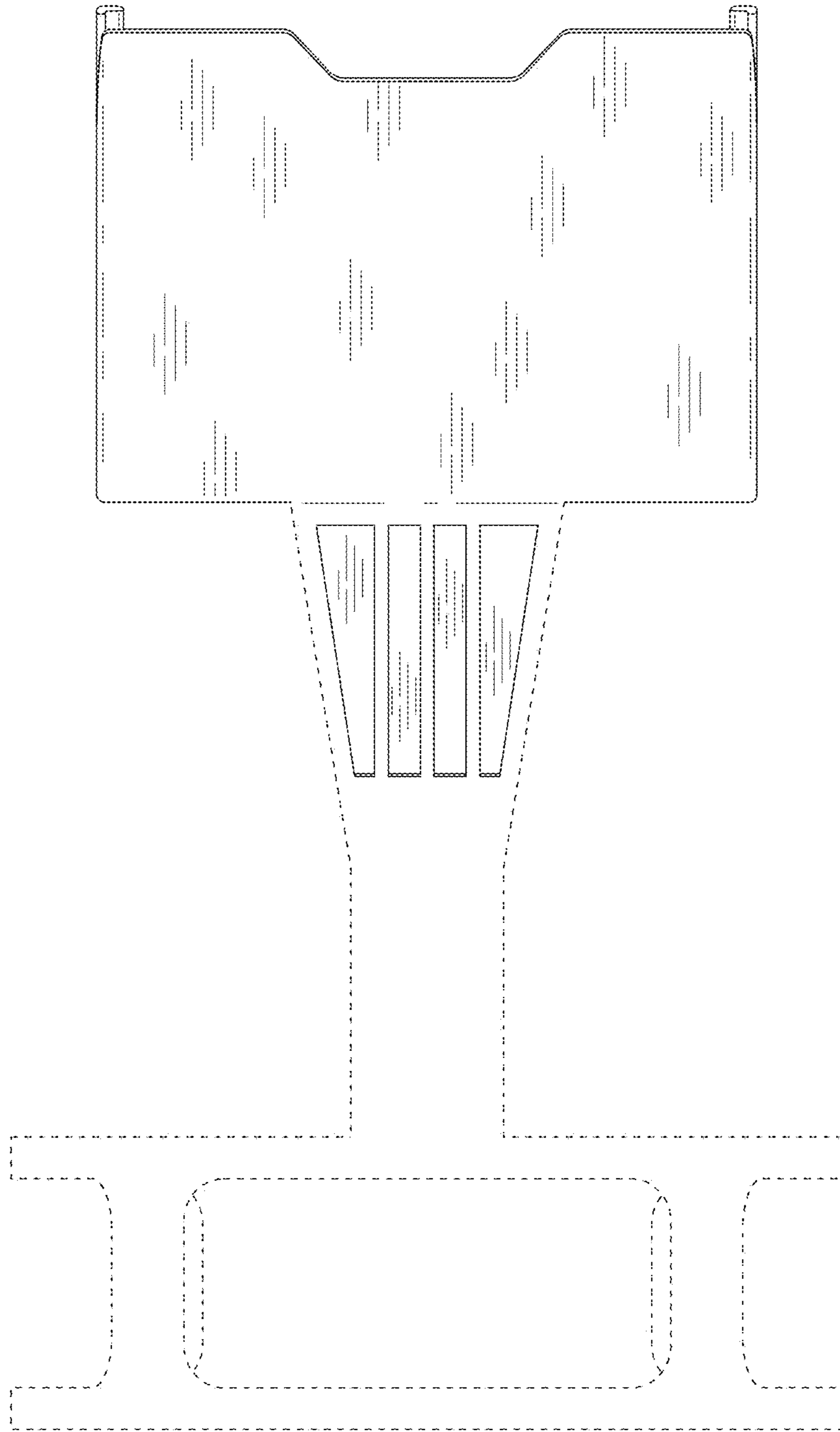
\* cited by examiner



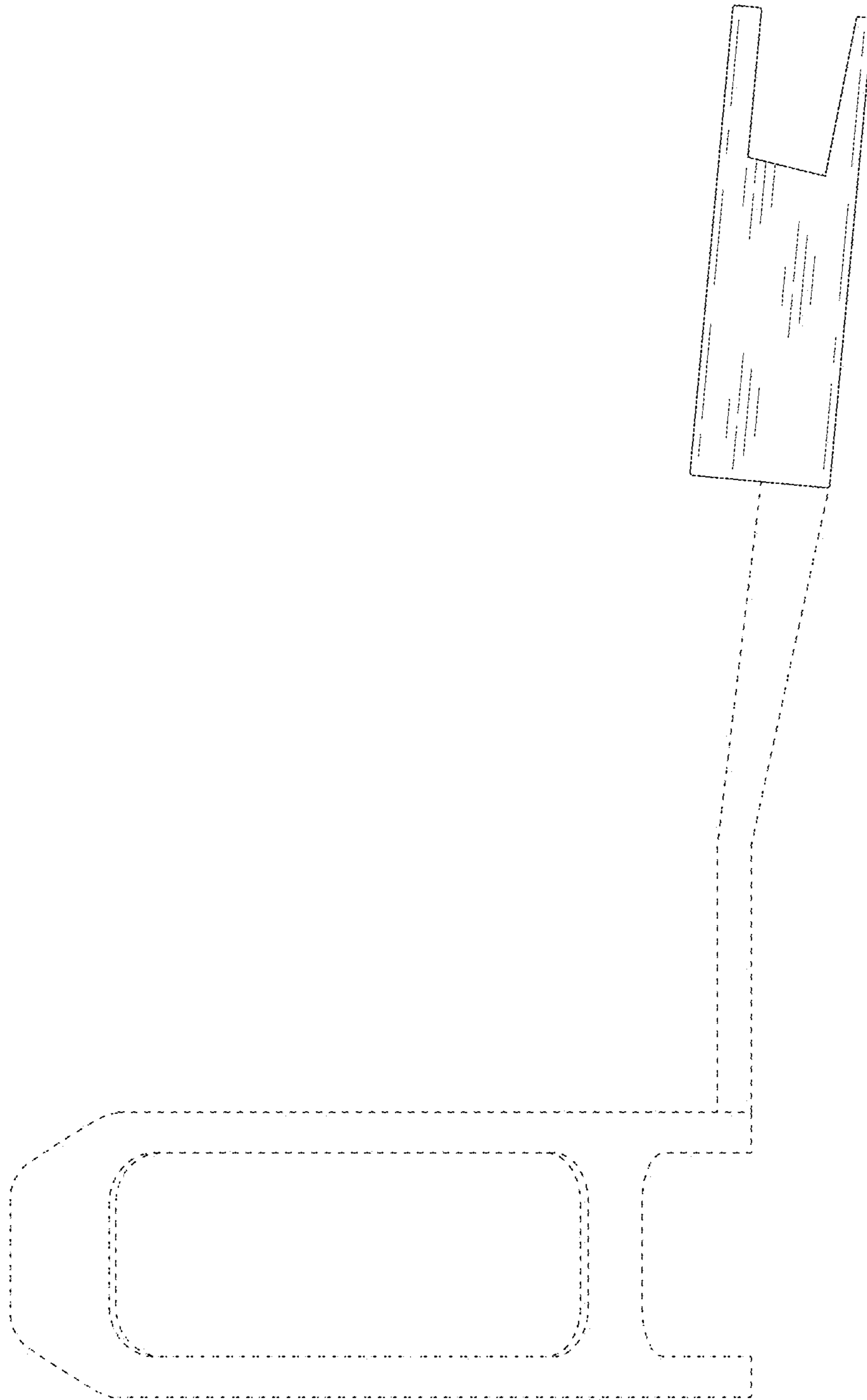
*Fig. 1*



*Fig. 2*

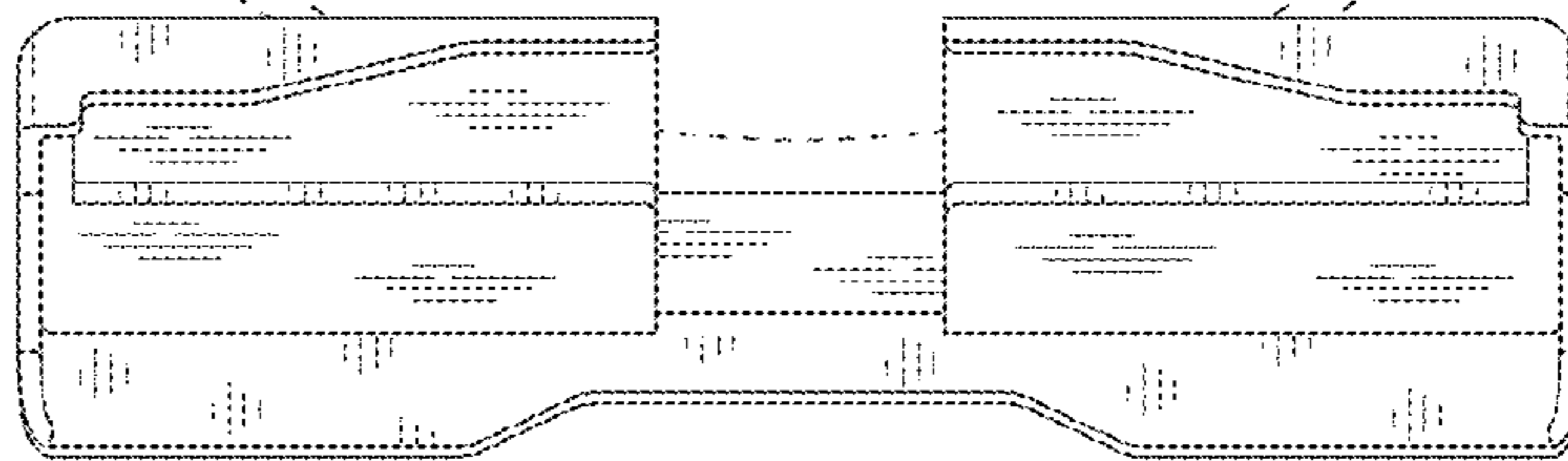
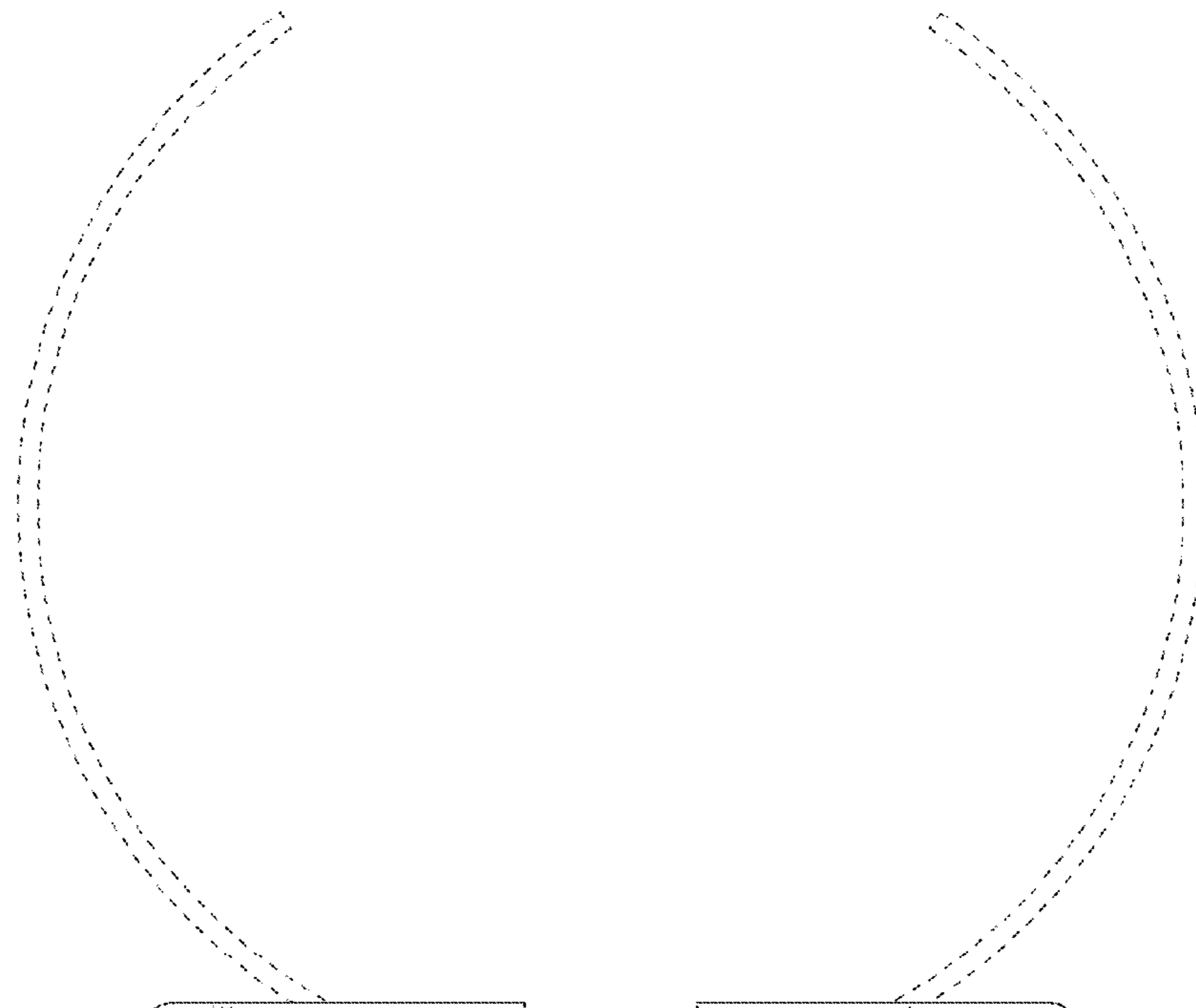


*Fig. 3*

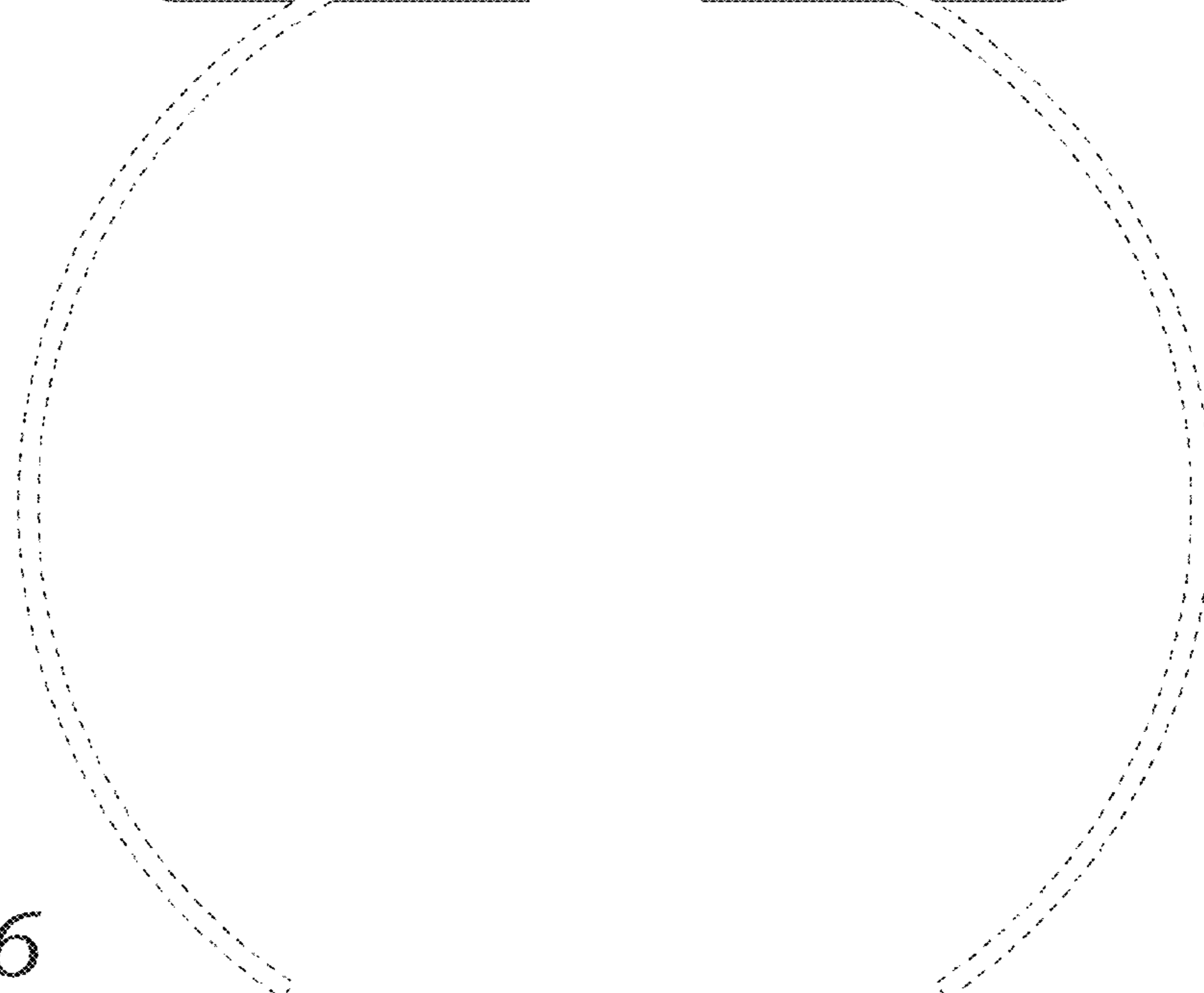
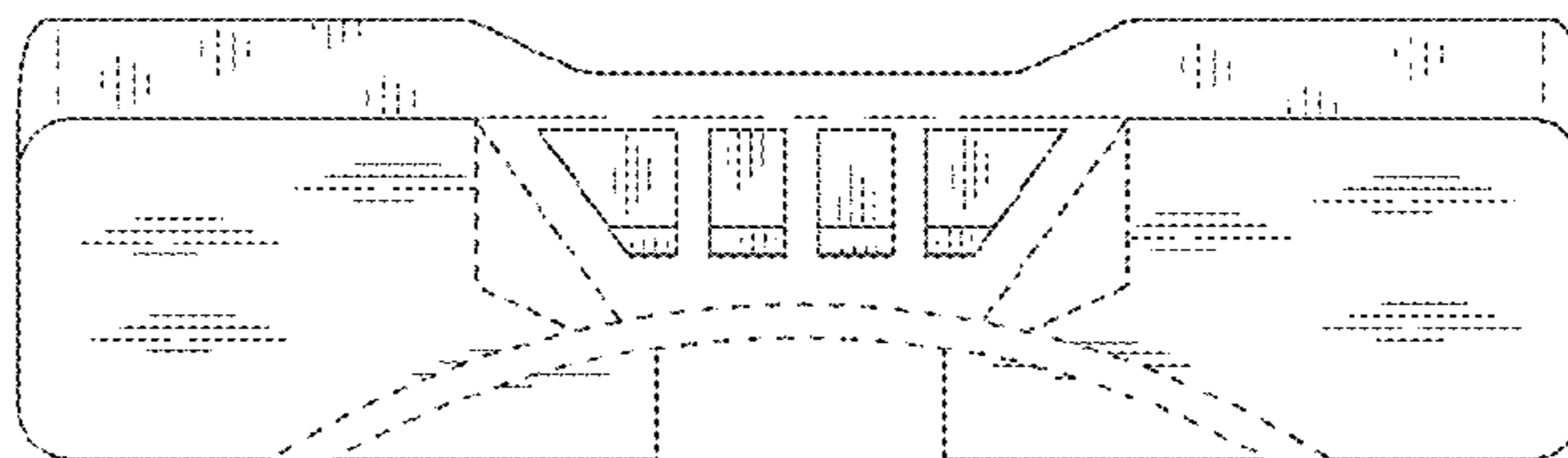


*Fig. 4*





*Fig. 5*



*Fig. 6*