



US00D970493S

(12) **United States Design Patent** (10) **Patent No.:** **US D970,493 S**  
**Cheng** (45) **Date of Patent:** **\*\* Nov. 22, 2022**

(54) **PHONE CASE**  
(71) Applicant: **GUANGZHOU HUIYUE TECHNOLOGY DEVELOPMENT CO., LTD.**, Guangzhou (CN)  
(72) Inventor: **Ganhua Cheng**, Anqing (CN)  
(73) Assignee: **GUANGZHOU HUIYUE TECHNOLOGY DEVELOPMENT CO., LTD.**, Guangzhou (CN)  
(\*\*) Term: **15 Years**  
(21) Appl. No.: **29/845,056**  
(22) Filed: **Jul. 4, 2022**  
(30) **Foreign Application Priority Data**  
Jun. 20, 2022 (CN) ..... 202230378411.X  
(51) **LOC (13) Cl.** ..... **14-03**  
(52) **U.S. Cl.**  
USPC ..... **D14/250**  
(58) **Field of Classification Search**  
USPC ..... D14/203.3–203.7, 439, 447, 251–253, D14/217, 240, 238.1, 440, 248, 250; D13/103, 107–108, 119; D3/201, 218, D3/247, 249, 269, 273, 301, 303  
CPC ..... A45C 11/00; A45C 2011/002; A45C 1/06; A45C 13/02; A45F 2200/0525; A45F 2005/026; A45F 2200/0516; H04M 1/0283; H04M 1/0202; H04B 1/3888  
See application file for complete search history.

(56) **References Cited**  
U.S. PATENT DOCUMENTS  
7,343,184 B2 \* 3/2008 Rostami ..... H04B 1/3888 455/550.1  
7,641,046 B2 \* 1/2010 Tsang ..... A45C 11/18 206/320

D709,486 S \* 7/2014 Lin ..... D14/250  
D768,612 S 10/2016 Wright et al.  
D791,759 S \* 7/2017 Lin ..... D14/250  
D803,221 S \* 11/2017 Guo ..... D14/440  
D806,082 S \* 12/2017 Armstrong ..... D14/440  
D831,349 S \* 10/2018 Deng ..... D3/247  
D843,364 S \* 3/2019 Sasaki ..... D14/250  
10,327,525 B2 \* 6/2019 Deng ..... A45C 1/06

(Continued)

*Primary Examiner* — Carla J Wright

(57) **CLAIM**

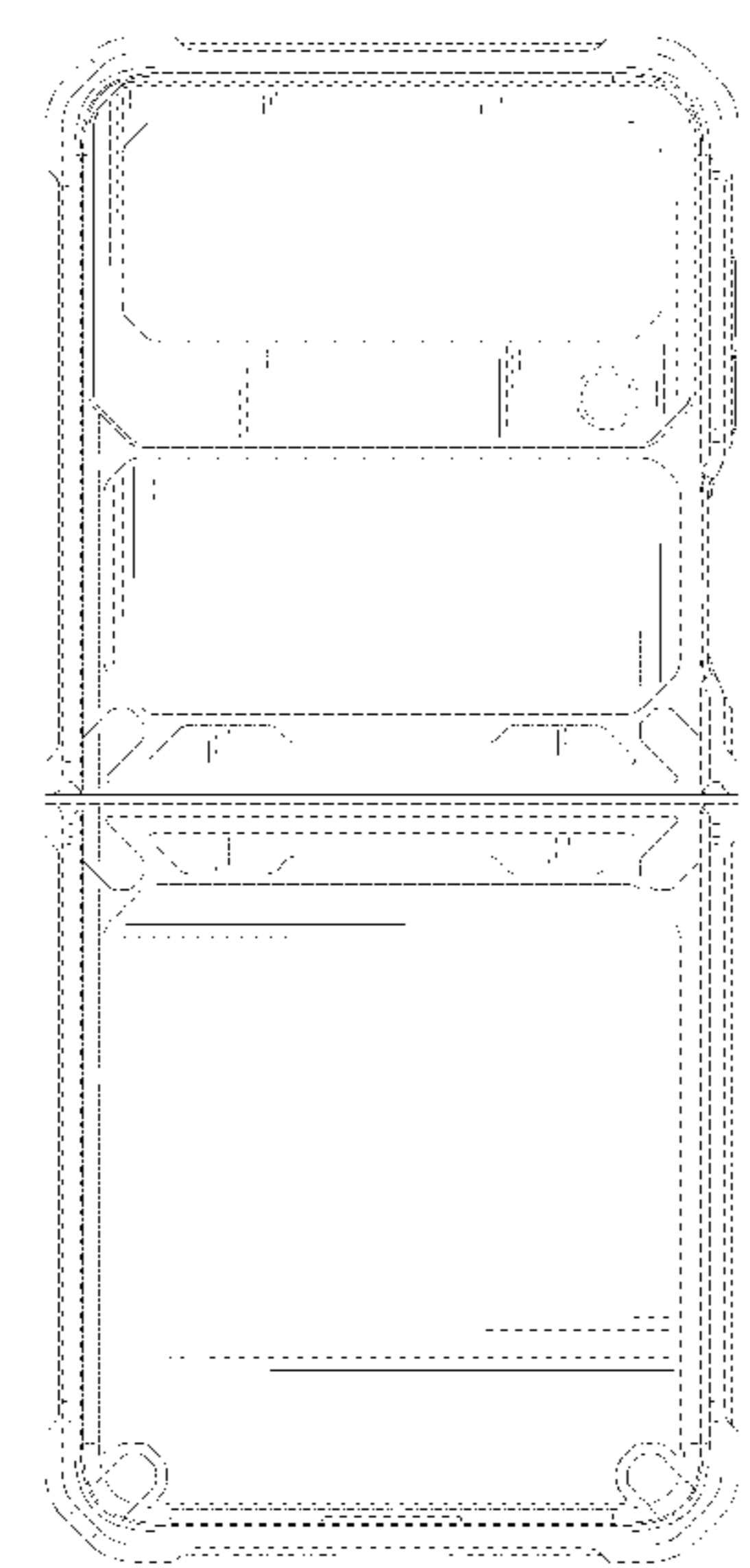
The ornamental design for a phone case, as shown and described.

**DESCRIPTION**

FIG. 1 is a front elevational view of a phone case showing my new design;  
FIG. 2 is a rear elevational view thereof;  
FIG. 3 is a left side elevational view thereof;  
FIG. 4 is a right side elevational view thereof;  
FIG. 5 is a top plan view thereof;  
FIG. 6 is a bottom plan view thereof;  
FIG. 7 is a perspective view thereof;  
FIG. 8 is another perspective view thereof;  
FIG. 9 is a front elevational view of the phone case where the phone case is in a fully folded state;  
FIG. 10 is a rear elevational view thereof;  
FIG. 11 is a left side elevational view thereof;  
FIG. 12 is a right side elevational view thereof;  
FIG. 13 is a top plan view thereof;  
FIG. 14 is a bottom plan view thereof;  
FIG. 15 is a left side elevational view of the phone case where the phone case is in a first configuration of use;  
FIG. 16 is right side elevational view thereof;  
FIG. 17 is a perspective view of the phone case where the phone case is in a second configuration of use; and  
FIG. 18 is another perspective view thereof.

The broken lines in the drawings depict portions of the phone case that form no part of the claimed design.

**1 Claim, 18 Drawing Sheets**



(56)

**References Cited**

## U.S. PATENT DOCUMENTS

10,382,082 B2 \* 8/2019 Sasaki ..... A45C 11/00  
D868,052 S \* 11/2019 Jia ..... D14/250  
D868,053 S \* 11/2019 Gao ..... D14/250  
10,491,725 B1 \* 11/2019 Harmon ..... H04M 1/0268  
D892,100 S 8/2020 Kim  
D898,016 S \* 10/2020 Liang ..... D14/250  
D911,323 S \* 2/2021 Kim ..... D14/250  
D933,056 S \* 10/2021 Kwon ..... D14/250  
D933,644 S \* 10/2021 Choi ..... D14/250  
D937,250 S \* 11/2021 Jakobuco ..... D14/250  
D941,282 S \* 1/2022 Bai ..... D14/250  
D947,829 S \* 4/2022 Choi ..... D14/250  
D961,574 S \* 8/2022 Gao ..... D14/253  
2006/0160586 A1 \* 7/2006 Cheng ..... H04M 1/0283  
455/575.8  
2017/0112248 A1 \* 4/2017 Haarburger ..... A45C 13/001  
2018/0139857 A1 \* 5/2018 Cavenagh ..... H04M 1/185  
2021/0273672 A1 \* 9/2021 Altaras ..... H04M 1/185

\* cited by examiner

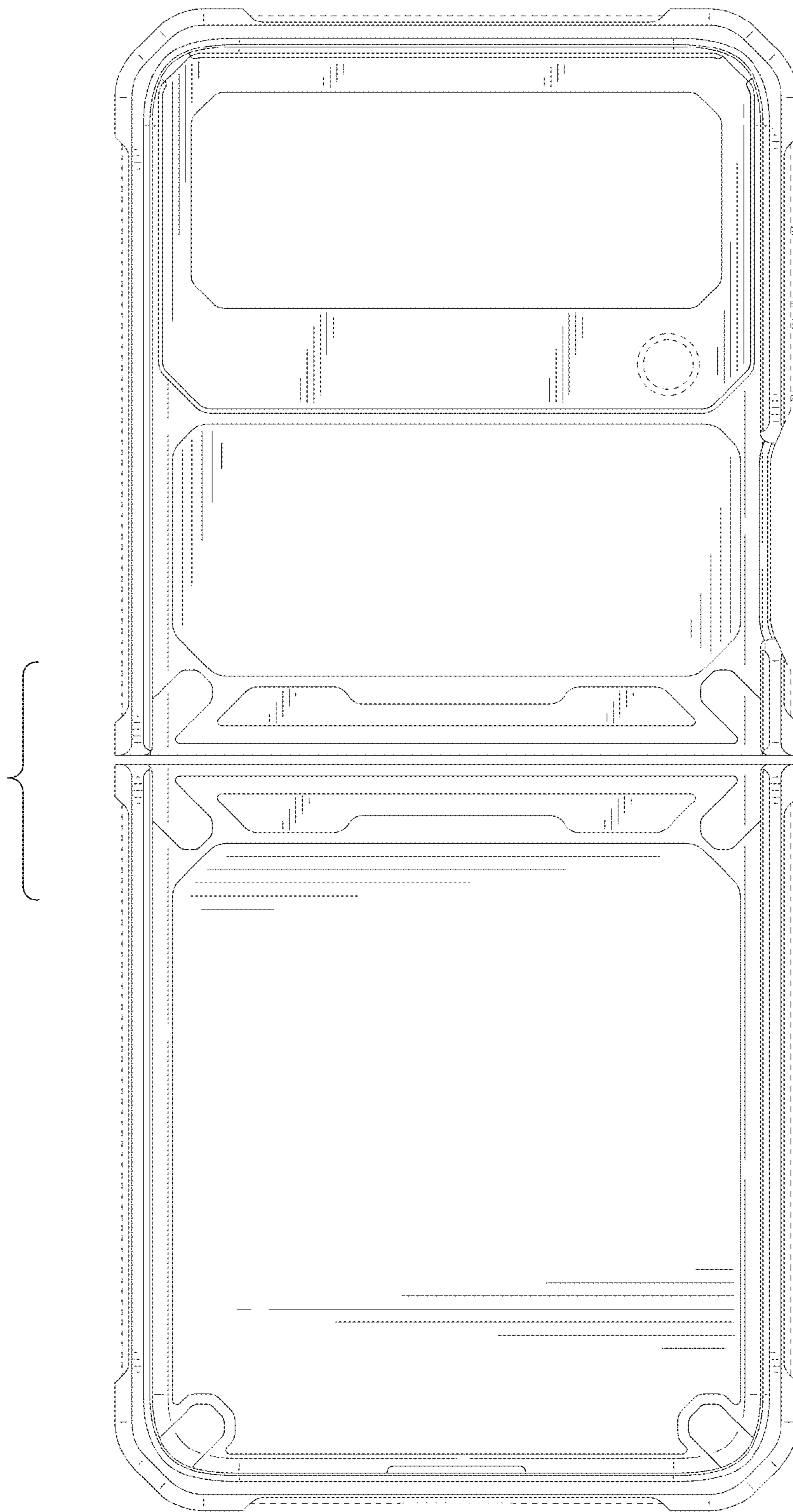


FIG. 1

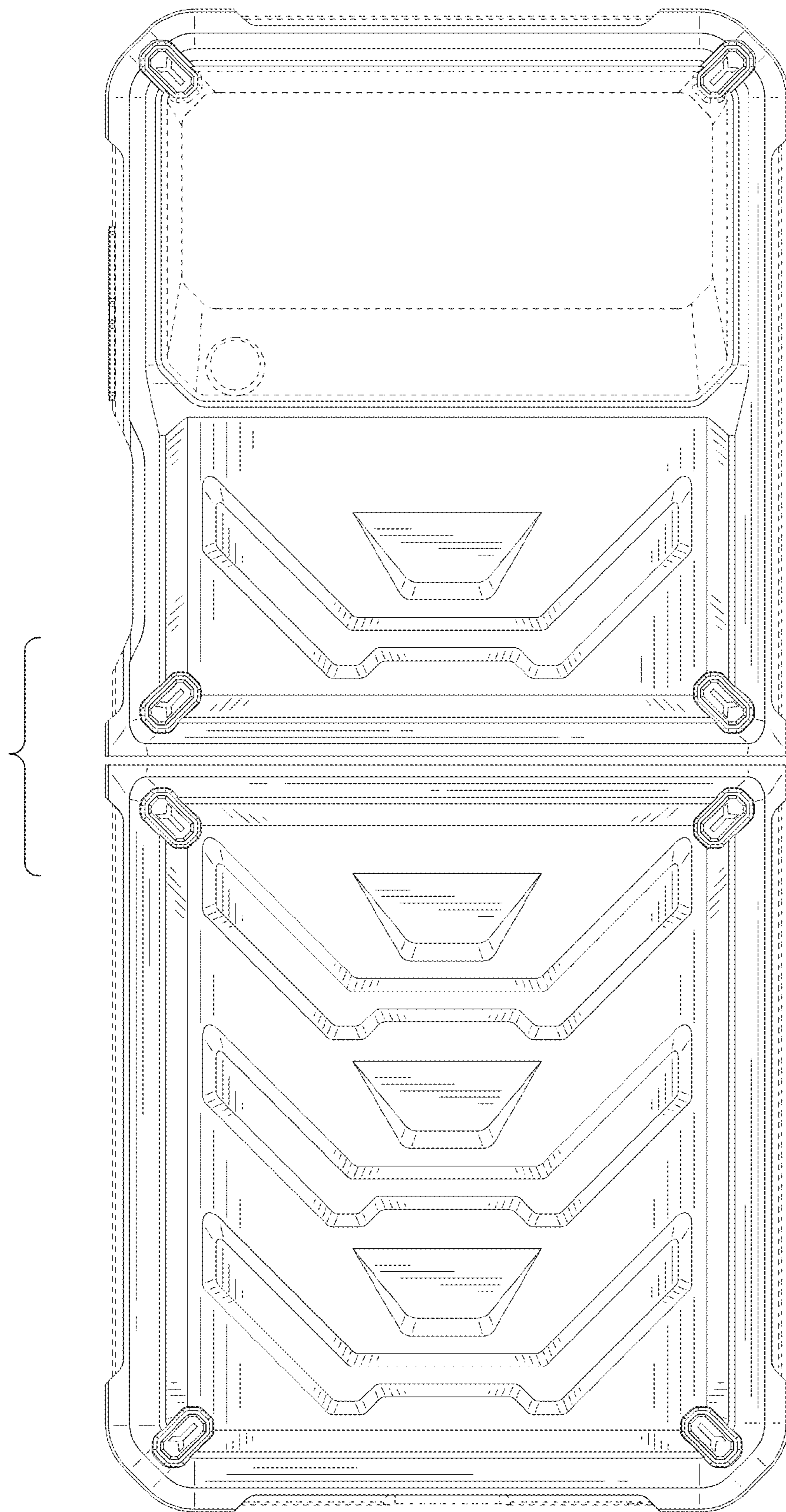


FIG. 2

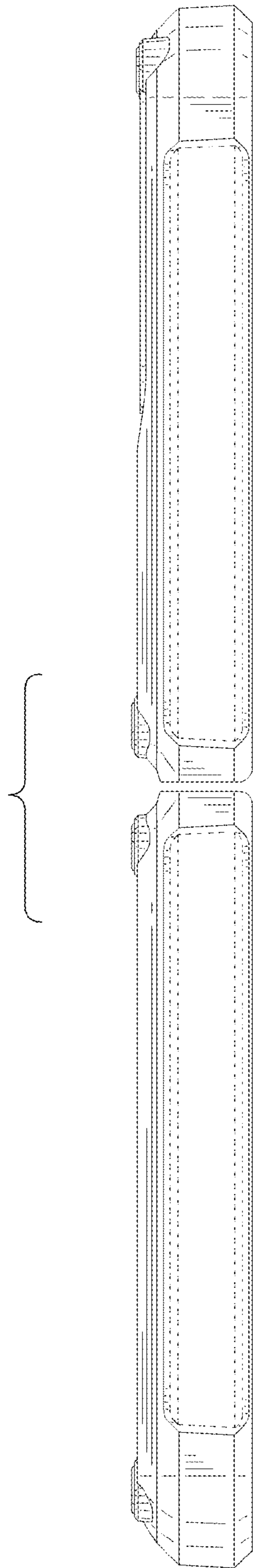


FIG. 3

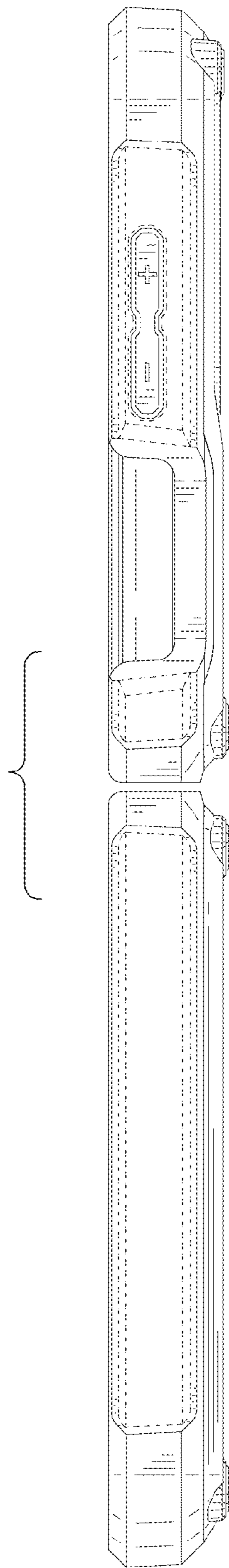


FIG. 4

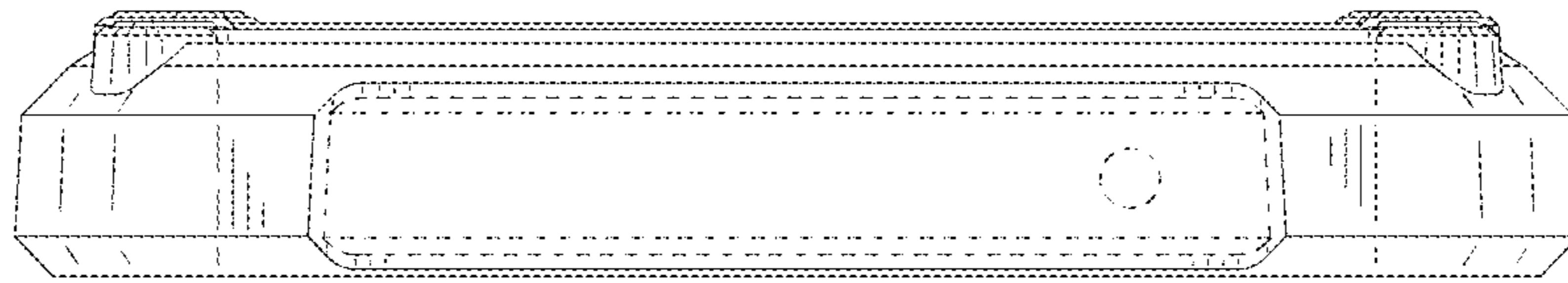


FIG. 5

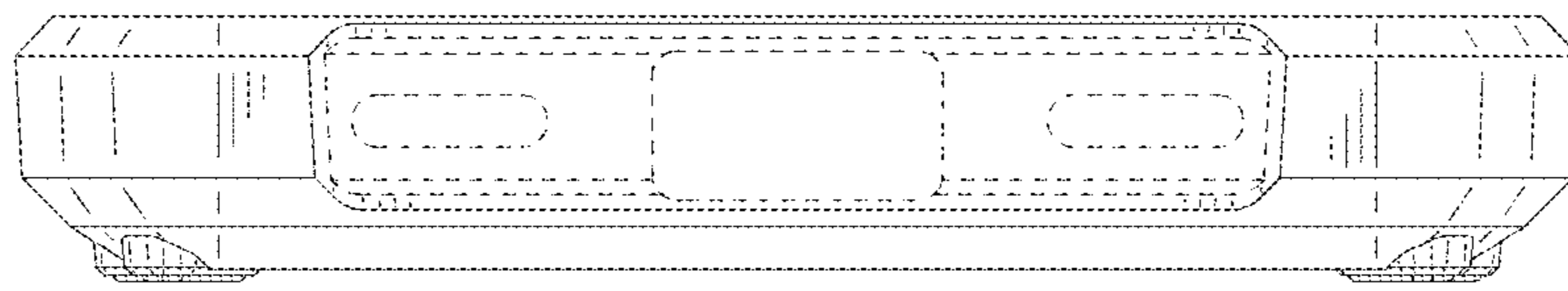


FIG. 6



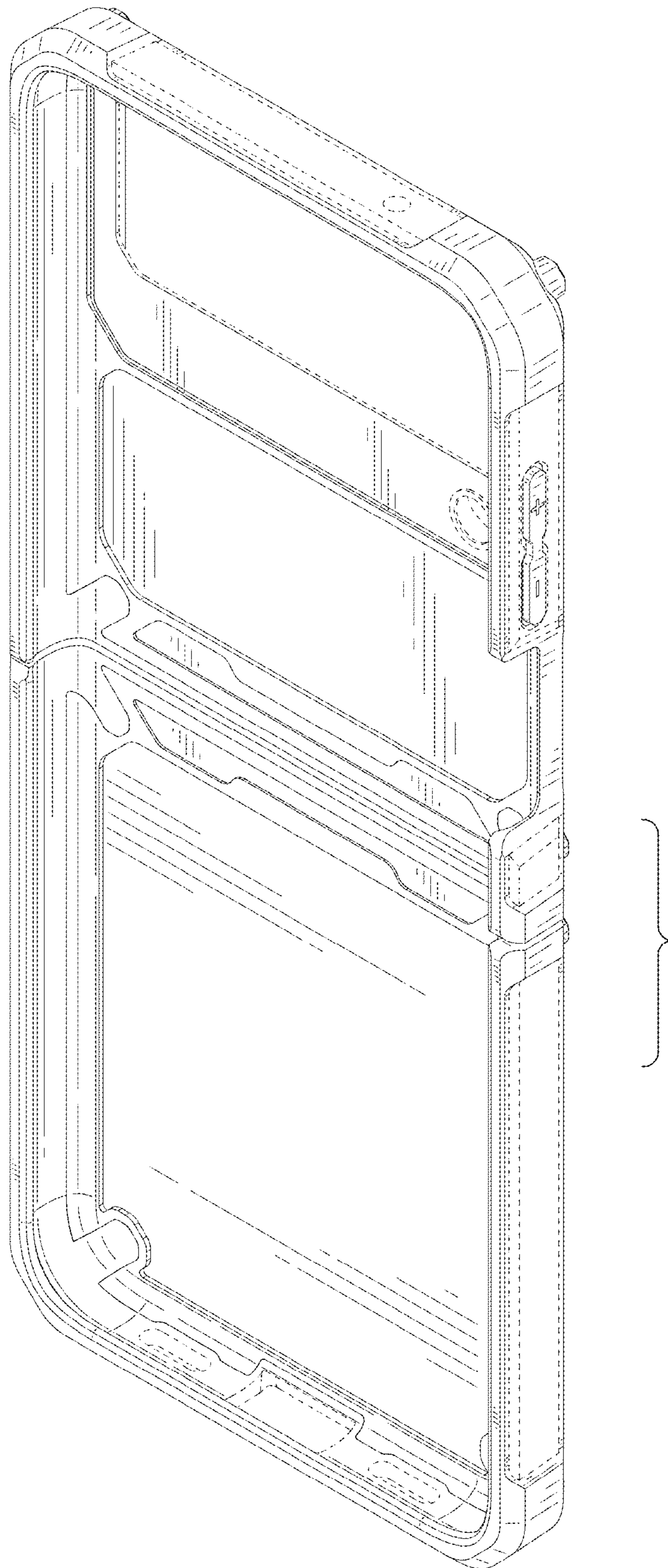


FIG. 7

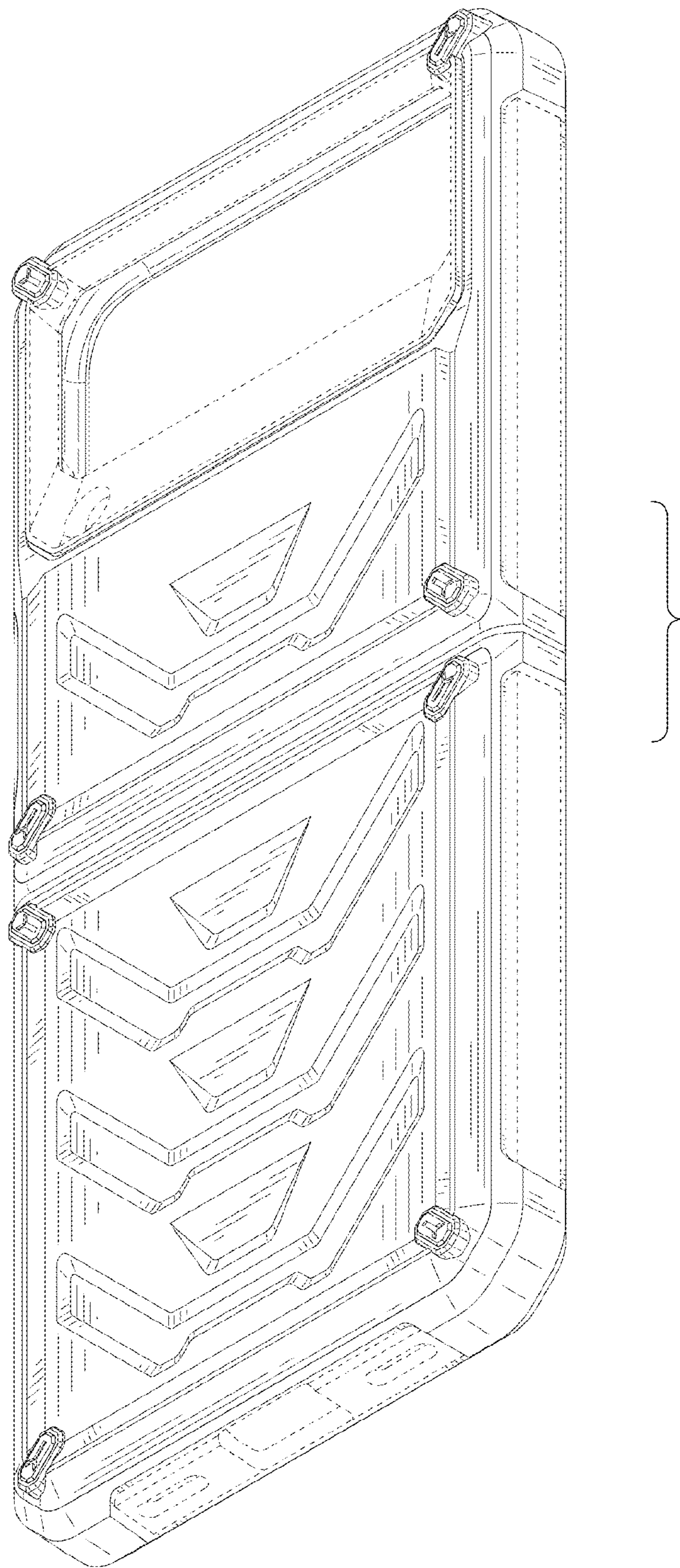


FIG. 8

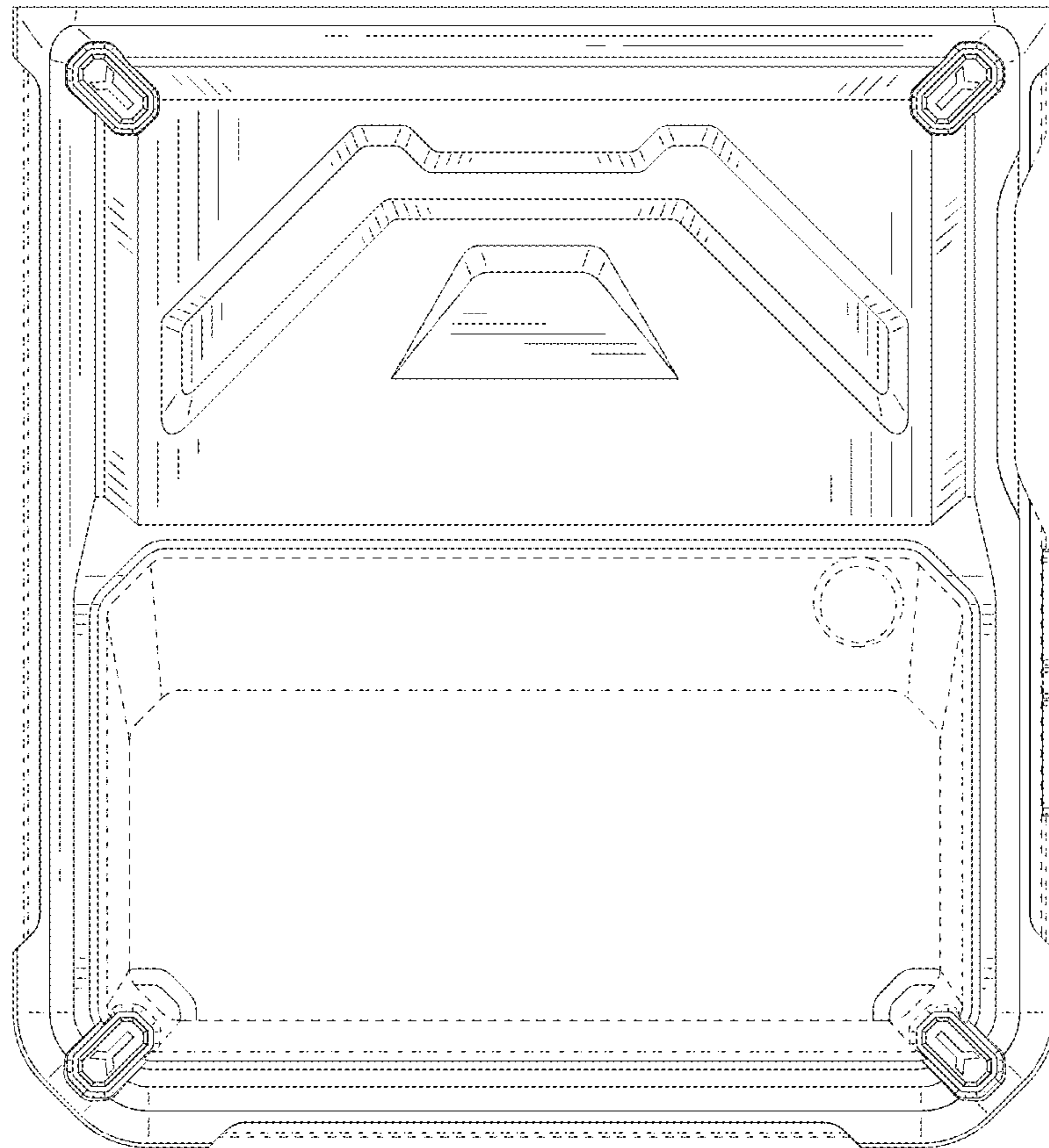


FIG. 9

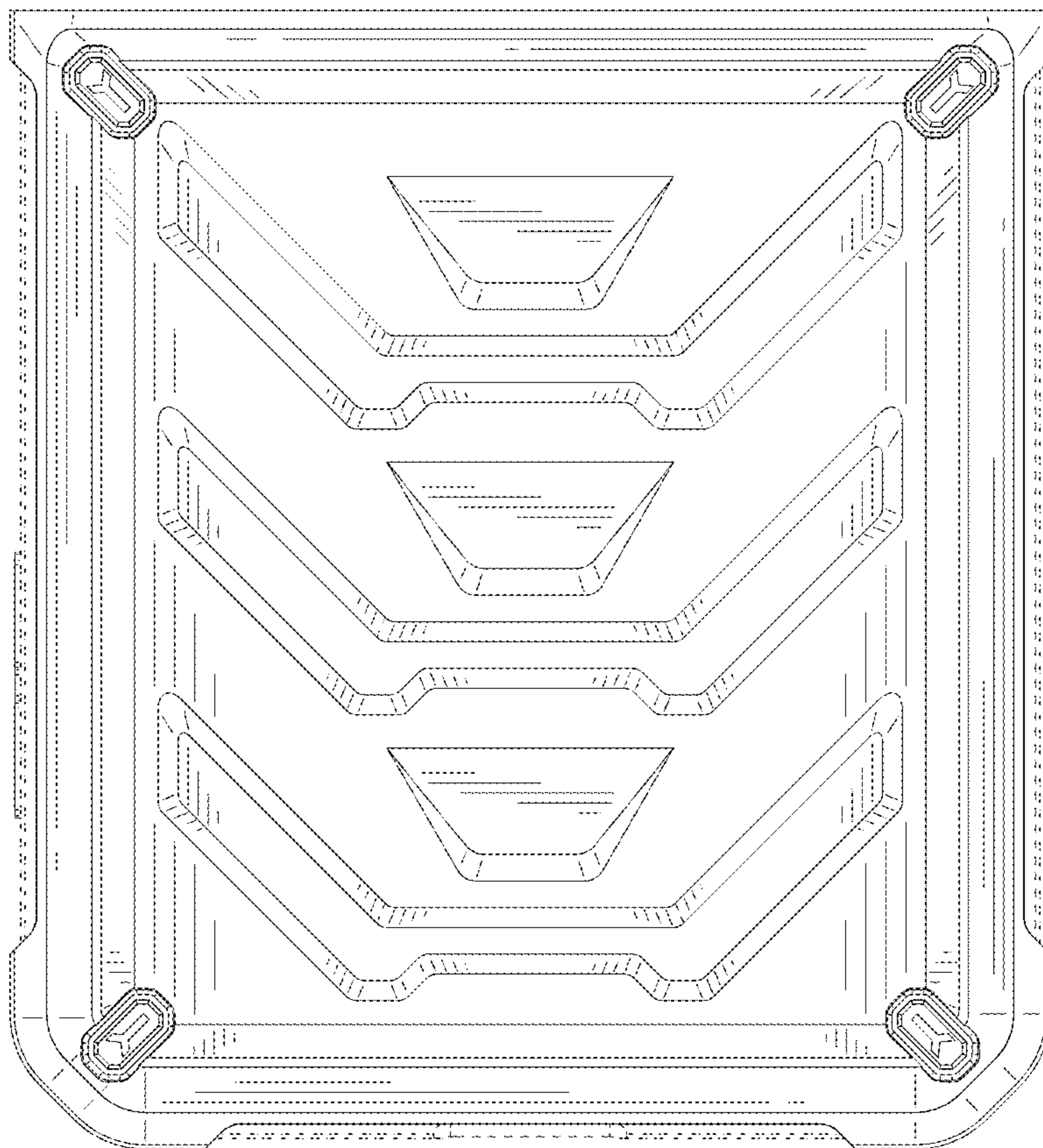


FIG. 10

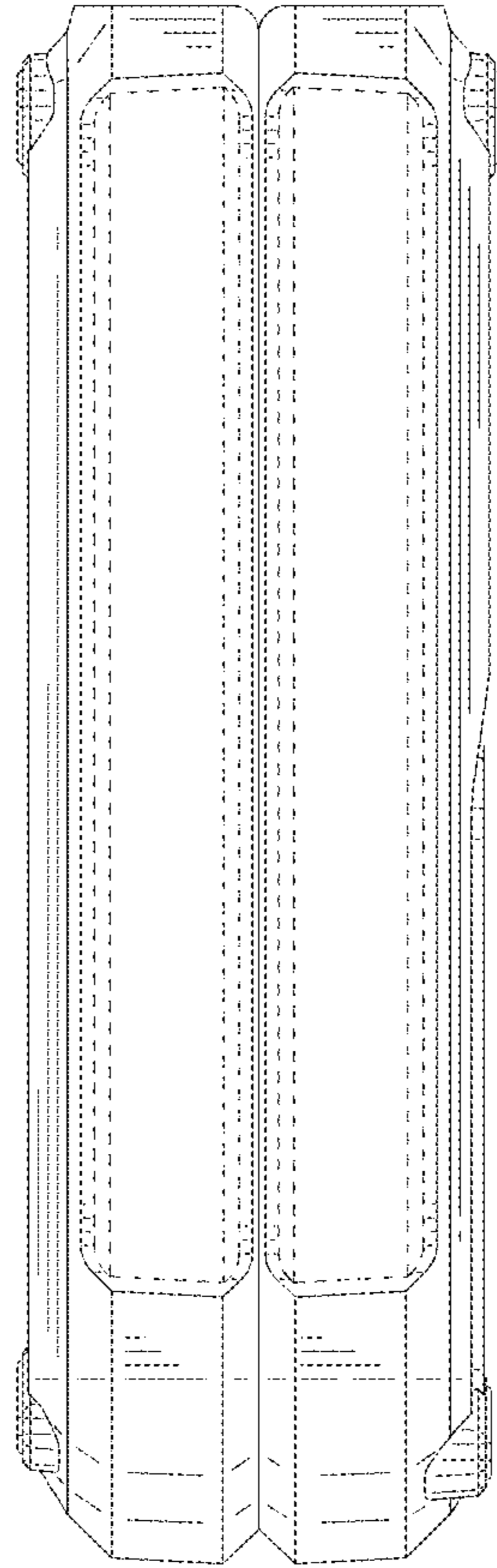


FIG. 11

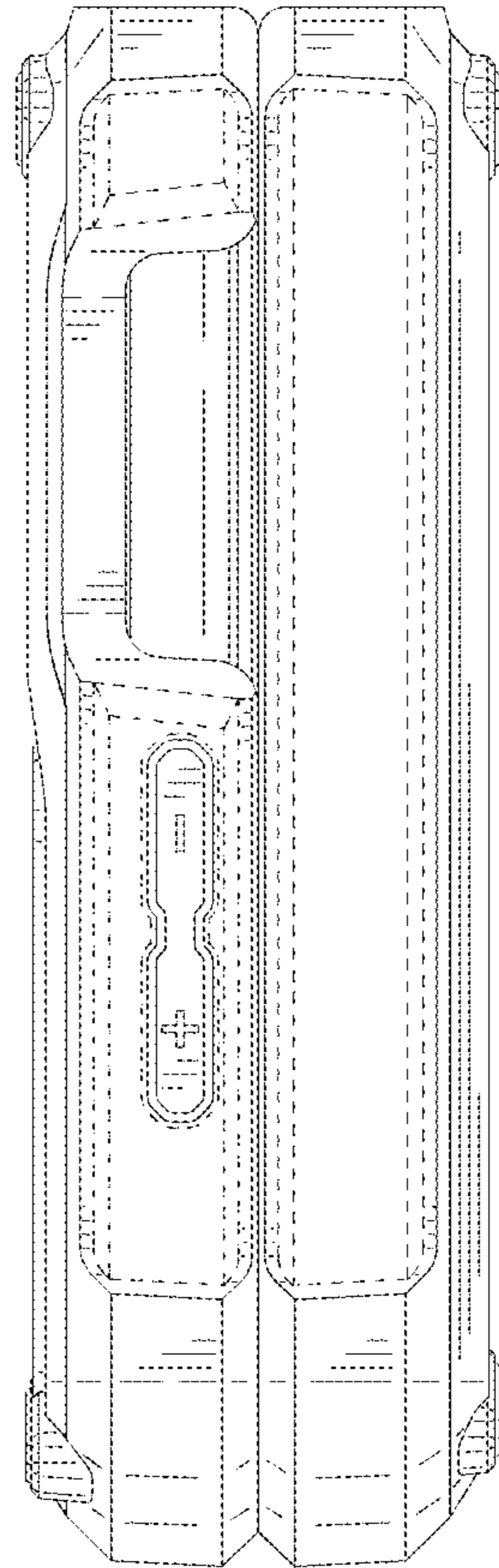


FIG. 12

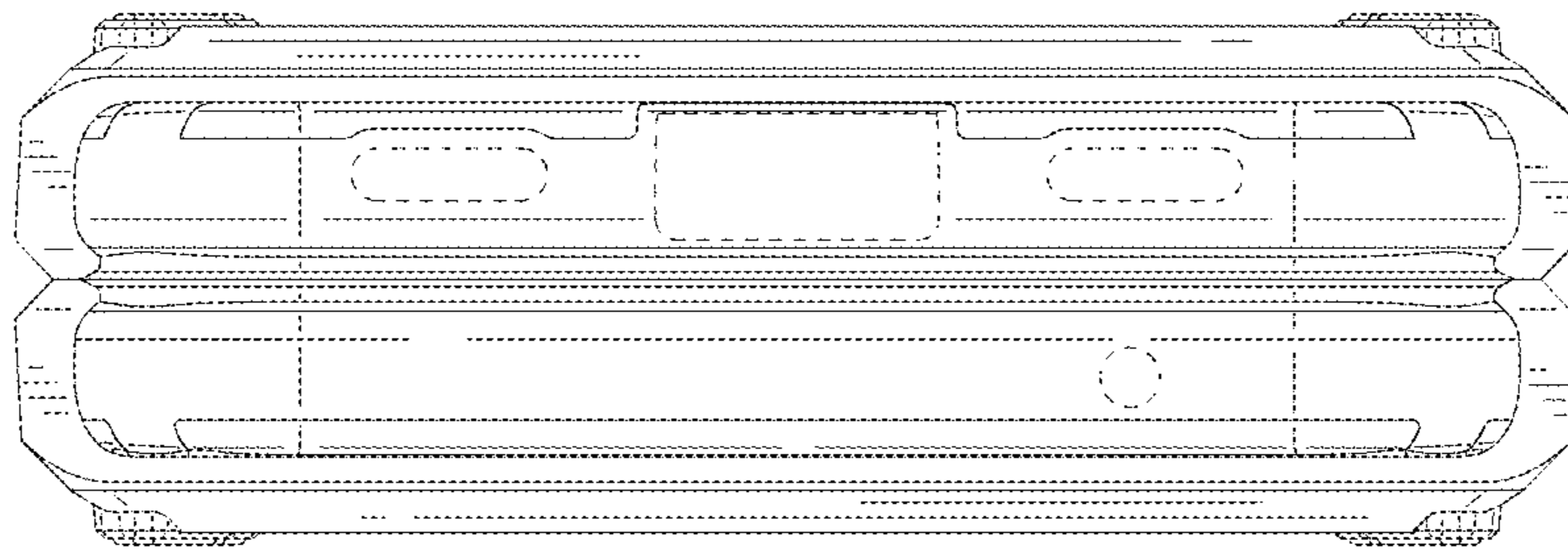


FIG. 13

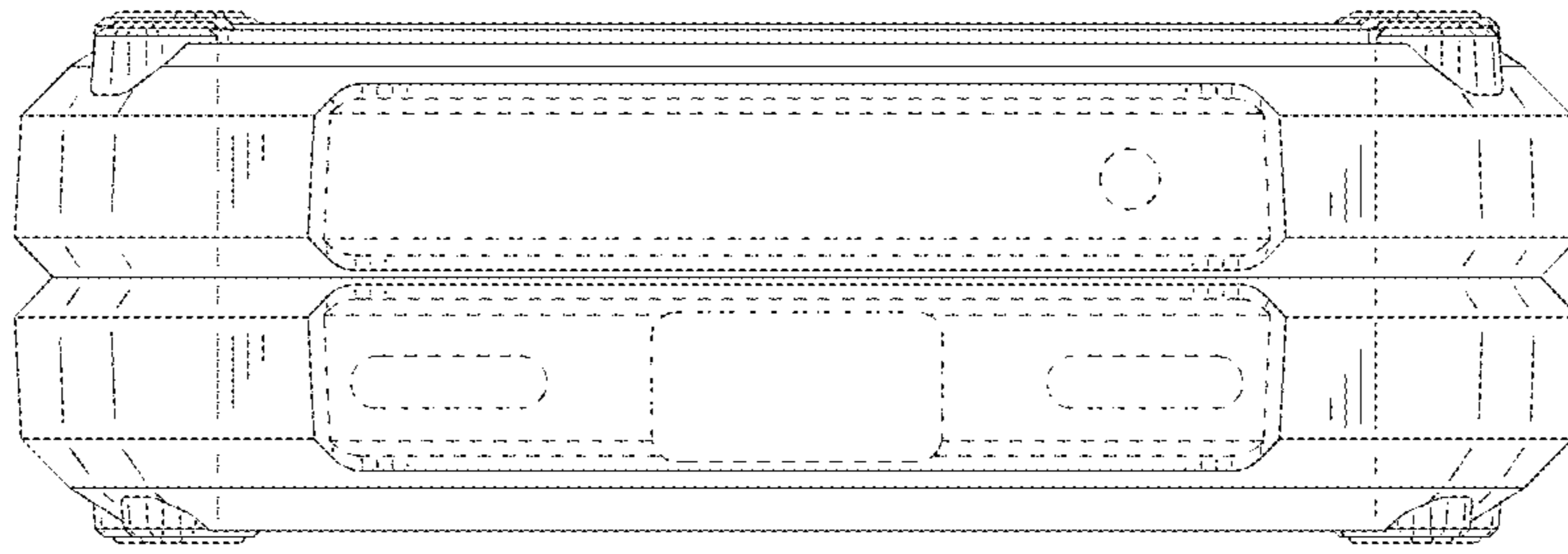


FIG. 14



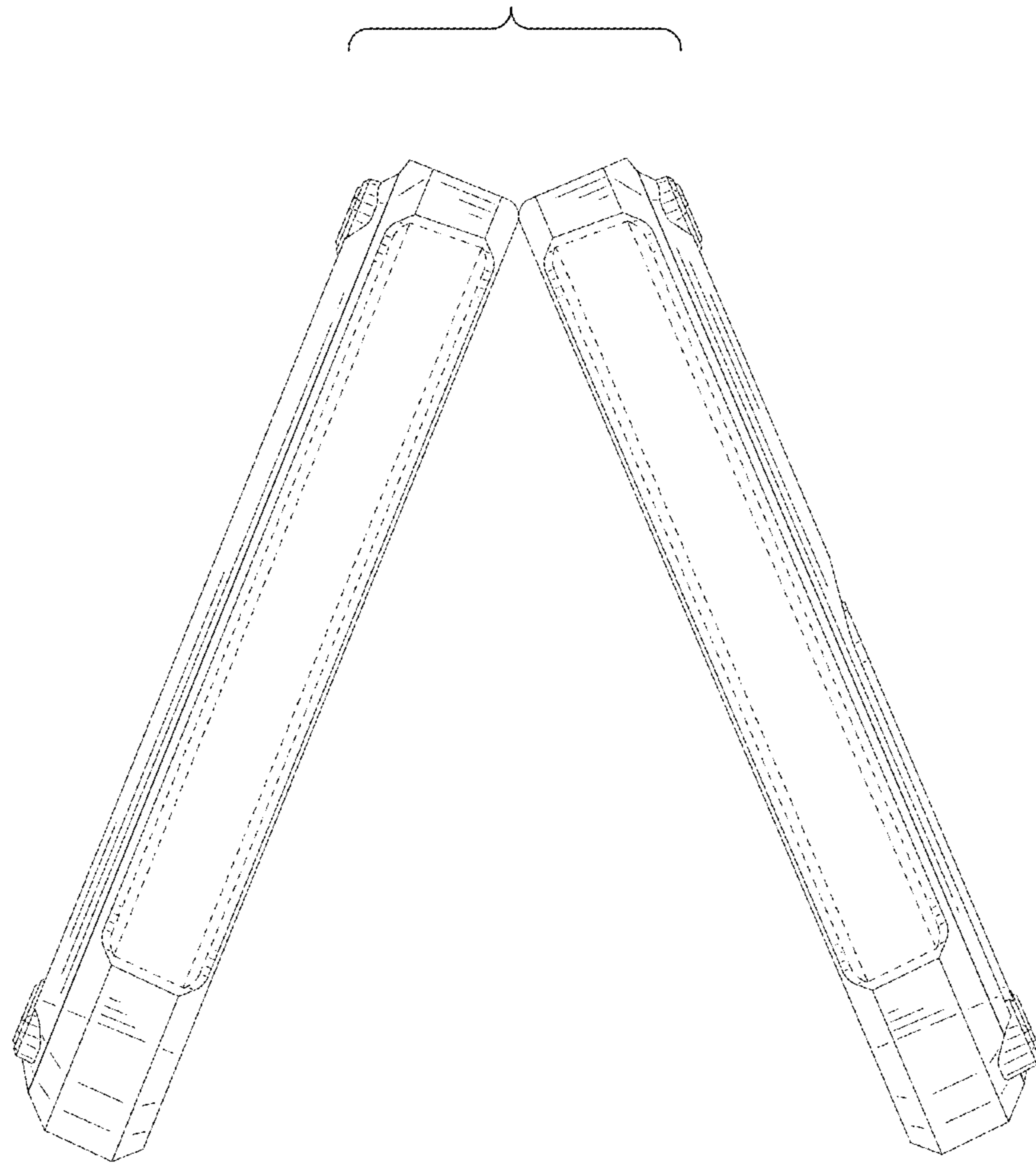


FIG. 15

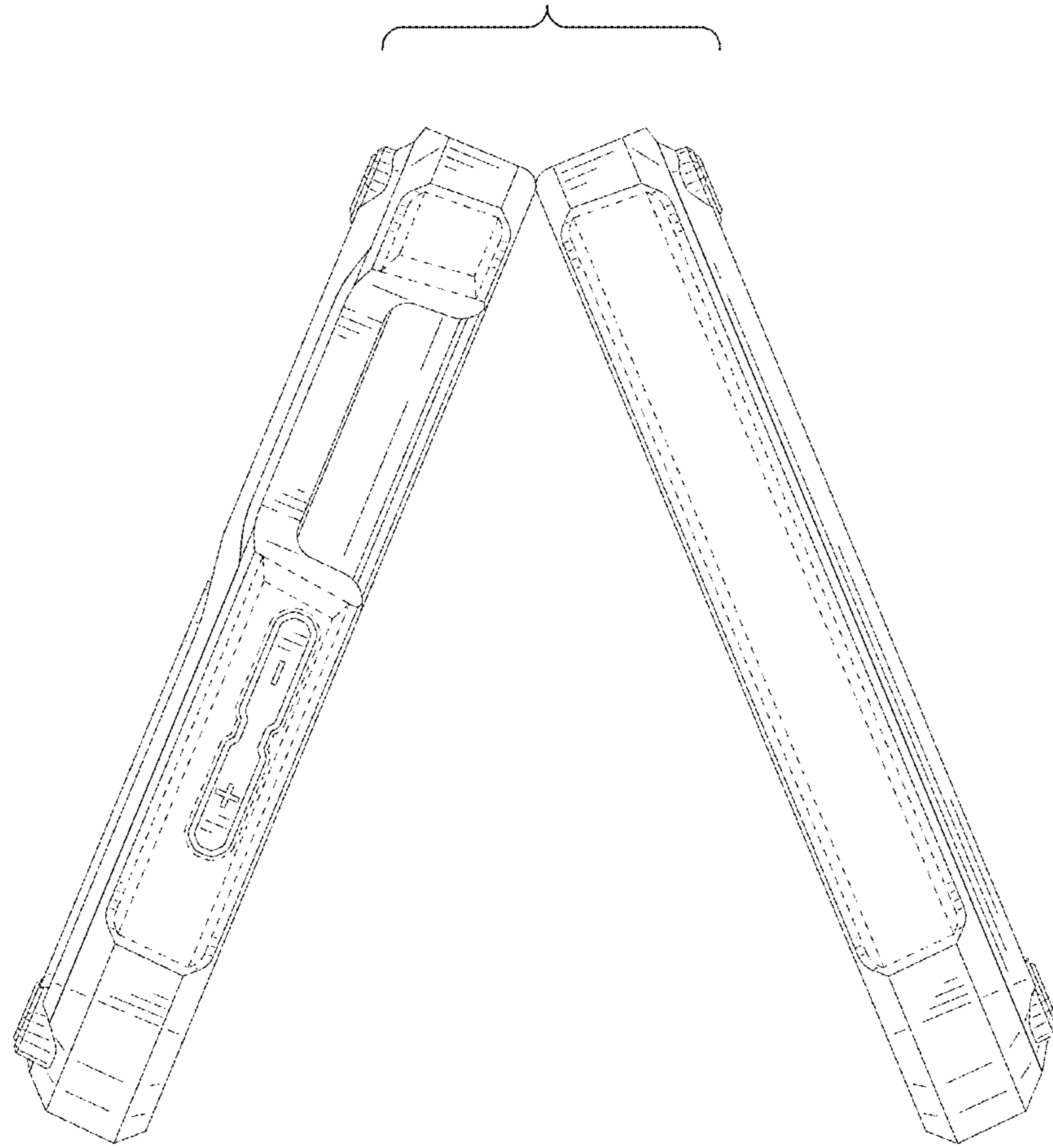


FIG. 16

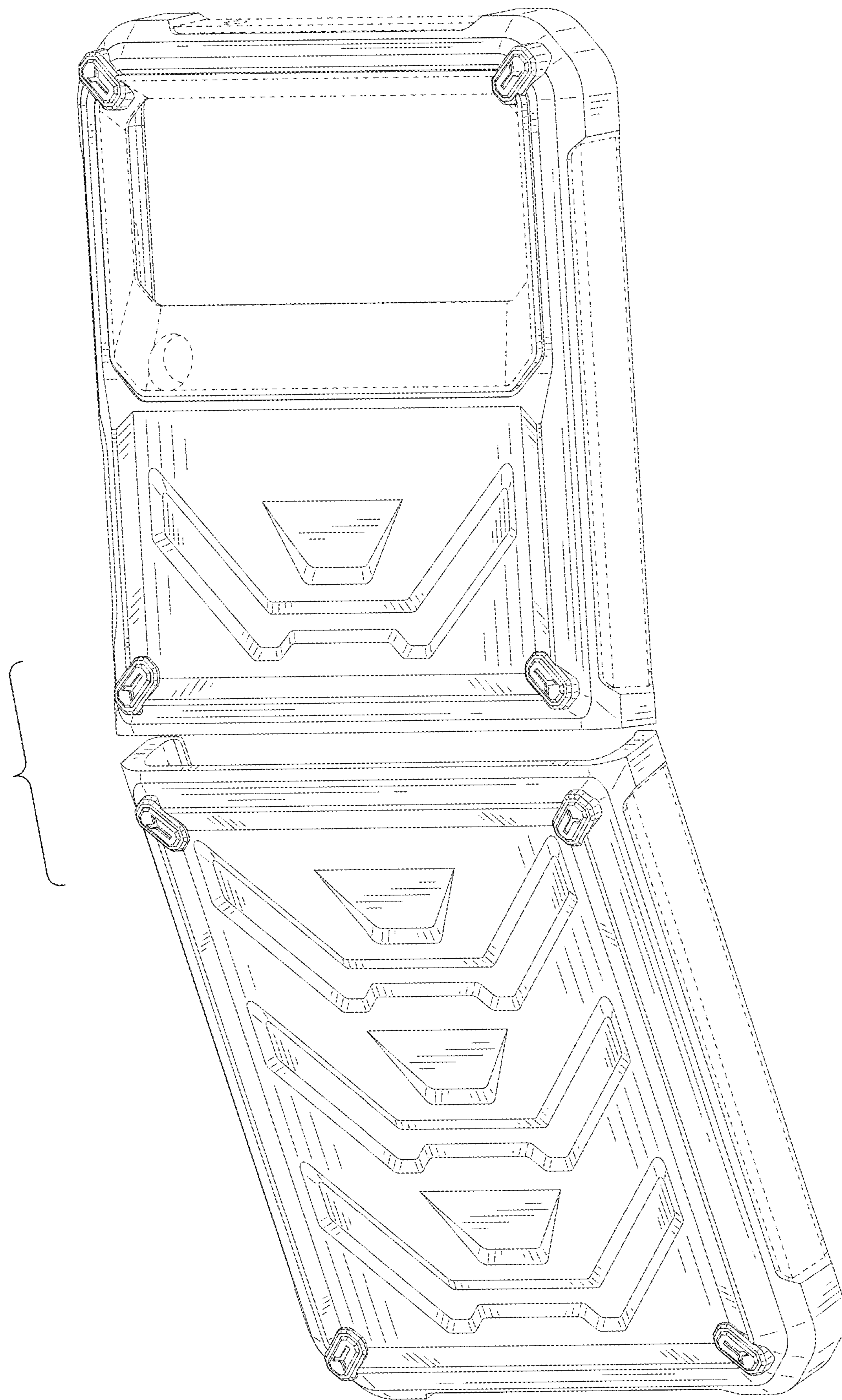


FIG. 17

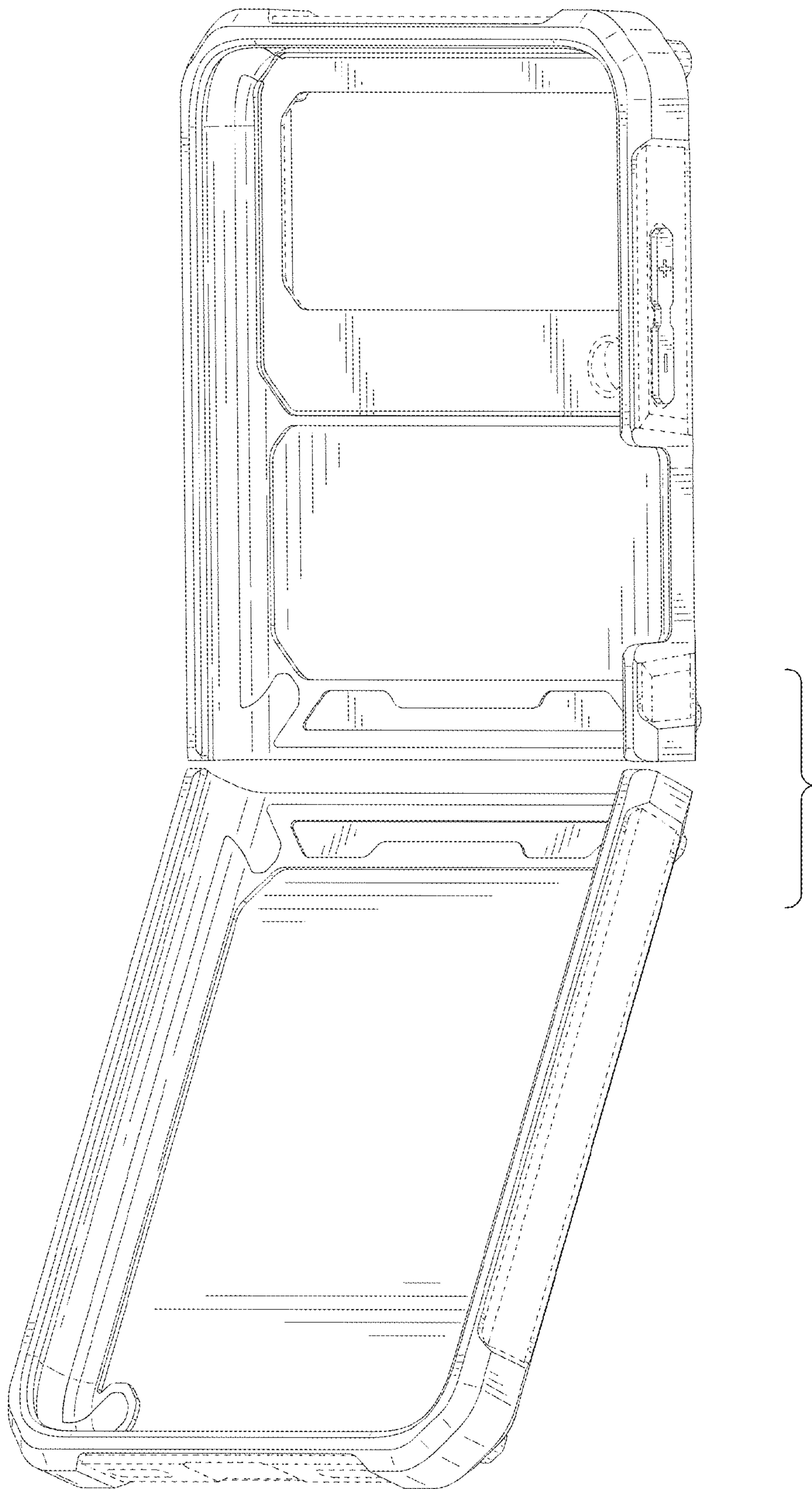


FIG. 18