



US00D970492S

(12) **United States Design Patent**  
**Cheng**

(10) **Patent No.:** **US D970,492 S**

(45) **Date of Patent:** **\*\* Nov. 22, 2022**

(54) **PHONE CASE**

(71) Applicant: **GUANGZHOU HUIYUE TECHNOLOGY DEVELOPMENT CO., LTD.**, Guangzhou (CN)

(72) Inventor: **Ganhua Cheng**, Anqing (CN)

(73) Assignee: **GUANGZHOU HUIYUE TECHNOLOGY DEVELOPMENT CO., LTD.**, Guangzhou (CN)

(\*\*) Term: **15 Years**

(21) Appl. No.: **29/845,012**

(22) Filed: **Jul. 4, 2022**

(30) **Foreign Application Priority Data**

May 31, 2022 (CN) ..... 202230330373.0

(51) **LOC (13) Cl.** ..... **14-03**

(52) **U.S. Cl.**  
USPC ..... **D14/250**

(58) **Field of Classification Search**  
USPC ..... D14/203.3–203.7, 439, 447, 251–253, D14/217, 240, 238.1, 440, 248, 250; D13/103, 107–108, 119; D3/201, 218, D3/247, 249, 269, 273, 301, 303  
CPC ..... A45C 11/00; A45C 2011/002; A45C 1/06; A45C 13/02; A45F 2200/0525; A45F 2005/026; A45F 2200/0516; H04M 1/0283; H04M 1/0202; H04B 1/3888  
See application file for complete search history.

(56) **References Cited**

**U.S. PATENT DOCUMENTS**

D768,612 S 10/2016 Wright et al.  
D791,759 S \* 7/2017 Lin ..... D14/250  
D803,221 S \* 11/2017 Guo ..... D14/440  
D843,364 S \* 3/2019 Sasaki ..... D14/250

D862,446 S \* 10/2019 Jia ..... D14/250  
D868,052 S \* 11/2019 Jia ..... D14/250  
D868,053 S \* 11/2019 Gao ..... D14/250  
D877,136 S \* 3/2020 Lee ..... D14/250  
D879,764 S \* 3/2020 Lee ..... D14/250  
D892,100 S 8/2020 Kim  
D898,016 S \* 10/2020 Liang ..... D14/250  
D905,675 S \* 12/2020 Lee ..... D14/250  
D910,004 S \* 2/2021 Lee ..... D14/250

(Continued)

*Primary Examiner* — Carla J Wright

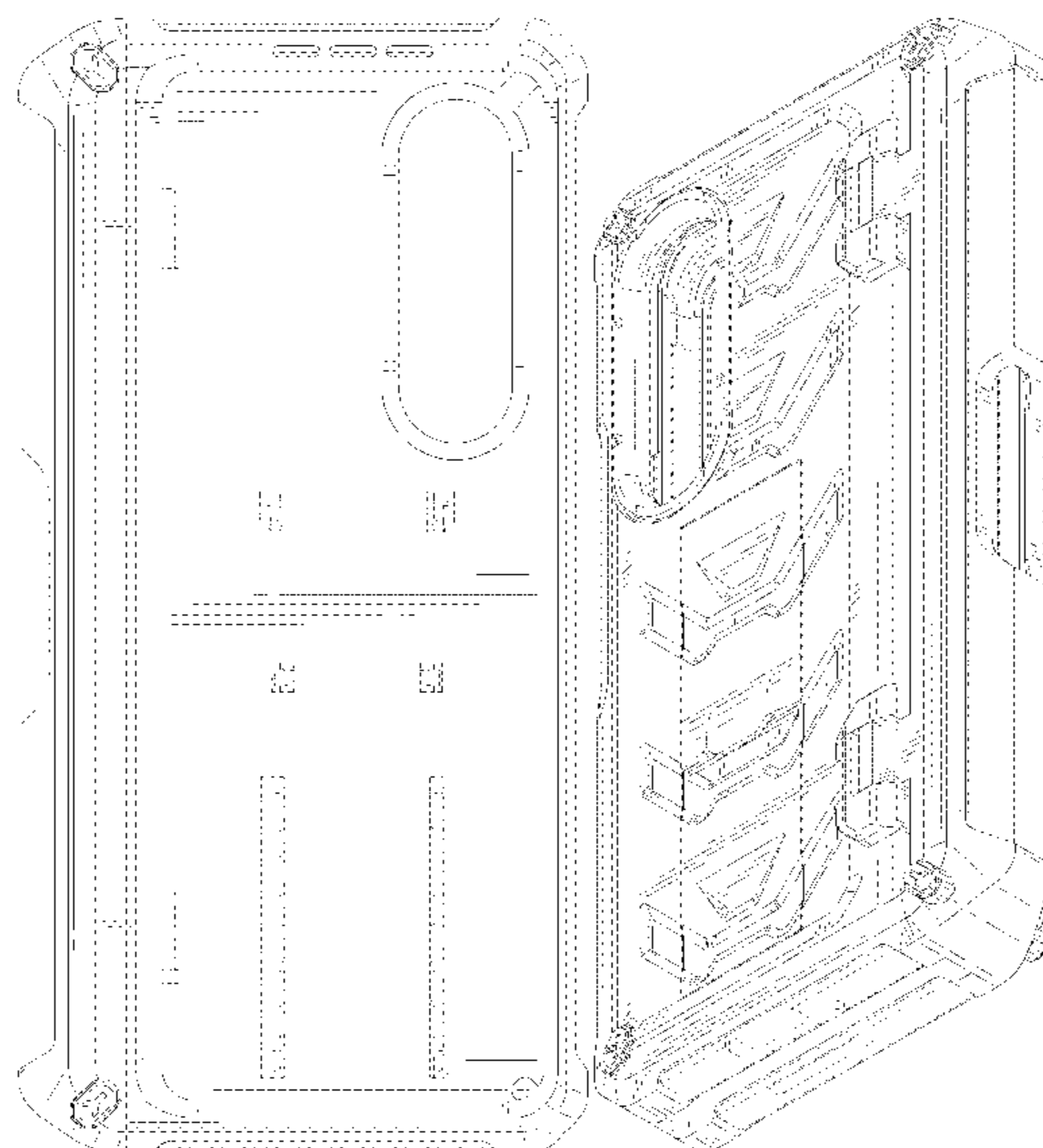
(57) **CLAIM**

The ornamental design for a phone case, as shown and described.

**DESCRIPTION**

FIG. 1 is a front elevational view of a phone case showing my new design;  
FIG. 2 is a rear elevational view thereof;  
FIG. 3 is a left side elevational view thereof;  
FIG. 4 is a right side elevational view thereof;  
FIG. 5 is a top plan view thereof;  
FIG. 6 is a bottom plan view thereof;  
FIG. 7 is a perspective view thereof;  
FIG. 8 is another perspective view thereof;  
FIG. 9 is a front elevational view of the phone case where the phone case is in a fully open state;  
FIG. 10 is a rear elevational view thereof;  
FIG. 11 is a left side elevational view thereof;  
FIG. 12 is a right side elevational view thereof;  
FIG. 13 is a top plan view thereof;  
FIG. 14 is a bottom plan view thereof;  
FIG. 15 is a perspective view thereof;  
FIG. 16 is a perspective view of the phone case where the phone case is in a first configuration of use; and,  
FIG. 17 is a perspective view of the phone case where the phone case is in a second configuration of use.  
The broken lines in the drawings depict portions of the phone case that form no part of the claimed design.

**1 Claim, 17 Drawing Sheets**



(56)

**References Cited**

U.S. PATENT DOCUMENTS

D913,969 S \* 3/2021 Lin ..... D14/440  
D931,846 S \* 9/2021 Lee ..... D14/250  
11,116,300 B2 \* 9/2021 Mody ..... A45C 13/007  
11,121,735 B2 \* 9/2021 Kim ..... H04M 1/185  
D934,226 S \* 10/2021 Zhang ..... D14/250  
D937,250 S \* 11/2021 Jakobuco ..... D14/250  
D941,282 S \* 1/2022 Bai ..... D14/250  
D945,988 S \* 3/2022 Armstrong ..... D14/250  
D947,166 S \* 3/2022 Mi ..... D14/250  
D949,840 S \* 4/2022 Ling ..... D14/250  
D961,574 S \* 8/2022 Gao ..... D14/253  
2019/0068230 A1 \* 2/2019 Sasaki ..... H04B 1/3888  
2020/0174522 A1 \* 6/2020 Lim ..... G06F 1/1652

\* cited by examiner

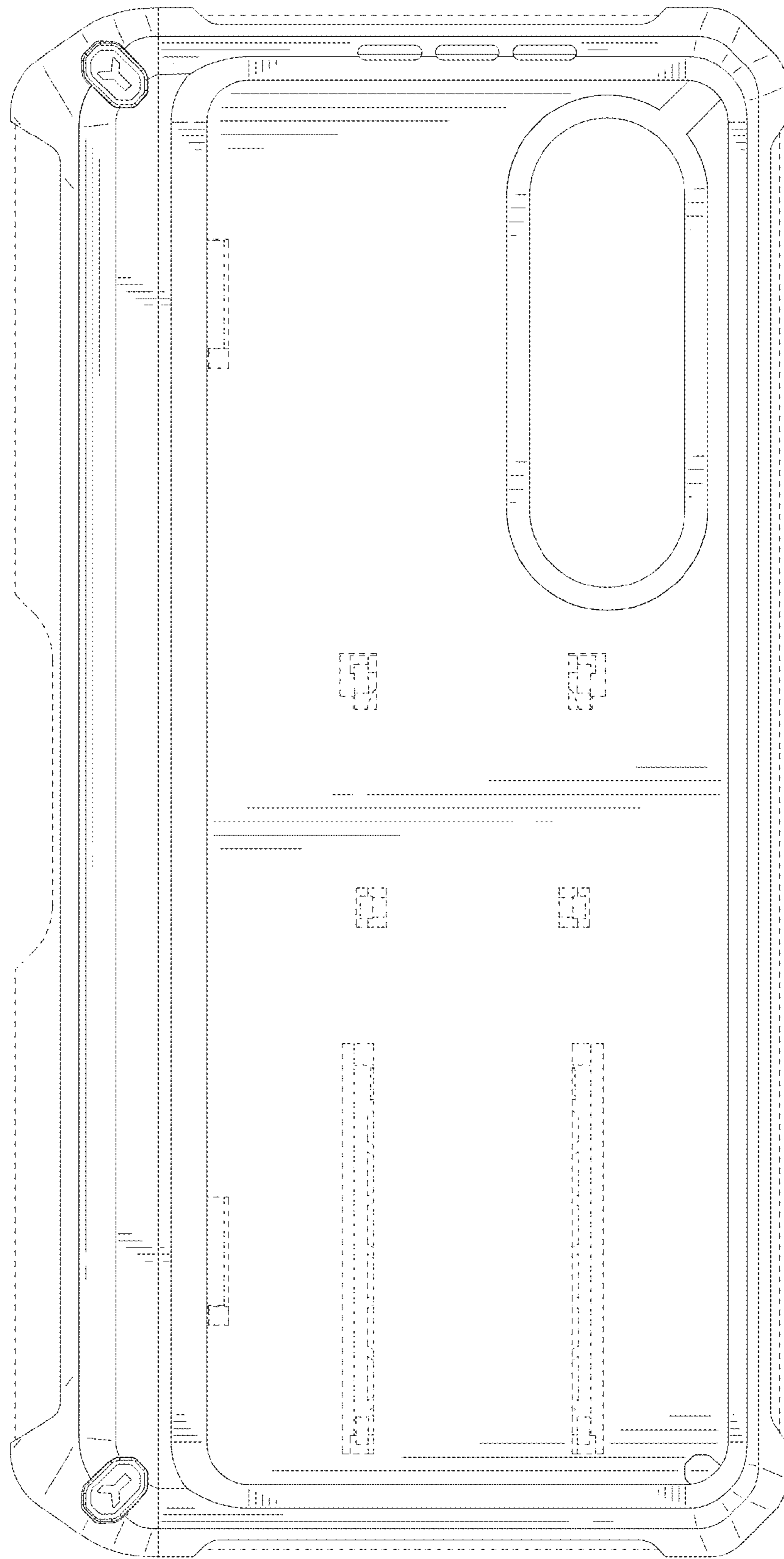


FIG. 1



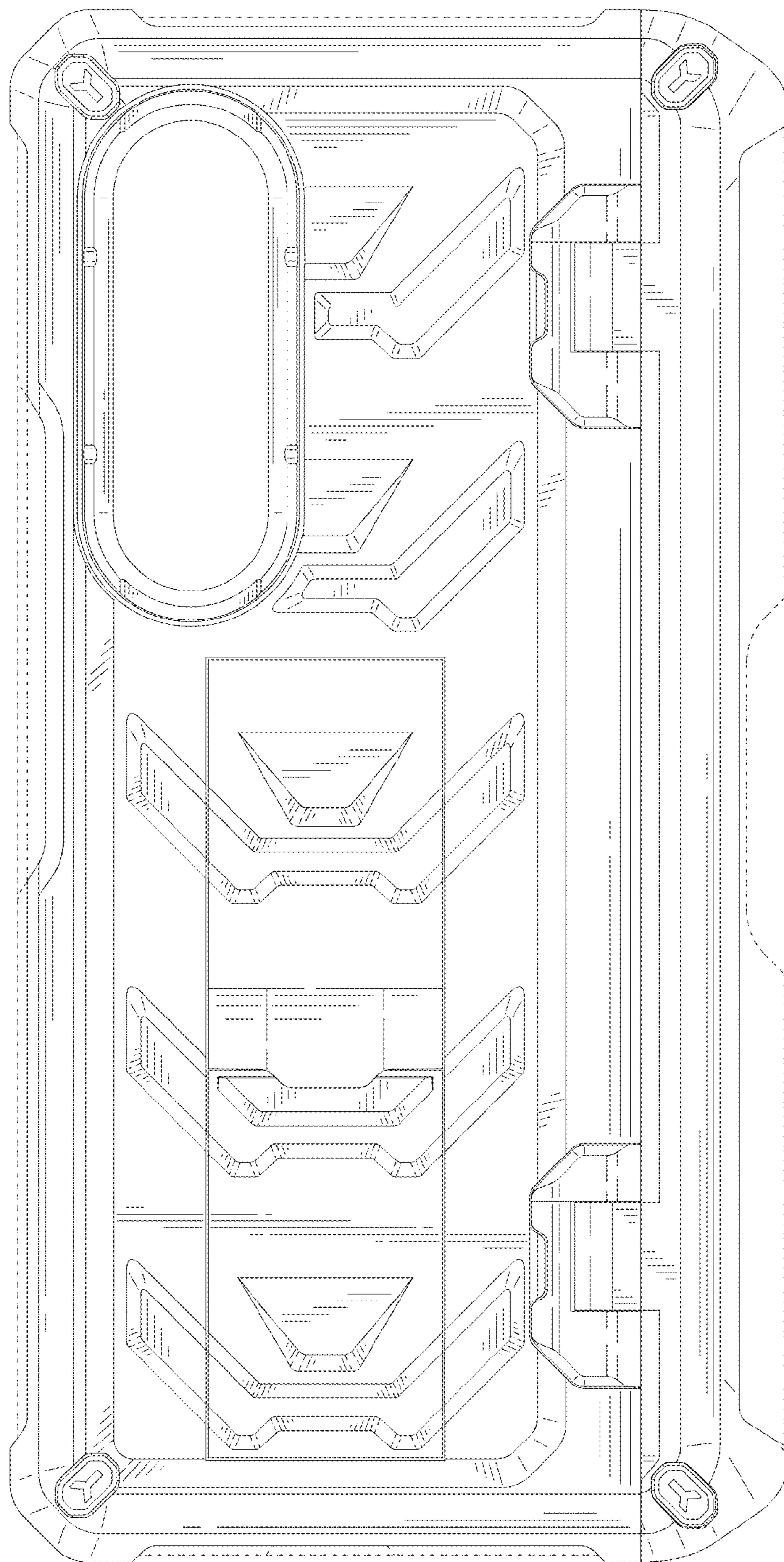


FIG. 2

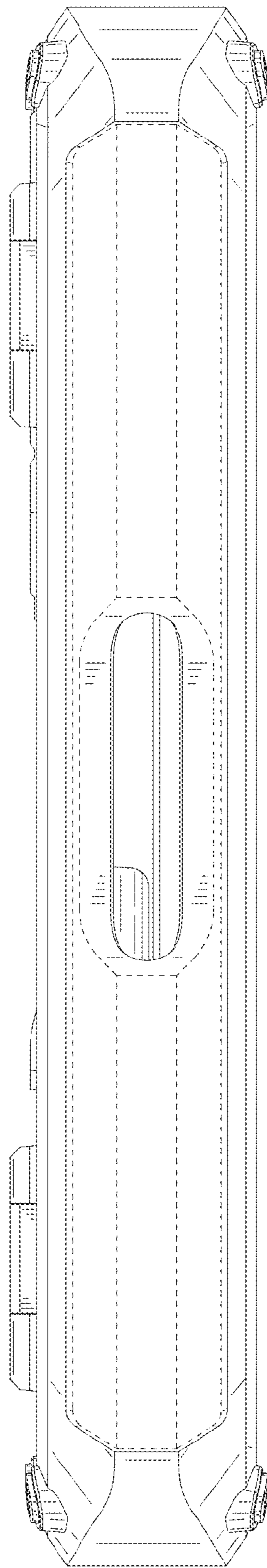


FIG. 3

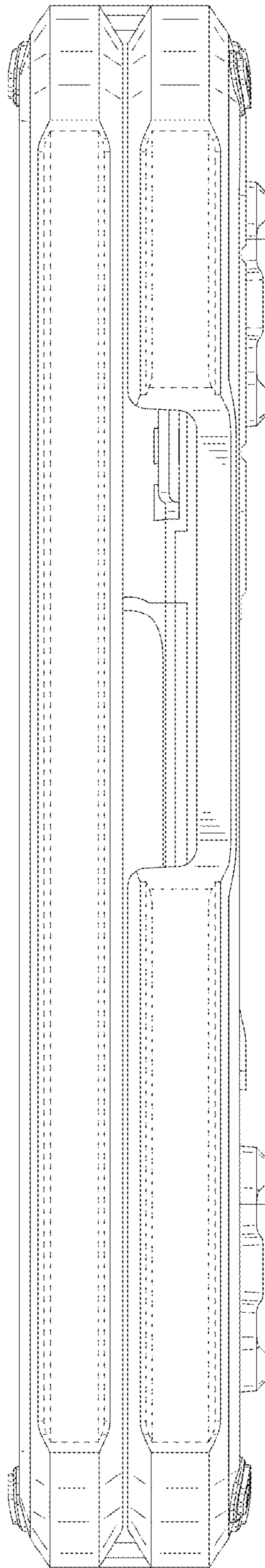


FIG. 4

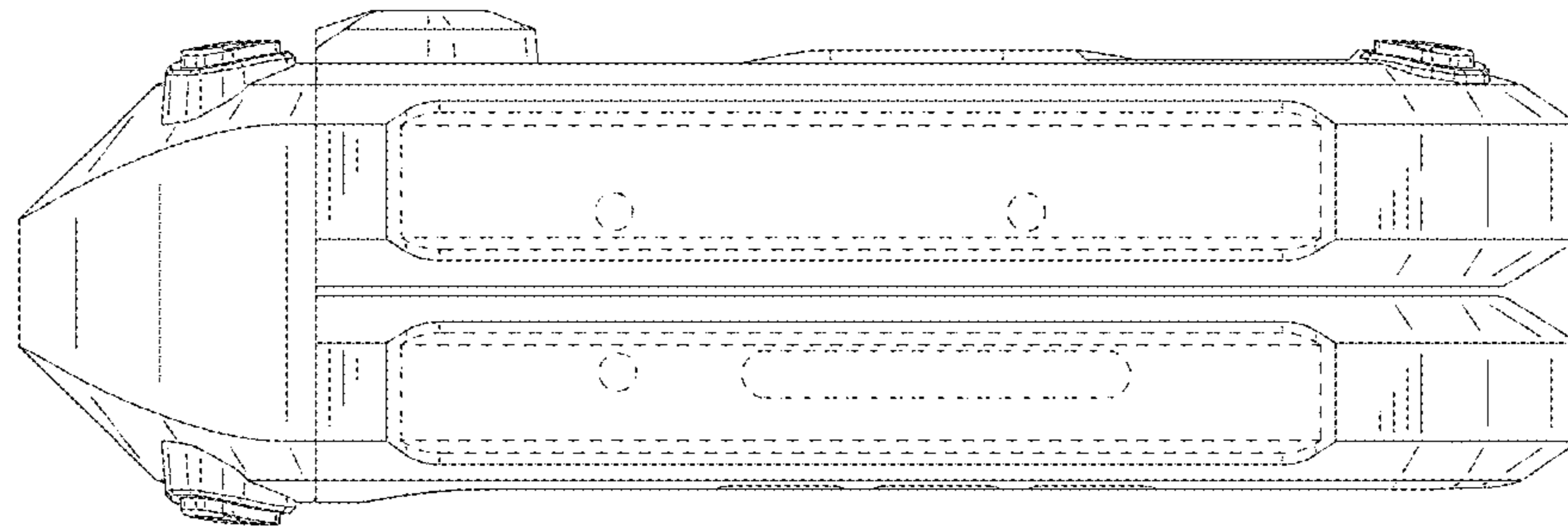


FIG. 5

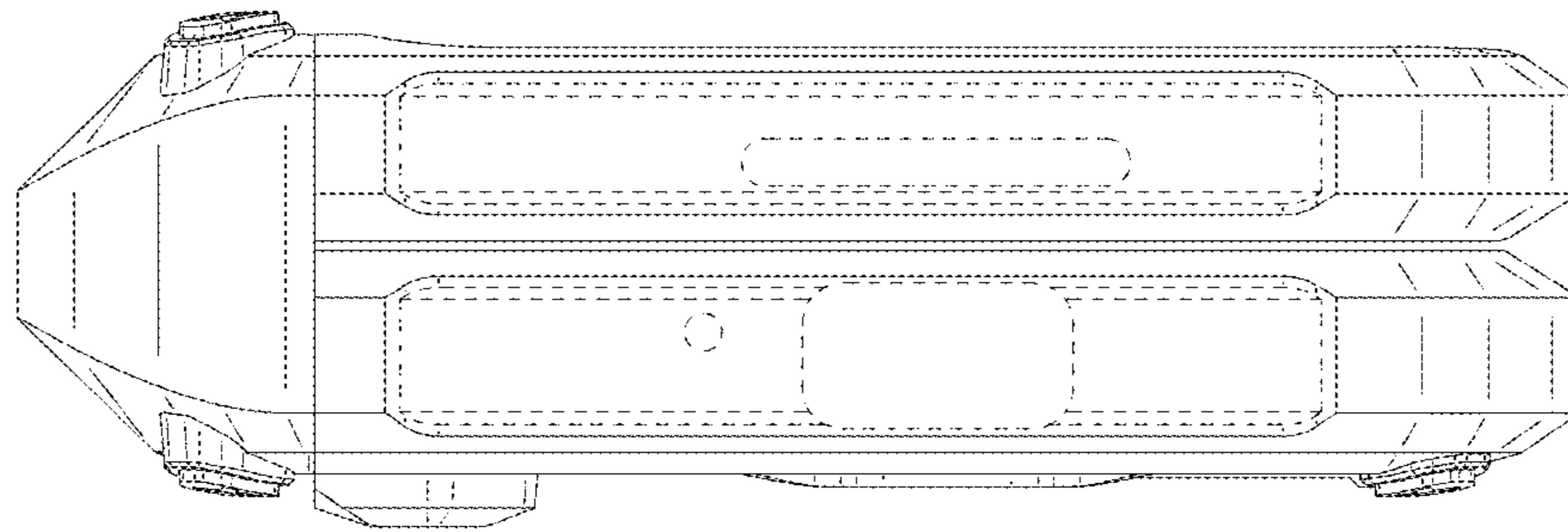


FIG. 6



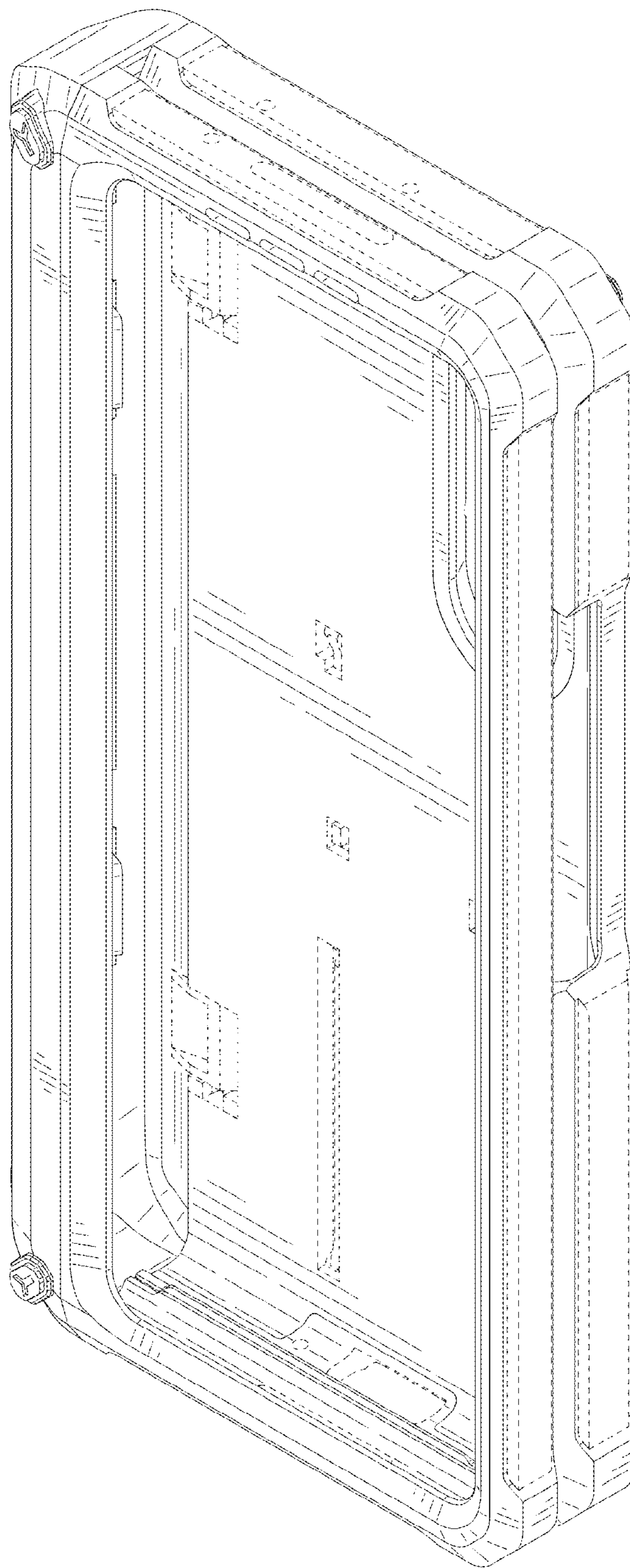


FIG. 7

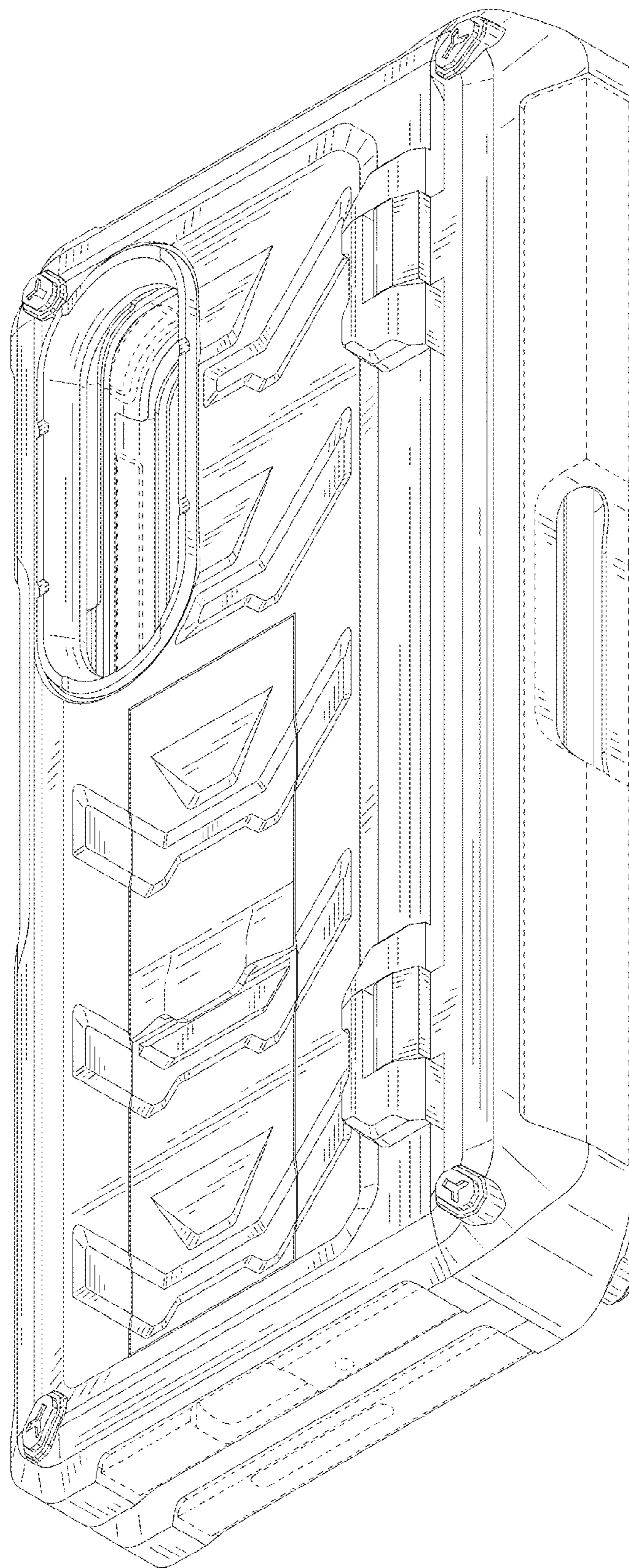


FIG. 8

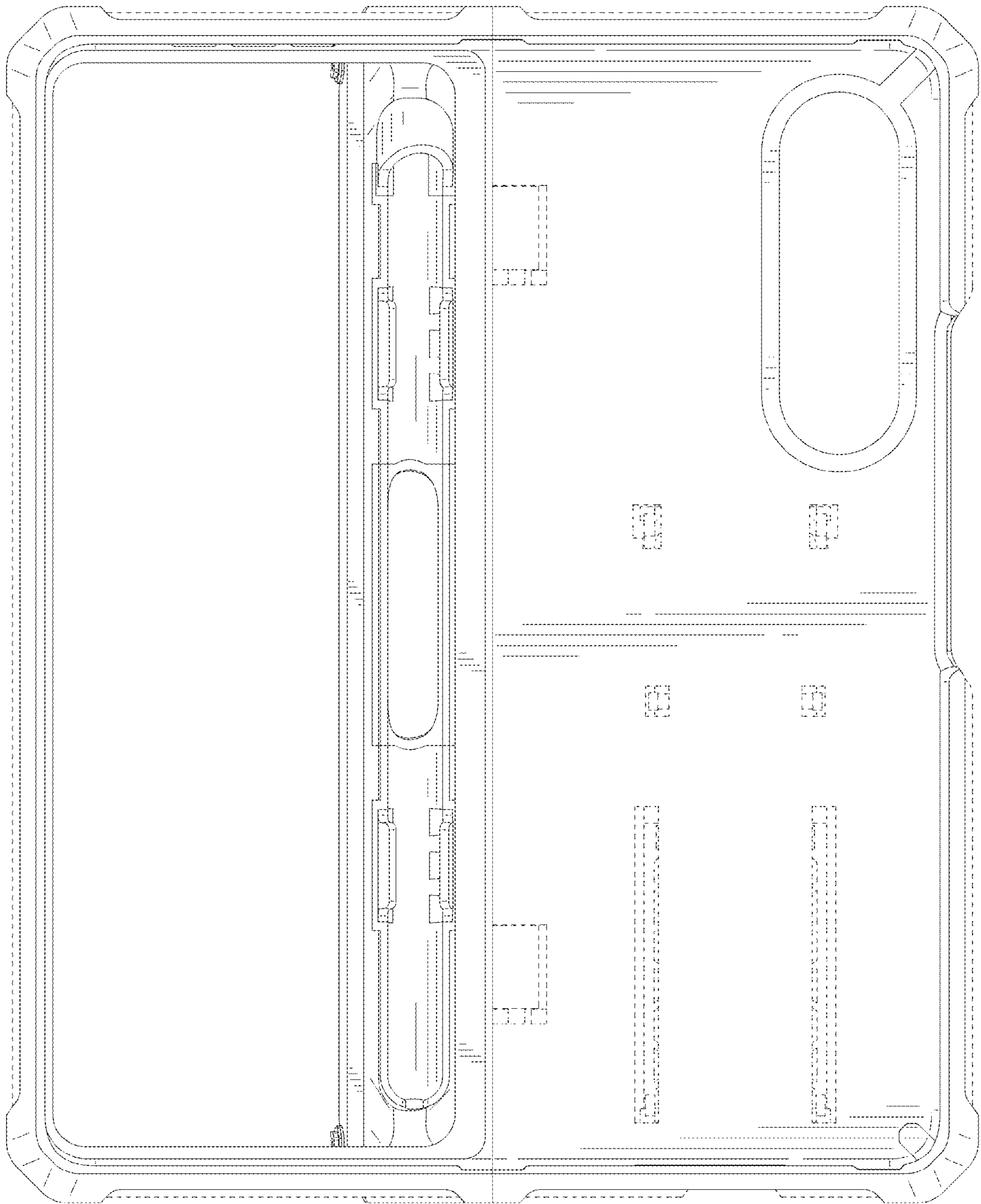


FIG. 9



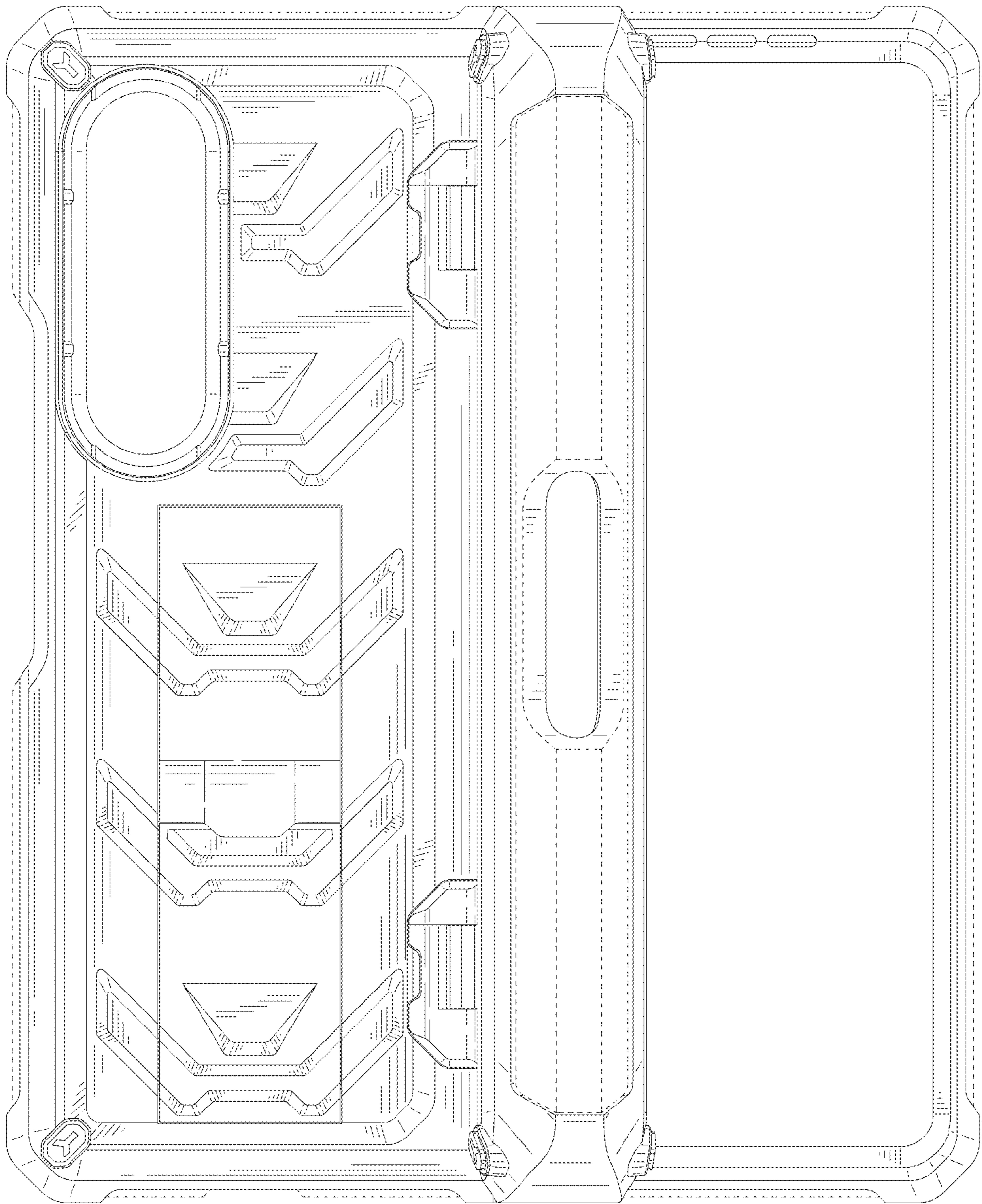


FIG. 10

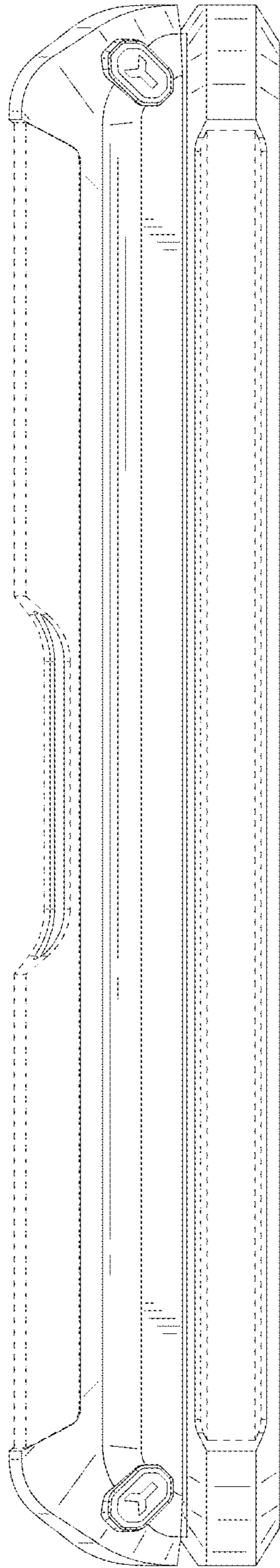


FIG. 11



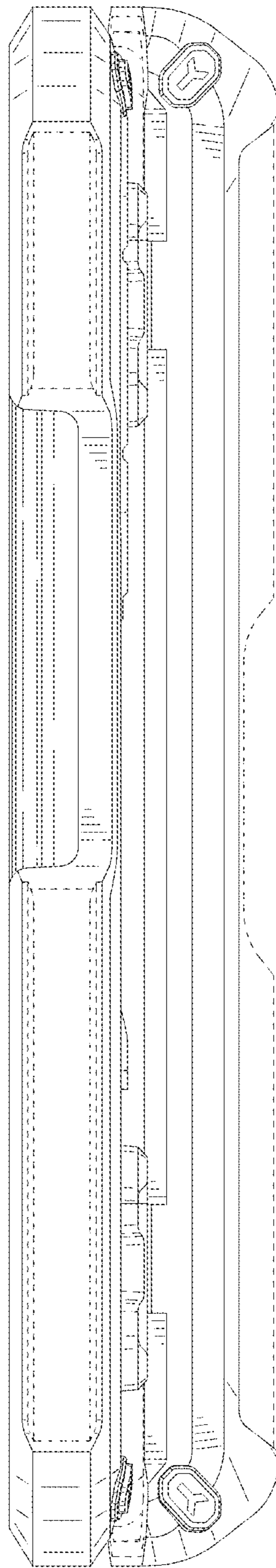


FIG. 12

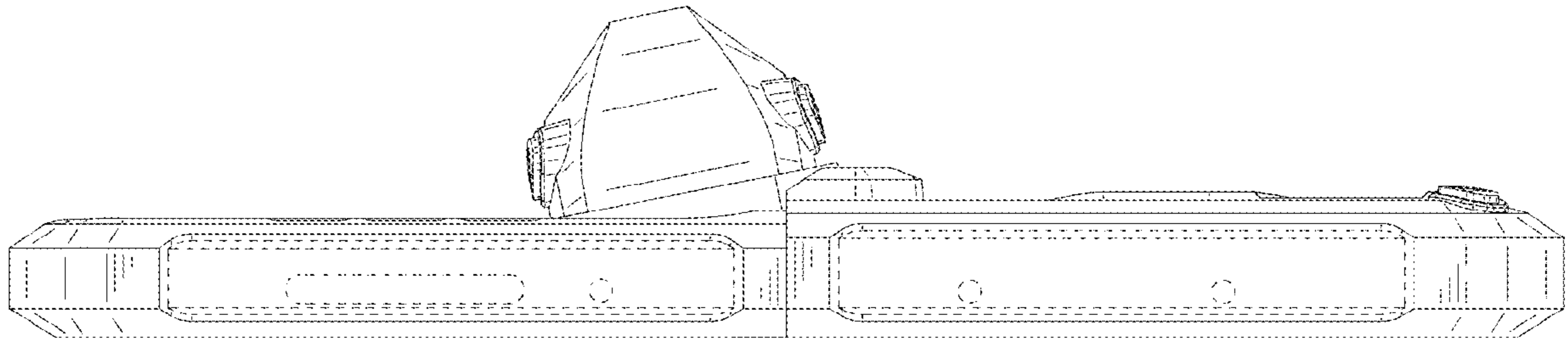


FIG. 13

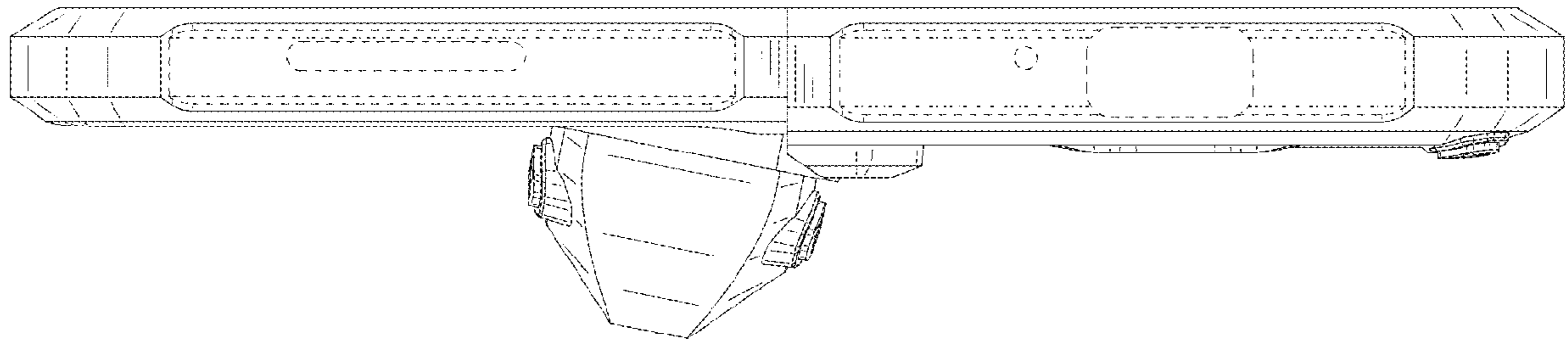


FIG. 14

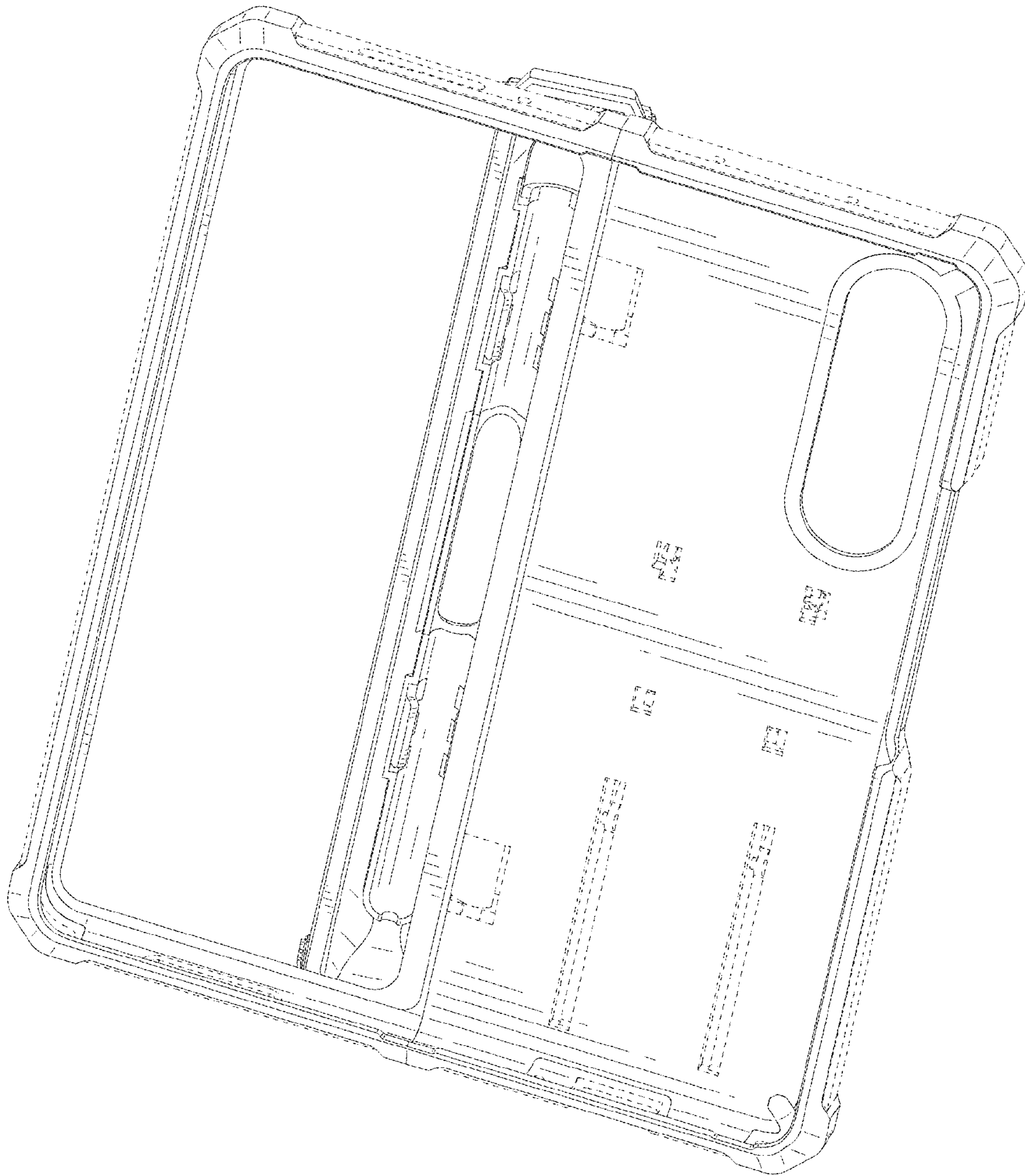


FIG. 15

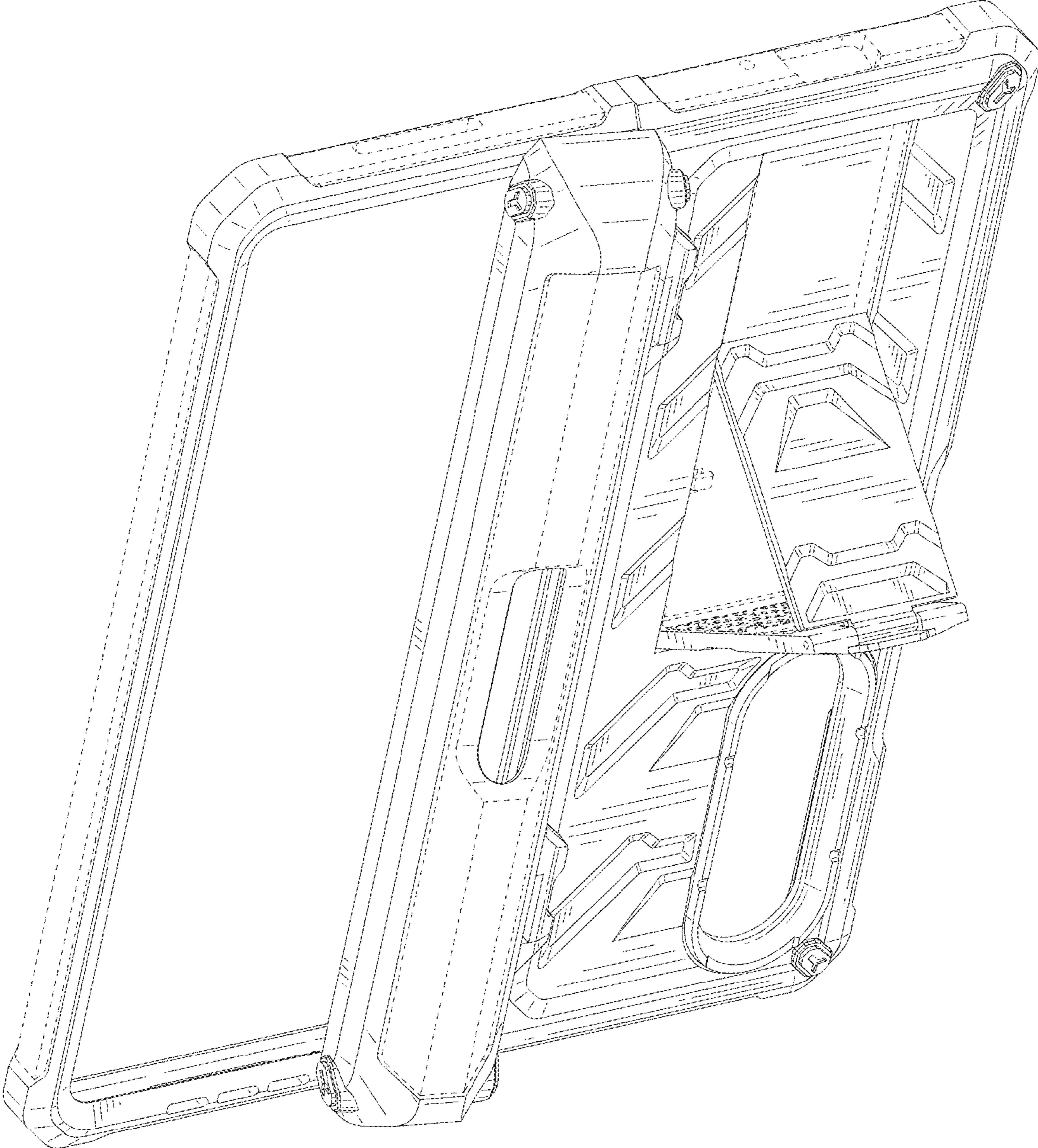


FIG. 16



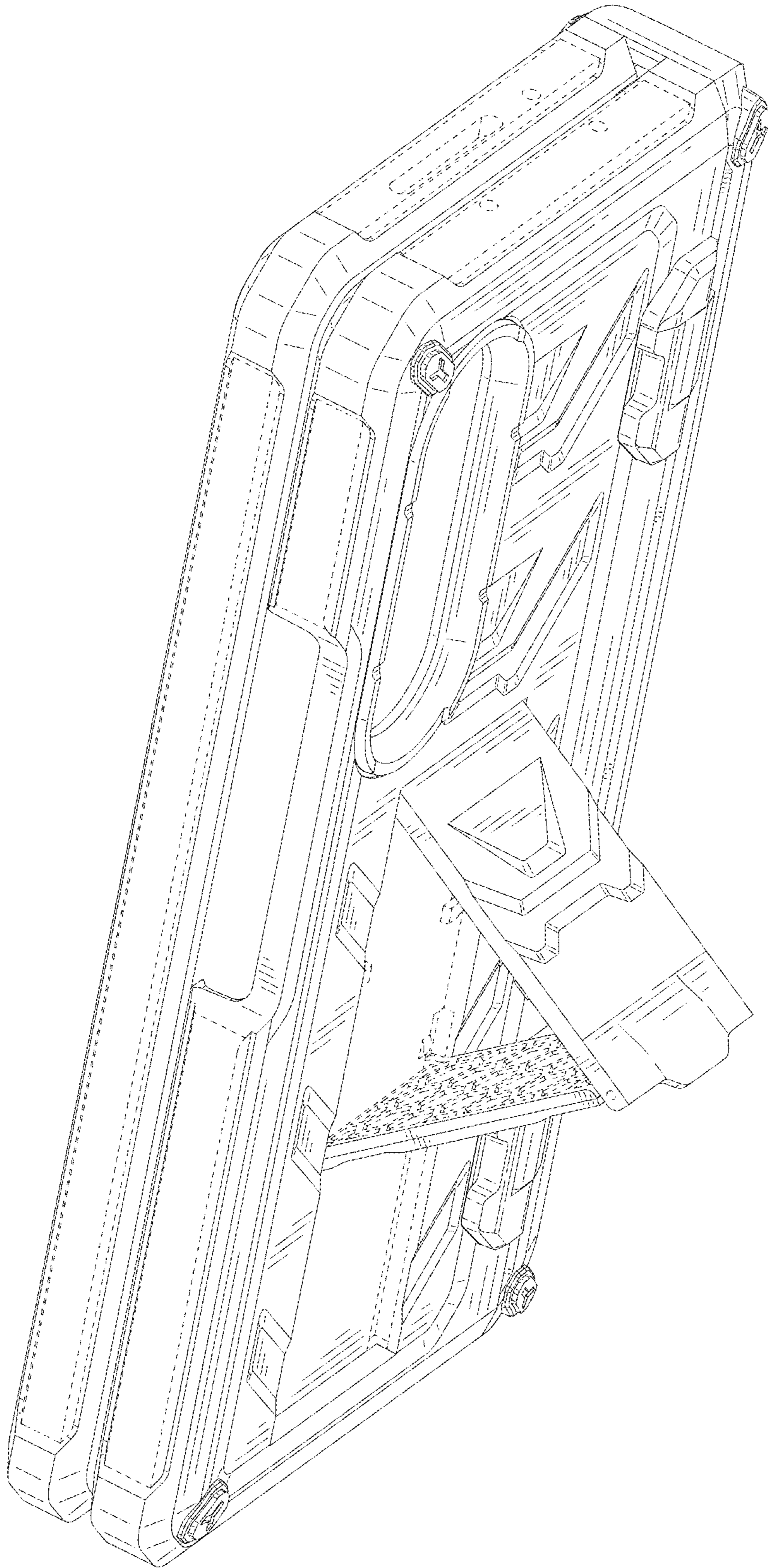


FIG. 17