



US00D970489S

(12) **United States Design Patent** (10) **Patent No.:** **US D970,489 S**
Chen (45) **Date of Patent:** **** Nov. 22, 2022**

(54) **MOBILE PHONE CASE**

FOREIGN PATENT DOCUMENTS

(71) Applicant: **Ruilin Chen**, Puning (CN)

CN 110381191 A * 10/2019
CN 307326601 * 5/2022

(72) Inventor: **Ruilin Chen**, Puning (CN)

OTHER PUBLICATIONS

(**) Term: **15 Years**

Mobile EKG for cellphone. Amazon website questions 2018, site visited Jul. 30, 2022, <https://www.amazon.com/KardiaMobile-Single-Lead-Personal-Monitor-FDA-Cleared/dp/B01A4W8AUK>.*

(21) Appl. No.: **29/790,540**

* cited by examiner

(22) Filed: **Dec. 2, 2021**

(51) **LOC (13) Cl.** **14-03**

Primary Examiner — John R Yeh

(52) **U.S. Cl.**

(74) *Attorney, Agent, or Firm* — Jeenam Park

USPC **D14/250**

(58) **Field of Classification Search**

(57) **CLAIM**

USPC D14/250

The ornamental design for a mobile phone case, as shown and described.

CPC A45C 11/00; H04B 1/3888; H04M 1/18

See application file for complete search history.

DESCRIPTION

(56) **References Cited**

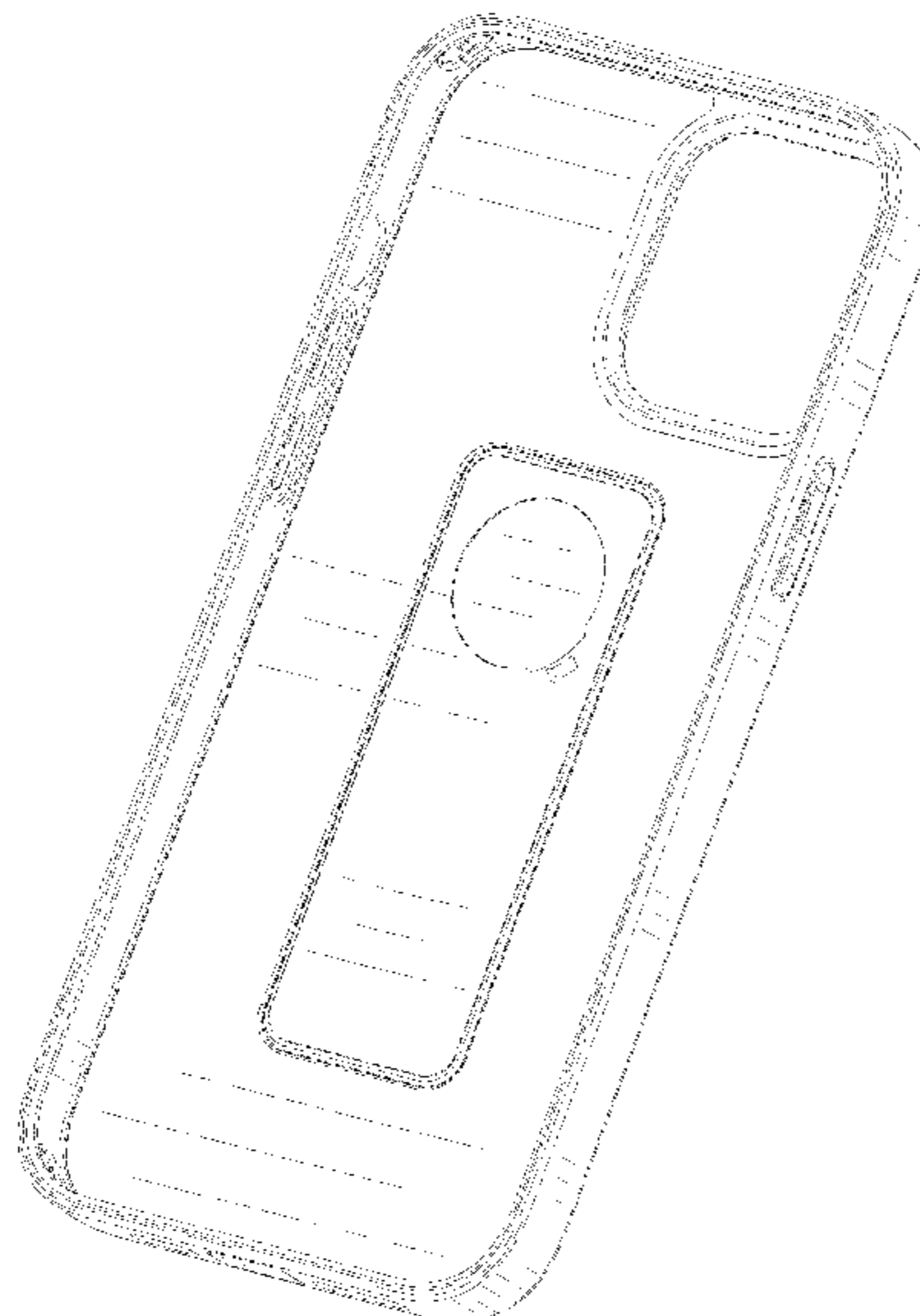
A portion of the disclosure of this patent document contains material which is subject to copyright and/or trademark protection. This patent document may show and/or describe matter which is or may become trade dress of Kardia. The copyright and trade dress owner has no objection to the facsimile reproduction by anyone of the patent disclosure as it appears in the Patent and Trademark Office patent files or records, but otherwise reserves all copyright and trade dress rights whatsoever.

U.S. PATENT DOCUMENTS

10,634,460	B1 *	4/2020	Sheikh	H04B 1/3888
D884,690	S *	5/2020	Kim	D14/250
D888,033	S *	6/2020	Kim	D14/250
10,717,582	B1 *	7/2020	Goodenough	B65D 81/022
D896,212	S *	9/2020	Wang	D14/250
D903,647	S *	12/2020	Lin	D14/250
D915,379	S *	4/2021	Kim	D14/250
D915,384	S *	4/2021	Kim	D14/250
D927,474	S	8/2021	He		
D928,768	S *	8/2021	Chung	D14/250
11,128,744	B2 *	9/2021	Cheswick	H04B 1/385
D936,643	S	11/2021	Yang et al.		
D940,698	S *	1/2022	Qu	D14/250
D947,165	S *	3/2022	Wu	D14/250
D948,494	S *	4/2022	Huang	D14/250
D952,624	S *	5/2022	Armstrong	D14/250
D954,695	S *	6/2022	Deng	D14/250
2016/0173158	A1 *	6/2016	Day	A45C 11/00 455/575.8
2018/0343025	A1 *	11/2018	Kim	A45C 13/1069
2021/0119660	A1 *	4/2021	Yu	A45C 13/008
2022/0209809	A1 *	6/2022	Wright	H04M 1/035

FIG. 1 is a perspective view of a mobile phone case, showing my new design;
FIG. 2 is another perspective view thereof;
FIG. 3 is a front view thereof;
FIG. 4 is a rear view thereof;
FIG. 5 is a left side view thereof;
FIG. 6 is a right side view thereof;
FIG. 7 is a top plan view thereof; and,
FIG. 8 is a bottom plan view thereof.
The broken lines depict environment of the mobile phone case and forms no part of the claimed design.

1 Claim, 8 Drawing Sheets



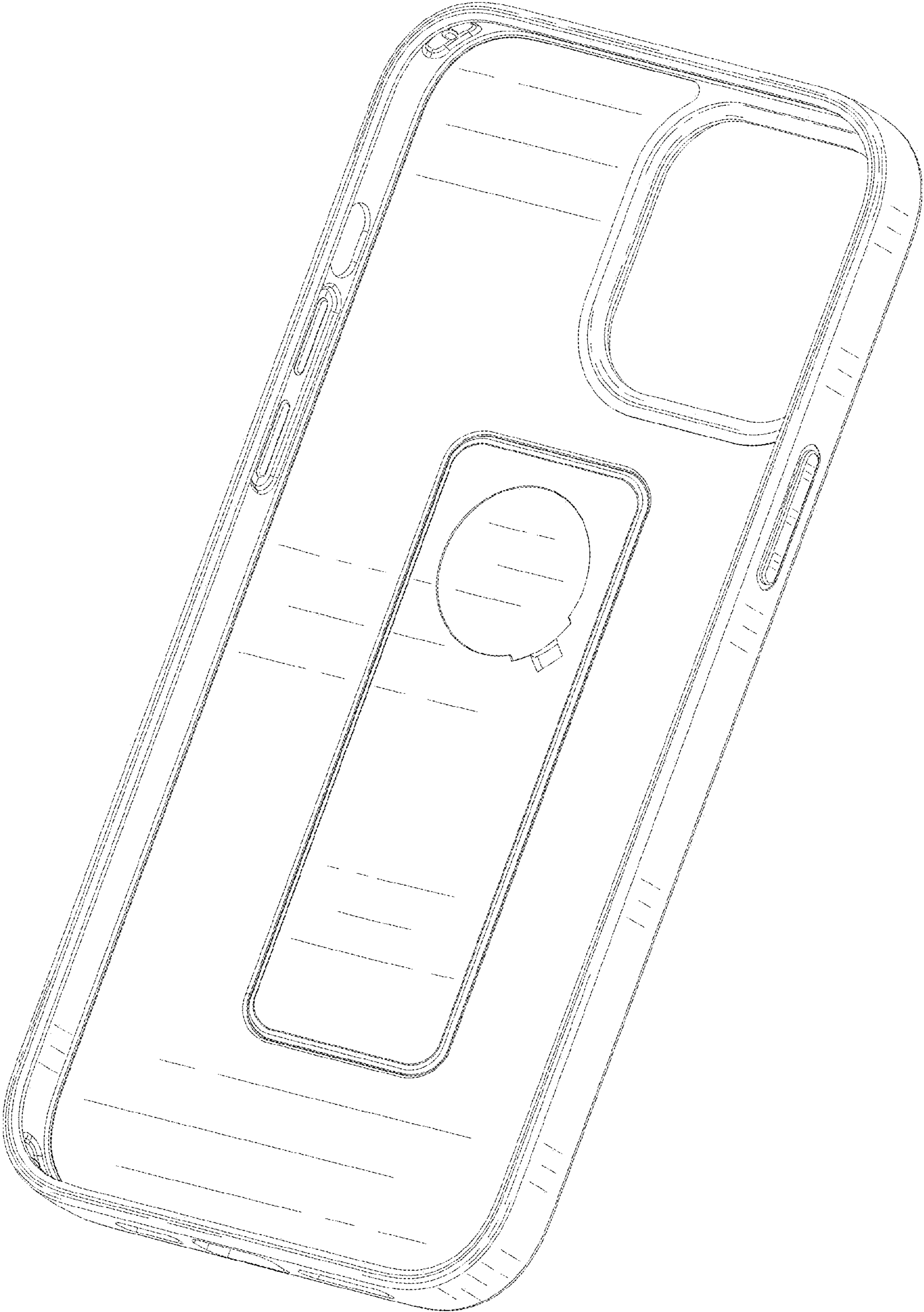


FIG. 1

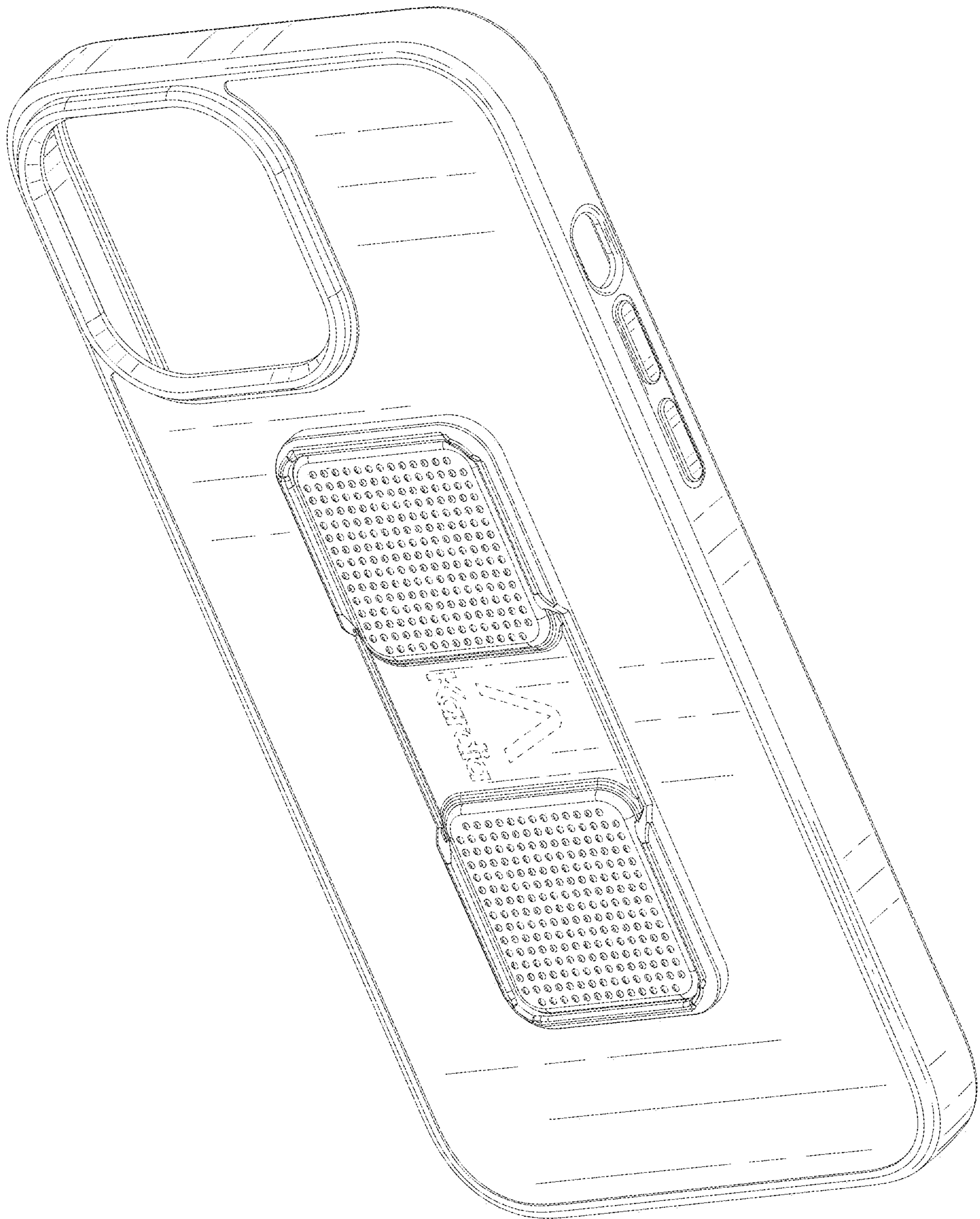


FIG. 2

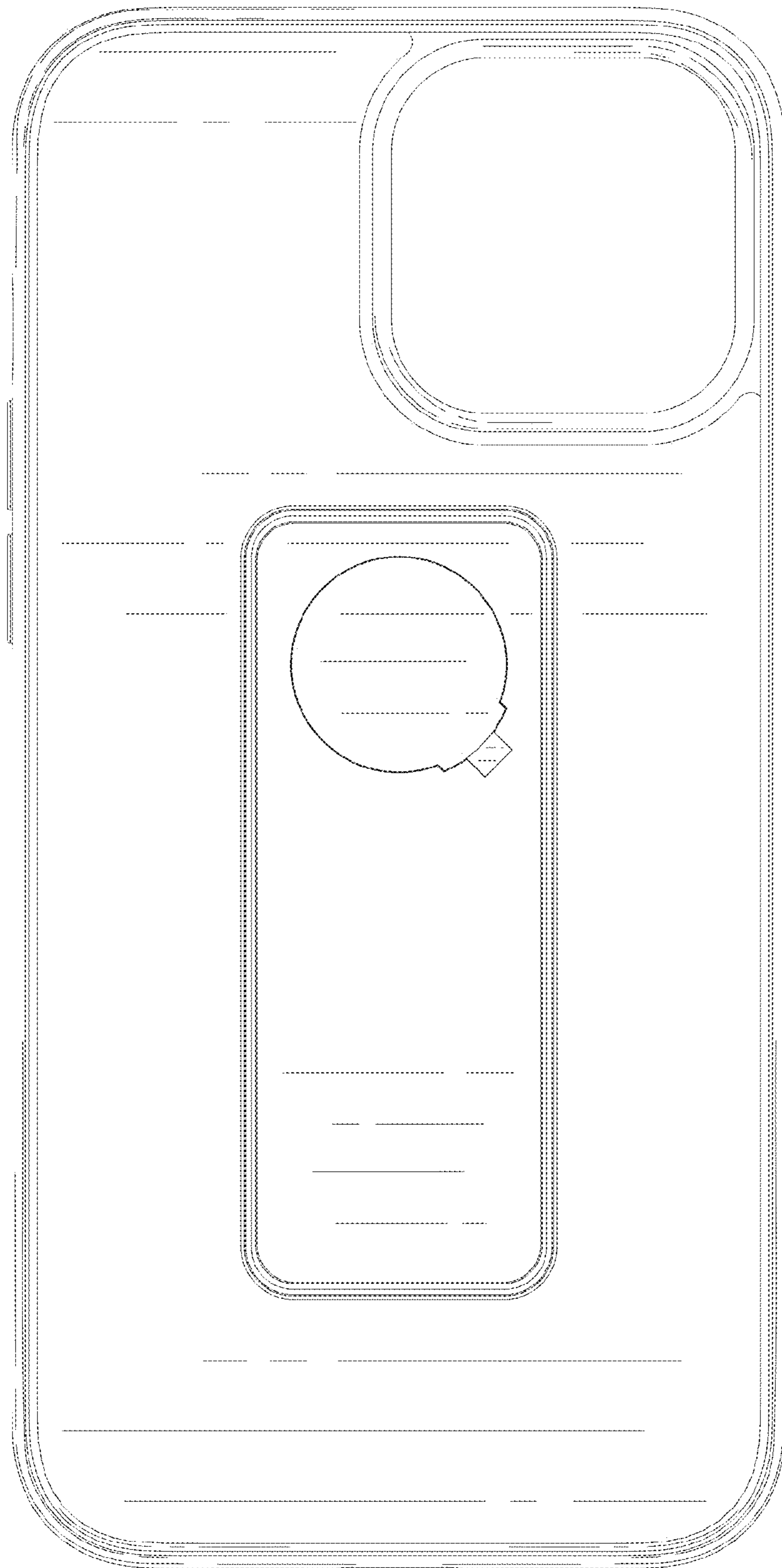


FIG. 3

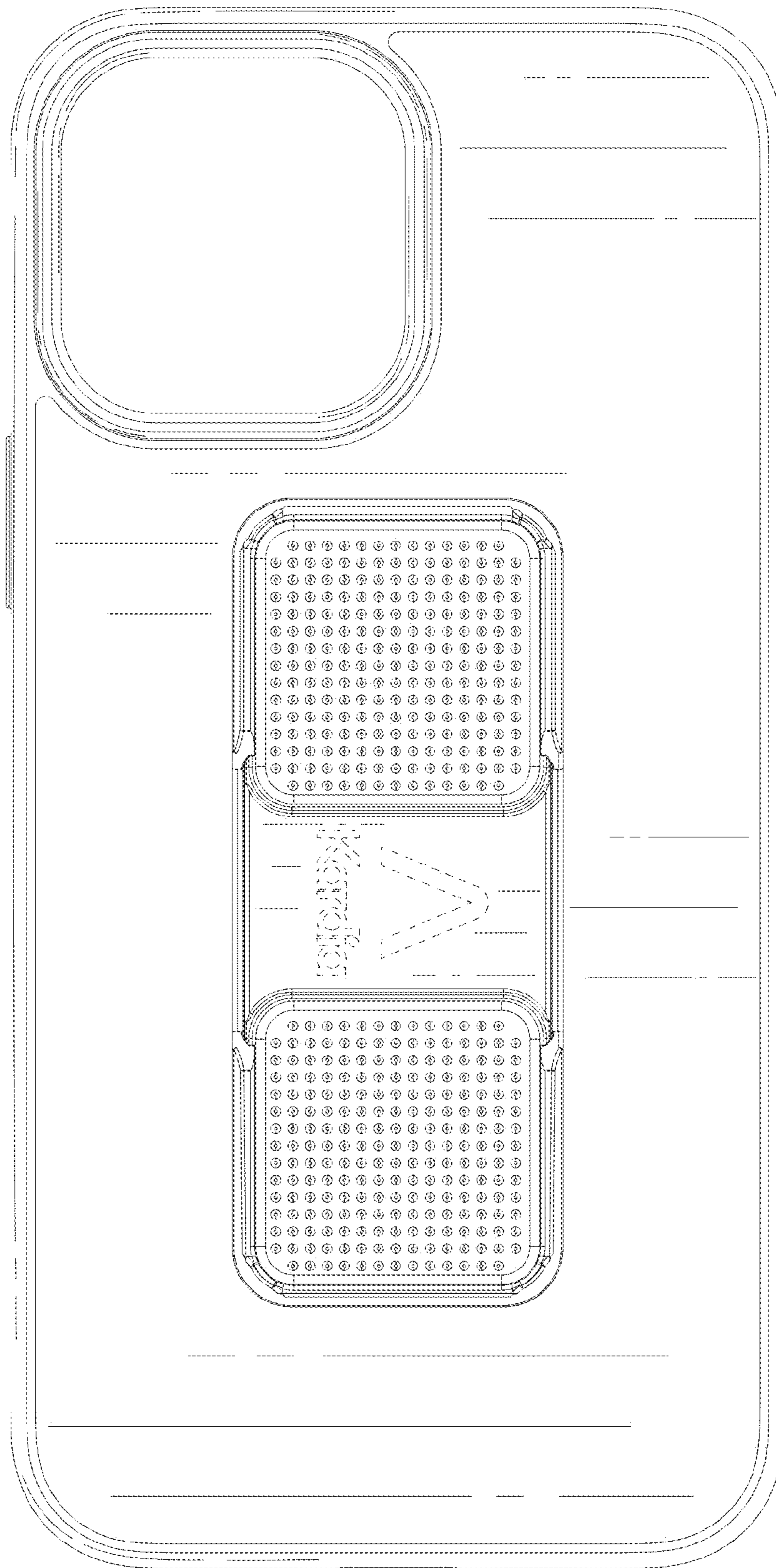


FIG. 4

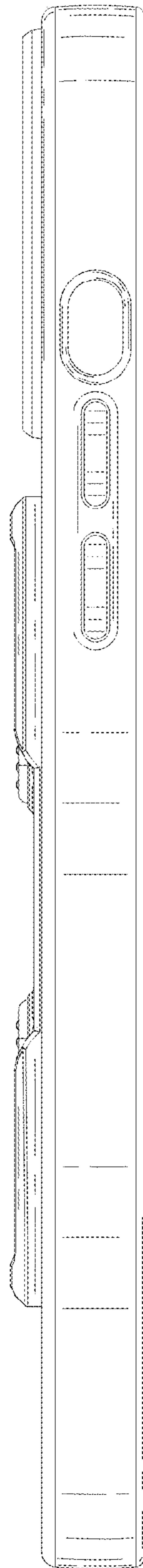


FIG. 5

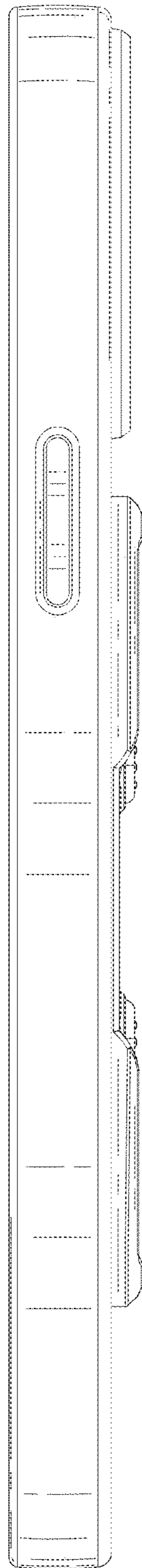


FIG. 6

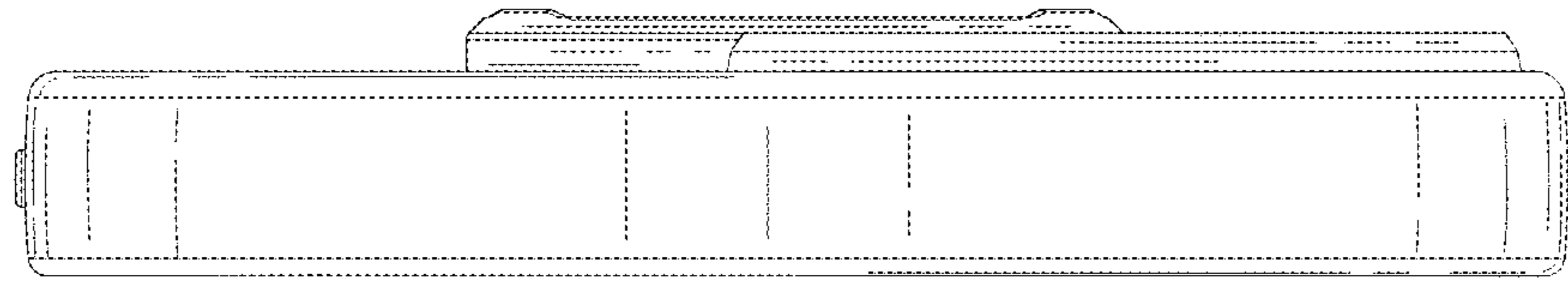


FIG. 7

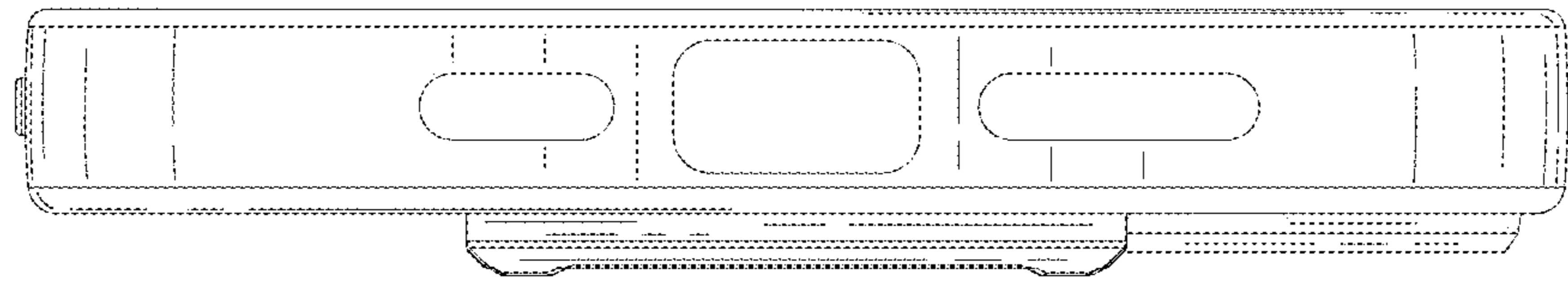


FIG. 8