



US00D970487S

(12) **United States Design Patent** (10) **Patent No.:** **US D970,487 S**
Siminoff et al. (45) **Date of Patent:** **** Nov. 22, 2022**

(54) **RANGE EXTENDER DEVICE**

(56) **References Cited**

(71) Applicant: **Amazon Technologies, Inc.**, Seattle, WA (US)
(72) Inventors: **James Siminoff**, Pacific Palisades, CA (US); **Mark Siminoff**, Mountain View, CA (US); **Wen-Yo Lu**, Pasadena, CA (US); **Christopher Loew**, Palo Alto, CA (US); **Jia Li**, Nutley, NJ (US); **Wei-Chung Wang**, New Taipei (TW); **Gregory Berlin**, Spring City, PA (US); **Andrew Louis Russell**, Havertown, PA (US)

U.S. PATENT DOCUMENTS

D513,617 S 1/2006 Tierney
D565,036 S 3/2008 Ju et al.
D575,775 S 8/2008 Sekine
D626,951 S 11/2010 Ding
D630,198 S 1/2011 Wilkens et al.
D639,789 S 6/2011 Kim et al.

(Continued)

FOREIGN PATENT DOCUMENTS

CN 306196802 11/2020
EM 007837166-0001 * 5/2020

(Continued)

(73) Assignee: **Amazon Technologies, Inc.**, Seattle, WA (US)

OTHER PUBLICATIONS

(**) Term: **15 Years**

The Chinese Office Action dated Jul. 27, 2020 for Chinese Patent Application No. 202030160589.8, a counterpart of U.S. Appl. No. 29/711,507, 1 page.

(21) Appl. No.: **29/803,942**

Primary Examiner — Bridget L Eland

(74) *Attorney, Agent, or Firm* — Lee & Hayes, P.C.

(22) Filed: **Aug. 17, 2021**

(57) **CLAIM**

The ornamental design for a range extender device, as shown and described.

Related U.S. Application Data

(62) Division of application No. 29/711,507, filed on Oct. 31, 2019, now Pat. No. Des. 928,759.

(51) **LOC (13) Cl.** **14-03**

(52) **U.S. Cl.**
USPC **D14/242**

(58) **Field of Classification Search**
USPC D14/240, 242, 357, 358, 140–140.9, 155, D14/125, 137, 139, 243, 348, 349, 351, D14/354, 355

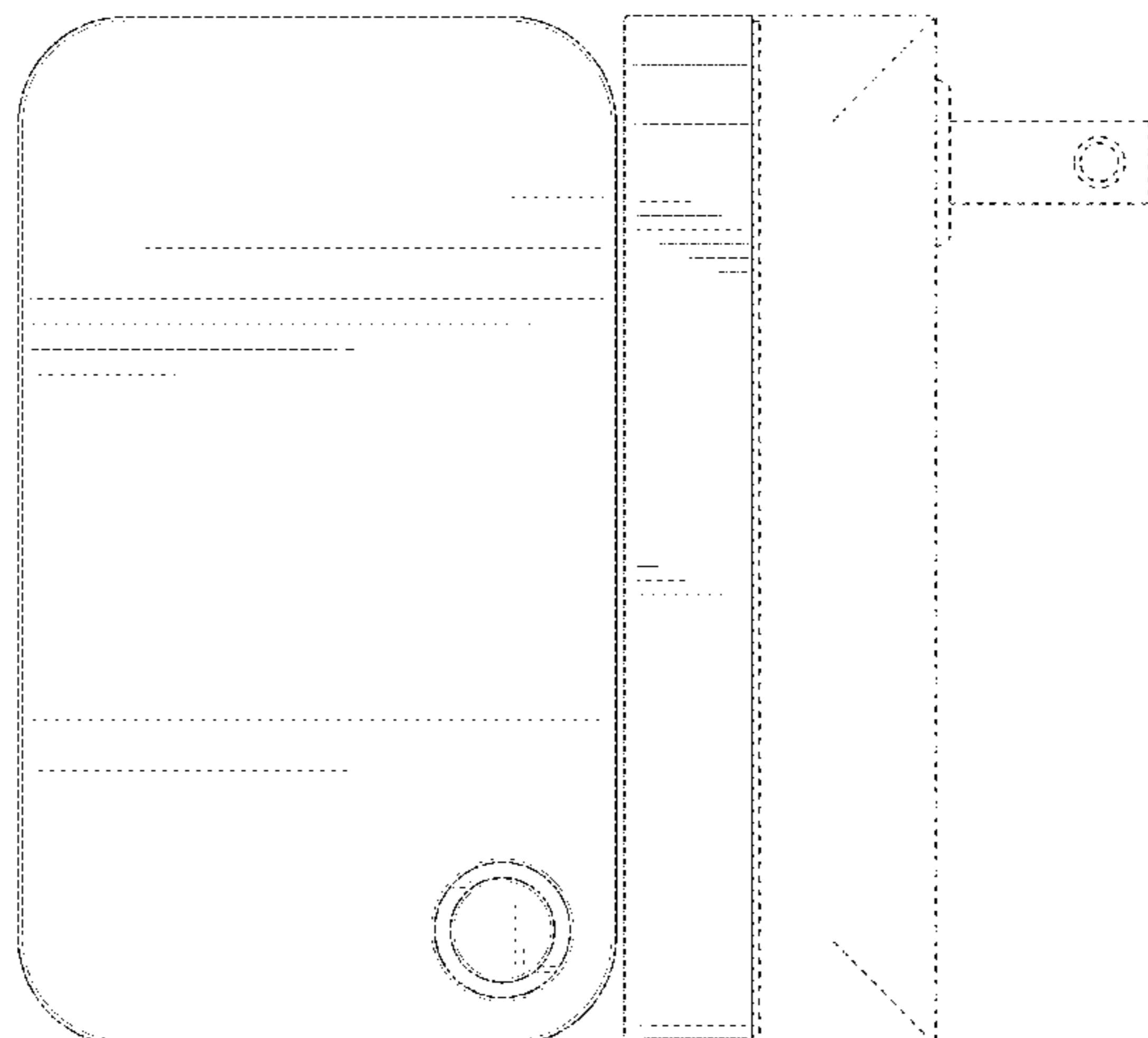
CPC H04L 12/00; H03K 17/00; H04W 88/00; H04W 88/005; H04W 88/02; H04W 88/08; H04W 88/085; H04W 88/10; H04W 88/12; H04W 88/14; H04B 1/38

See application file for complete search history.

DESCRIPTION

FIG. 1 is a front, top, right-side perspective view of a range extender device;
FIG. 2 is a back, bottom, left-side perspective view thereof;
FIG. 3 is a front elevation view thereof;
FIG. 4 is a back elevation view thereof;
FIG. 5 is a left-side elevation view thereof;
FIG. 6 is a right-side elevation view thereof;
FIG. 7 is a top plan view thereof; and,
FIG. 8 is a bottom plan view thereof.

(Continued)



The broken lines depict portions of the range extender device that form no part of the claimed design.

1 Claim, 8 Drawing Sheets

(56)

References Cited

U.S. PATENT DOCUMENTS

D653,662 S 2/2012 Park et al.
D654,917 S 2/2012 Chaturvedi et al.
D661,698 S 6/2012 Chaturvedi et al.
D711,344 S * 8/2014 Aarrestad D14/140
D714,294 S * 9/2014 Dinh D14/439
D735,179 S * 7/2015 Yang D14/240
D743,962 S 11/2015 Ikeda
D782,476 S 3/2017 Yamazaki
D812,590 S 3/2018 Modestine et al.

D813,212 S 3/2018 Nangeroni et al.
D839,225 S * 1/2019 Hammarstedt D14/125
10,334,701 B1 * 6/2019 Siminoff G06F 3/04847
D853,355 S 7/2019 Modestine et al.
D857,012 S * 8/2019 Chen D14/203.3
D860,176 S 9/2019 Siminoff et al.
10,412,811 B1 * 9/2019 Siminoff H05B 47/16
D864,161 S 10/2019 Modestine et al.
D873,820 S 1/2020 Wei et al.
D901,471 S 11/2020 Siminoff et al.
D928,759 S * 8/2021 Siminoff D14/242
D942,881 S * 2/2022 Siminoff D10/106.6
D947,705 S * 4/2022 Russo D10/121
D953,304 S * 5/2022 Huang D14/225
2016/0366373 A1 12/2016 Siminoff et al.

FOREIGN PATENT DOCUMENTS

EM 007837166-0002 * 5/2020
KR 300684115.0000 * 3/2013

* cited by examiner

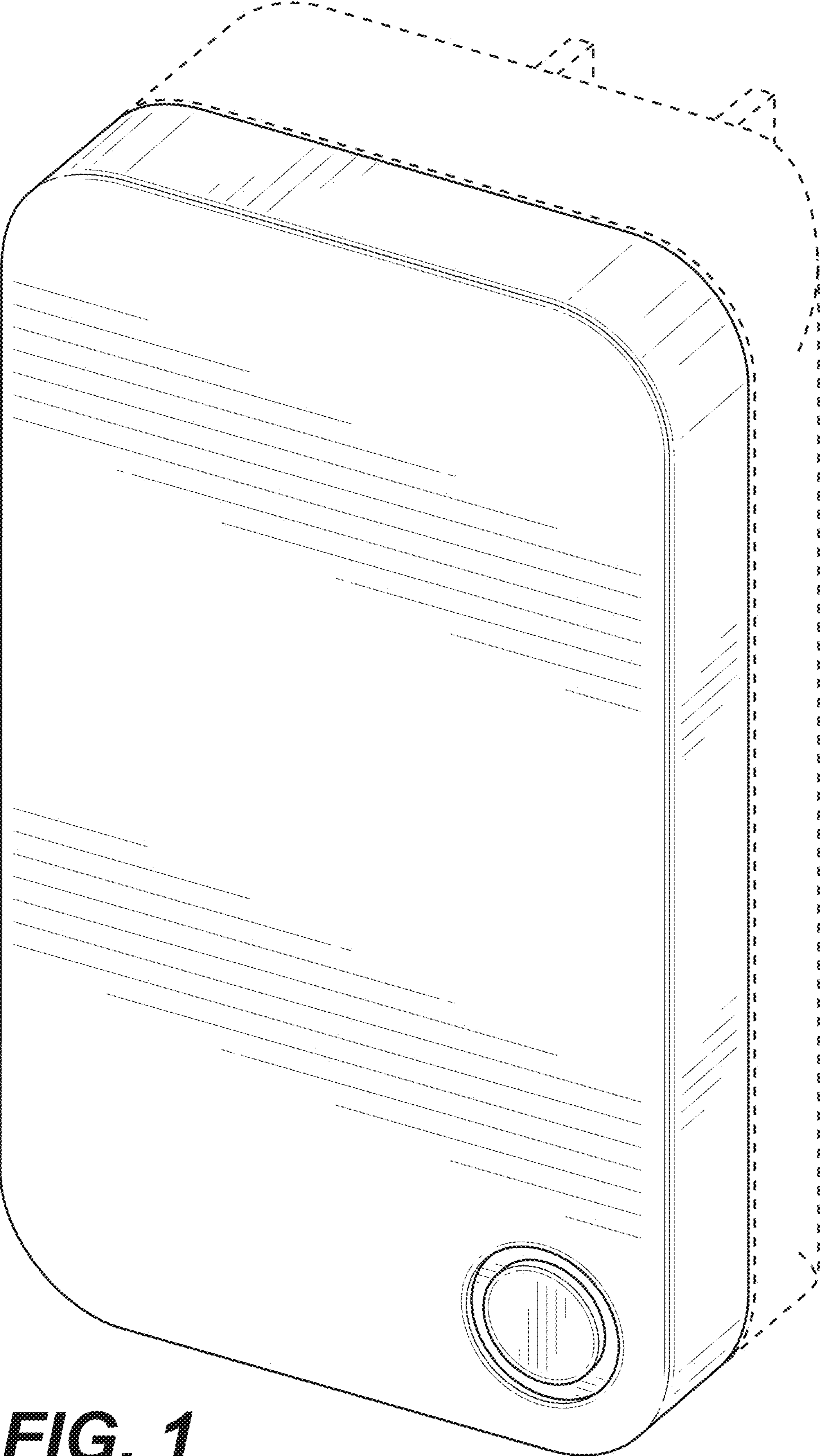


FIG. 1

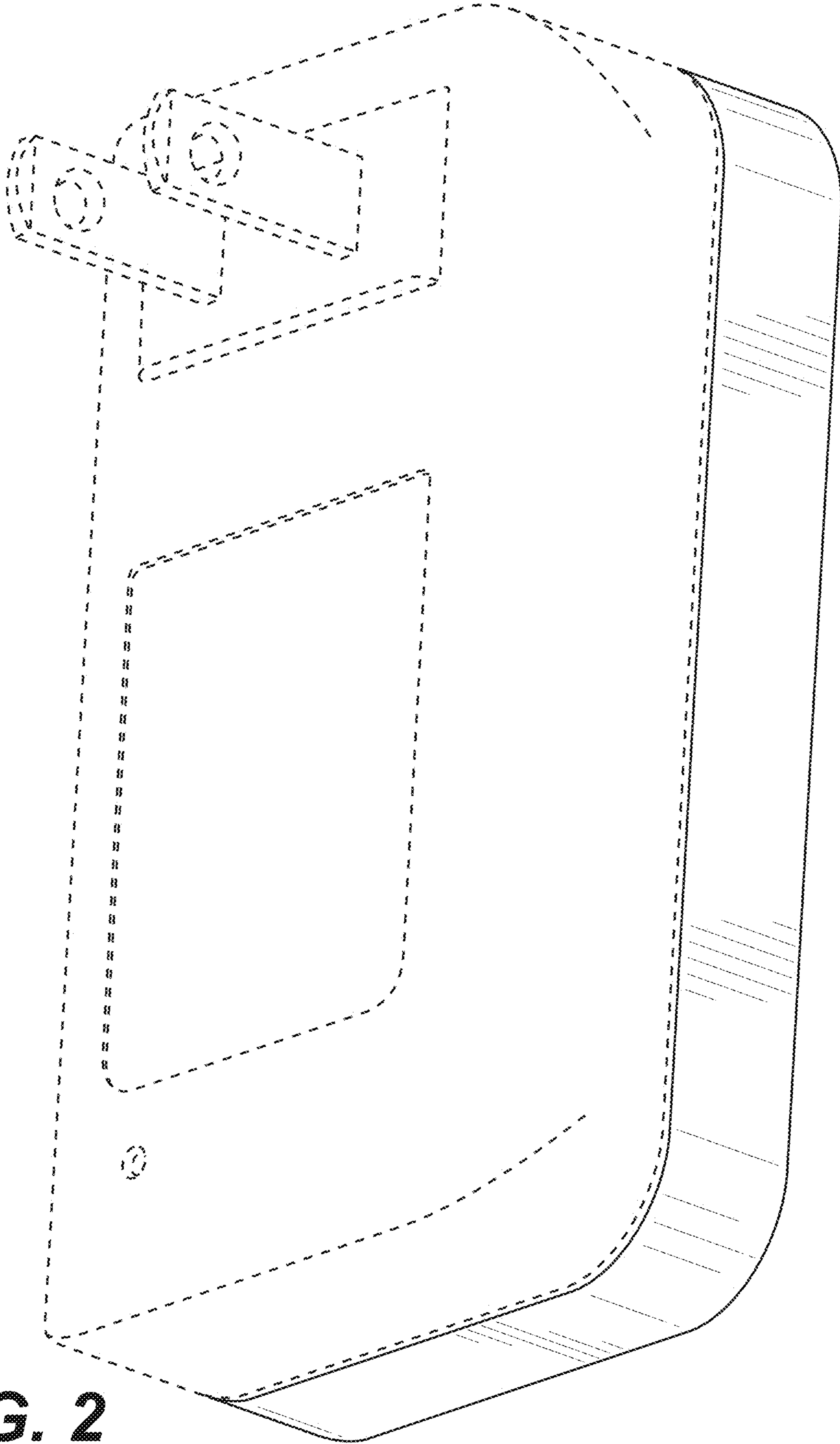


FIG. 2

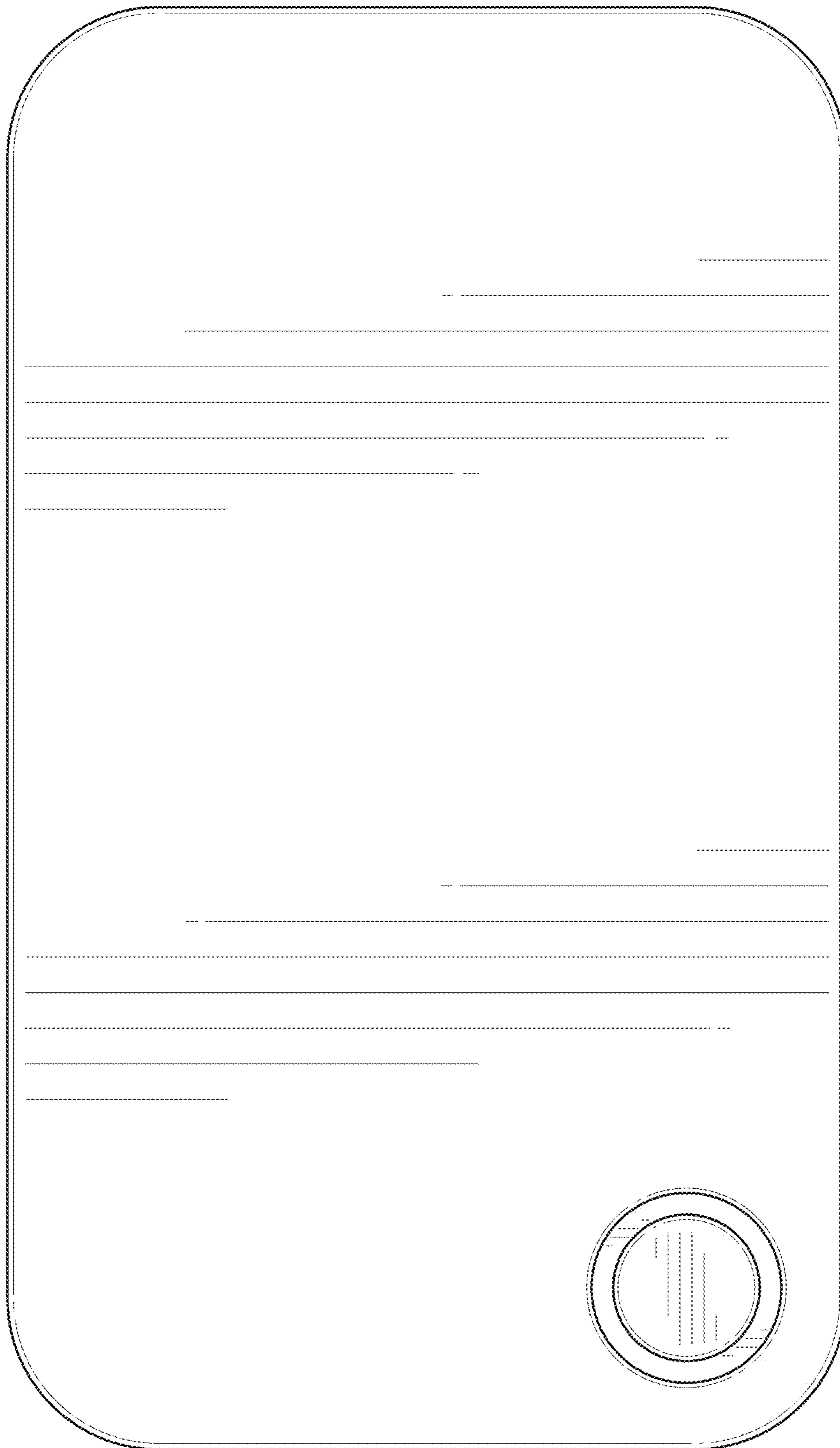


FIG. 3

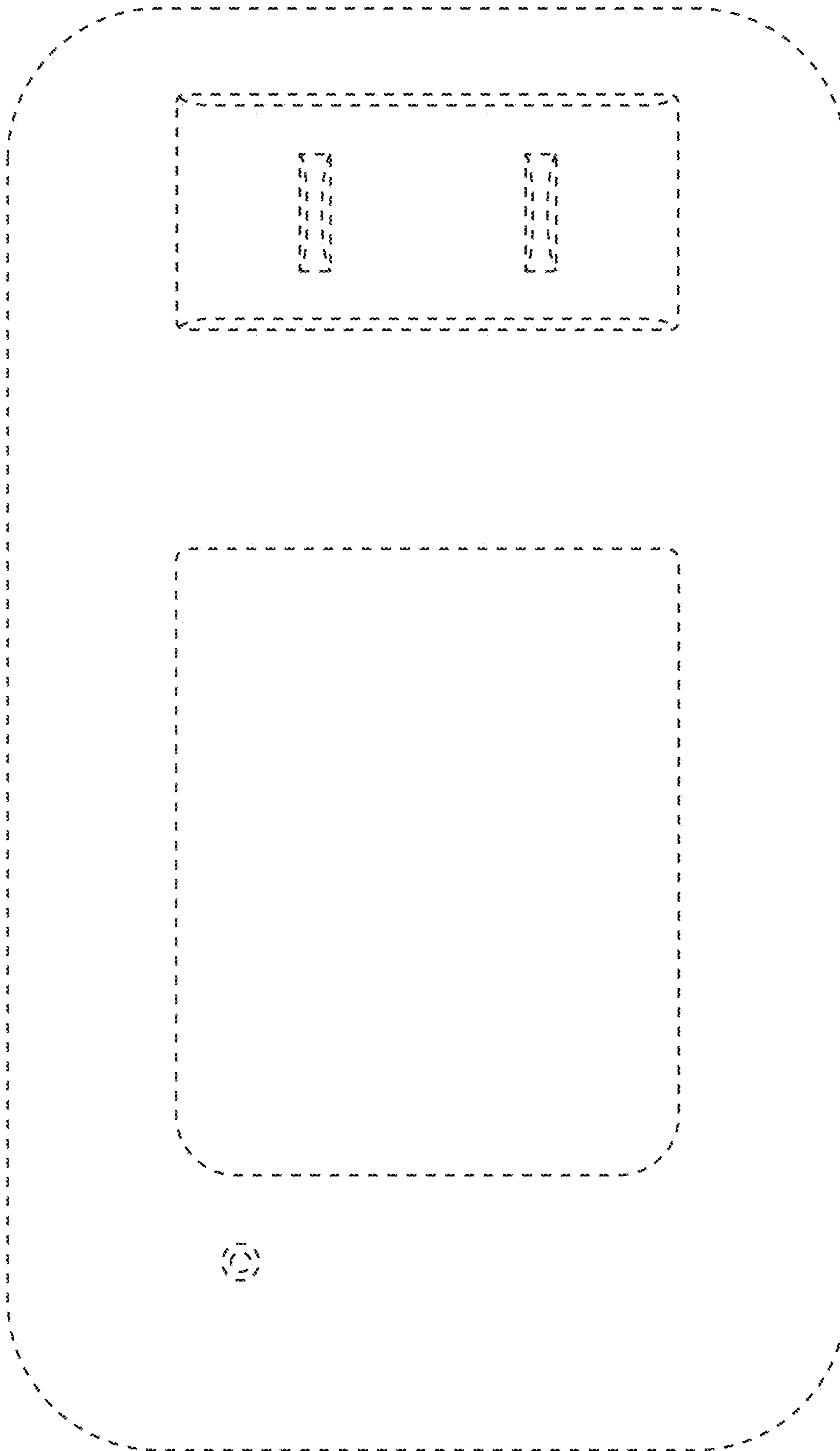


FIG. 4

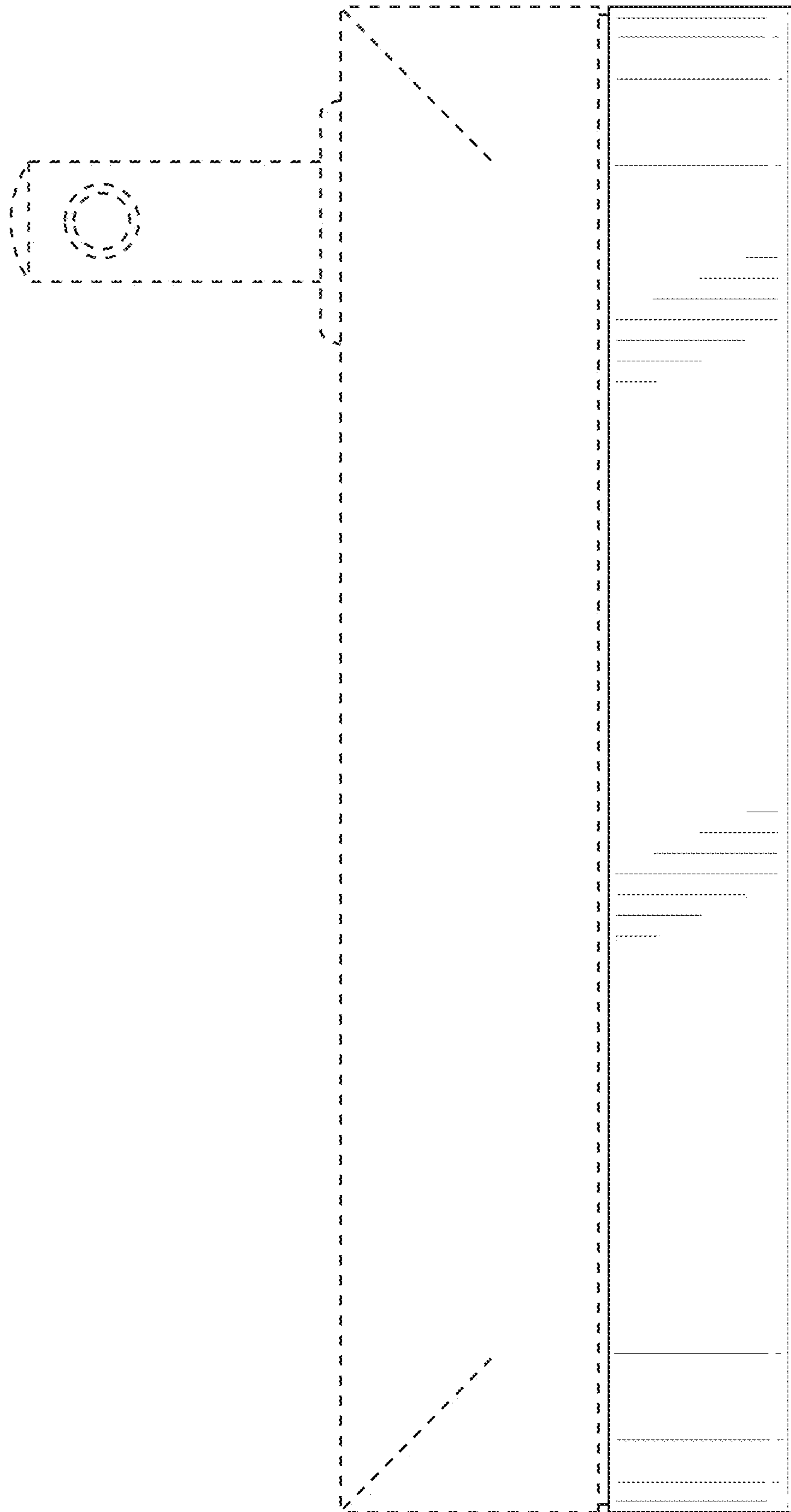


FIG. 5

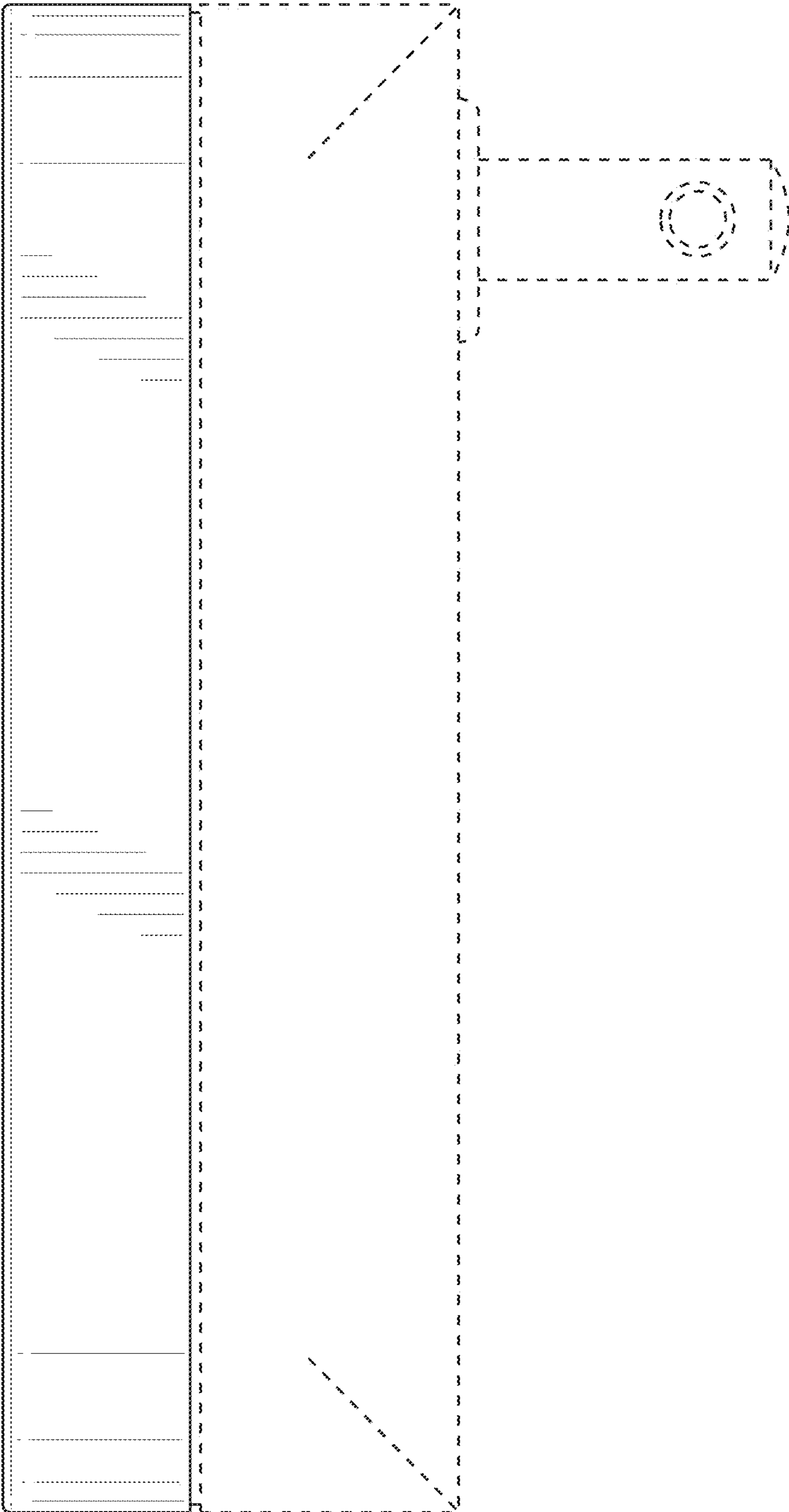


FIG. 6

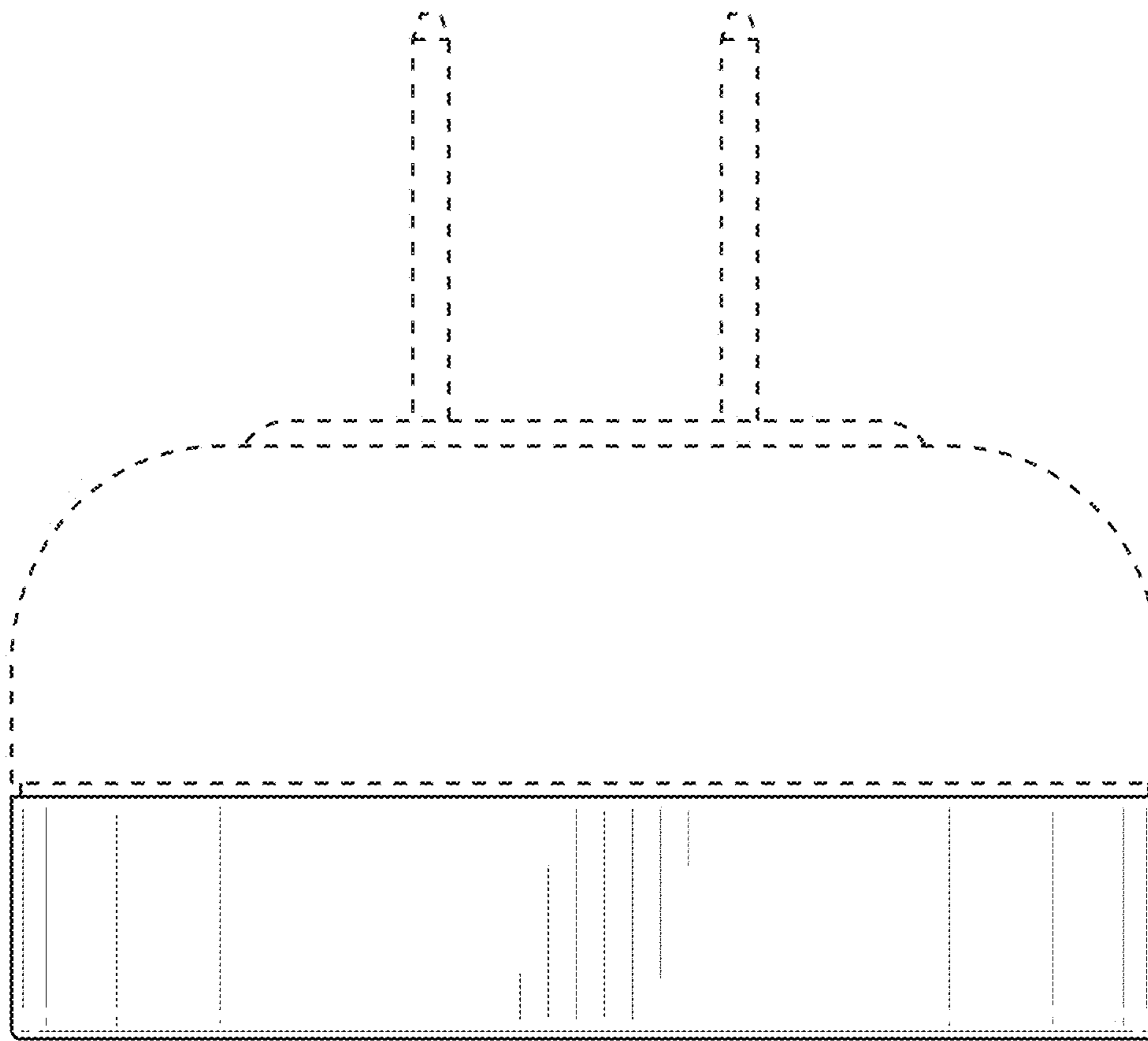


FIG. 7

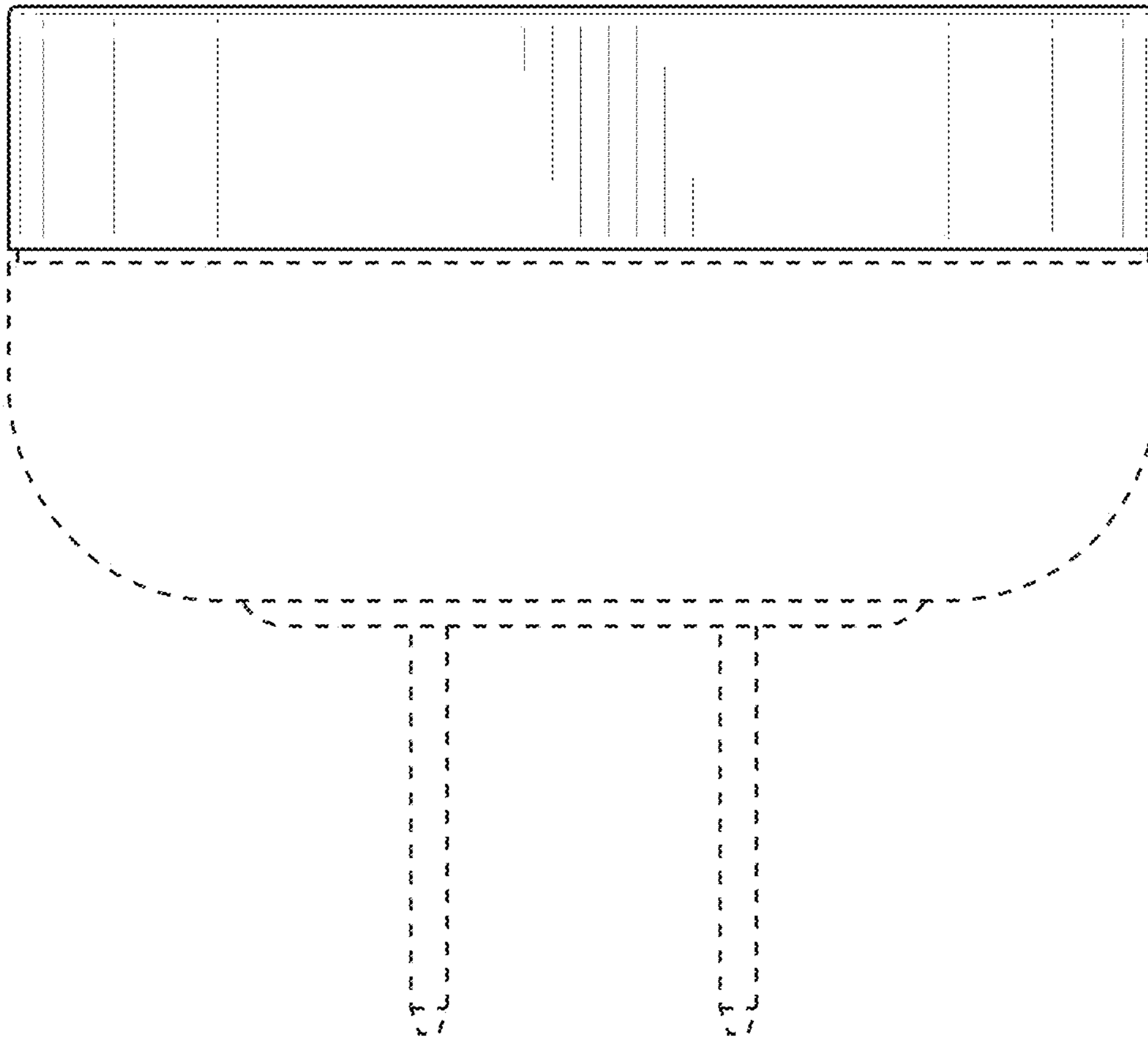


FIG. 8