



US00D970485S

(12) **United States Design Patent** (10) **Patent No.:** **US D970,485 S**
Ayala Vera et al. (45) **Date of Patent:** **** Nov. 22, 2022**

(54) **ELECTRONIC MEDIA GATEWAY HOUSING**

D839,225 S * 1/2019 Hammarstedt D14/125
D846,515 S * 4/2019 Hammarstedt D14/125

(71) Applicant: **ARRIS Enterprises LLC**, Suwanee, GA (US)

* cited by examiner

(72) Inventors: **Julio Cesar Ayala Vera**, Apodaca (MX); **Steven M. Corso**, Philadelphia, PA (US); **Robert H. Folk**, Suwanee, GA (US); **Dave M. Gargani**, Lansdale, PA (US); **Rick J. Loechler**, Suwanee, GA (US); **Luis Carlos Lopez Moreno**, Apodaca (MX)

Primary Examiner — Khawaja Anwar
Assistant Examiner — Megan Tiana Rakos
(74) *Attorney, Agent, or Firm* — Wenderoth, Lind & Ponack, L.L.P.

(57) **CLAIM**

The ornamental design for an electronic media gateway housing, as shown and described.

DESCRIPTION

(73) Assignee: **ARRIS ENTERPRISES LLC**, Suwanee, GA (US)

FIG. 1 is a top perspective view of a first embodiment of an ornamental design for an electronic media gateway housing; FIG. 2 is a bottom perspective view of the first embodiment thereof;

(**) Term: **15 Years**

FIG. 3 is a top view of the first embodiment thereof; FIG. 4 is a bottom view of the first embodiment thereof; FIG. 5 is a front view of the first embodiment thereof; FIG. 6 is a rear view of the first embodiment thereof; FIG. 7 is a right view of the first embodiment thereof; and FIG. 8 is a left view of the first embodiment thereof.

(21) Appl. No.: **29/736,168**

(22) Filed: **May 28, 2020**

(51) **LOC (13) Cl.** **14-03**

(52) **U.S. Cl.**
USPC **D14/240**

(58) **Field of Classification Search**
USPC D10/50; D13/162, 164, 171, 184;
D14/217, 138, 160, 167, 188, 198, 240,
D14/299, 346, 358, 434, 498, 502
See application file for complete search history.

FIG. 9 is a top perspective view of a second embodiment of an ornamental design for an electronic media gateway housing;

FIG. 10 is a bottom perspective view of the second embodiment thereof;

FIG. 11 is a top view of the second embodiment thereof;

FIG. 12 is a bottom view of the second embodiment thereof;

FIG. 13 is a right view of the second embodiment thereof;

FIG. 14 is a left view of the second embodiment thereof;

FIG. 15 is a rear view of the second embodiment thereof;

and,

FIG. 16 is a front view of the second embodiment thereof.

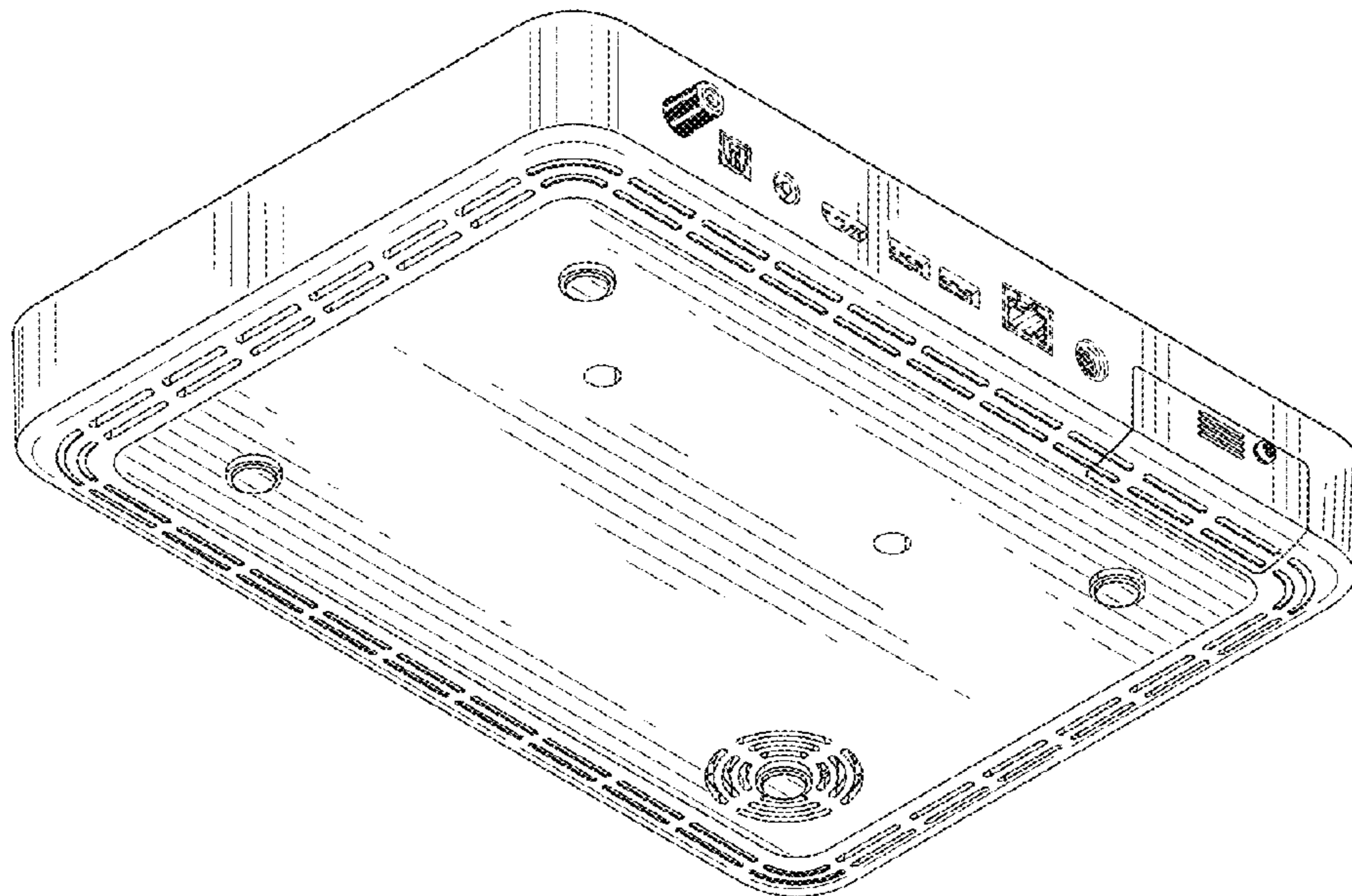
The broken lines in the drawings illustrate portions of the electronic media gateway housing that form no part of the claimed design.

(56) **References Cited**

U.S. PATENT DOCUMENTS

D623,228 S *	9/2010	Hoch	D19/113
D724,036 S *	3/2015	Cha	D13/162
D727,908 S *	4/2015	Samuels	D14/434
D742,856 S *	11/2015	Skjoldborg	D14/217
D815,077 S *	4/2018	Sibley	D14/242

1 Claim, 12 Drawing Sheets



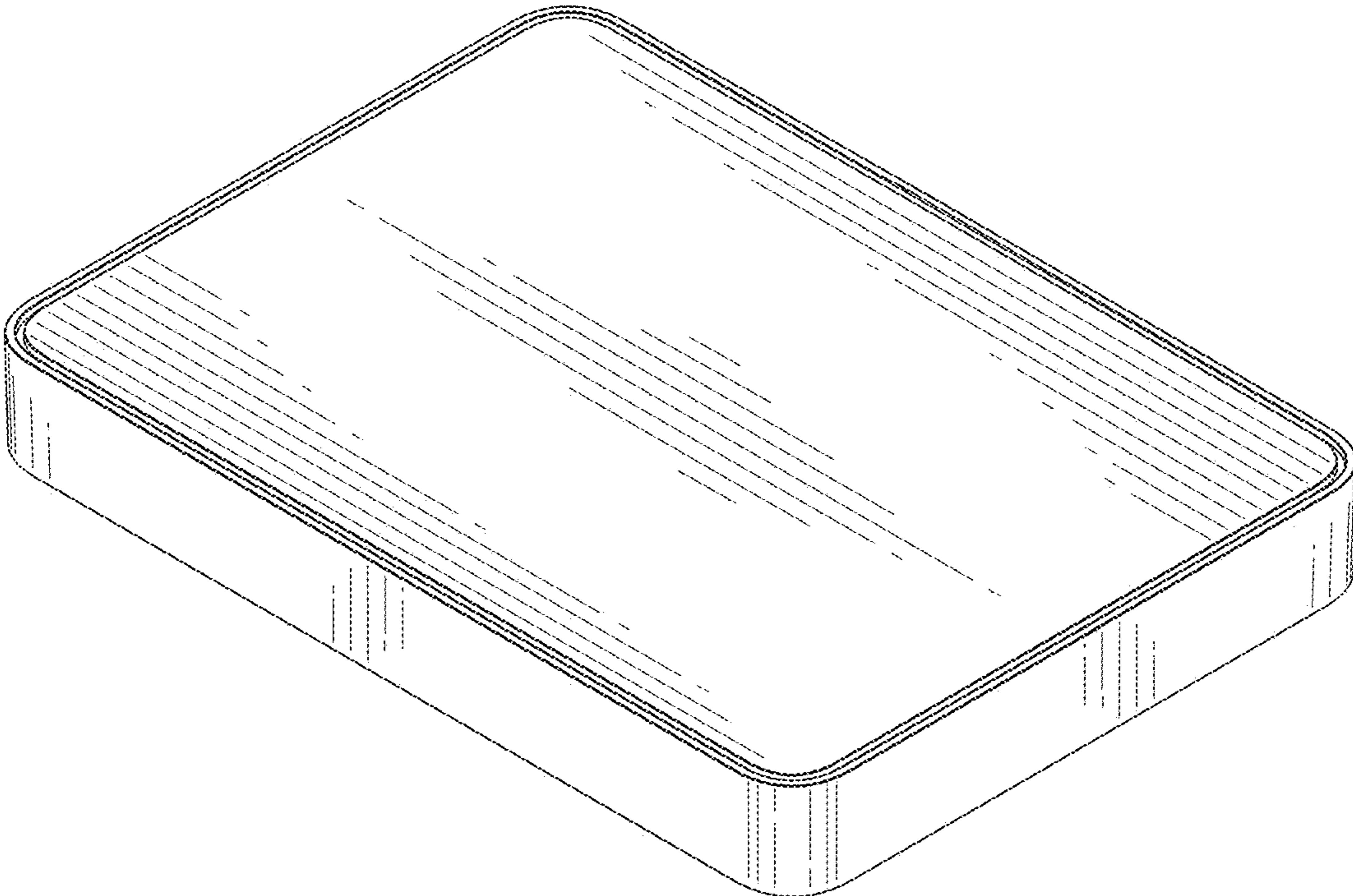


FIG. 1

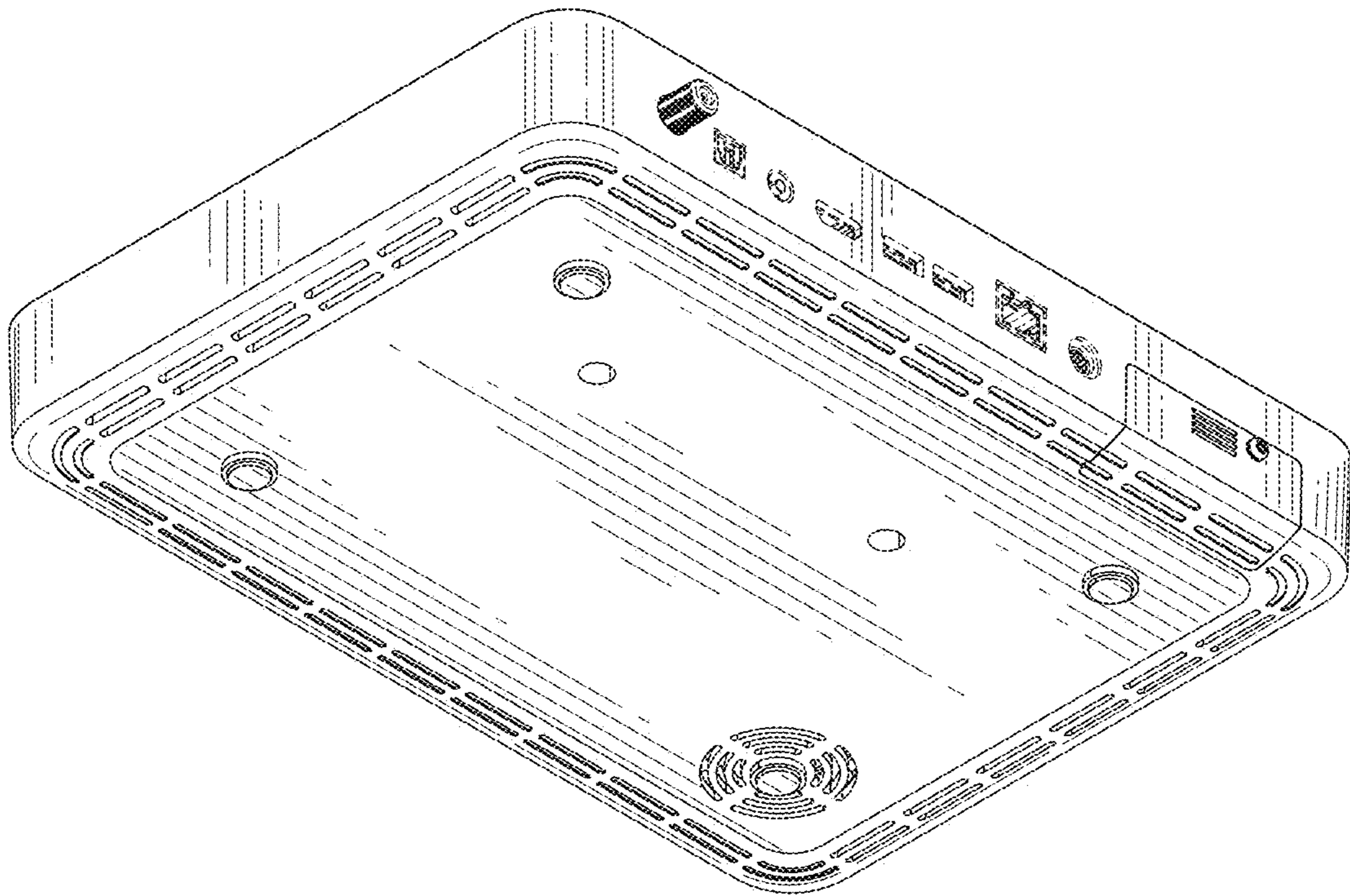


FIG. 2

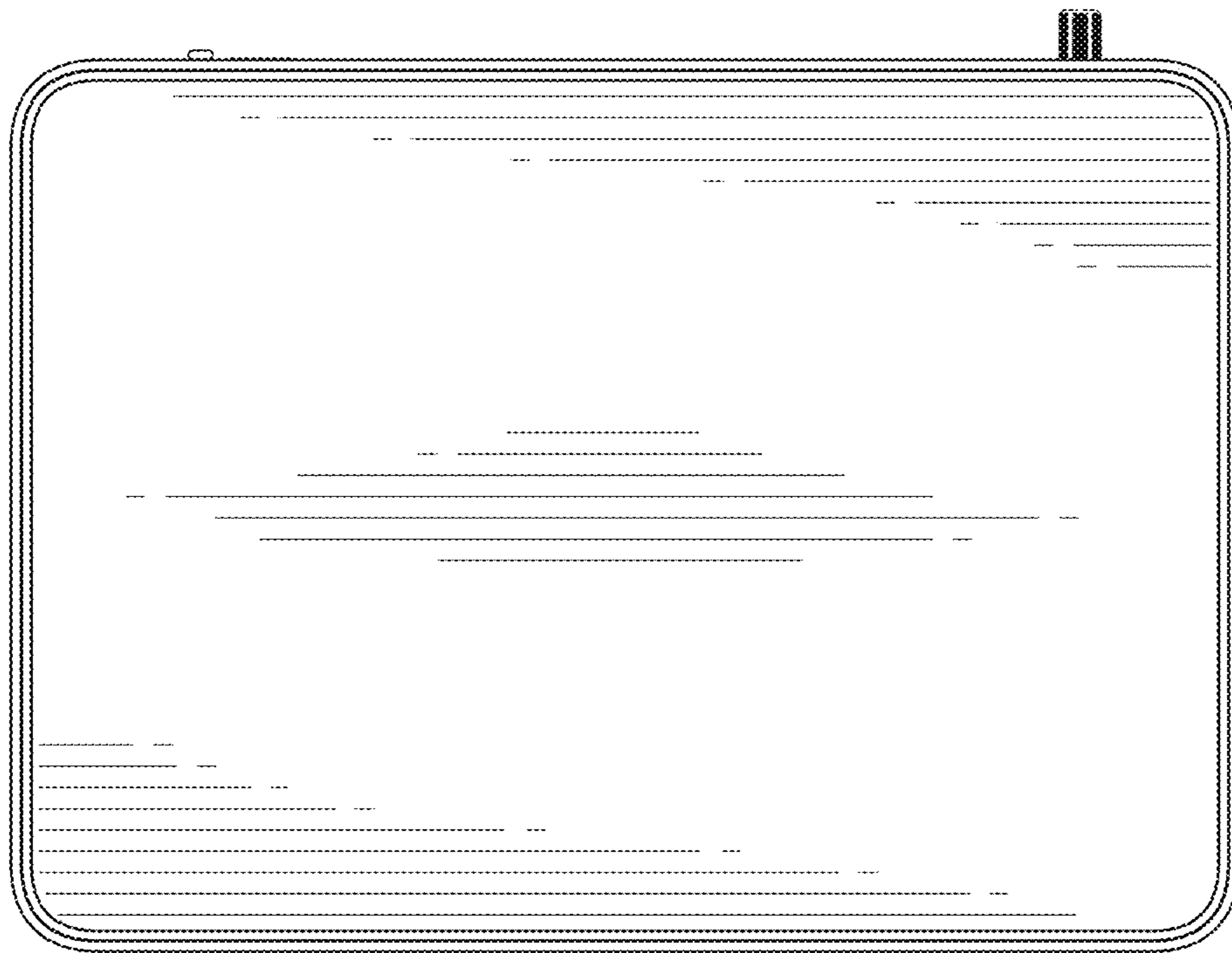


FIG. 3

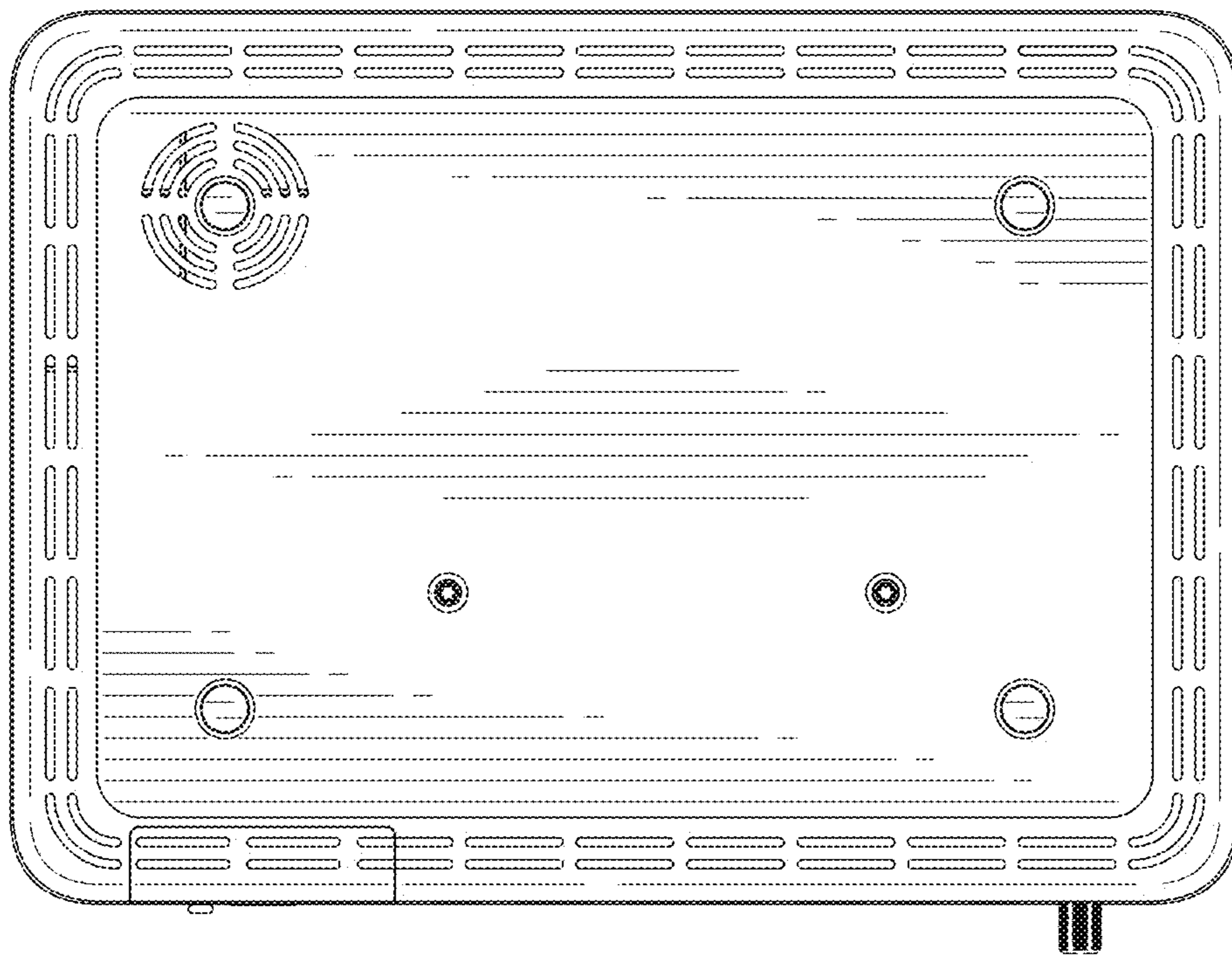


FIG. 4

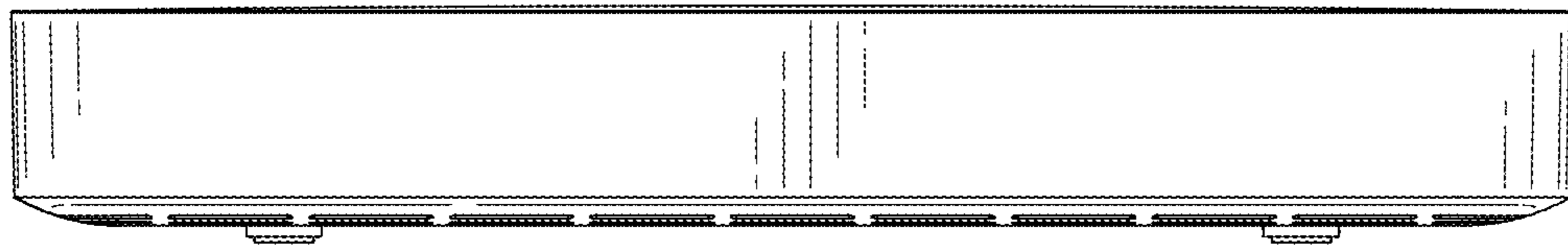


FIG. 5

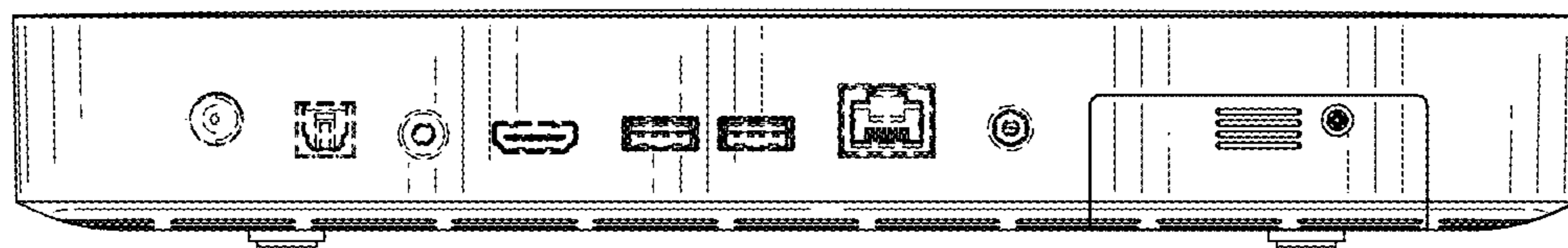


FIG. 6

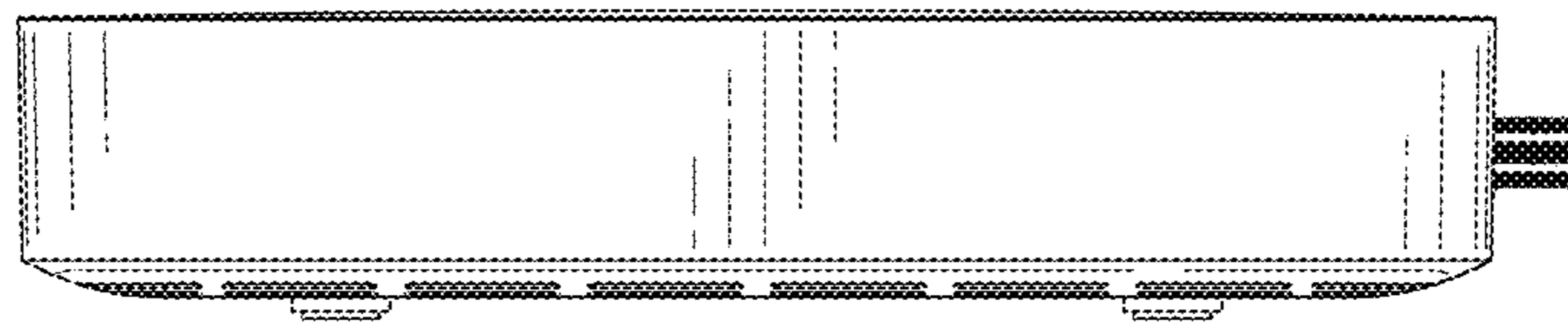


FIG. 7

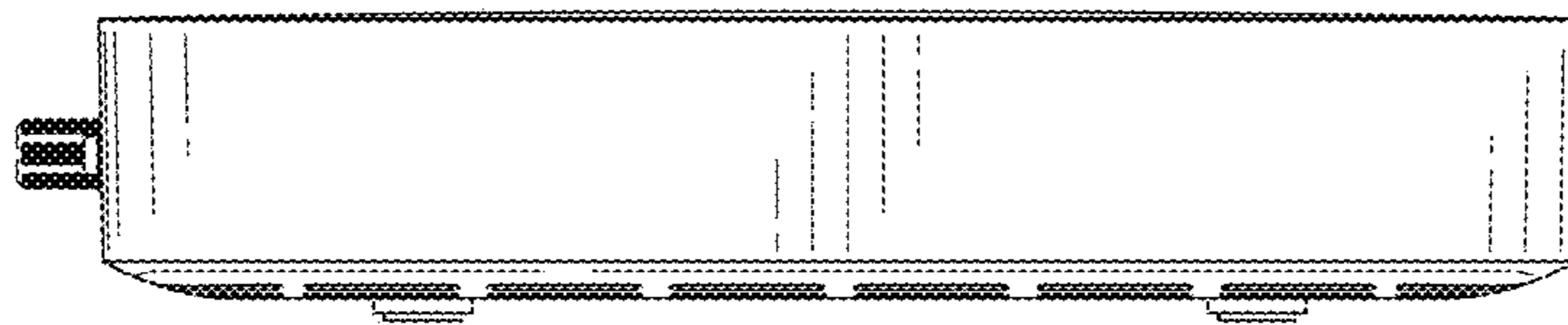


FIG. 8

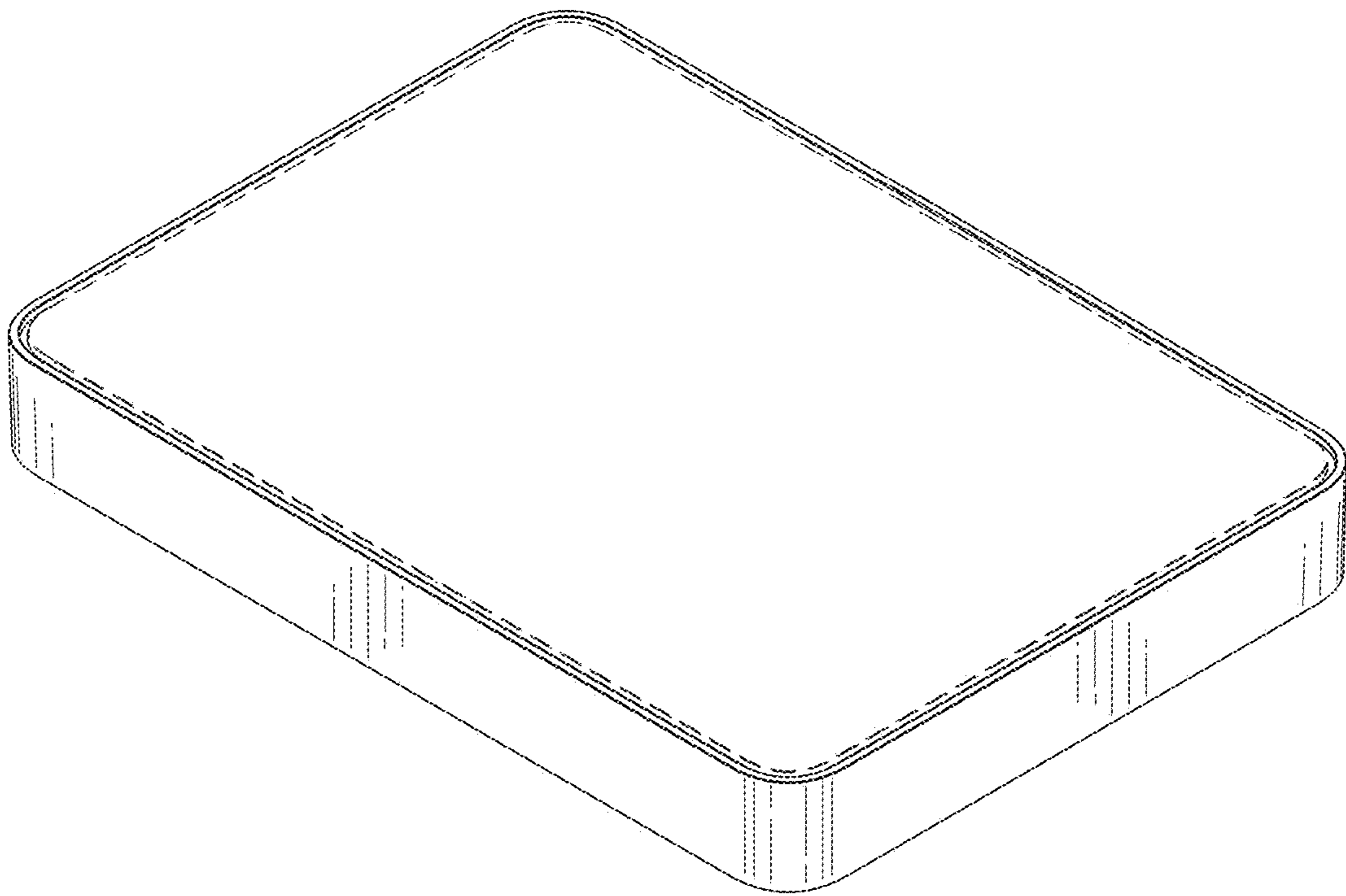


FIG. 9

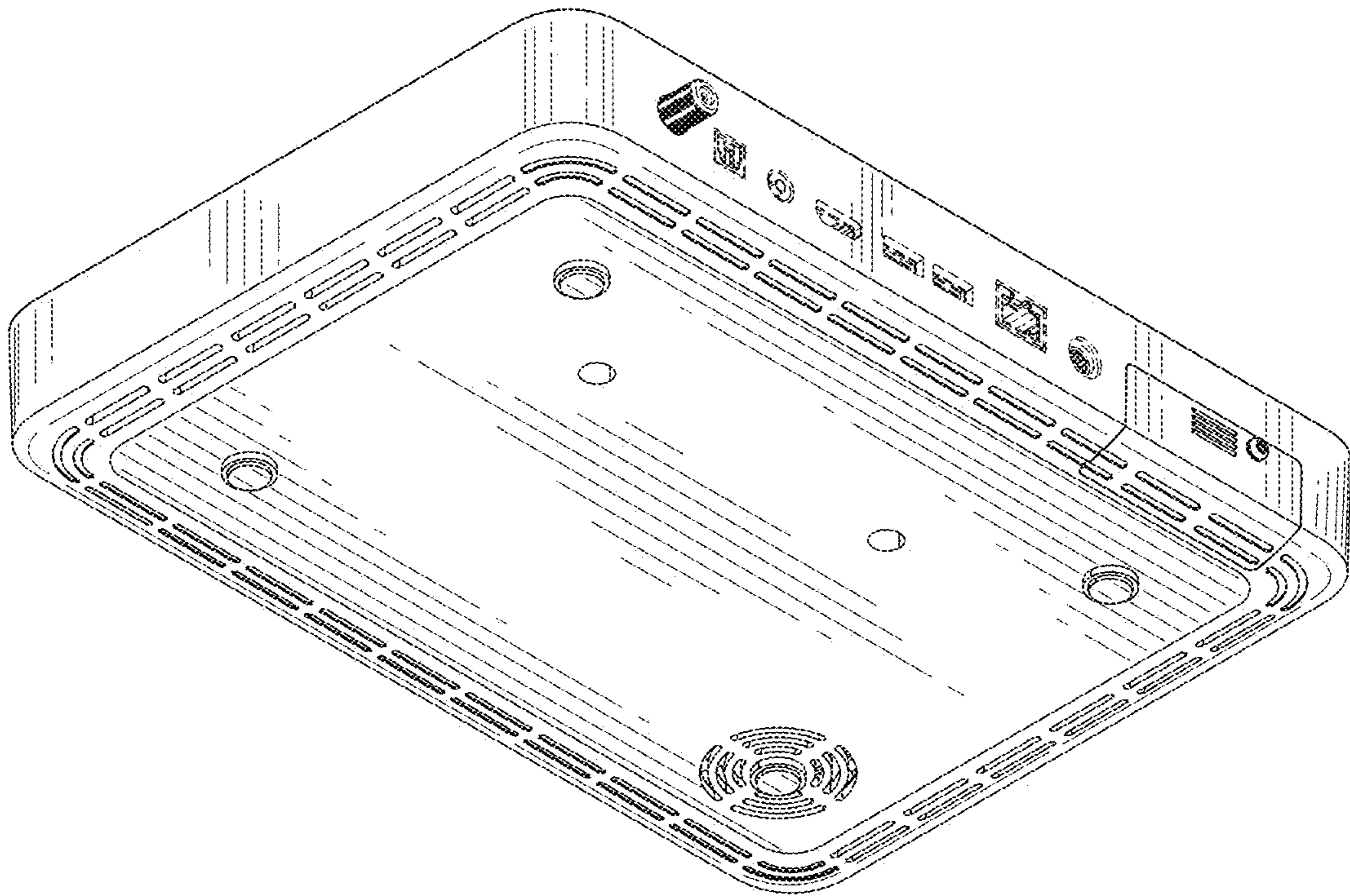


FIG. 10

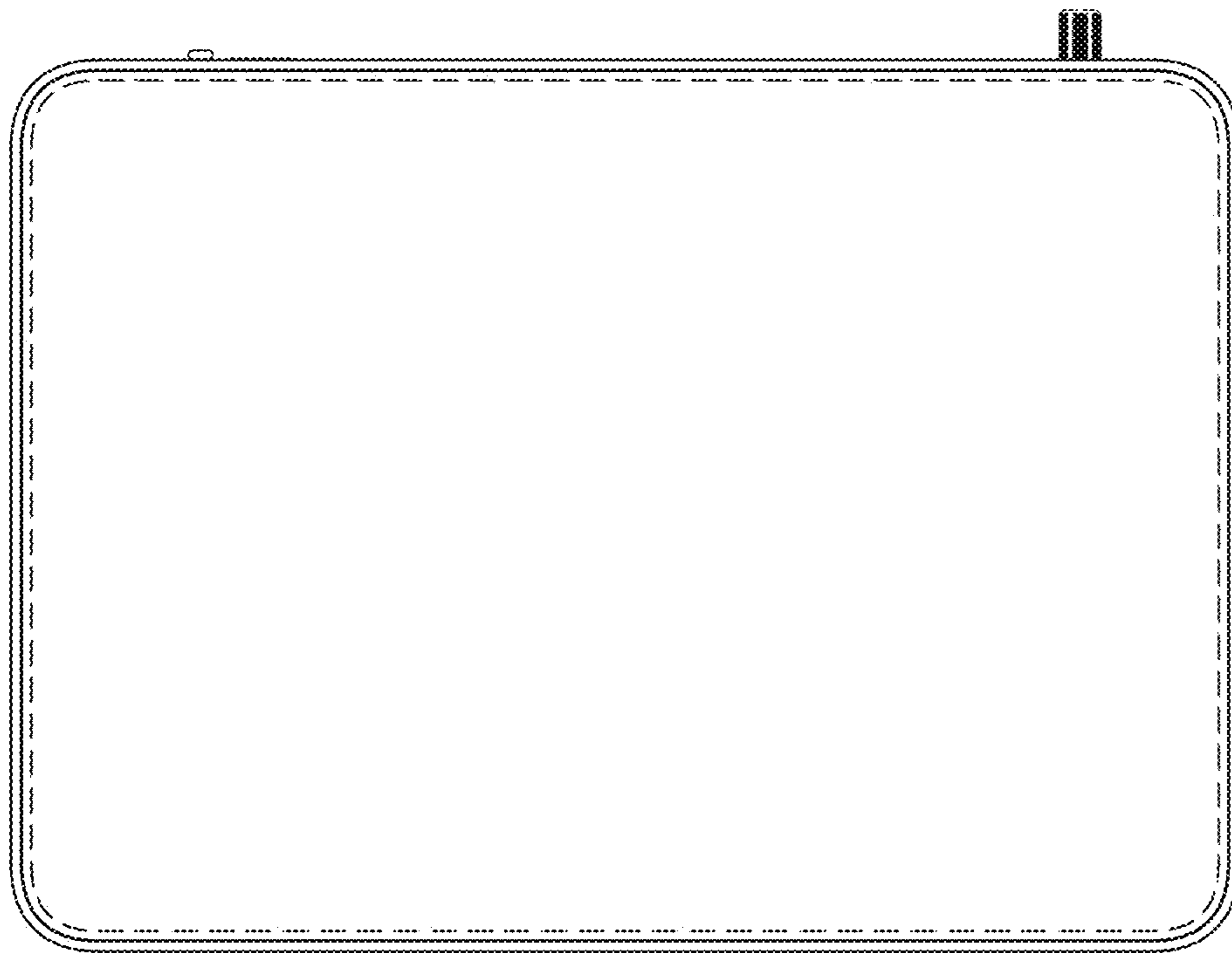


FIG. 11

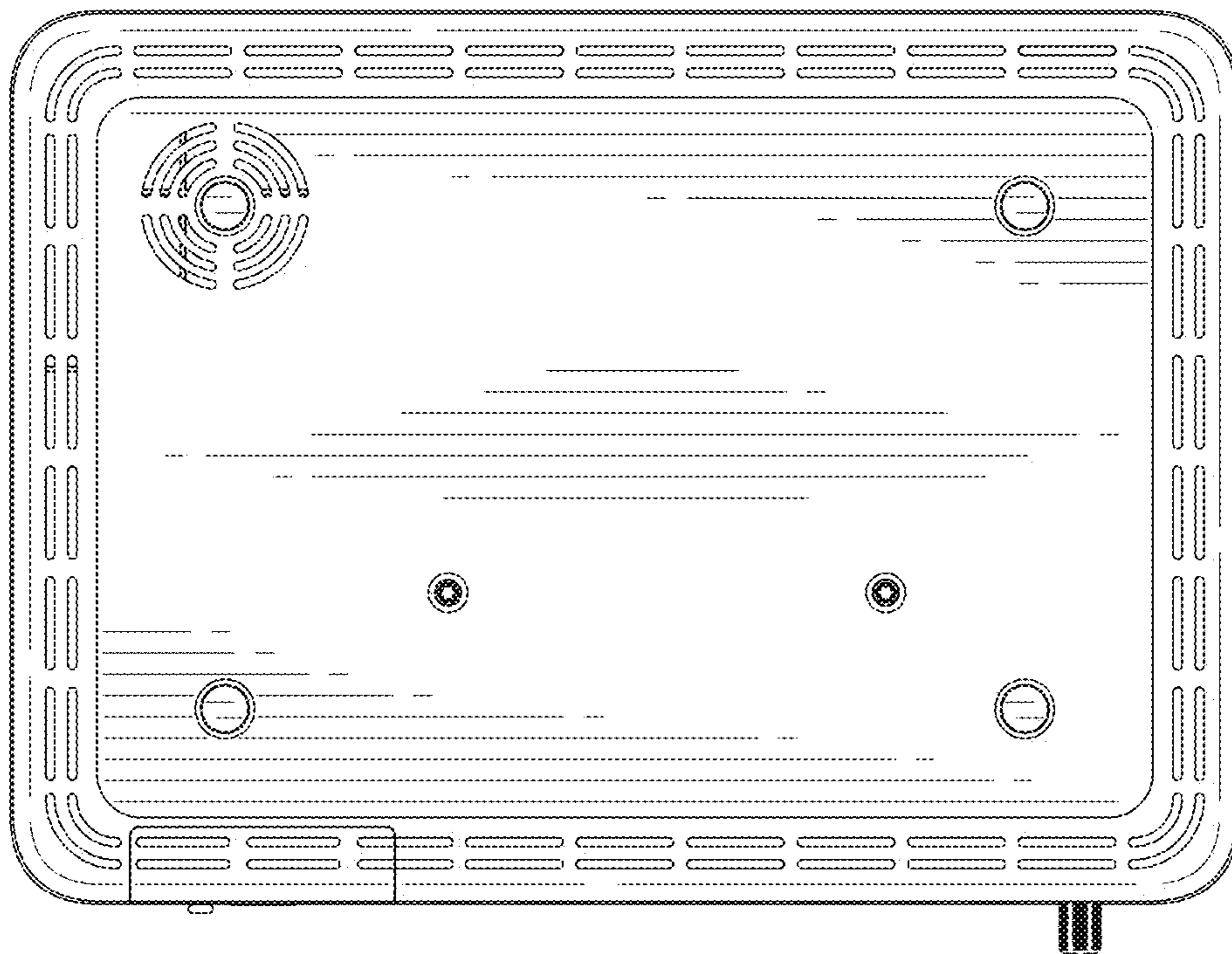


FIG. 12

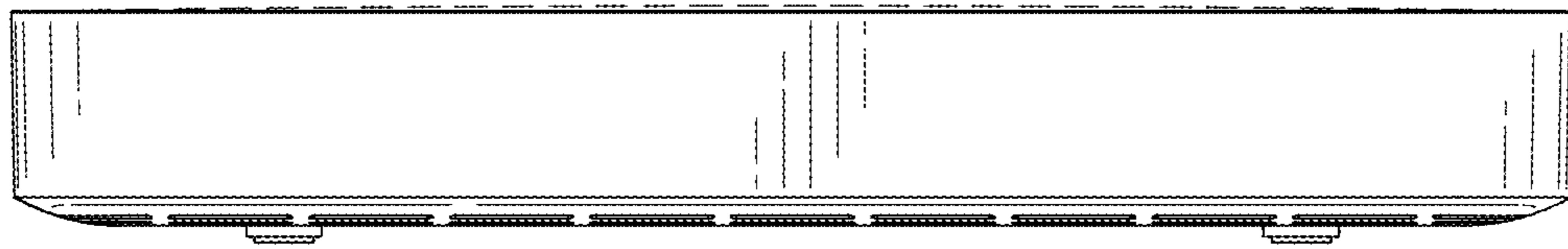


FIG. 13

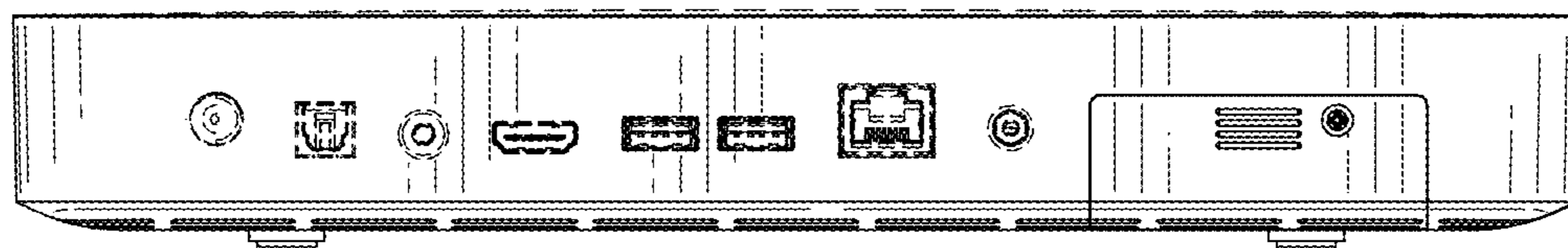


FIG. 14

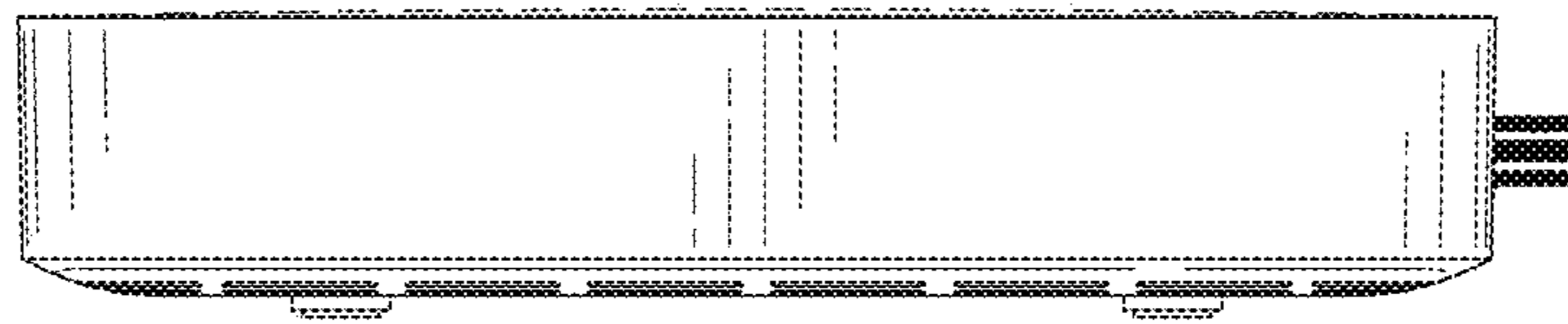


FIG. 15

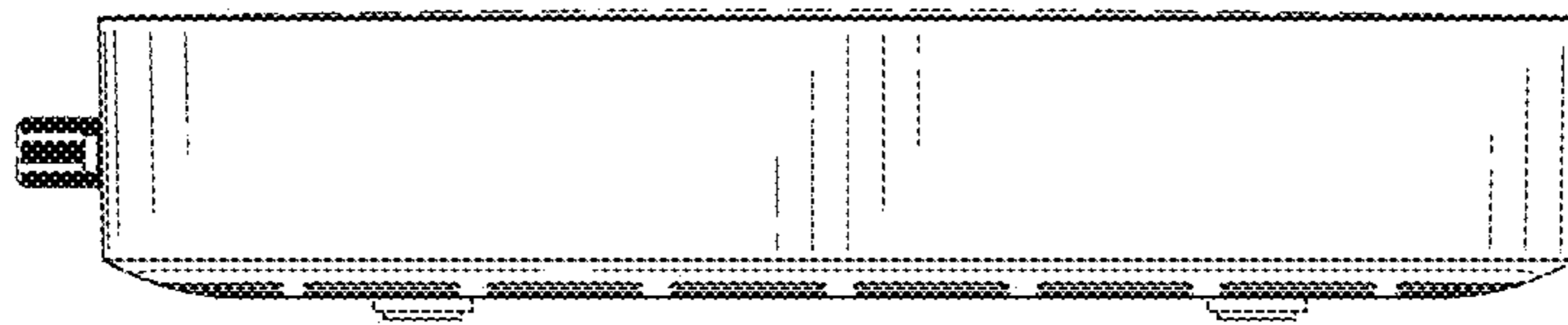


FIG. 16