



US00D970483S

(12) **United States Design Patent** (10) **Patent No.:** **US D970,483 S**  
**Mai** (45) **Date of Patent:** **\*\* Nov. 22, 2022**

(54) **MICROPHONE STAND**

FOREIGN PATENT DOCUMENTS

(71) Applicant: **SHENZHEN XUNWEIJIA TECHNOLOGY DEVELOPMENT CO., LTD.**, Shenzhen (CN)

KR 301161634.0000 \* 4/2022  
WO WO-2007042024 A1 \* 4/2007 ..... H04R 1/026

(72) Inventor: **Qibin Mai**, Shenzhen (CN)

OTHER PUBLICATIONS

(73) Assignee: **SHENZHEN XUNWEIJIA TECHNOLOGY DEVELOPMENT CO., LTD.**, Shenzhen (CN)

Gator desktop mic stand, B n H website reviews Jan. 19, 2021, site visited Sep. 6, 2022, [https://www.bhphotovideo.com/c/product/1536480-REG/gator\\_cases\\_gfwmicbcm3000\\_deluxe\\_frameworks\\_desktop\\_mic.html/reviews](https://www.bhphotovideo.com/c/product/1536480-REG/gator_cases_gfwmicbcm3000_deluxe_frameworks_desktop_mic.html/reviews).\*

(\*\*) Term: **15 Years**

Primary Examiner — John R Yeh

(21) Appl. No.: **29/828,534**

(74) Attorney, Agent, or Firm — True Shepherd, LLC; Andrew Cheng

(22) Filed: **Feb. 27, 2022**

(51) **LOC (13) Cl.** ..... **14-01**

(52) **U.S. Cl.**  
USPC ..... **D14/229**

(57) **CLAIM**

(58) **Field of Classification Search**  
USPC ..... D14/225–229; D26/63  
CPC ..... H04R 19/04; H04R 1/025; H04R 1/04;  
H04R 11/04; F16M 11/2042; F16M  
11/041; F16M 11/28

The ornamental design for a microphone stand, as shown and described.

See application file for complete search history.

**DESCRIPTION**

(56) **References Cited**

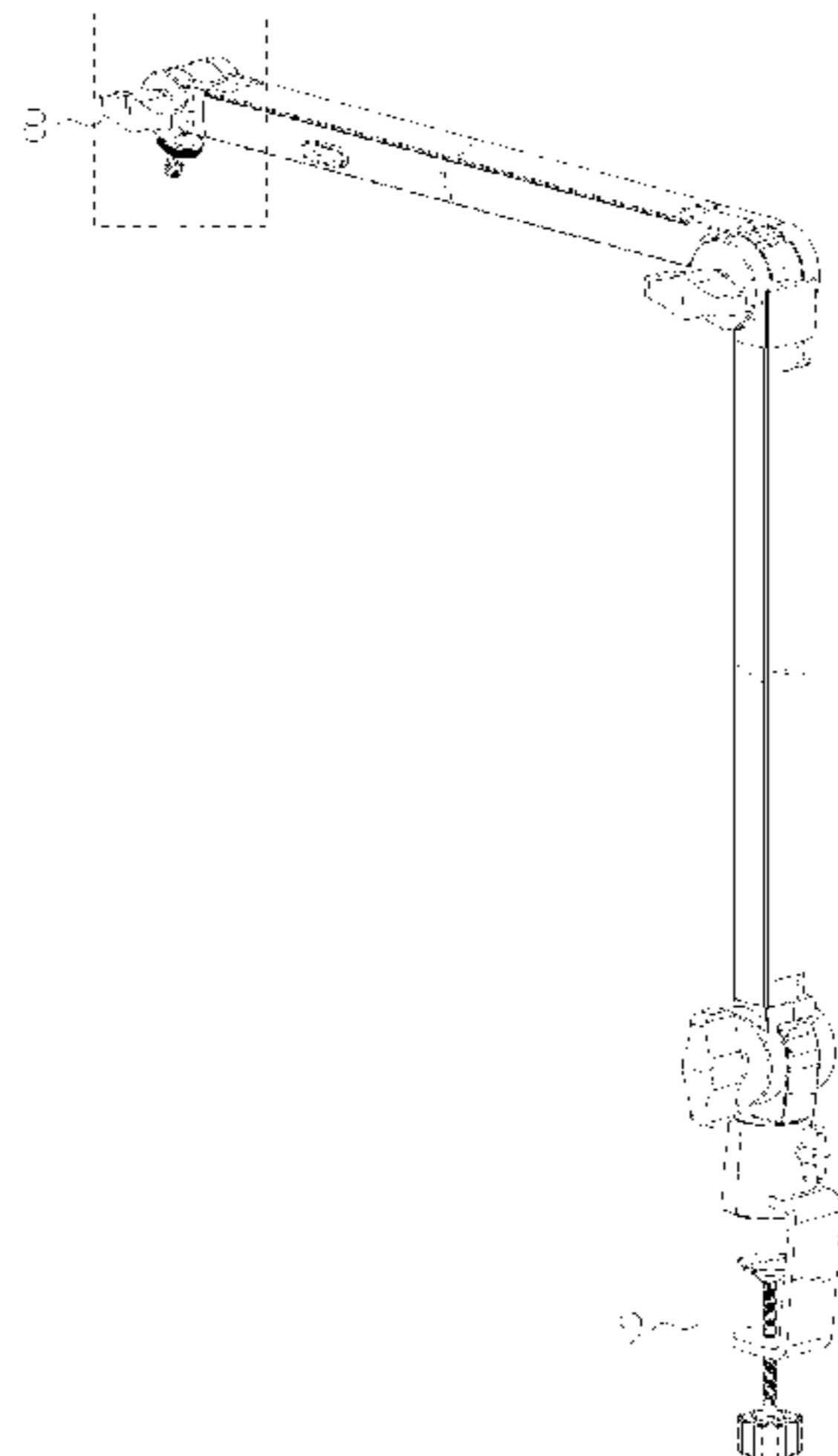
U.S. PATENT DOCUMENTS

D252,511 S \* 7/1979 Genz ..... D14/229  
D262,535 S \* 1/1982 Fisher ..... D14/229  
D510,451 S \* 10/2005 Marchand ..... D26/65  
D559,431 S \* 1/2008 Mota Veiga ..... D26/118  
D687,421 S \* 8/2013 Slaton ..... D14/229  
D744,140 S \* 11/2015 Ng ..... D26/63  
9,516,400 B1 \* 12/2016 Roberts ..... F16M 11/28  
D888,025 S 6/2020 Kanatsu  
D895,584 S \* 9/2020 Sano ..... D14/229  
D929,974 S 9/2021 Suzuki  
D947,433 S \* 3/2022 Jones ..... D26/63  
D952,613 S \* 5/2022 Wu ..... D14/227  
2002/0154789 A1 \* 10/2002 Rodgers ..... F16M 11/041  
381/361  
2006/0120550 A1 \* 6/2006 McCann ..... H04R 1/08  
381/366

FIG. 1 is a front, right and top perspective view of a microphone stand, showing my design.  
FIG. 2 is a front elevation view thereof.  
FIG. 3 is a rear elevation view thereof.  
FIG. 4 is a left side elevation view thereof.  
FIG. 5 is a right side elevation view thereof.  
FIG. 6 is a top plan view thereof.  
FIG. 7 is a bottom plan view thereof.  
FIG. 8 is a partial enlarged view of an area labeled 8 in FIG. 1 comprising an adjusting knob; and,  
FIG. 9 is a partial enlarged view of an area labeled 9 in FIG. 1 comprising a set screw.  
The broken lines in the drawings depict portions of the microphone stand that form no part of the claimed design. In addition, the dot-dash broken lines of the drawings illustrate an enlarged portion of the claimed design.

(Continued)

**1 Claim, 9 Drawing Sheets**



(56)

**References Cited**

U.S. PATENT DOCUMENTS

2011/0108689 A1\* 5/2011 Dorris ..... F16M 11/041  
248/220.21  
2013/0068915 A1\* 3/2013 Yang ..... F16M 11/041  
248/551  
2016/0053934 A1\* 2/2016 Hennessey ..... F16M 11/10  
248/124.2  
2018/0187822 A1\* 7/2018 Yen ..... F16M 13/022  
2019/0316728 A1\* 10/2019 Chance ..... F16M 11/10  
2020/0128962 A1\* 4/2020 Acevedo ..... F16M 11/2021  
2021/0006882 A1\* 1/2021 Athan ..... G05D 1/0094  
2022/0150612 A1\* 5/2022 Wu ..... F16M 11/2042

\* cited by examiner

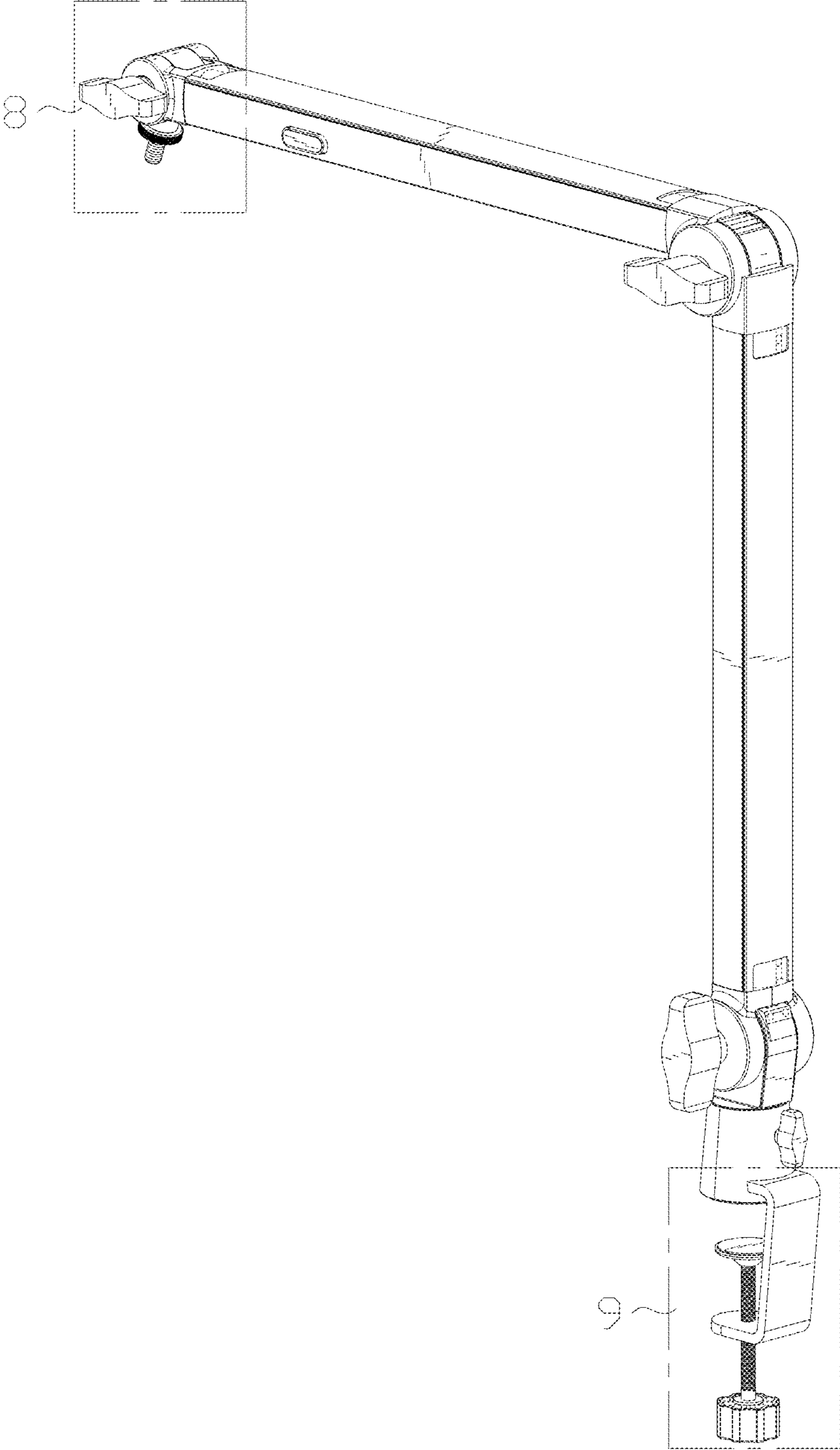


FIG.1

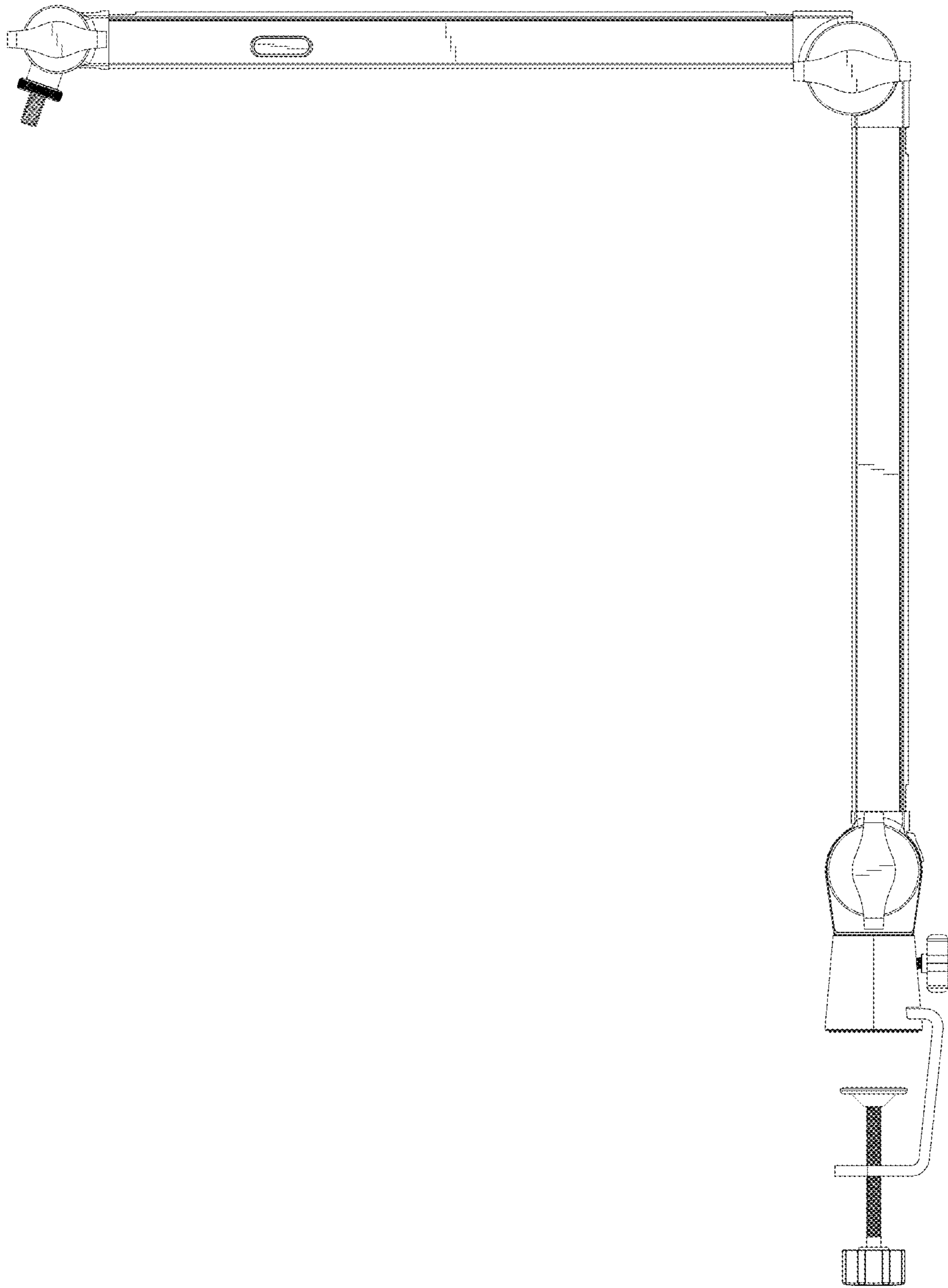


FIG. 2

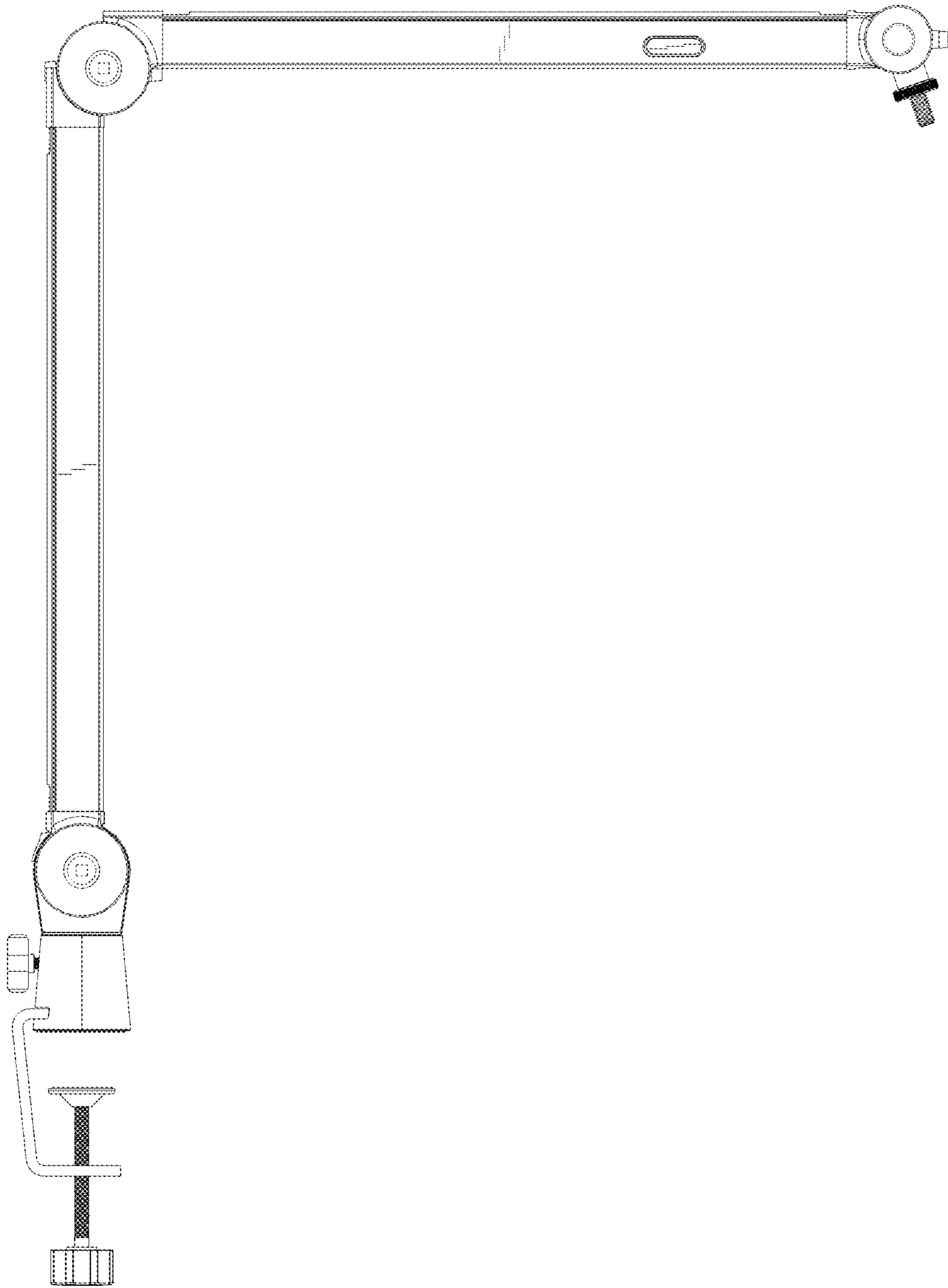


FIG.3

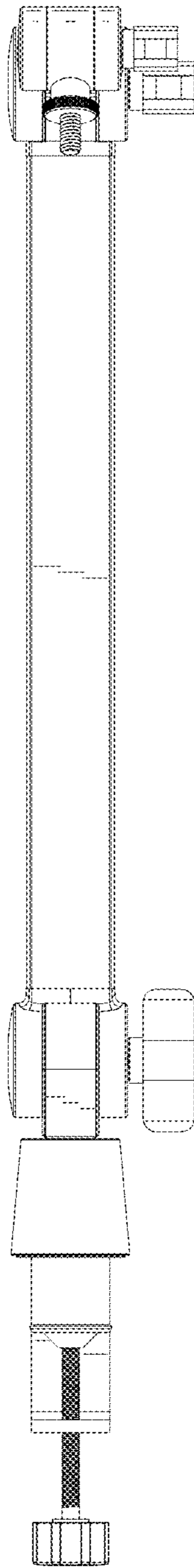


FIG.4

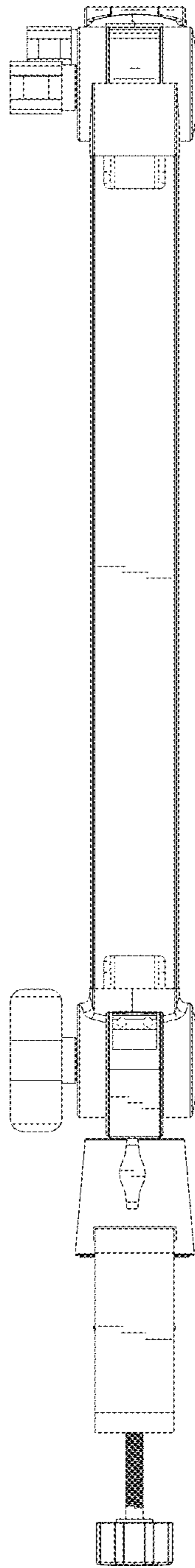


FIG. 5

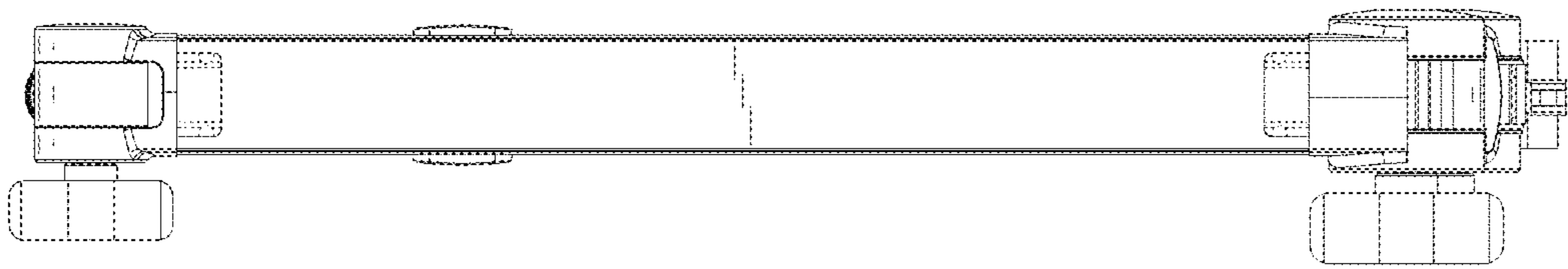


FIG.6



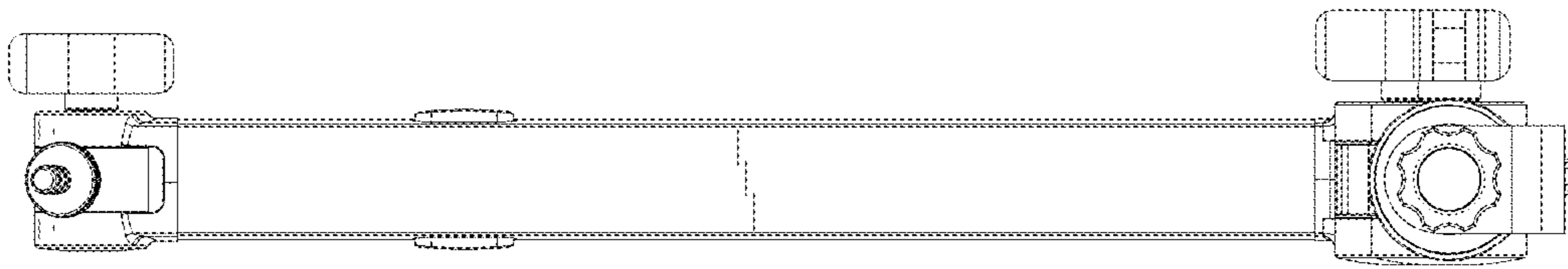


FIG. 7

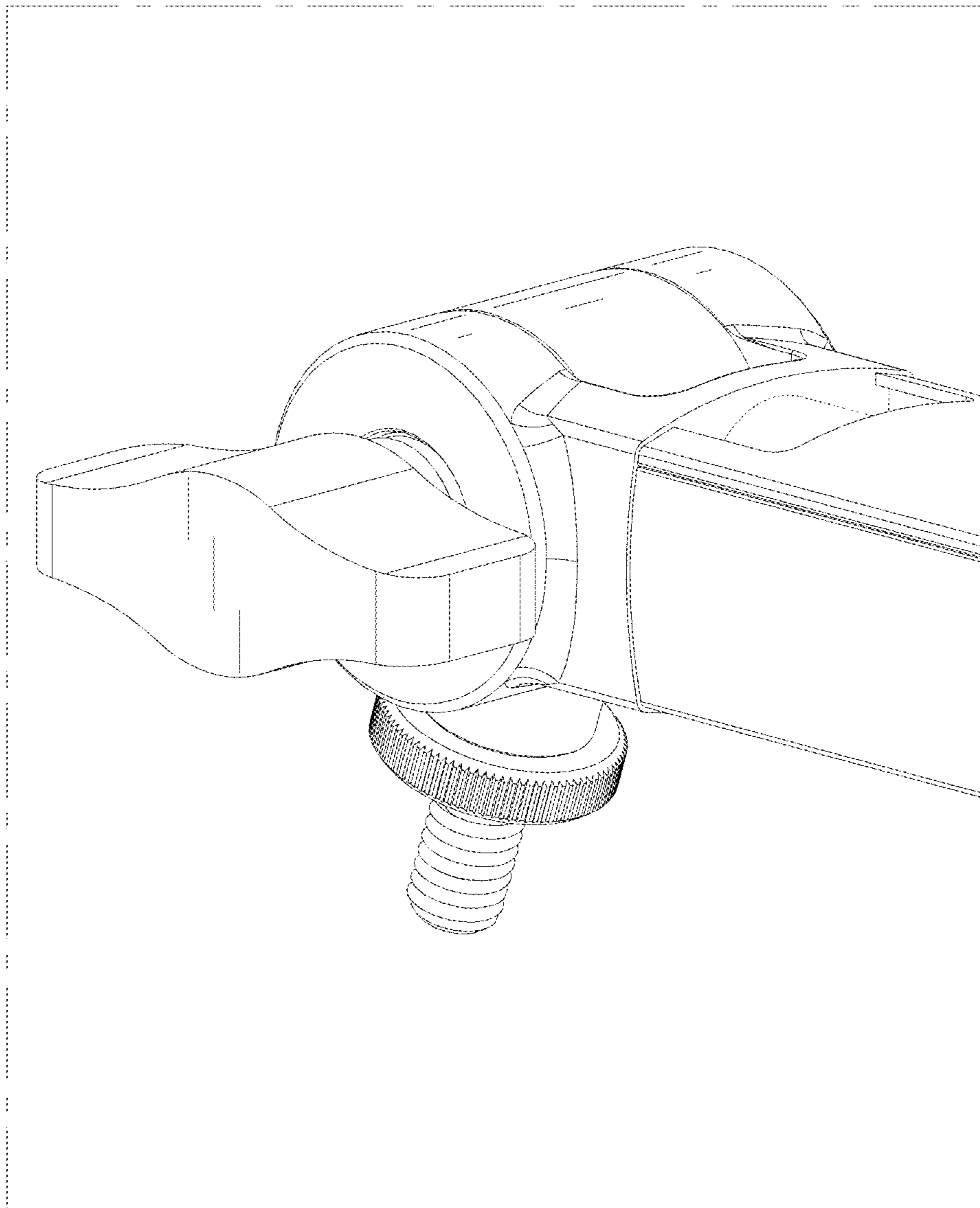


FIG.8

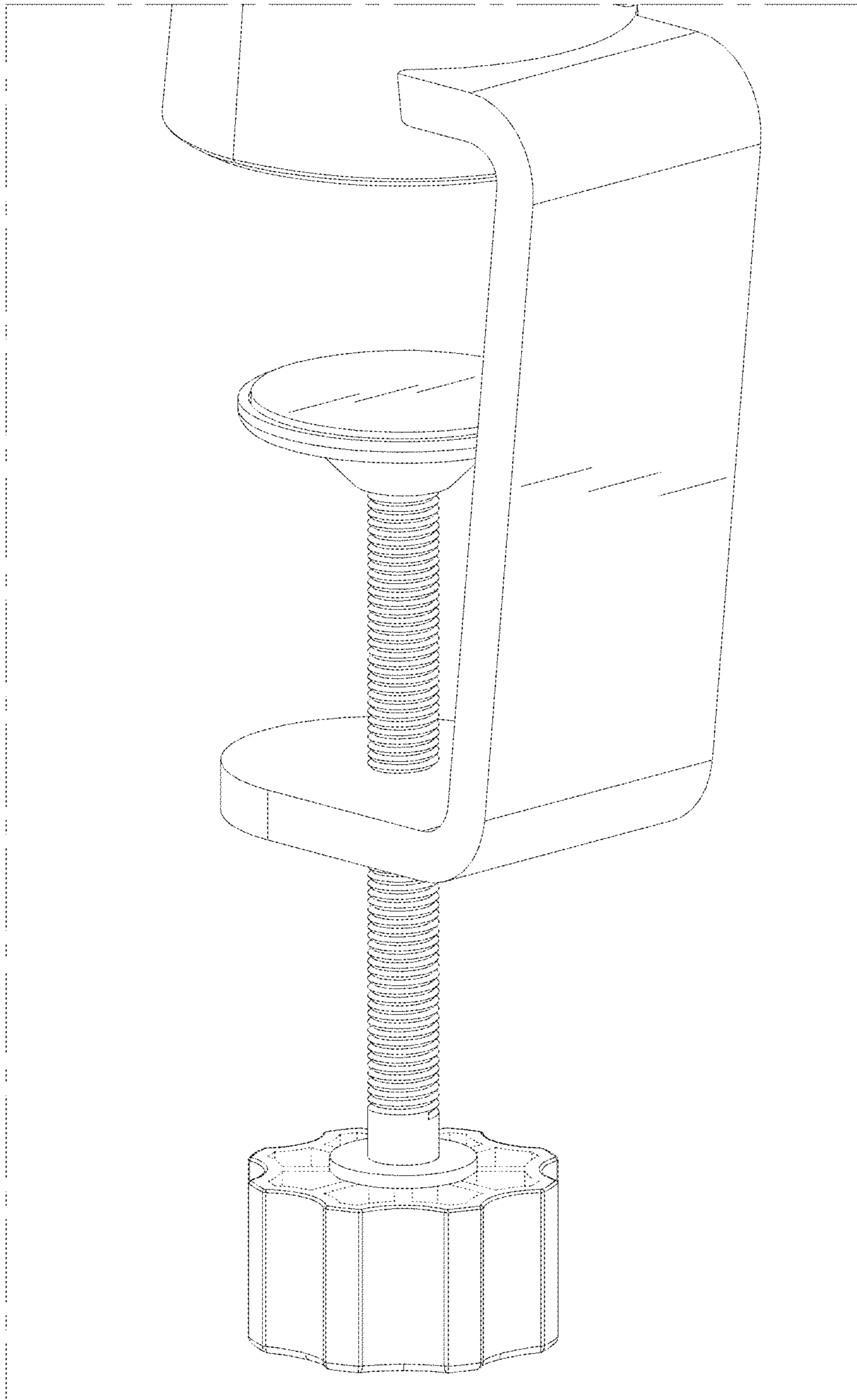


FIG. 9