



US00D970482S

(12) **United States Design Patent** (10) **Patent No.:** **US D970,482 S**
Mai (45) **Date of Patent:** **** Nov. 22, 2022**

(54) **MICROPHONE**
(71) Applicant: **SHENZHEN XUNWEIJIA TECHNOLOGY DEVELOPMENT CO., LTD.**, Shenzhen (CN)
(72) Inventor: **Qibin Mai**, Shenzhen (CN)
(73) Assignee: **SHENZHEN XUNWEIJIA TECHNOLOGY DEVELOPMENT CO., LTD.**, Shenzhen (CN)

D910,605 S * 2/2021 Renwick D14/227
D917,432 S * 4/2021 Mai D14/227
D925,505 S * 7/2021 Wang D14/228
D930,624 S * 9/2021 Renwick D14/227
D931,839 S * 9/2021 Bryant D14/227
D933,640 S * 10/2021 Zhou D14/225
D940,694 S * 1/2022 Wang D14/225
D954,686 S * 6/2022 Chen D14/227
D956,723 S * 7/2022 Chen D14/228

(Continued)

(**) Term: **15 Years**

JP D1704346 * 8/2021

(21) Appl. No.: **29/803,960**

OTHER PUBLICATIONS

(22) Filed: **Aug. 17, 2021**

Neumann TLM 103 mic, Sweetwater website 2022, site visited Aug. 29, 2022, https://www.sweetwater.com/store/detail/TLM103MT--neumann-tlm-103-large-diaphragm-condenser-microphone-matte-black.*

(51) **LOC (13) Cl.** **14-01**

(52) **U.S. Cl.**
USPC **D14/228**

(58) **Field of Classification Search**
USPC D14/225–229
CPC H04R 19/04; H04R 1/025; H04R 1/04;
H04R 11/04
See application file for complete search history.

Primary Examiner — John R Yeh
(74) *Attorney, Agent, or Firm* — ScienBiziP, P.C.

(57) **CLAIM**

The ornamental design for a microphone, as shown and described.

(56) **References Cited**

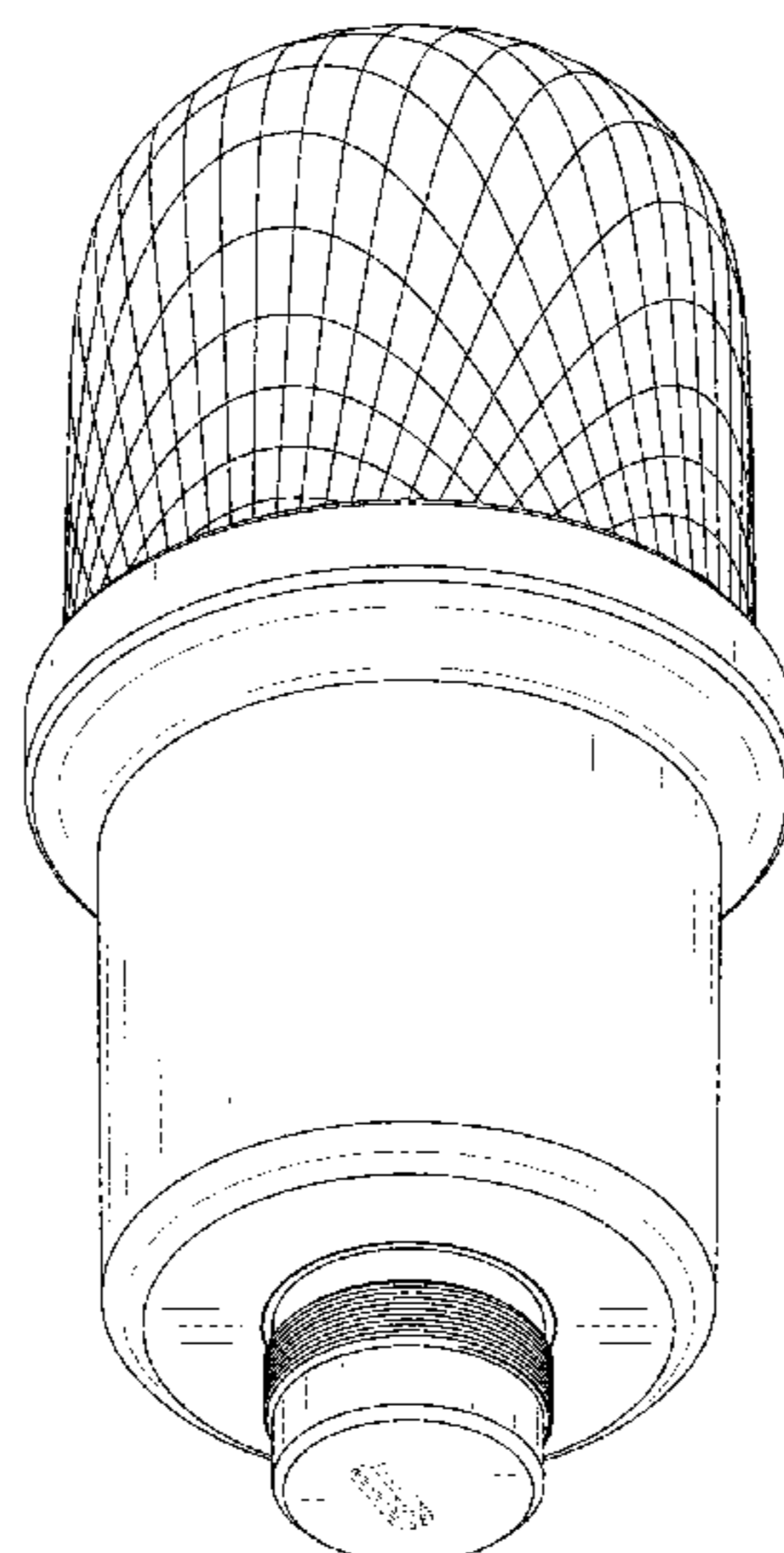
U.S. PATENT DOCUMENTS

D292,701 S * 11/1987 Drever D14/228
5,357,577 A * 10/1994 Waji H01J 7/24
381/115
D504,126 S * 4/2005 Saulespurens D14/228
D516,546 S * 3/2006 Sobol D14/228
D604,274 S * 11/2009 Durrett D14/228
D717,170 S * 11/2014 Tan D9/600
D719,140 S * 12/2014 Sanhui D14/225
D747,296 S * 1/2016 Wise D14/227
D834,005 S 11/2018 Sunwoo et al.
D835,612 S * 12/2018 Tong D14/225
D849,721 S * 5/2019 Chen D14/227
D850,423 S * 6/2019 Chen D14/227
D868,754 S * 12/2019 Chou D14/225
D880,453 S * 4/2020 Walcott D14/228
D895,583 S 9/2020 Smith et al.

DESCRIPTION

FIG. 1 is a front, right, and bottom perspective view of a microphone, showing my design.
FIG. 2 is a front elevation view thereof.
FIG. 3 is a rear elevation view thereof.
FIG. 4 is a left side elevation view thereof.
FIG. 5 is a right side elevation view thereof.
FIG. 6 is a top plan view thereof; and,
FIG. 7 is a bottom plan view thereof.
The broken lines shown in the drawings are included for the purpose of illustrating portions of the microphone that form no part of the claimed design.

1 Claim, 7 Drawing Sheets



(56)

References Cited

U.S. PATENT DOCUMENTS

2010/0208929 A1* 8/2010 Heil H04R 11/04
381/355
2012/0114146 A1* 5/2012 Shimura H04R 19/016
381/174
2017/0171670 A1* 6/2017 Akino H04R 1/04

* cited by examiner

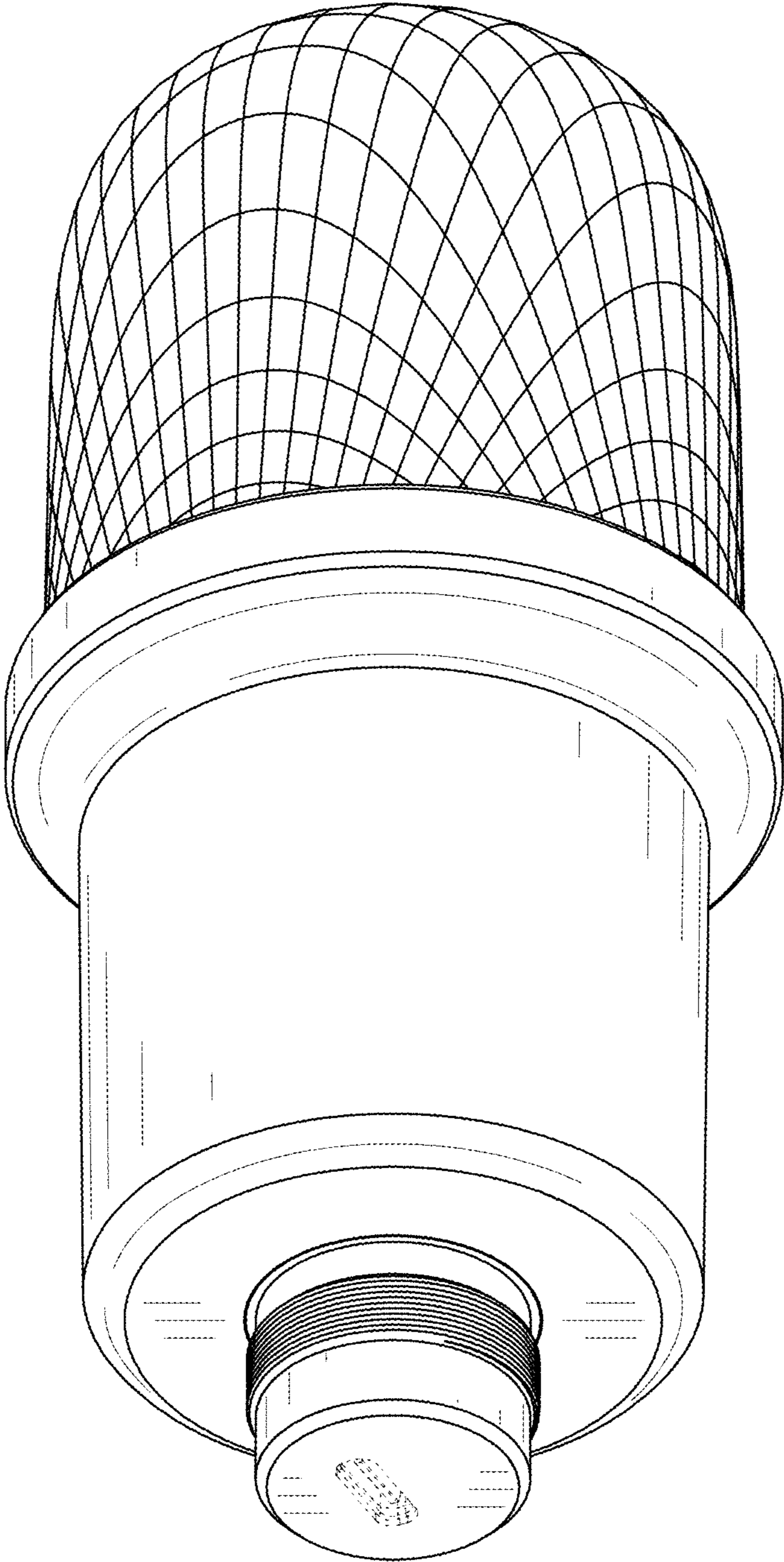


FIG. 1

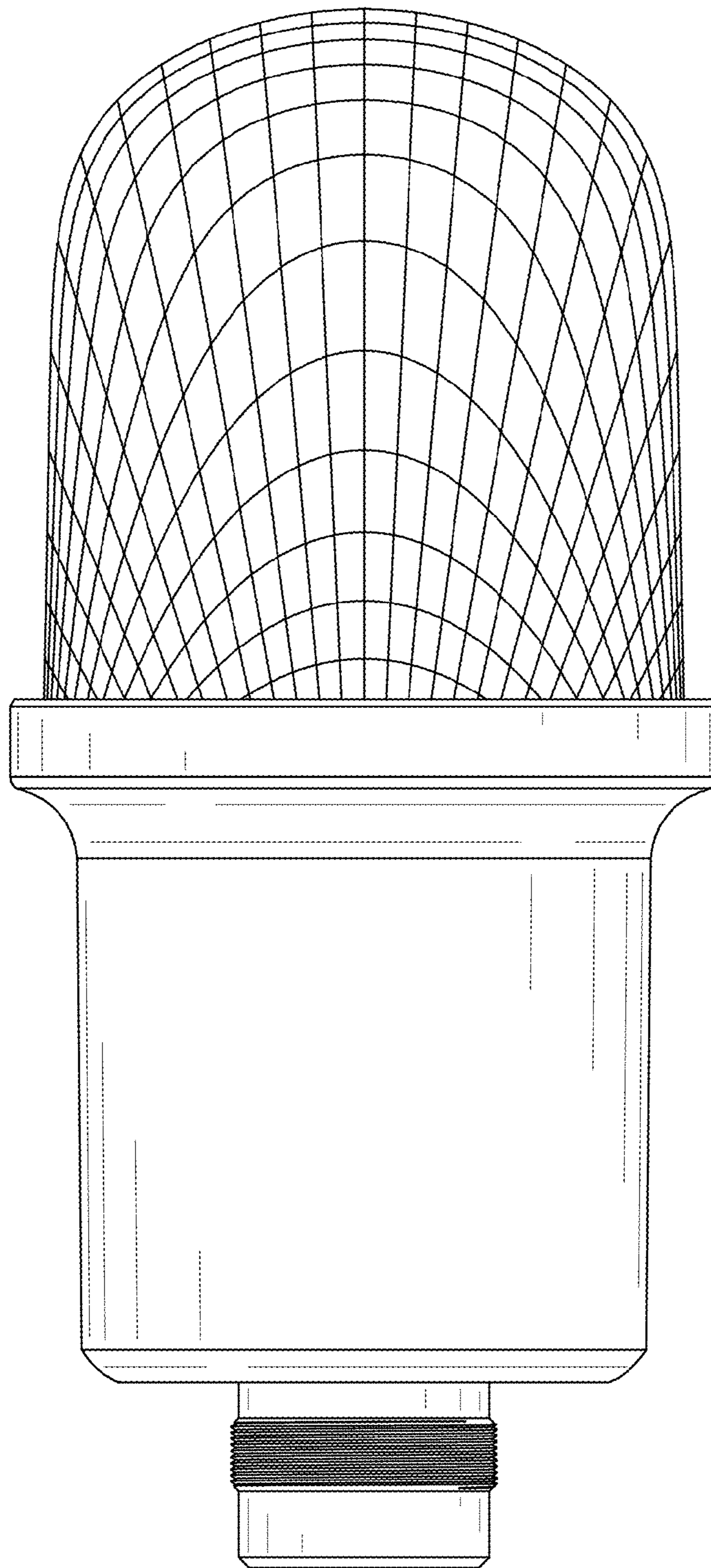


FIG.2

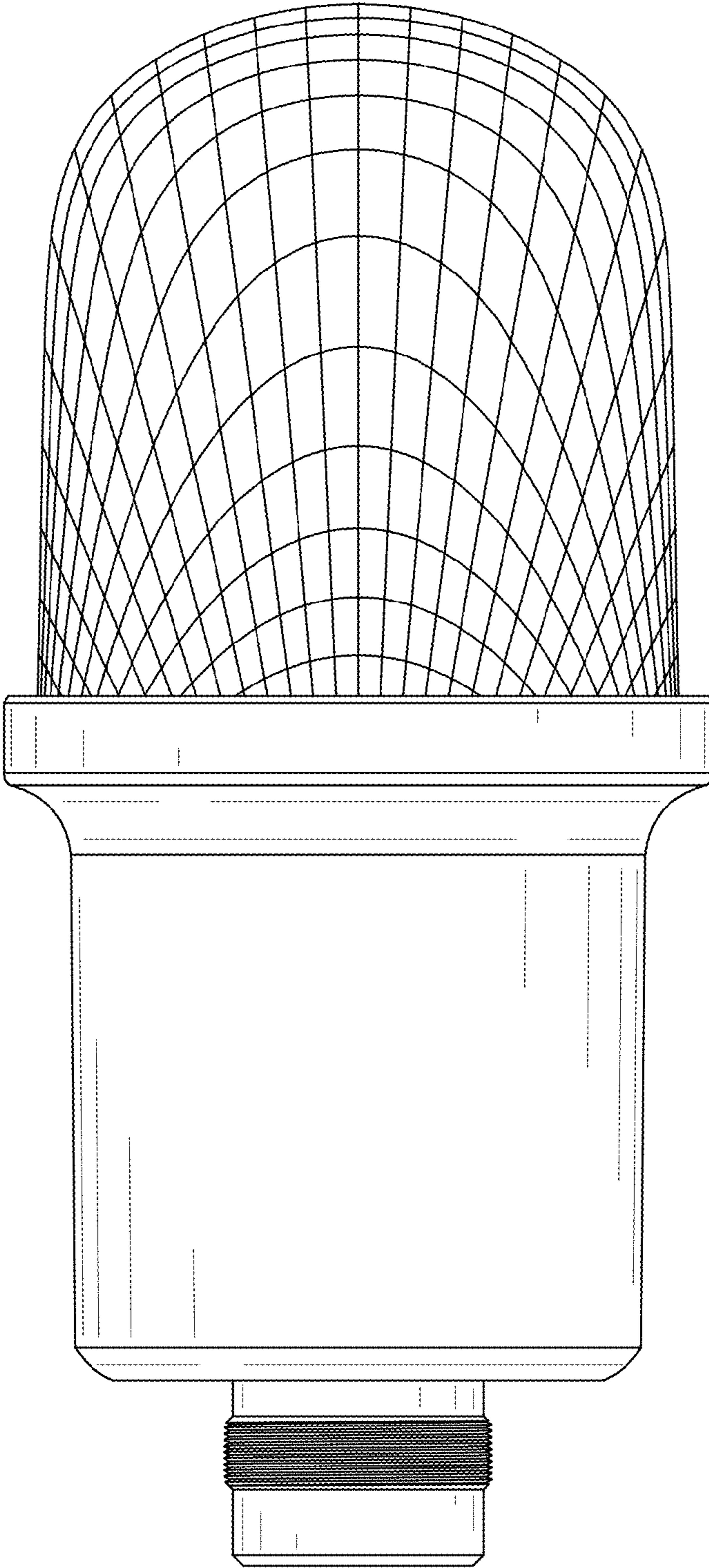


FIG.3

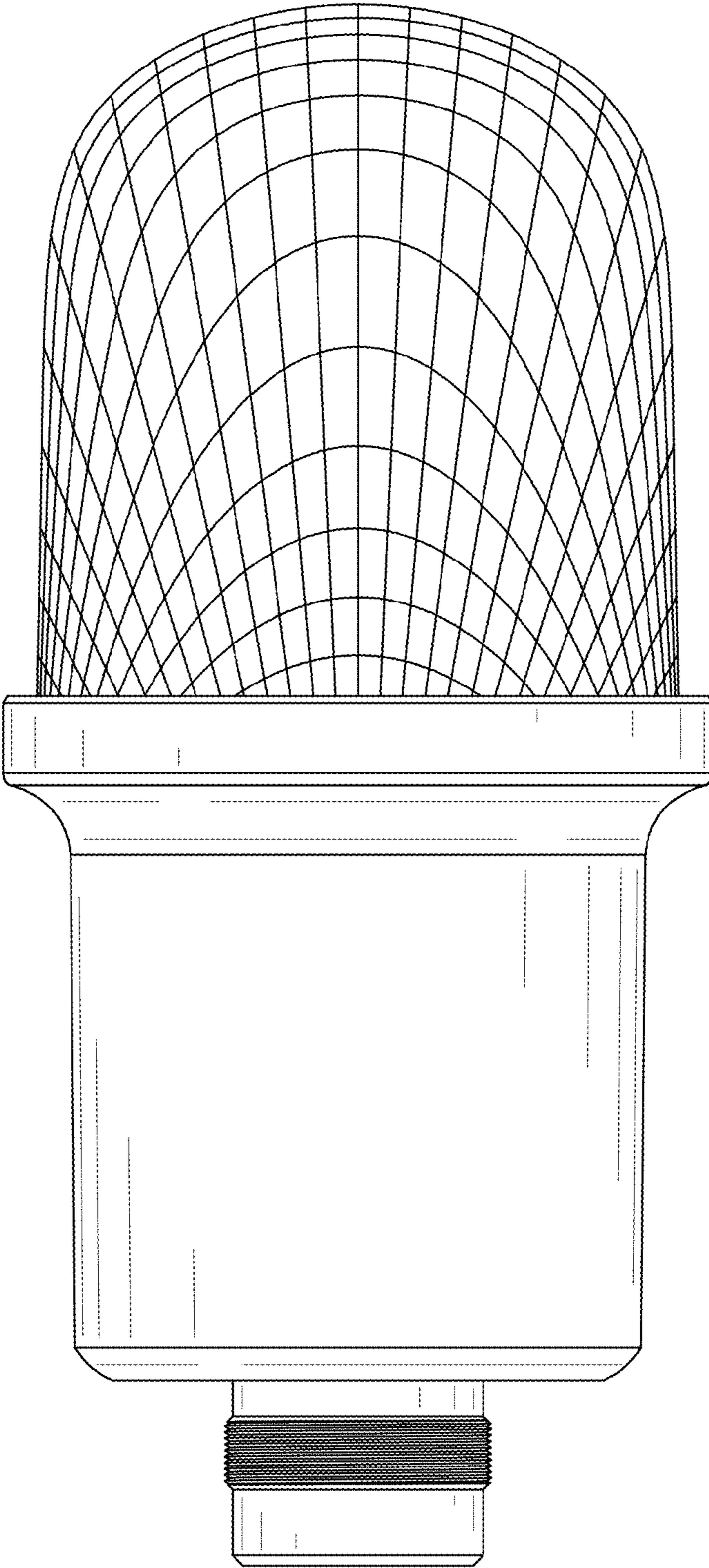


FIG.4

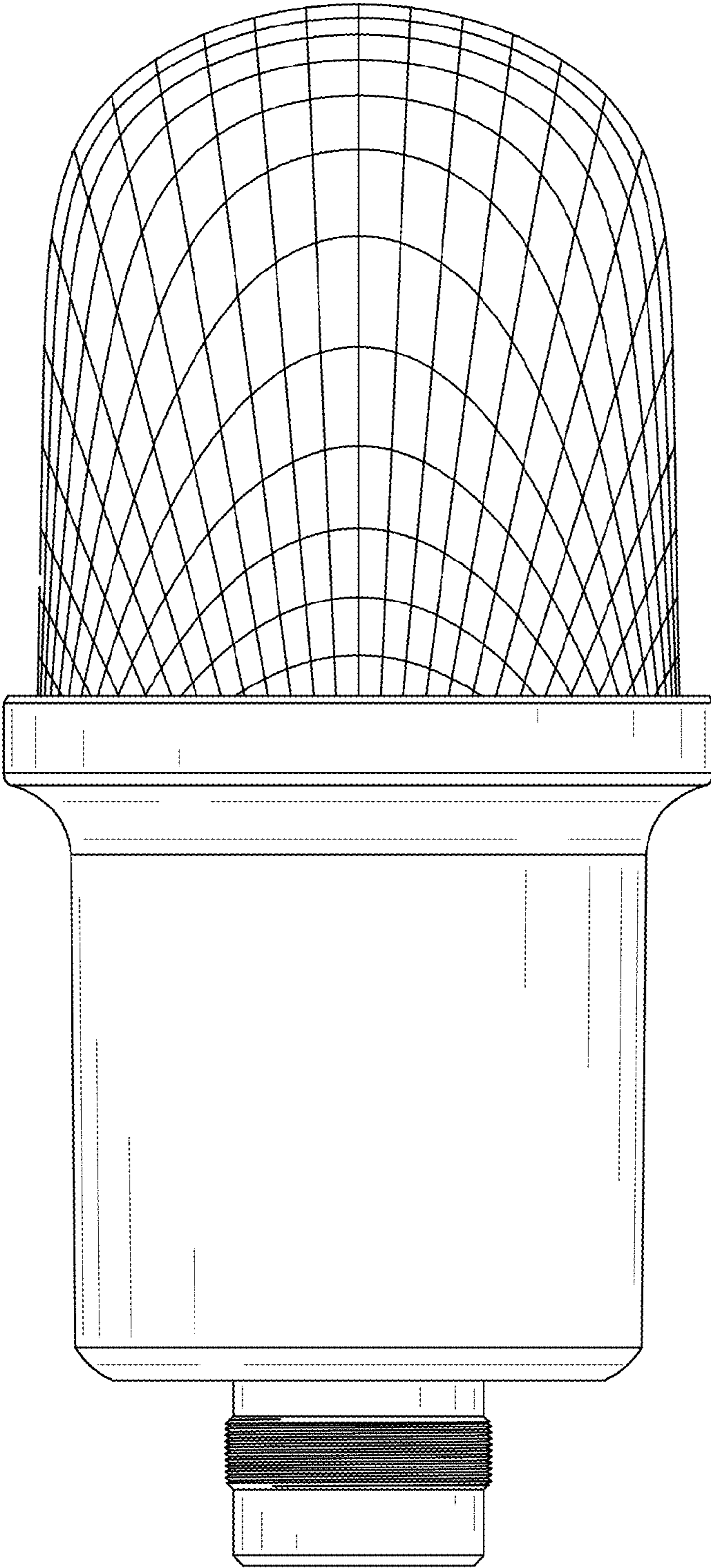


FIG. 5

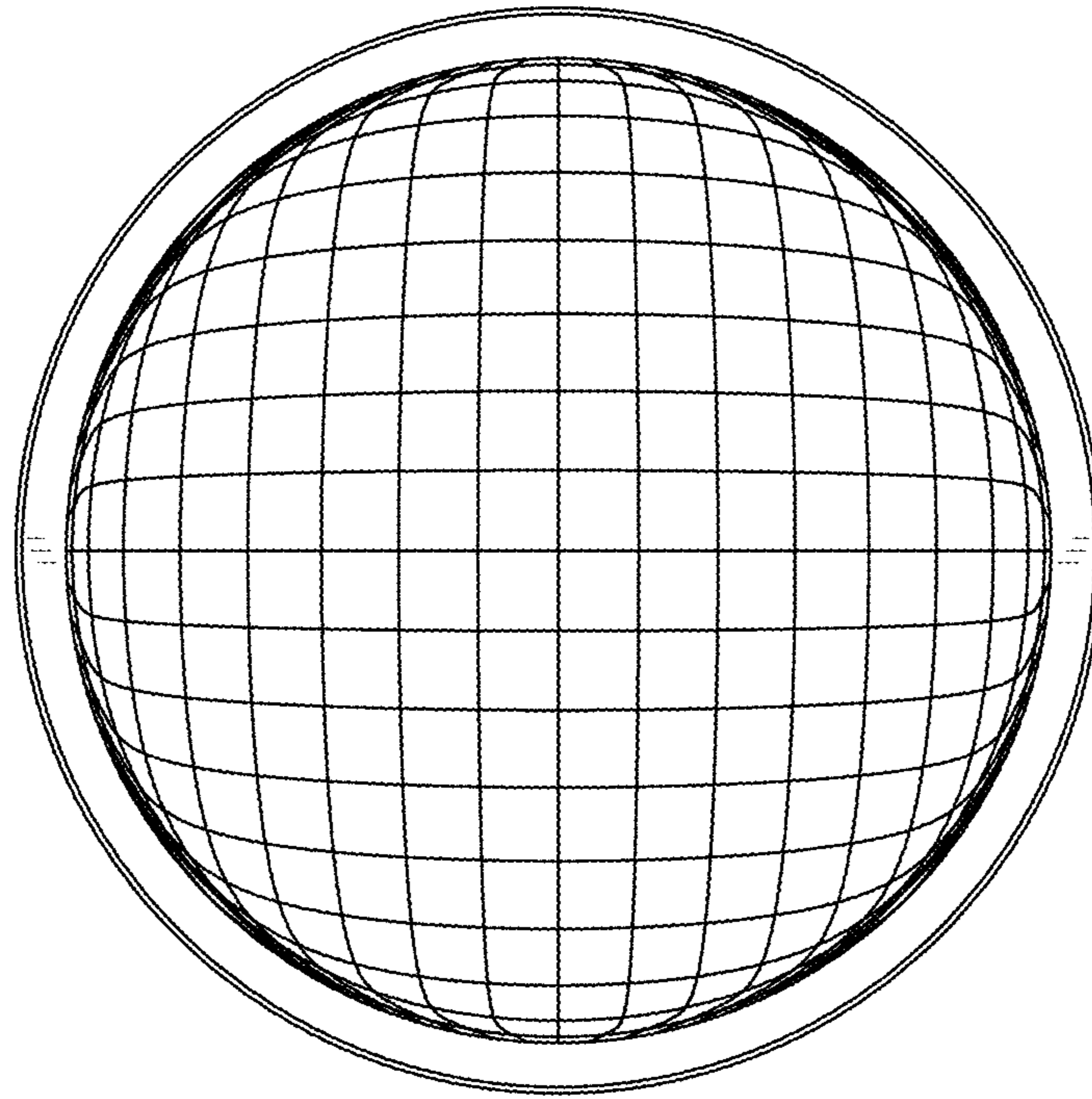


FIG.6

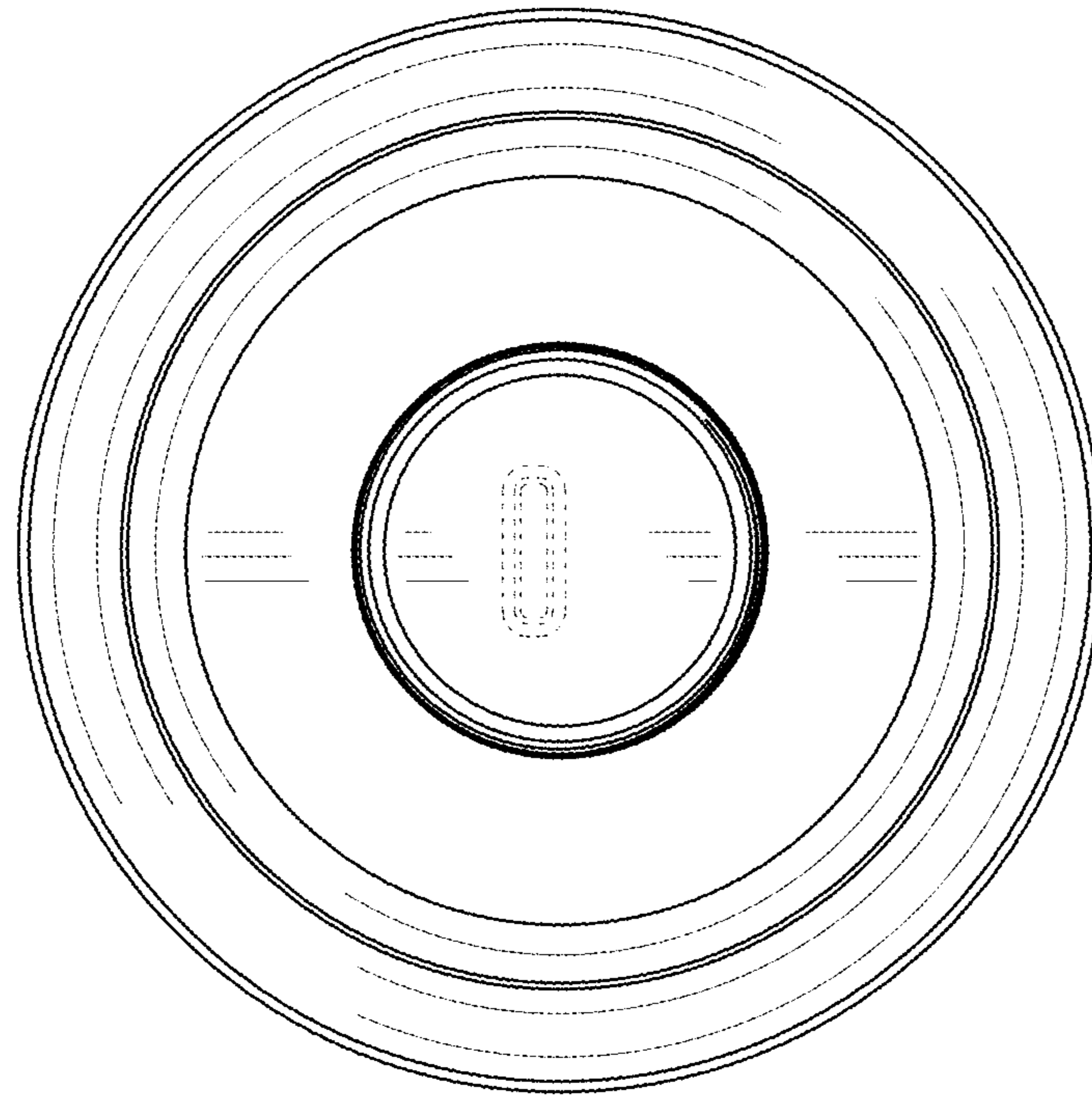


FIG. 7