



US00D970481S

(12) **United States Design Patent**
Chen

(10) **Patent No.:** **US D970,481 S**

(45) **Date of Patent:** **** Nov. 22, 2022**

(54) **RECORDING MICROPHONE ISOLATION SHIELD**

(71) Applicant: **Qingxian Chen**, Putian (CN)

(72) Inventor: **Qingxian Chen**, Putian (CN)

(**) Term: **15 Years**

(21) Appl. No.: **29/799,195**

(22) Filed: **Jul. 13, 2021**

(51) **LOC (13) Cl.** **14-01**

(52) **U.S. Cl.**
USPC **D14/227**; D14/229

(58) **Field of Classification Search**
USPC D14/227, 225, 226, 229; D6/309,
D6/708.25, 701, 592; D26/140, 66;
D16/244; 248/265, 183, 460-462;
52/145; D12/203
CPC . H04R 25/00; H04R 1/02; H04R 9/06; H04R
9/08; H04R 1/08; H04R 1/20; G10K
11/00; G10K 11/16; A47G 5/00; A47B
19/06; A47B 19/00
See application file for complete search history.

(56) **References Cited**

U.S. PATENT DOCUMENTS

- 2,017,122 A * 10/1935 Hanson H04R 1/342
381/160
- D100,928 S * 8/1936 Shure D14/229
- D120,114 S * 4/1940 Waechter D6/701
- 2,467,374 A * 4/1949 Findlater G01P 5/00
73/170.07
- 2,476,239 A * 7/1949 Duncan G01B 5/0004
33/832
- 3,064,932 A * 11/1962 Holderman F16M 11/28
248/188.5
- 3,113,531 A * 12/1963 Barnard A47B 13/023
108/115
- 3,604,913 A * 9/1971 Crete G03B 15/06
362/8

- 3,730,469 A * 5/1973 Shields A47H 1/12
248/265
- D243,328 S * 2/1977 Kawazoe D16/244
- 4,355,779 A * 10/1982 Heled A47B 19/002
248/460
- D268,458 S * 4/1983 Schoenig D16/244
- 4,515,598 A * 5/1985 Meininger C09B 62/4403
8/918
- D305,026 S * 12/1989 Wolf D14/229
- D324,584 S * 3/1992 Beavers D26/140
- 5,154,381 A * 10/1992 Malinao H04R 1/08
403/299
- 5,636,824 A * 6/1997 Biasini A47B 19/002
248/441.1
- 5,725,927 A * 3/1998 Zilg A47L 13/16
15/209.1

(Continued)

FOREIGN PATENT DOCUMENTS

- CN 306855513 * 9/2021
- CN 306900325 * 10/2021

(Continued)

Primary Examiner — Paula Allen Greene

(74) *Attorney, Agent, or Firm* — Justin Lampel

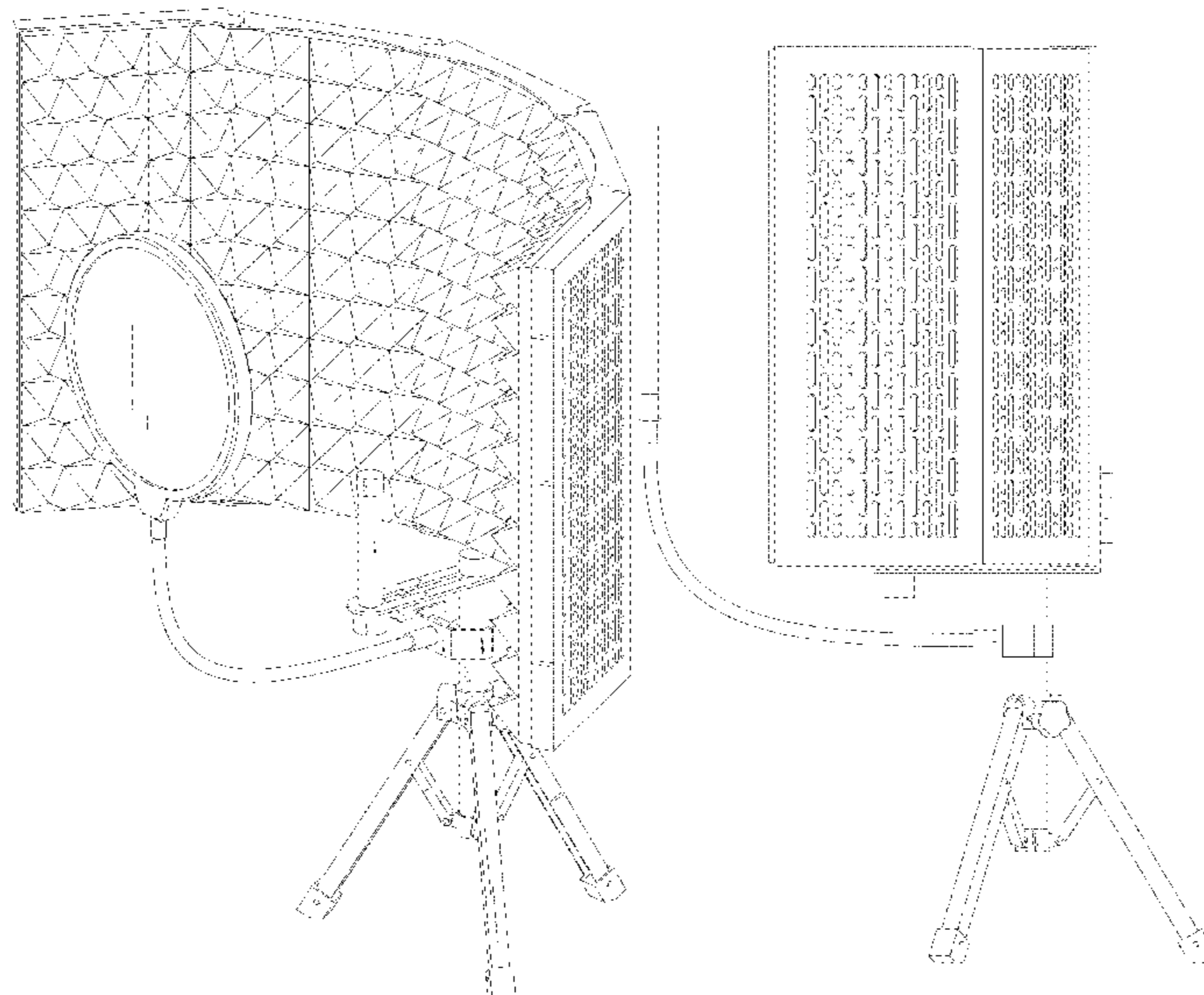
(57) **CLAIM**

The ornamental design for a recording microphone isolation shield, as shown and described.

DESCRIPTION

FIG. 1 is a perspective view of a recording microphone isolation shield showing the claimed design; FIG. 2 is a top plan view thereof; FIG. 3 is a left side view thereof; FIG. 4 is a front elevational view thereof; FIG. 5 is a right side view thereof; FIG. 6 is a rear elevational view thereof; and, FIG. 7 is a bottom plan view thereof.

1 Claim, 7 Drawing Sheets



(56)

References Cited

U.S. PATENT DOCUMENTS

D396,862 S * 8/1998 Morgan D14/225
 D415,805 S * 10/1999 Wygonik D16/244
 5,979,856 A * 11/1999 Hsu A47B 19/002
 248/460
 D423,036 S * 4/2000 Lombardi D17/22
 6,260,812 B1 * 7/2001 Auke A47B 19/08
 248/463
 6,293,328 B1 * 9/2001 Fremont A47G 5/00
 52/36.4
 D450,684 S * 11/2001 Morgan D14/217
 6,323,405 B1 * 11/2001 Yu G10G 5/00
 84/327
 D458,041 S * 6/2002 Couture D6/332
 6,459,802 B1 * 10/2002 Young H04R 1/083
 381/361
 D465,235 S * 11/2002 Heid D17/99
 6,487,298 B1 * 11/2002 Hacker H04R 1/08
 381/387
 D477,930 S * 8/2003 Minus D6/700
 D482,644 S * 11/2003 Meier D12/182
 D525,238 S * 7/2006 Hannapel D14/226
 D536,540 S * 2/2007 Partridge D6/332
 D540,786 S * 4/2007 Hensen D14/228
 D634,957 S * 3/2011 Rosenzweig D6/567
 D643,230 S * 8/2011 Hepeng D6/708.25
 8,191,678 B2 * 6/2012 Zou G10K 11/168
 381/189
 8,251,175 B1 * 8/2012 Englert E04B 9/045
 52/145
 D670,087 S * 11/2012 Walker D6/309
 8,345,911 B2 * 1/2013 Fulks H04R 1/08
 381/361
 8,347,575 B2 * 1/2013 Bierwirth E04F 15/203
 52/145
 8,387,747 B2 * 3/2013 Koike B32B 15/12
 181/290

D704,486 S * 5/2014 Cho D6/708.25
 D721,060 S * 1/2015 Komagamine D14/216
 D723,311 S * 3/2015 Jiang D6/681
 D739,847 S * 9/2015 Mun D14/217
 D782,459 S * 3/2017 Shannon, III D14/250
 D787,481 S * 5/2017 Tyssø D14/229
 D823,825 S * 7/2018 Flores D14/154
 D864,921 S * 10/2019 Mai D14/227
 D865,723 S * 11/2019 Cho H04R 31/00
 D14/209
 D889,443 S * 7/2020 Renwick D14/229
 D899,491 S * 10/2020 Chen D16/244
 D905,022 S * 12/2020 Zheng D14/225
 D910,604 S * 2/2021 Zheng D14/225
 D911,428 S * 2/2021 Xiao D16/244
 D917,604 S * 4/2021 Zeng D16/244
 D929,973 S * 9/2021 Mai D14/227
 D930,886 S * 9/2021 Xiao D16/244
 D942,162 S * 2/2022 Zhang D6/312
 D947,161 S * 3/2022 Chen D14/225
 2002/0104945 A1 * 8/2002 Uchimura H04R 1/08
 248/316.1
 2002/0139066 A1 * 10/2002 Szymanski E04B 1/86
 52/145
 2005/0019531 A1 * 1/2005 Bazbaz B65D 19/44
 428/156
 2013/0001011 A1 * 1/2013 Panosh G10K 11/16
 181/287
 2013/0206501 A1 * 8/2013 Yu E04B 9/045
 181/290
 2017/0070800 A1 * 3/2017 Kauffman H04R 1/086
 2017/0306693 A1 * 10/2017 Potter A47G 5/00
 2020/0250882 A1 * 8/2020 Yang G06T 15/005

FOREIGN PATENT DOCUMENTS

CN 307094652 * 2/2022
 GB 6101980 * 9/2020
 GB 6103945 * 10/2020

* cited by examiner

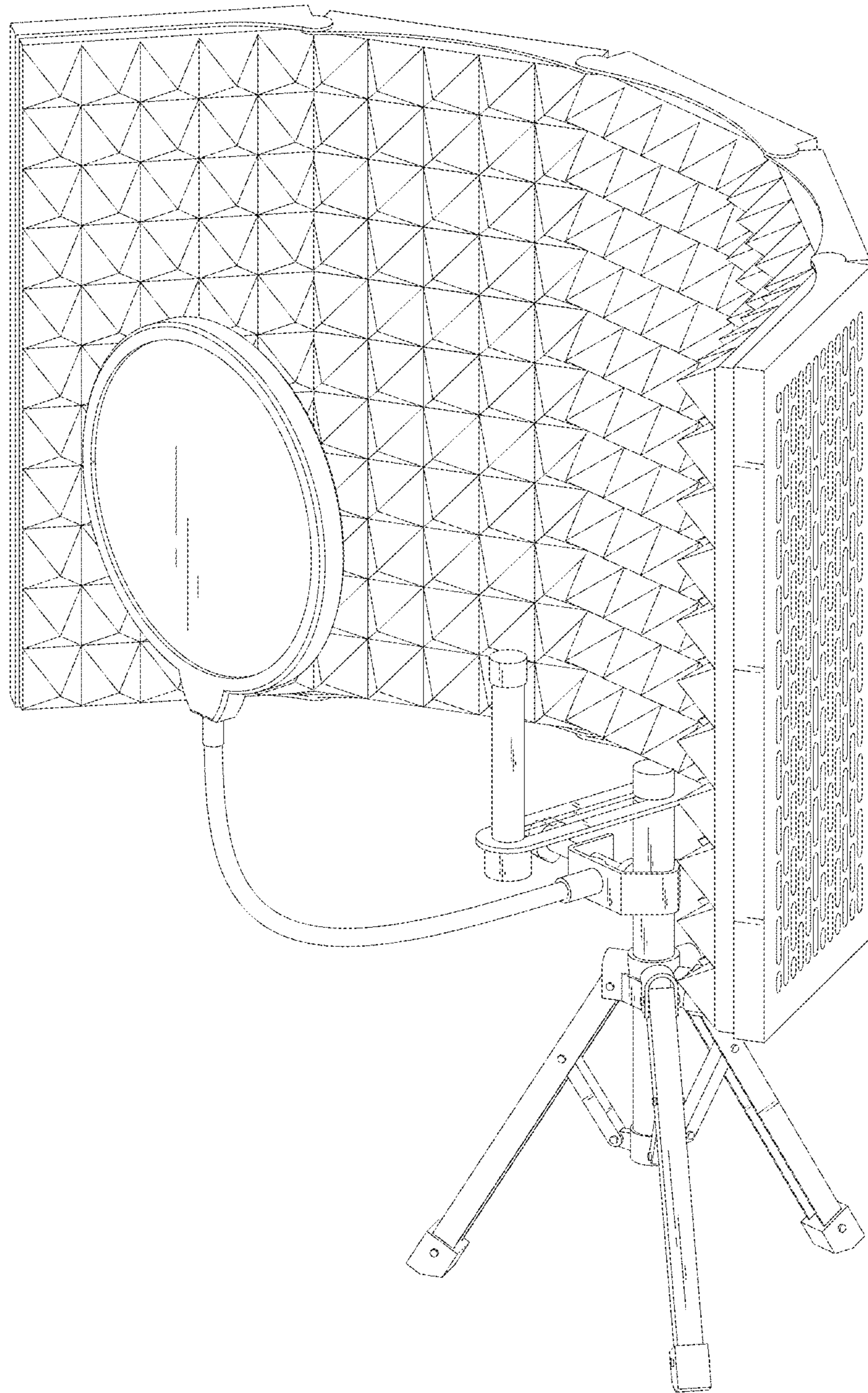


FIG.1

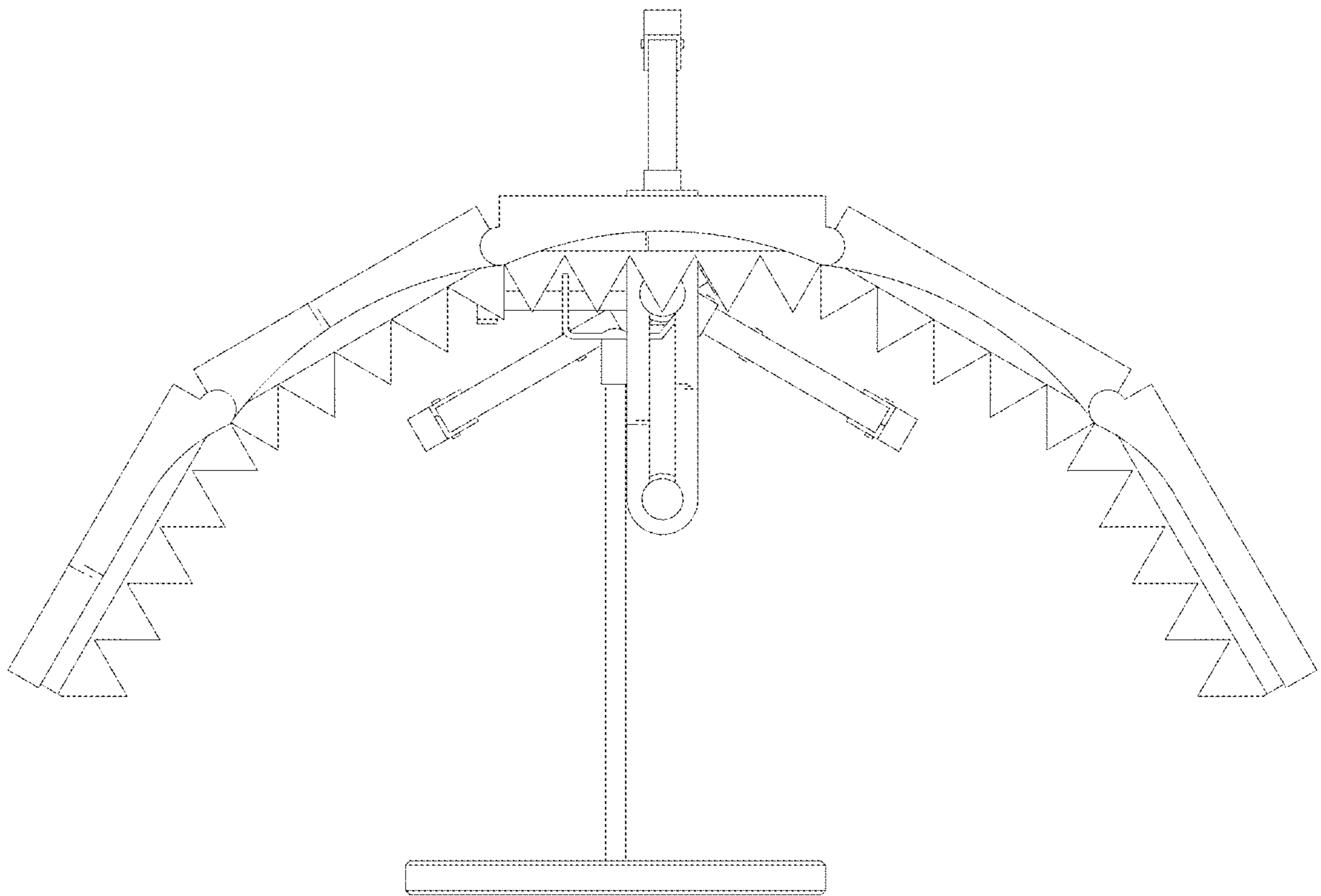


FIG.2

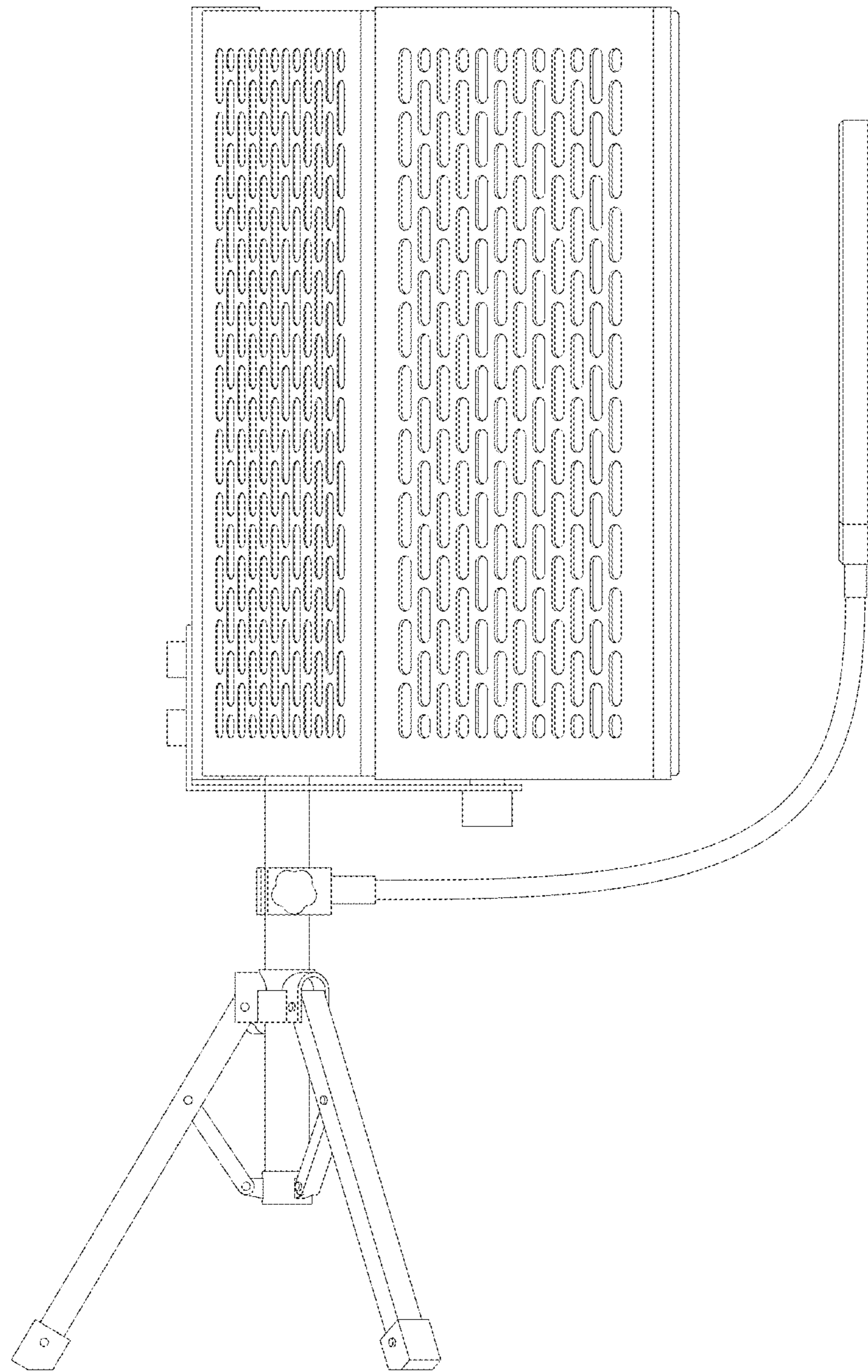


FIG. 3

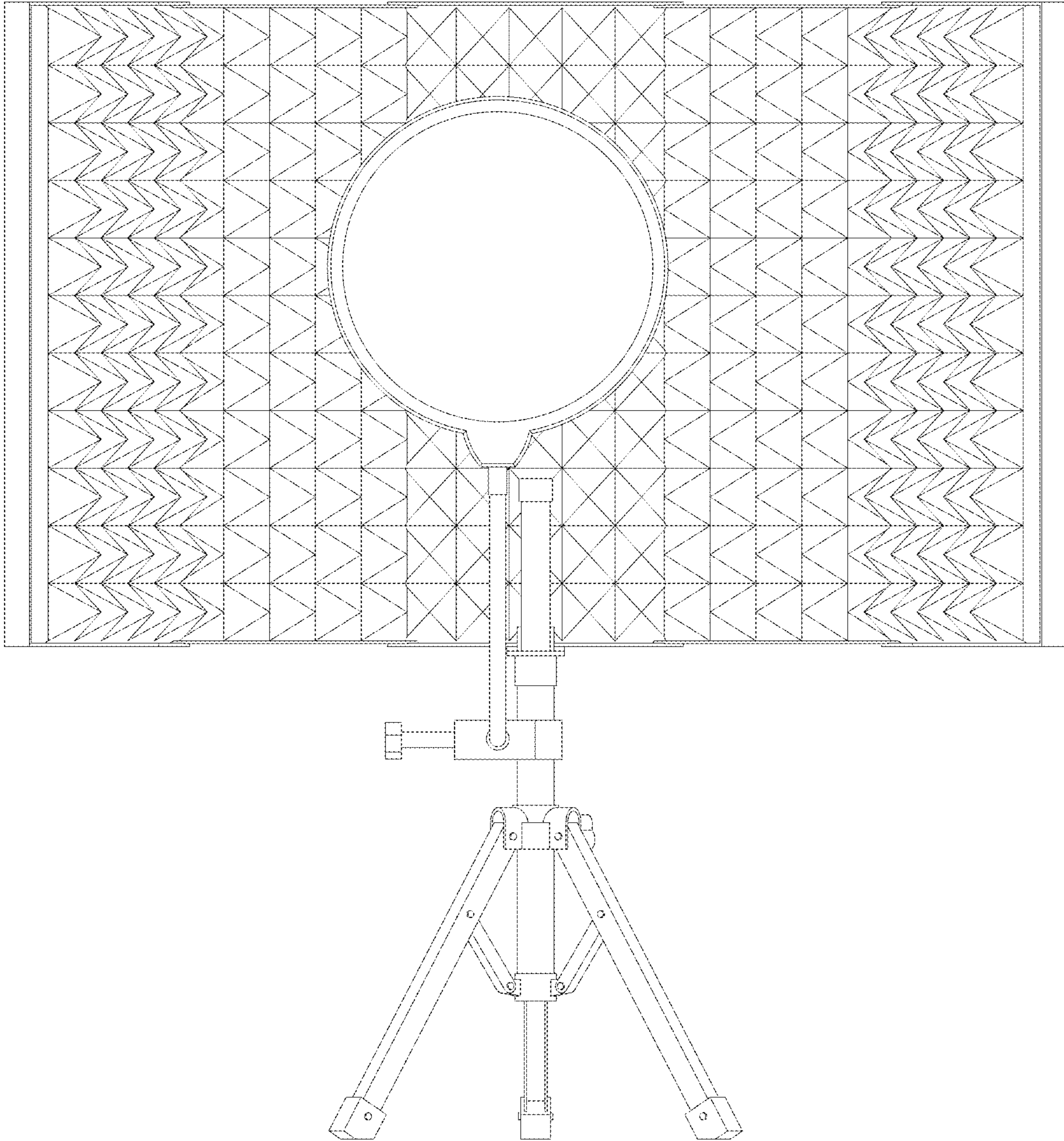


FIG. 4

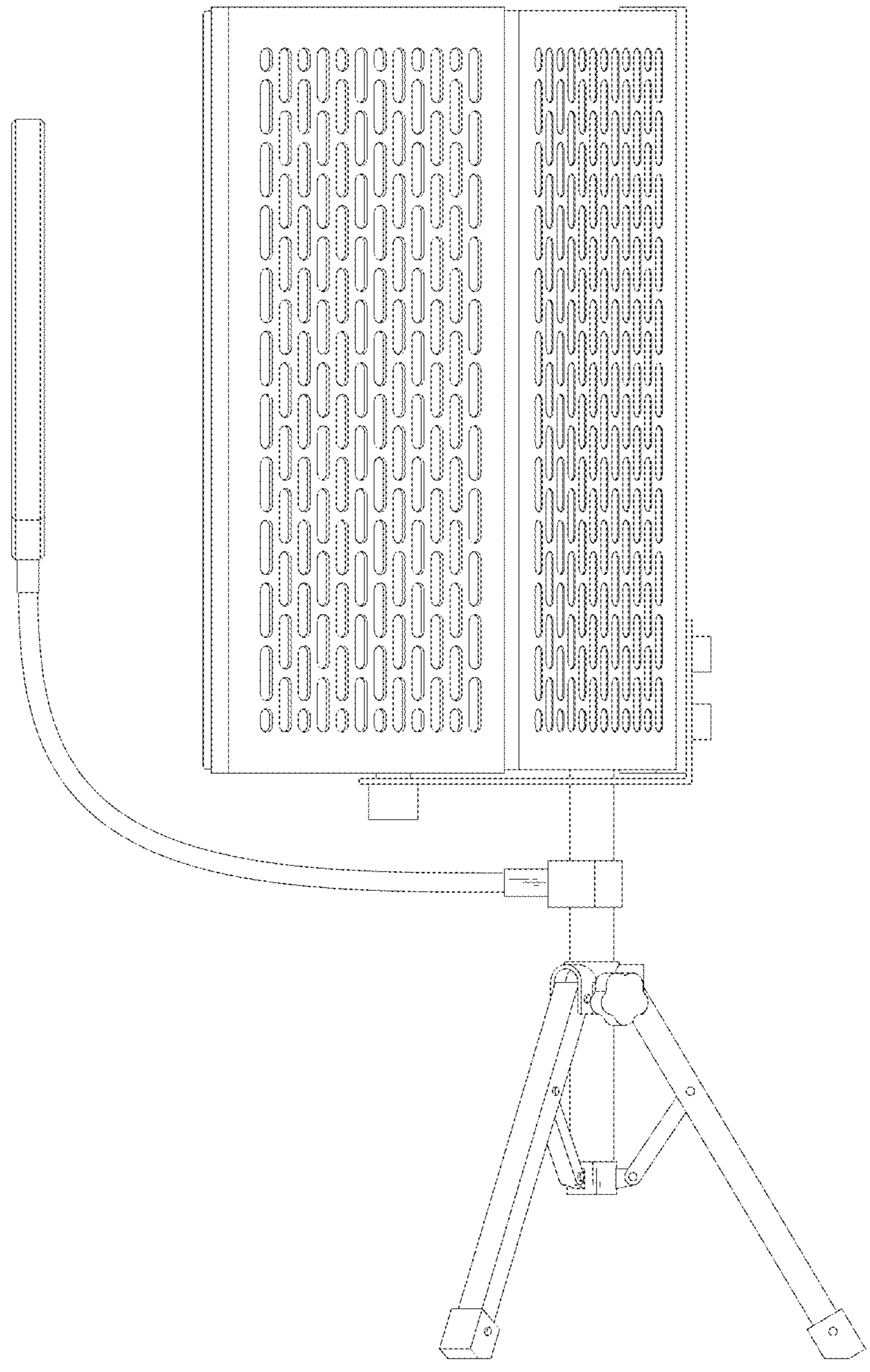


FIG. 5

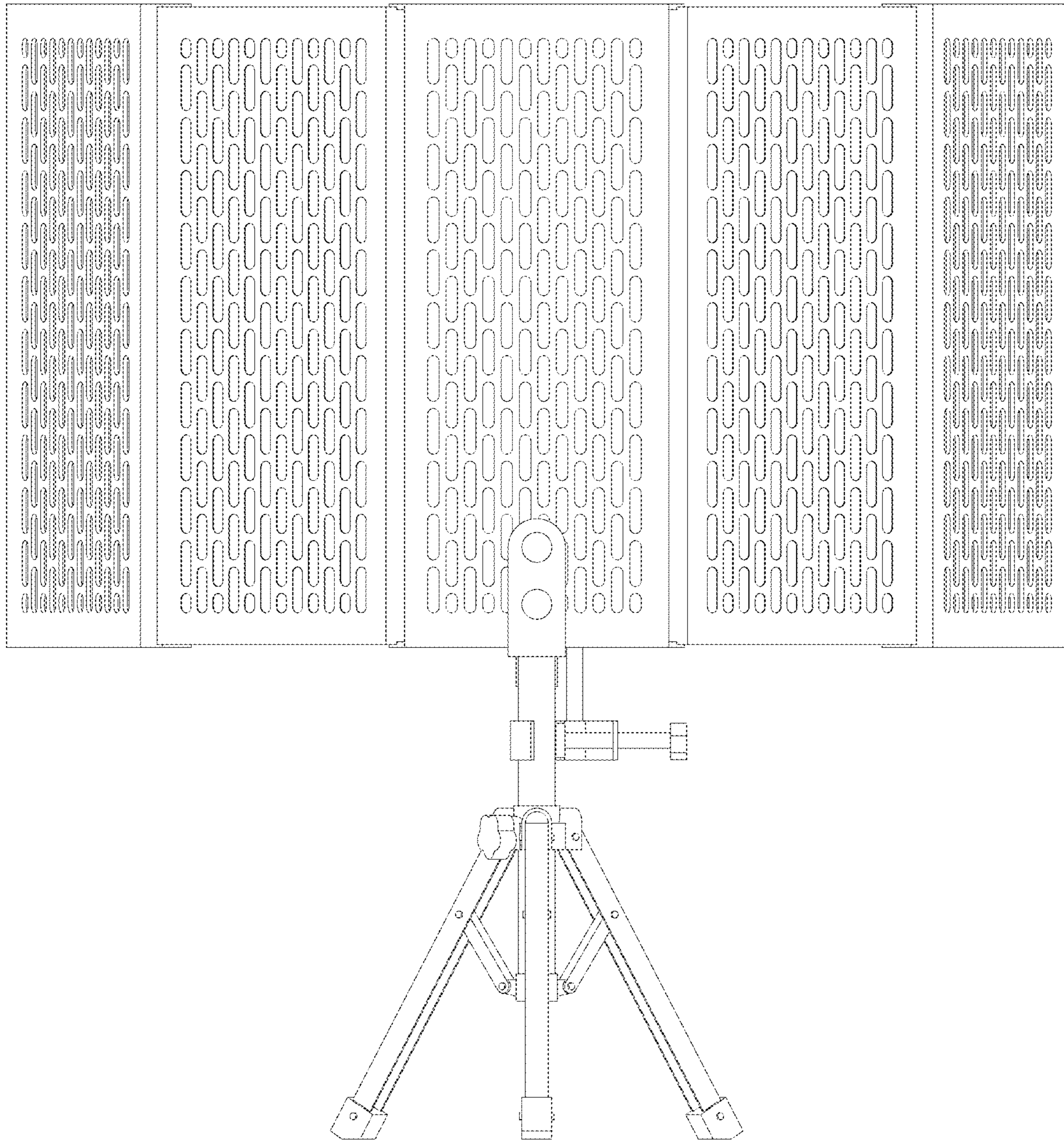


FIG. 6

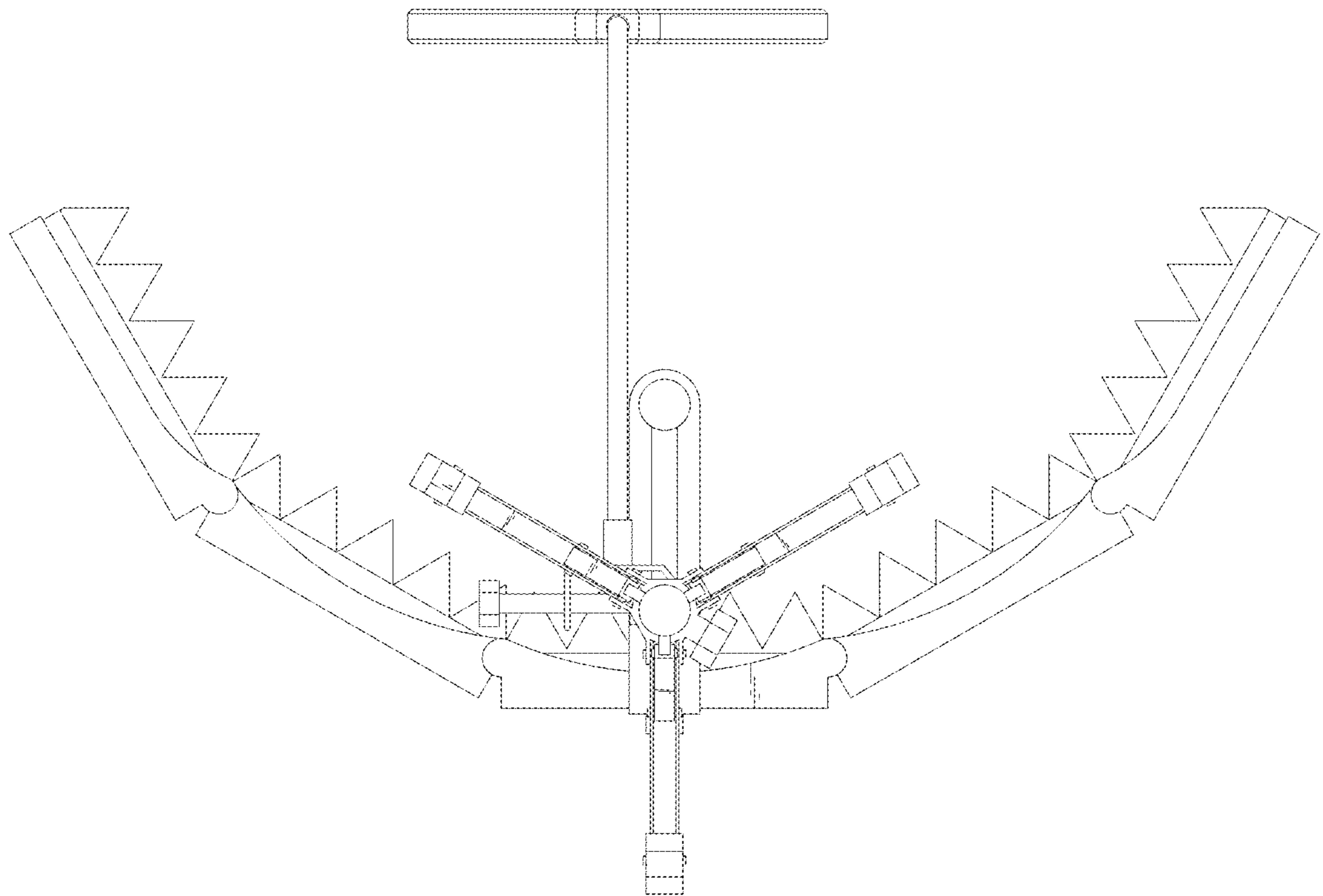


FIG. 7