



US00D970479S

(12) **United States Design Patent**  
**Imamura et al.**

(10) **Patent No.:** **US D970,479 S**  
(45) **Date of Patent:** **\*\* Nov. 22, 2022**

(54) **MICROPHONE STAND**

(71) Applicant: **Audio-Technica Corporation**, Tokyo (JP)

(72) Inventors: **Takahiro Imamura**, Tokyo (JP); **Sean Bryson**, Tokyo (JP)

(73) Assignee: **Audio-Technica Corporation**, Tokyo (JP)

(\*\*) Term: **15 Years**

(21) Appl. No.: **29/749,688**

(22) Filed: **Sep. 8, 2020**

(30) **Foreign Application Priority Data**

Mar. 12, 2020 (JP) ..... 2020-004931

(51) **LOC (13) Cl.** ..... **14-01**

(52) **U.S. Cl.**  
USPC ..... **D14/225**

(58) **Field of Classification Search**  
USPC ... D14/150, 154, 155, 158, 160, 172, 209.1, D14/221, 224, 225, 226, 227, 228, 229; D17/99; D21/405, 513  
CPC ..... H04R 19/00; H04R 19/04; H04R 1/04; H04R 1/08; H04R 1/326; H04R 1/406; H04R 29/004; H04R 2410/00; H04R 2410/01; H04R 2410/03; H04R 2410/05; H04R 2410/07; H04R 2420/07; H04R 17/02  
See application file for complete search history.

(56) **References Cited**

**U.S. PATENT DOCUMENTS**

D234,957 S \* 4/1975 Huntington ..... D14/225  
D247,668 S \* 4/1978 Furst ..... D14/225  
D252,085 S \* 6/1979 Fujita ..... D14/225  
D352,946 S \* 11/1994 Nensel ..... D14/225  
D418,512 S \* 1/2000 Lin ..... D14/227

D432,527 S \* 10/2000 DeLeon ..... D14/240  
D439,219 S \* 3/2001 Minagawa ..... D13/108  
D499,399 S \* 12/2004 Hao ..... D14/240  
D624,905 S \* 10/2010 Lee ..... D14/229  
D720,336 S \* 12/2014 Ervin ..... D14/240

(Continued)

**FOREIGN PATENT DOCUMENTS**

CN 304716870 \* 7/2018  
CN 306721725 \* 7/2021  
CN 307048443 \* 1/2022

**OTHER PUBLICATIONS**

Tonor Conference, first available Aug. 27, 2018 [online], [retrieved Feb. 15, 2022]. Available from the Internet, URL:<[https://www.amazon.com/dp/B07GVGMW59/ref=cm\\_sw\\_em\\_r\\_mt\\_dp\\_J48JY6HBRYHMTKB935BB](https://www.amazon.com/dp/B07GVGMW59/ref=cm_sw_em_r_mt_dp_J48JY6HBRYHMTKB935BB)>. (Year: 2018).\*

(Continued)

*Primary Examiner* — Shawn T Gingrich  
*Assistant Examiner* — Russell Carnell Smith, Jr.  
(74) *Attorney, Agent, or Firm* — WCF IP

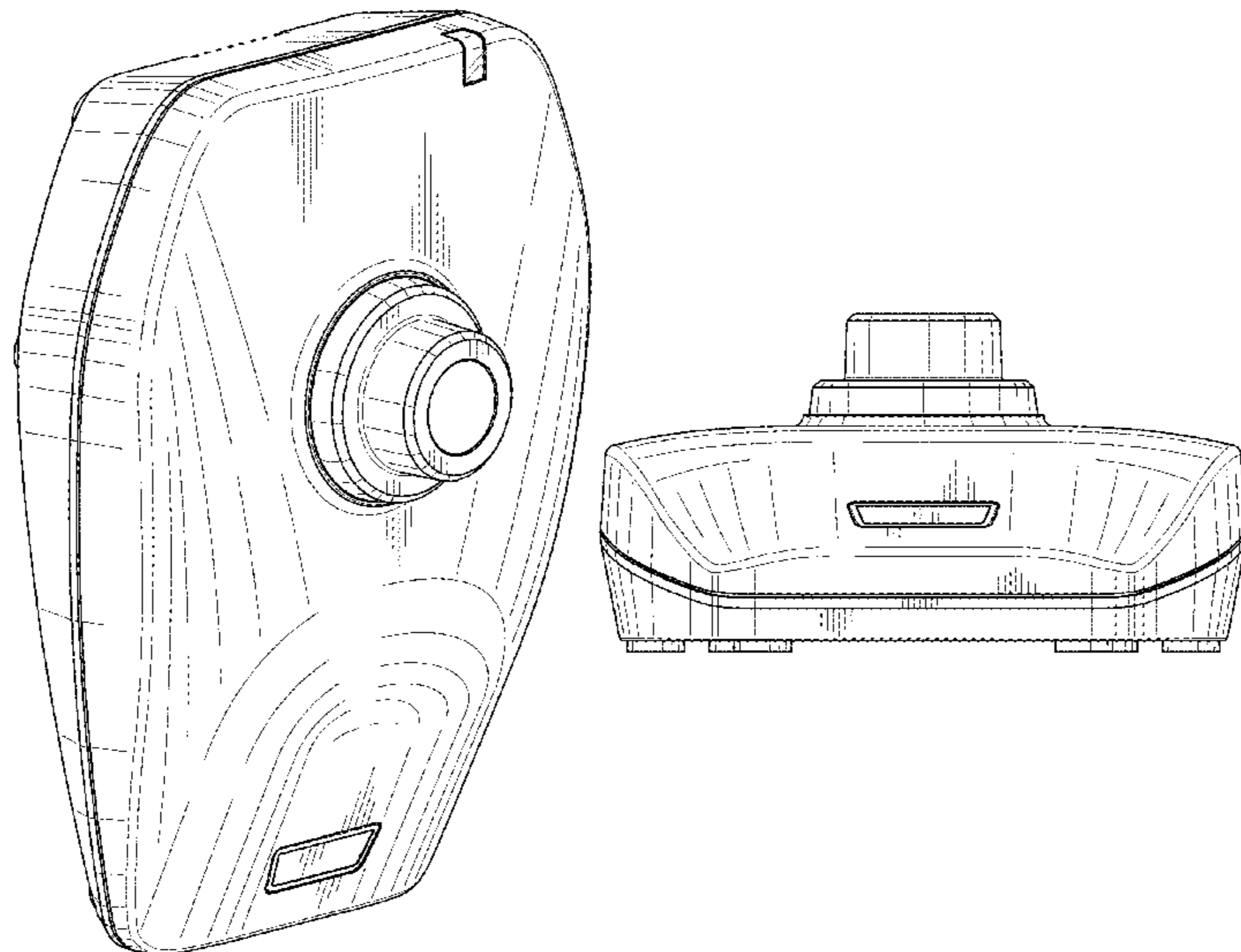
(57) **CLAIM**

The ornamental design for a microphone stand, as shown and described.

**DESCRIPTION**

FIG. 1 is a perspective view of a microphone stand, showing our new design;  
FIG. 2 is a front view thereof;  
FIG. 3 is a rear view thereof;  
FIG. 4 is a top plan view thereof;  
FIG. 5 is a bottom plan view thereof;  
FIG. 6 is a left side view thereof; and,  
FIG. 7 is a right side view thereof.  
The broken lines shown in the figures depict portions of the microphone stand that form no part of the claimed design.

**1 Claim, 5 Drawing Sheets**



(56)

**References Cited**

U.S. PATENT DOCUMENTS

D725,086 S \* 3/2015 Giczy ..... D14/149  
D765,061 S \* 8/2016 Heil ..... D14/229  
D888,025 S \* 6/2020 Kanatsu ..... D14/227

OTHER PUBLICATIONS

Conference Microphone, first available Dec. 13, 2018 [online], [retrieved Feb. 15, 2022]. Available from the Internet, URL:<[https://www.amazon.com/dp/B07LC3FT5B/ref=cm\\_sw\\_em\\_r\\_mt\\_dp\\_EE6FX8KVK9SY7QHTQ068](https://www.amazon.com/dp/B07LC3FT5B/ref=cm_sw_em_r_mt_dp_EE6FX8KVK9SY7QHTQ068)>. (Year: 2018).\*

Movo MC1000, first available Jun. 29, 2016 [online], [retrieved Feb. 15, 2022]. Available from the Internet, URL:<[https://www.amazon.com/dp/B01DJTK8FU/ref=cm\\_sw\\_em\\_r\\_mt\\_dp\\_JVT3TVH3BKWN1Z3VJHKD?\\_encoding=UTF8&psc=1](https://www.amazon.com/dp/B01DJTK8FU/ref=cm_sw_em_r_mt_dp_JVT3TVH3BKWN1Z3VJHKD?_encoding=UTF8&psc=1)>. (Year: 2016).\*

\* cited by examiner

FIG. 1

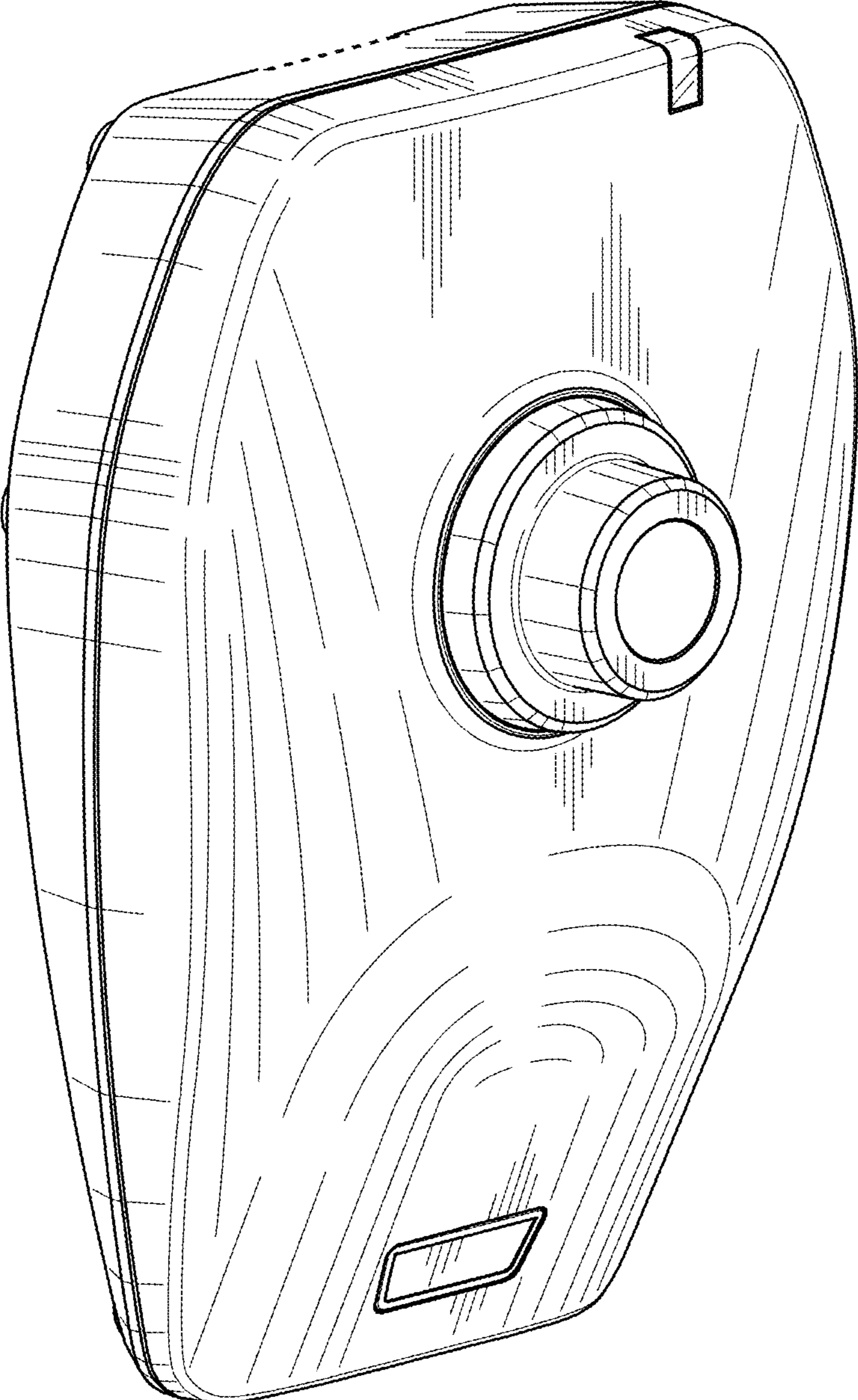


FIG. 2

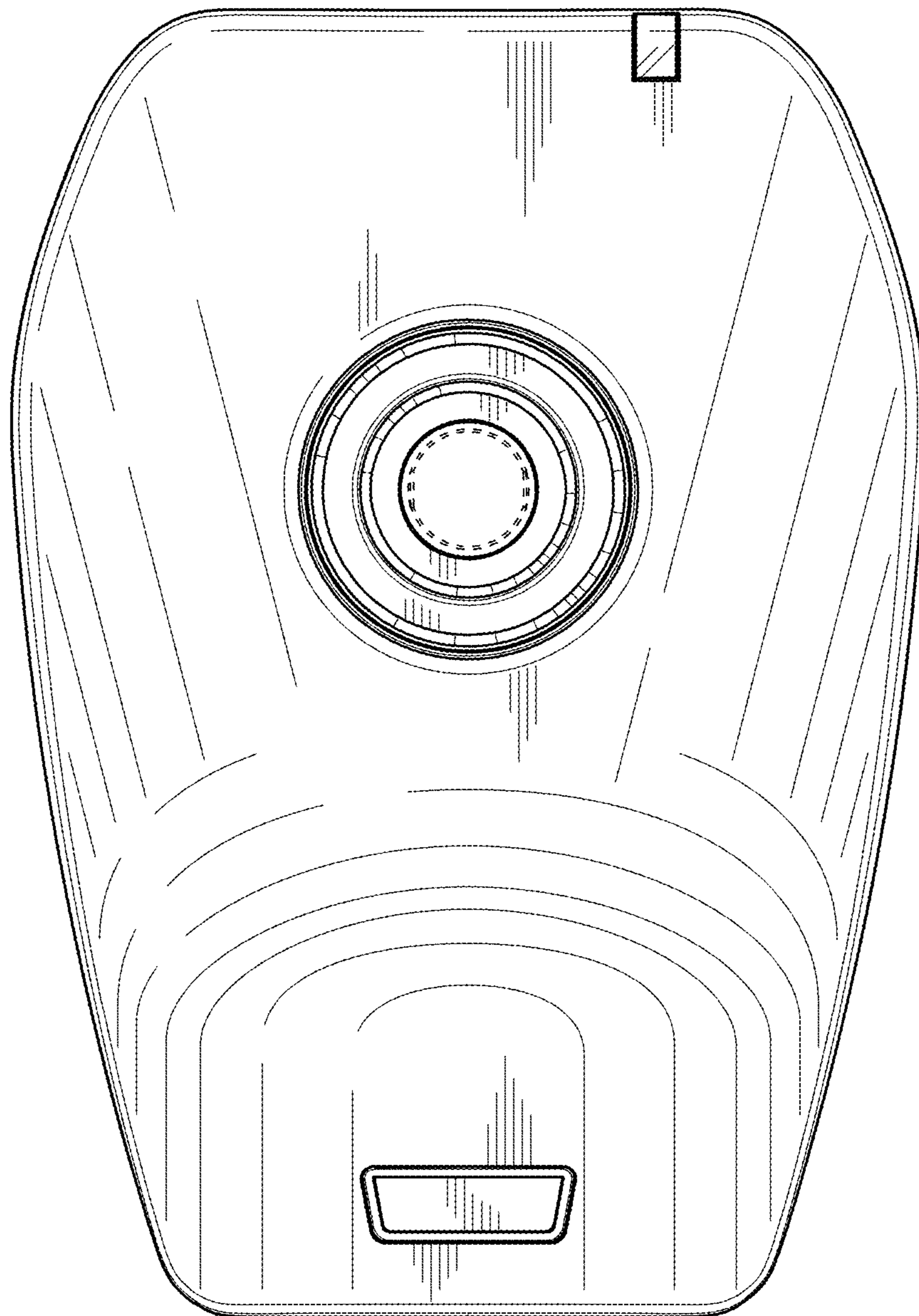




FIG. 3

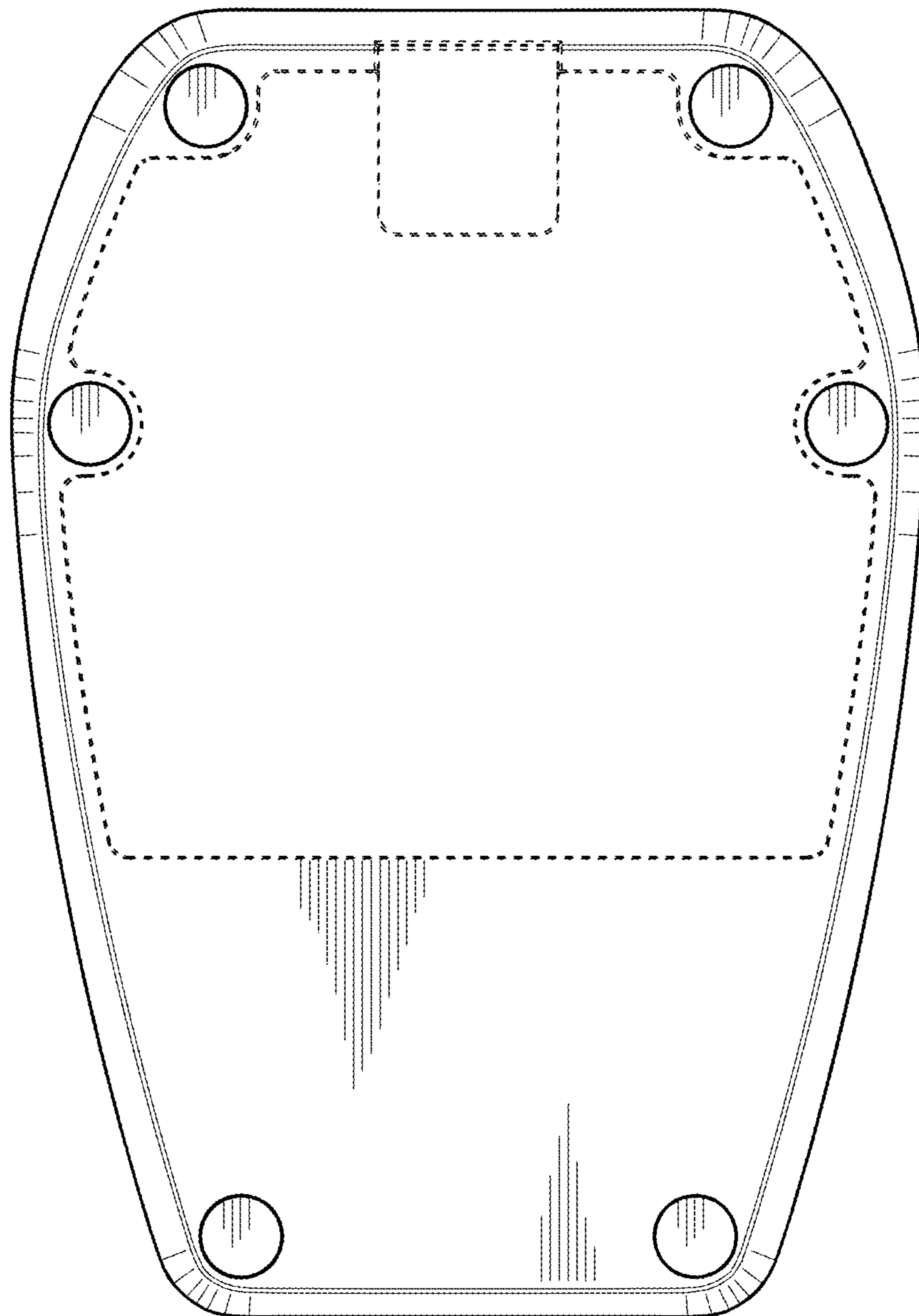


FIG. 4

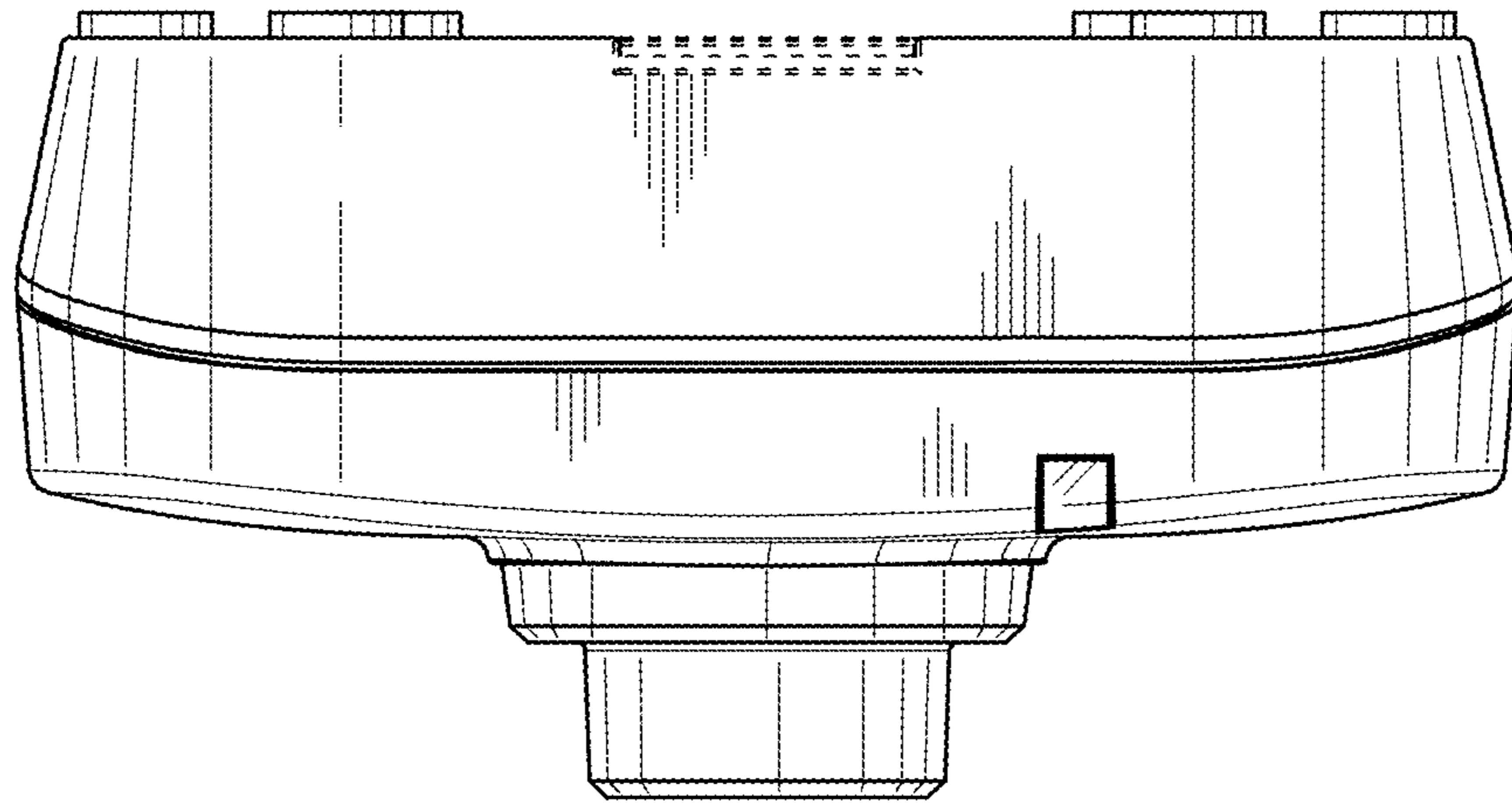


FIG. 5

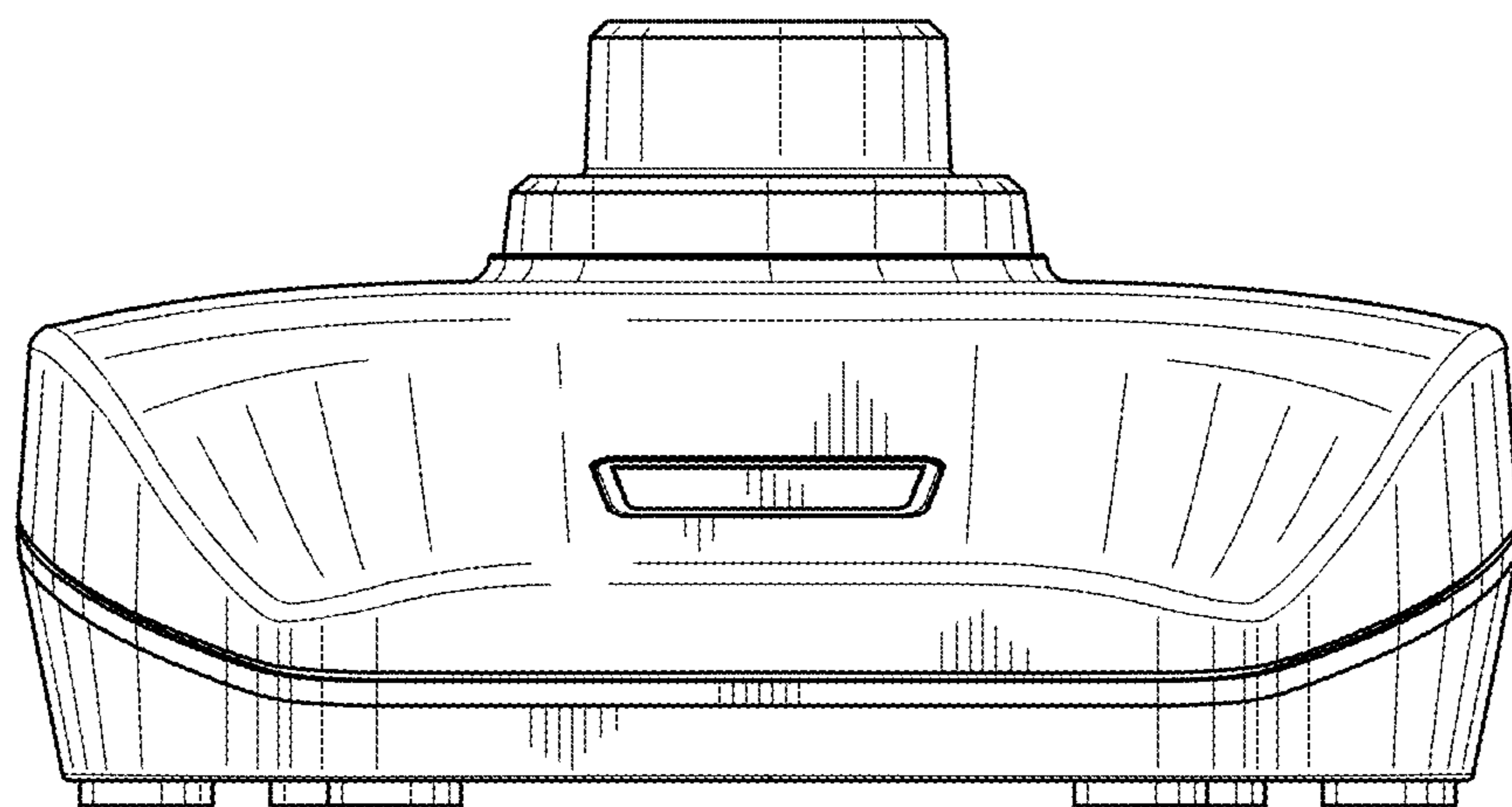


FIG. 6

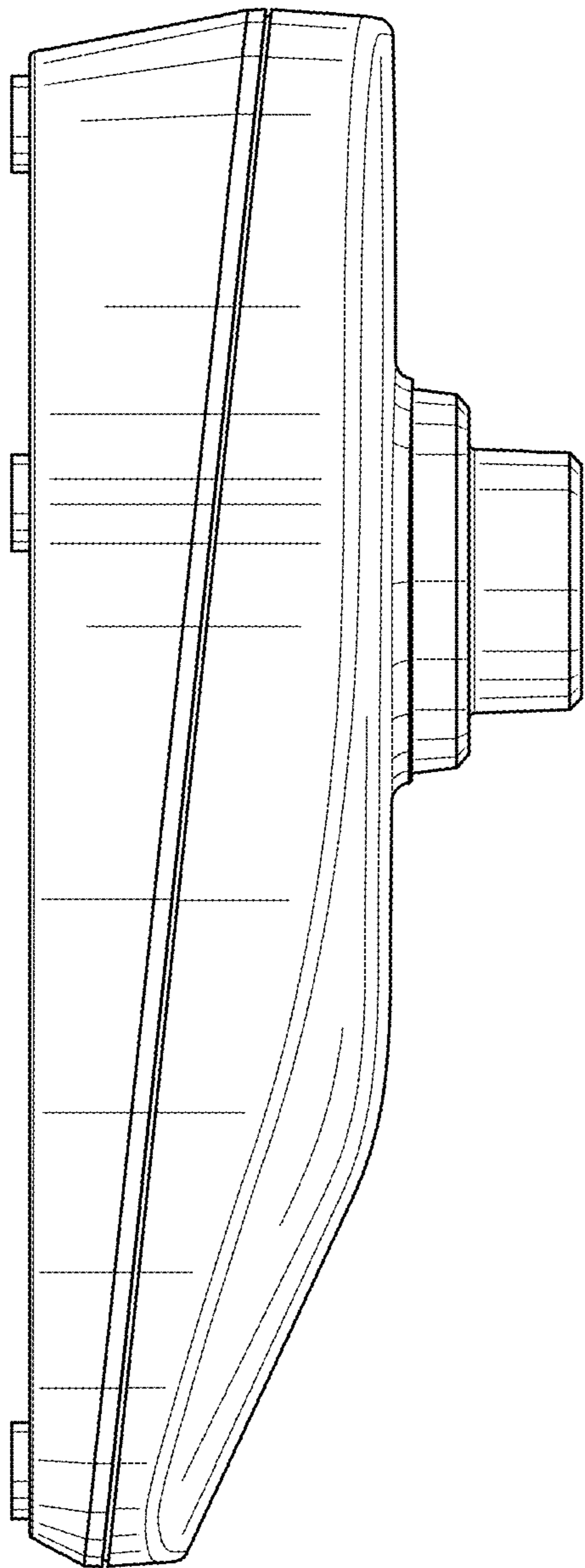


FIG. 7

