



US00D970477S

(12) **United States Design Patent**
Lee

(10) **Patent No.:** **US D970,477 S**

(45) **Date of Patent:** **** Nov. 22, 2022**

(54) **EARPHONE PROTECTIVE COVER**

(71) Applicant: **ELAGO CO. LTD**, Goyang-si (KR)

(72) Inventor: **Chanwoo Lee**, Goyang-si (KR)

(73) Assignee: **elago CO. LTD**, Goyang-si (KR)

(**) Term: **15 Years**

(21) Appl. No.: **29/817,139**

(22) Filed: **Nov. 29, 2021**

(51) **LOC (13) Cl.** **14-01**

(52) **U.S. Cl.**

USPC **D14/223**

(58) **Field of Classification Search**

USPC D14/223, 205, 192, 217; D24/106, 174;
128/864-866; 381/380-381, 373, 328,
381/322, 321; 379/420.02-420.03

CPC H04R 1/10; H04R 25/00; H04R 1/1016;
H04R 1/1066; H04R 5/033; H04R
5/0335; H04R 1/008; H04R 1/1091;
H04R 1/105; H04R 1/1058; H04R 25/02;
A61F 11/08

See application file for complete search history.

(56) **References Cited**

U.S. PATENT DOCUMENTS

1,893,473 A * 1/1933 Hueber F02M 37/12
92/132
D259,279 S * 5/1981 Takeda D24/174
D373,183 S * 8/1996 Beyer D23/366
5,920,911 A * 7/1999 Cushman A61F 11/14
181/129

(Continued)

FOREIGN PATENT DOCUMENTS

CN 3451082 6/2005
CN 303207438 * 5/2015

(Continued)

Primary Examiner — Paula Allen Greene

(74) *Attorney, Agent, or Firm* — Paratus Law Group,
PLLC

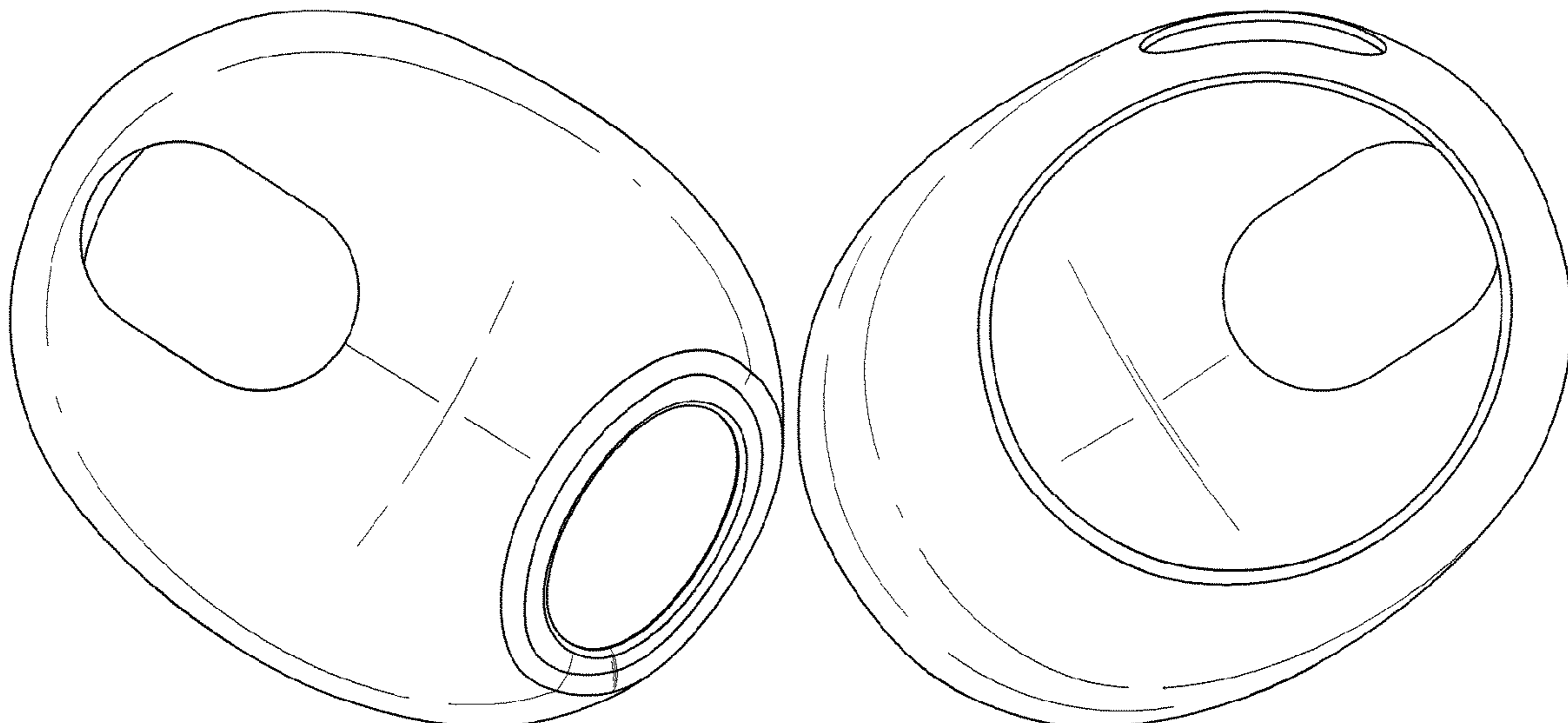
(57) **CLAIM**

The ornamental design for an earphone protective cover, as shown and described.

DESCRIPTION

FIG. 1 is a front, top, and left perspective view of a left earphone protective cover, showing my new design; FIG. 2 is a front view of the left earphone protective cover; FIG. 3 is a back view of the left earphone protective cover; FIG. 4 is a left side view of the left earphone protective cover; FIG. 5 is a right view of the left earphone protective cover; FIG. 6 is a top view of the left earphone protective cover; FIG. 7 is a bottom view of the left earphone protective cover; FIG. 8 is a back, top, and left perspective view of the left earphone protective cover; FIG. 9 is a front, top, and left perspective view of a right earphone protective cover, showing my new design; FIG. 10 is a front view of the right earphone protective cover; FIG. 11 is a back view of the right earphone protective cover; FIG. 12 is a left side view of the right earphone protective cover; FIG. 13 is a right view of the right earphone protective cover; FIG. 14 is a top view of the right earphone protective cover; FIG. 15 is a bottom view of the right earphone protective cover; and, FIG. 16 is a front, top, and left perspective view of the right earphone protective cover.

1 Claim, 16 Drawing Sheets



(56)

References Cited

U.S. PATENT DOCUMENTS

D468,301 S * 1/2003 Fushimi D14/223
 D628,565 S * 12/2010 Wu D14/223
 D686,197 S 7/2013 Kurtz et al.
 D687,189 S * 7/2013 Fairclough D29/112
 D707,206 S * 6/2014 Akana H04R 1/10
 D728,532 S * 5/2015 Kurtz D14/223
 D729,193 S * 5/2015 Kirsch D14/205
 D732,008 S * 6/2015 Akana H04R 1/1016
 D733,101 S * 6/2015 Pi D14/223
 D733,689 S * 7/2015 Narita D14/223
 D744,456 S * 12/2015 Pedersen D14/223
 9,307,313 B2 4/2016 Kurtz et al.
 D755,158 S * 5/2016 Lee D14/223
 D770,413 S * 11/2016 Son D14/223
 D770,425 S * 11/2016 Son D14/223
 9,549,855 B2 * 1/2017 Hamer A61F 11/08
 D779,461 S * 2/2017 Smith D14/223
 D780,157 S * 2/2017 Ugglä D14/223
 D794,603 S * 8/2017 Riggs D14/205
 9,736,564 B2 8/2017 Kurtz
 9,743,168 B2 8/2017 Kurtz et al.
 D820,808 S * 6/2018 Petersen D14/223
 D828,824 S * 9/2018 Slimak D14/223
 D835,077 S * 12/2018 Aoyagi D14/223
 D843,352 S * 3/2019 Lee D14/223
 D846,526 S * 4/2019 Spencer D14/205
 D860,172 S * 9/2019 Yun D14/223
 D870,079 S * 12/2019 Yun D14/223
 D881,165 S * 4/2020 Lee D14/223
 D881,166 S * 4/2020 Lee D14/223
 D883,959 S * 5/2020 Lee D14/223
 D901,455 S * 11/2020 Brunner H04R 25/00
 D905,666 S * 12/2020 Yun D14/223
 D909,997 S * 2/2021 Yun D14/223

D926,730 S * 8/2021 Ke D14/223
 D928,743 S * 8/2021 Akana D14/223
 D928,745 S * 8/2021 Akana D14/223
 D929,376 S * 8/2021 Akana D14/223
 D943,557 S * 2/2022 Zhang D14/223
 2006/0050912 A1 * 3/2006 Kidd H04R 25/656
 381/328
 2006/0175722 A1 * 8/2006 Babcock A61F 11/08
 181/129
 2007/0036383 A1 2/2007 Romero
 2011/0051979 A1 * 3/2011 Lee H04R 1/1016
 181/135
 2012/0116231 A1 * 5/2012 Liao A61B 5/14552
 600/473
 2014/0014121 A1 * 1/2014 Endle C08J 9/32
 128/867
 2014/0138179 A1 * 5/2014 Burton H04R 1/1016
 181/135
 2015/0060189 A1 * 3/2015 Iseberg H04R 1/1016
 181/135
 2015/0312672 A1 10/2015 Kurtz et al.
 2018/0124489 A1 * 5/2018 Aljuwayed H04R 1/1058
 2018/0152778 A1 * 5/2018 Du H04R 1/1016
 2018/0310089 A1 * 10/2018 Yun H04R 1/105
 2018/0338194 A1 * 11/2018 Yu H04R 1/105
 2019/0020946 A1 * 1/2019 Tu H04R 1/2857
 2020/0366996 A1 * 11/2020 Kosuda H04M 1/6058
 2021/0152911 A1 * 5/2021 Mizoe H04R 25/658
 2021/0378869 A1 * 12/2021 Ng H04R 1/1016

FOREIGN PATENT DOCUMENTS

CN 108462913 A 8/2018
 CN 305452967 * 11/2019
 EM 008850895-0001 * 2/2022
 EP 3 367 696 A1 8/2018
 KR 301145437.0000 * 1/2022
 WO WO 2020/113375 A1 6/2020

* cited by examiner

FIG. 1

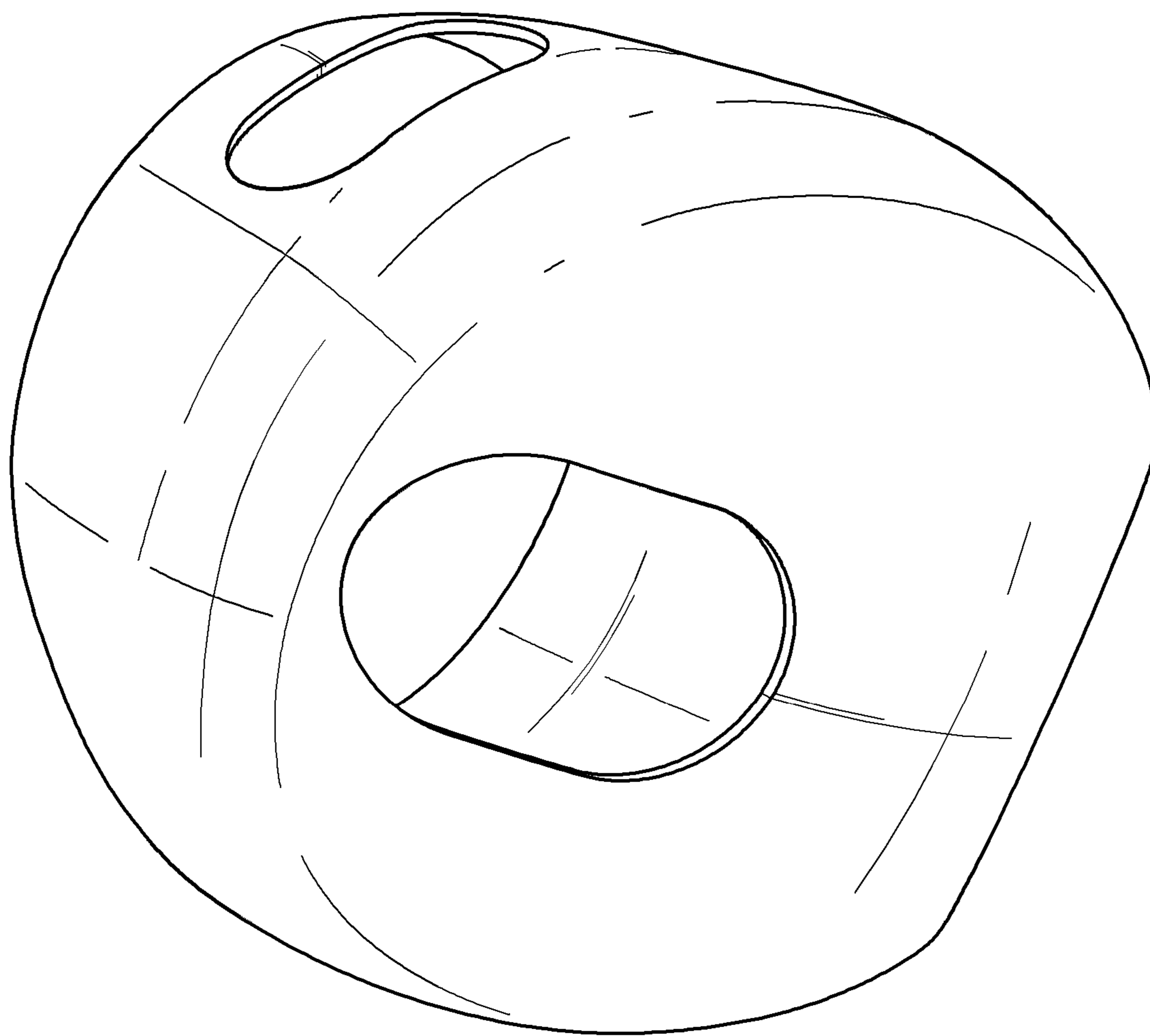


FIG. 2

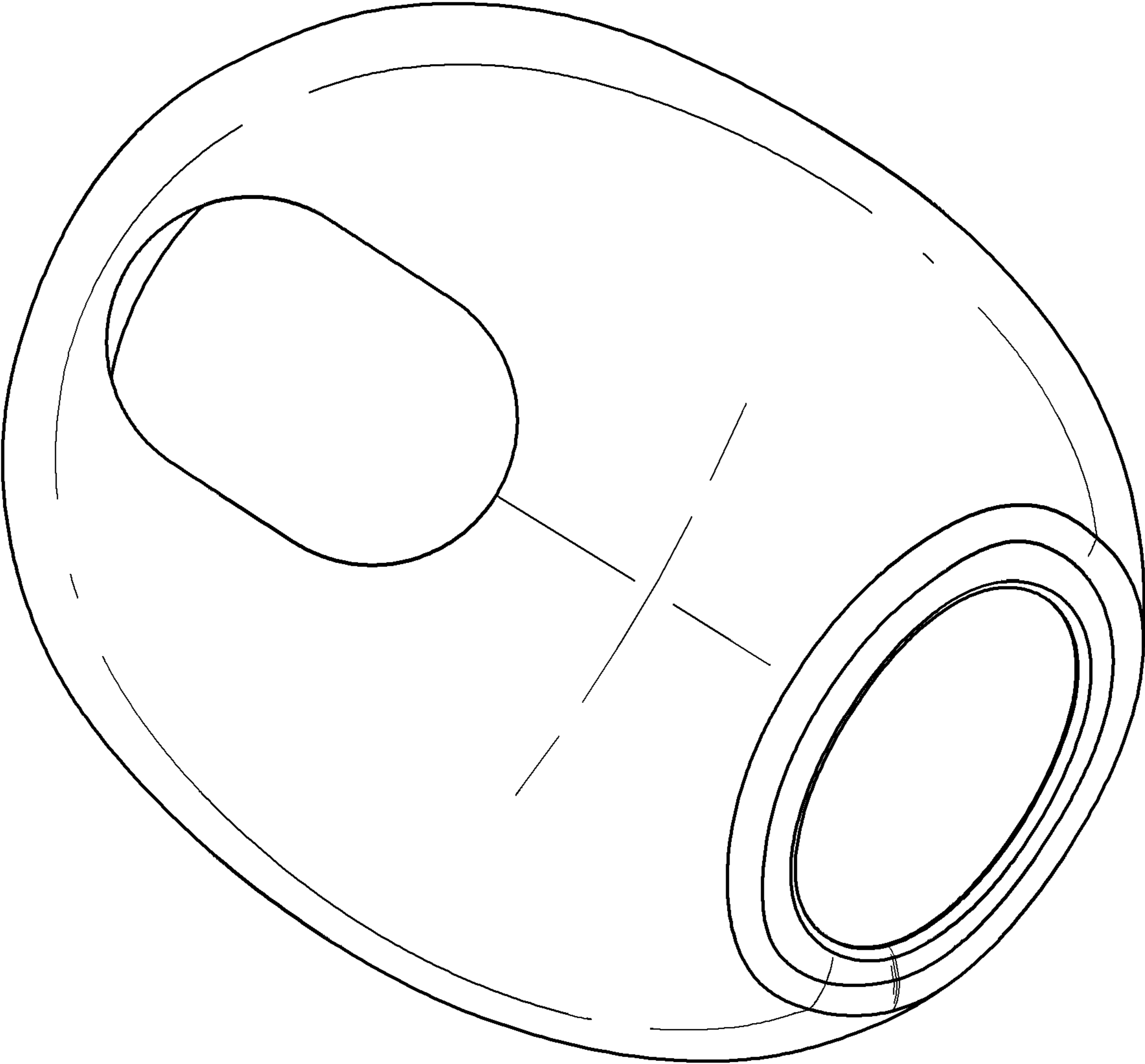


FIG. 3

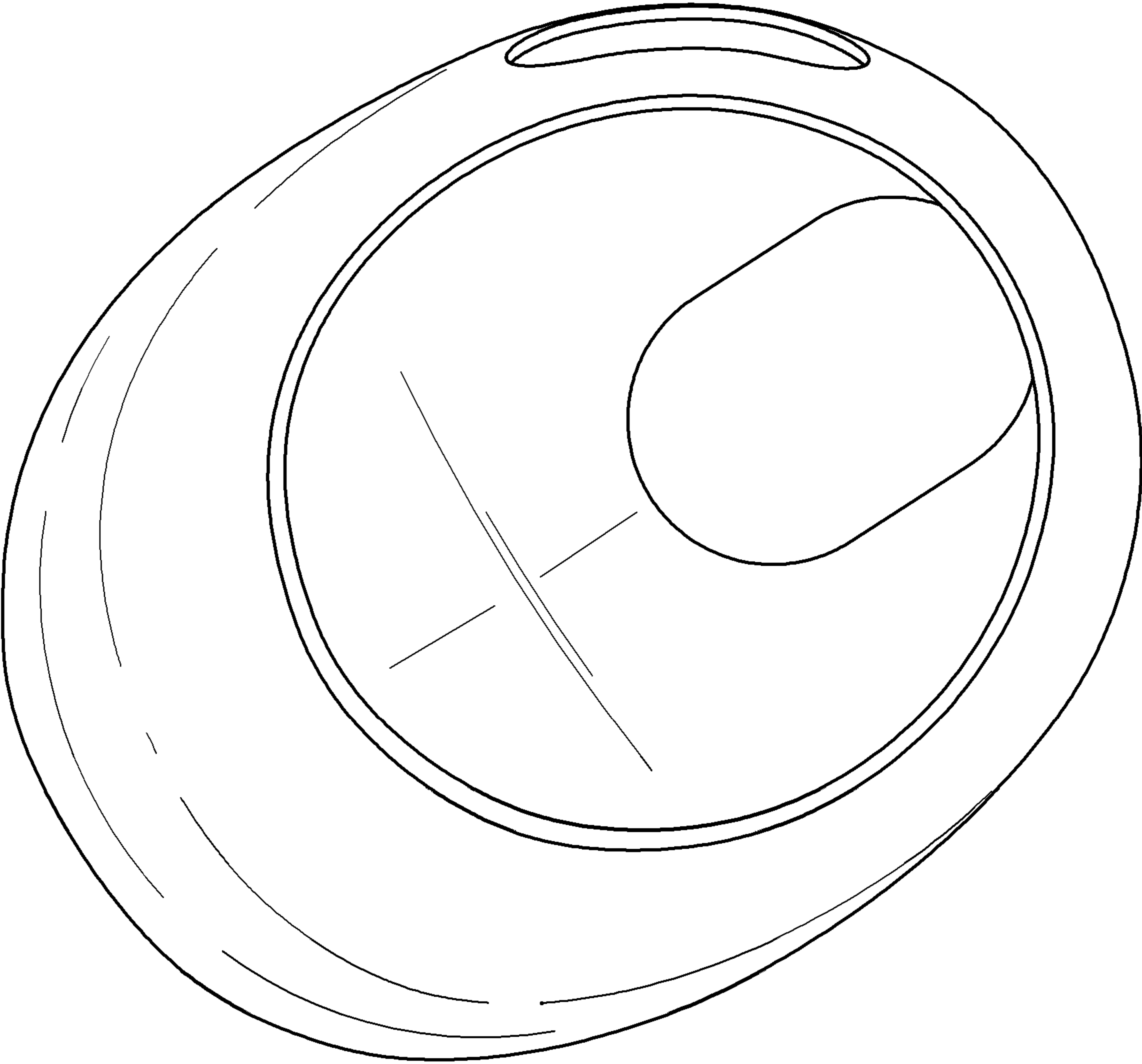


FIG. 4

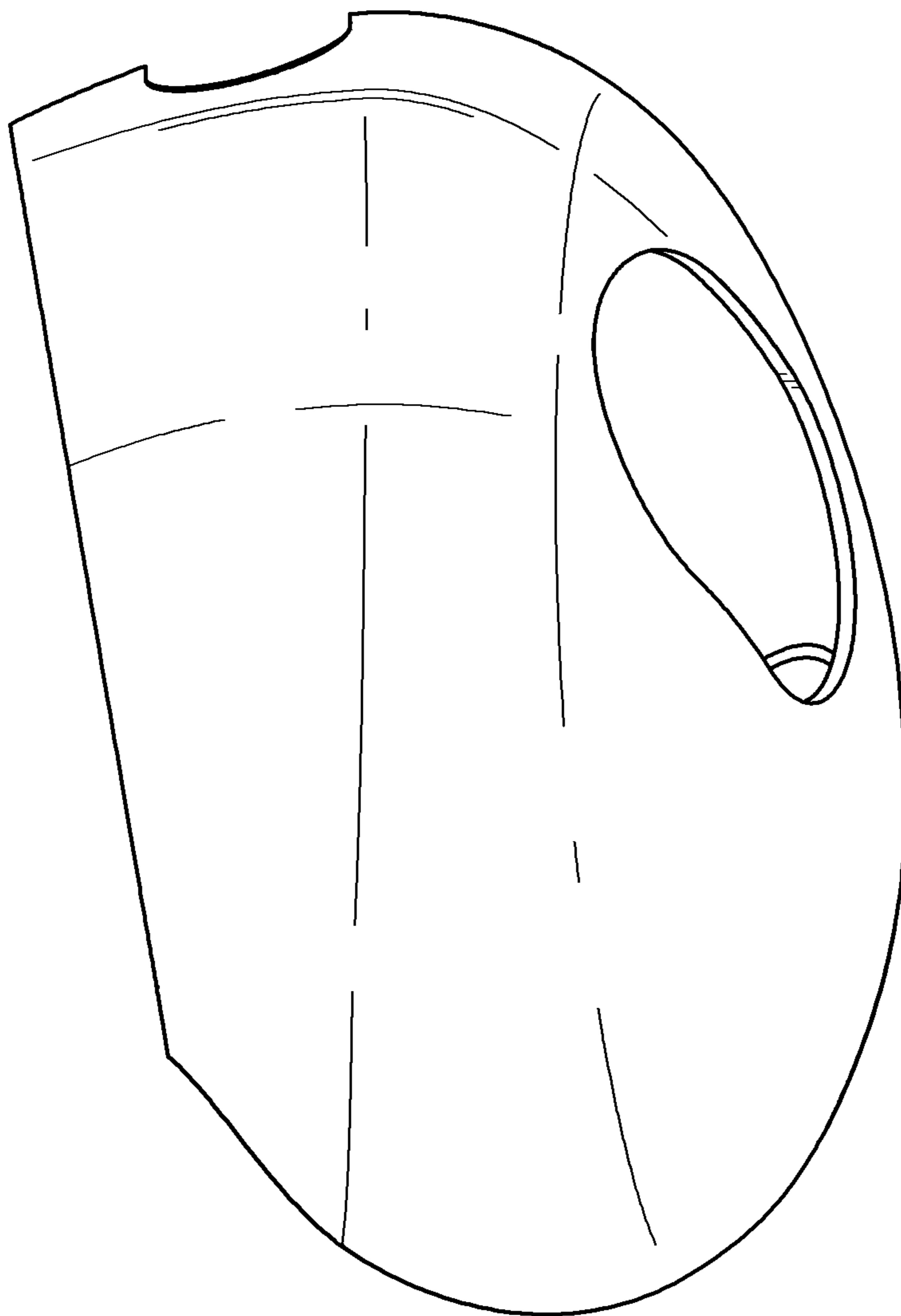


FIG. 5

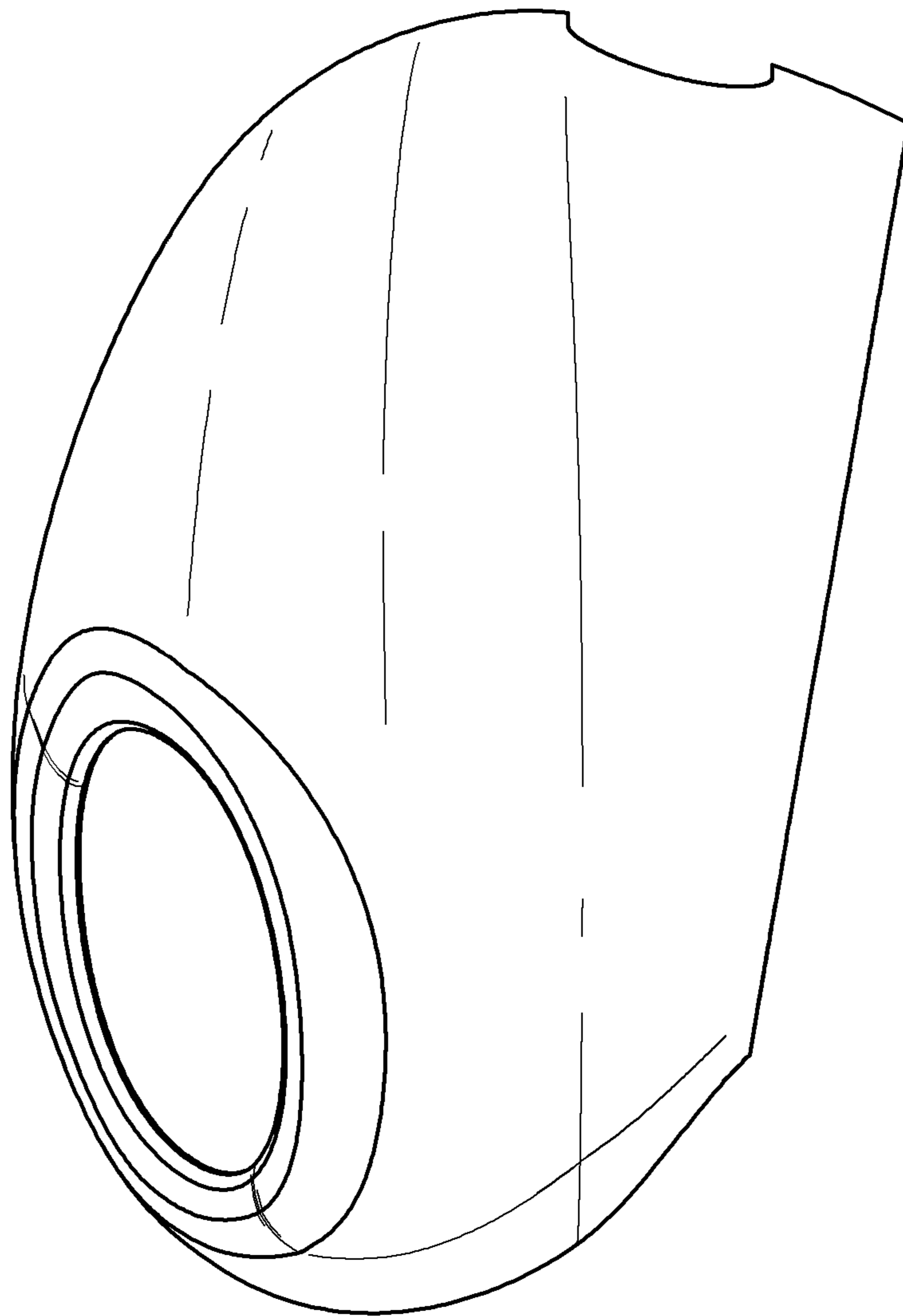


FIG. 6

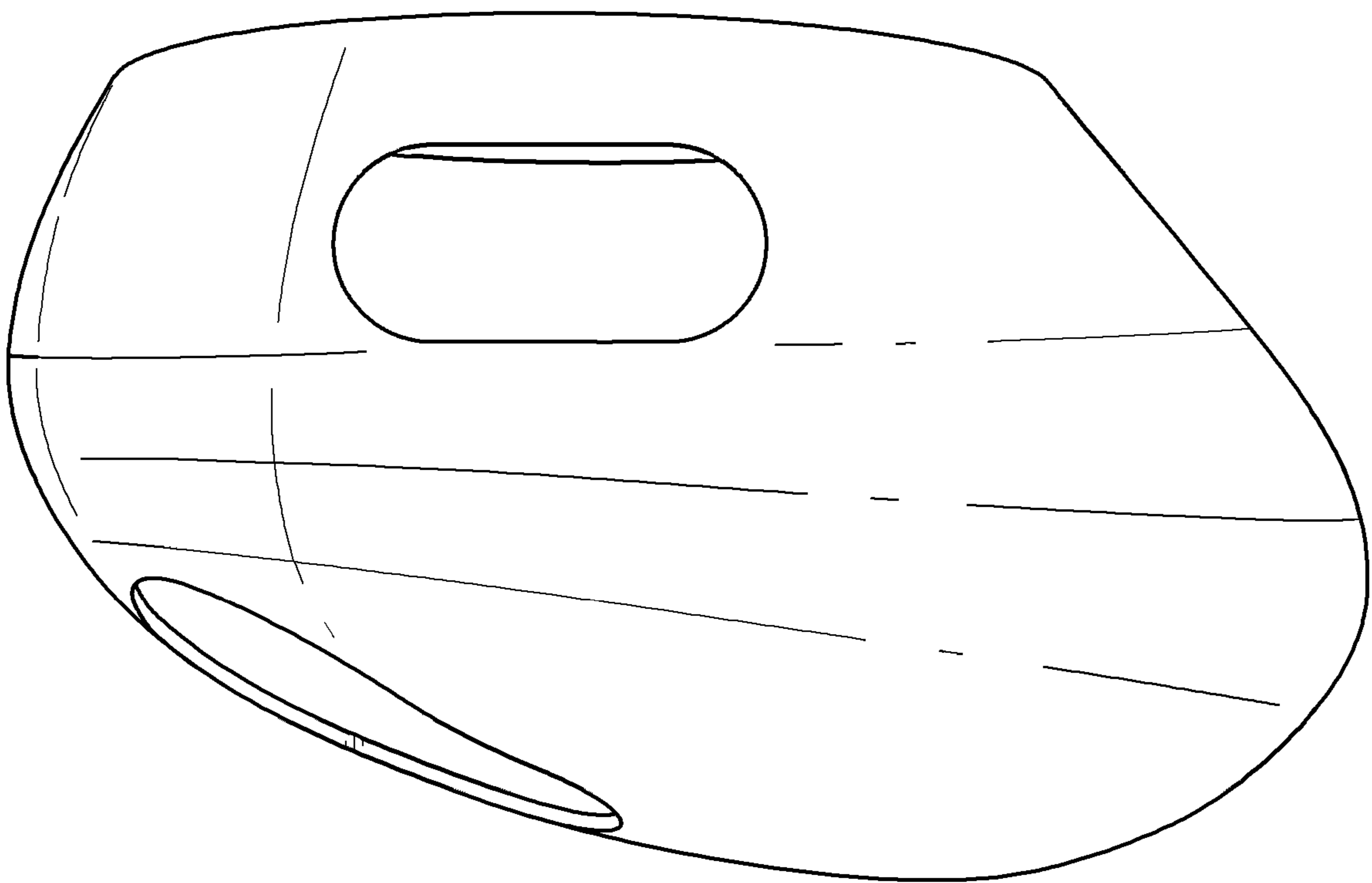


FIG. 7

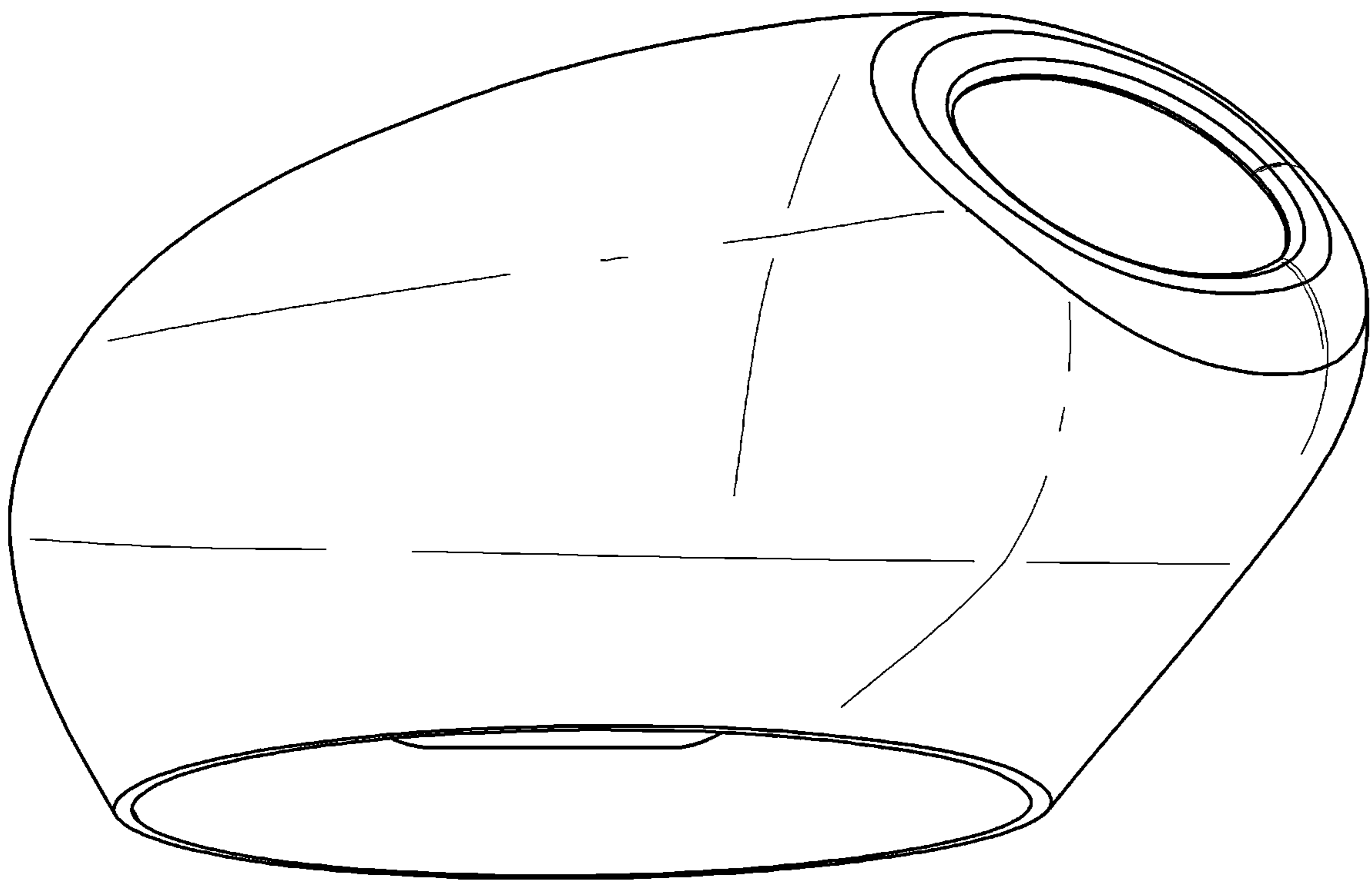


FIG. 8

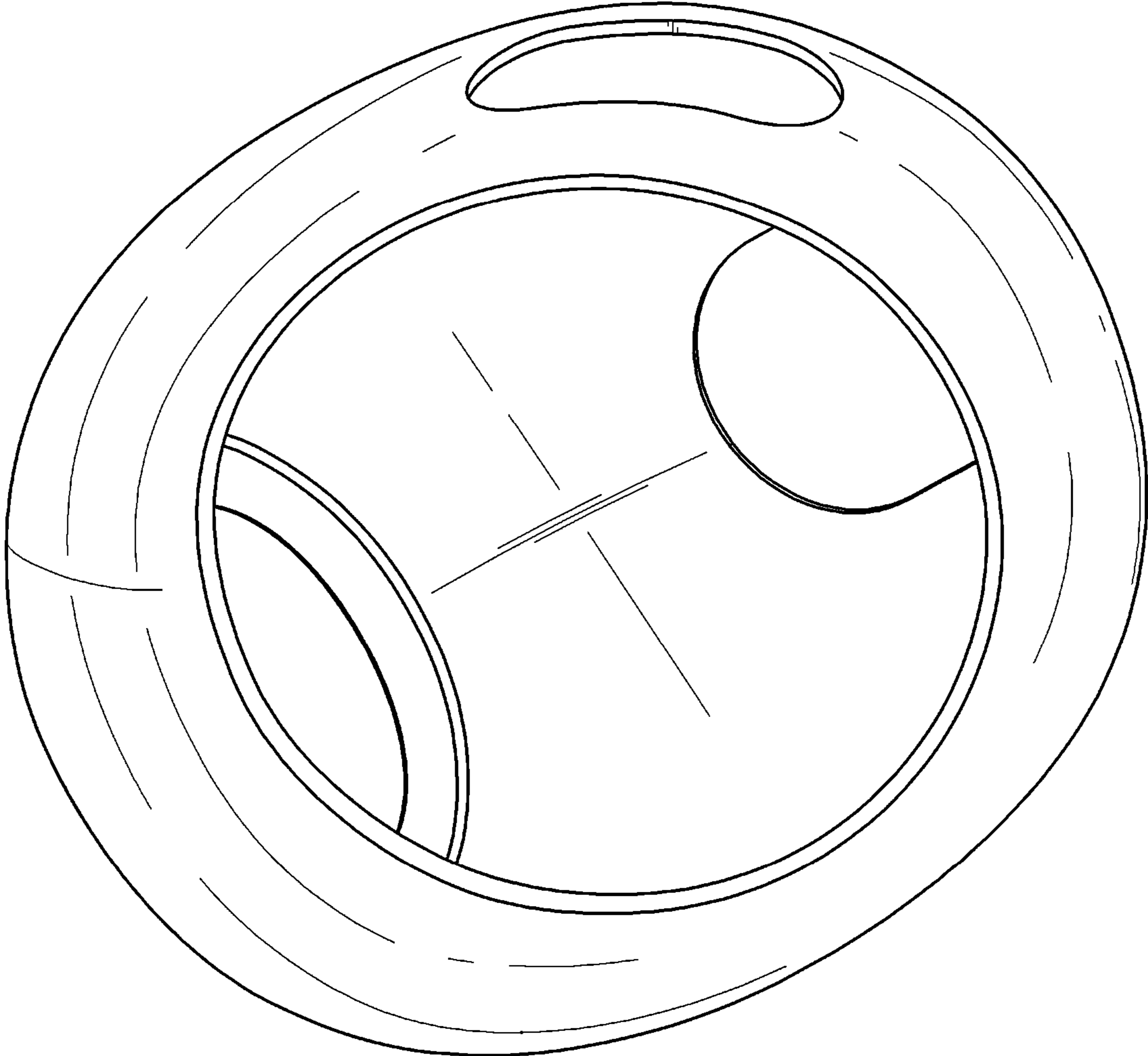


FIG. 9

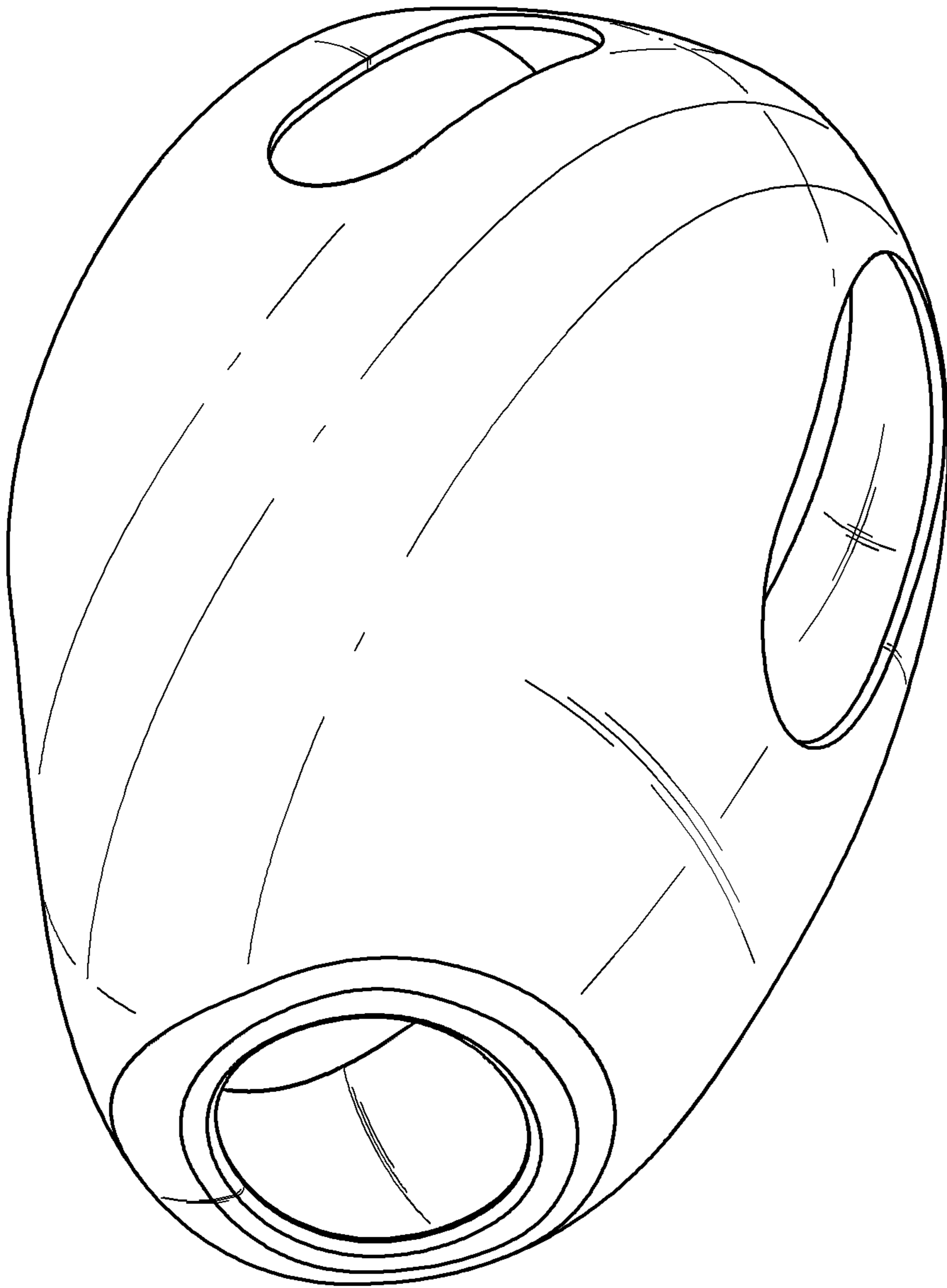


FIG. 10

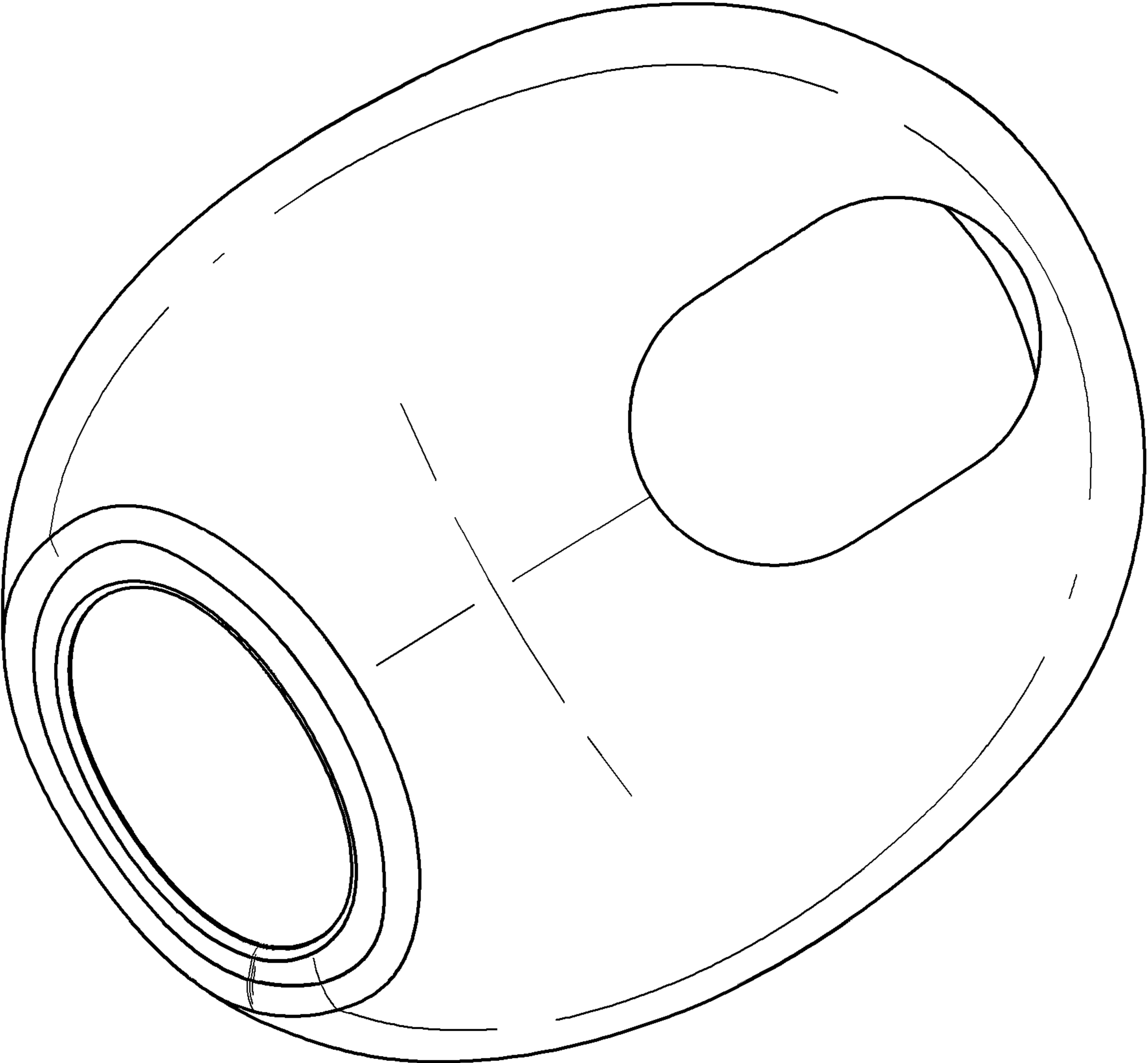


FIG. 11

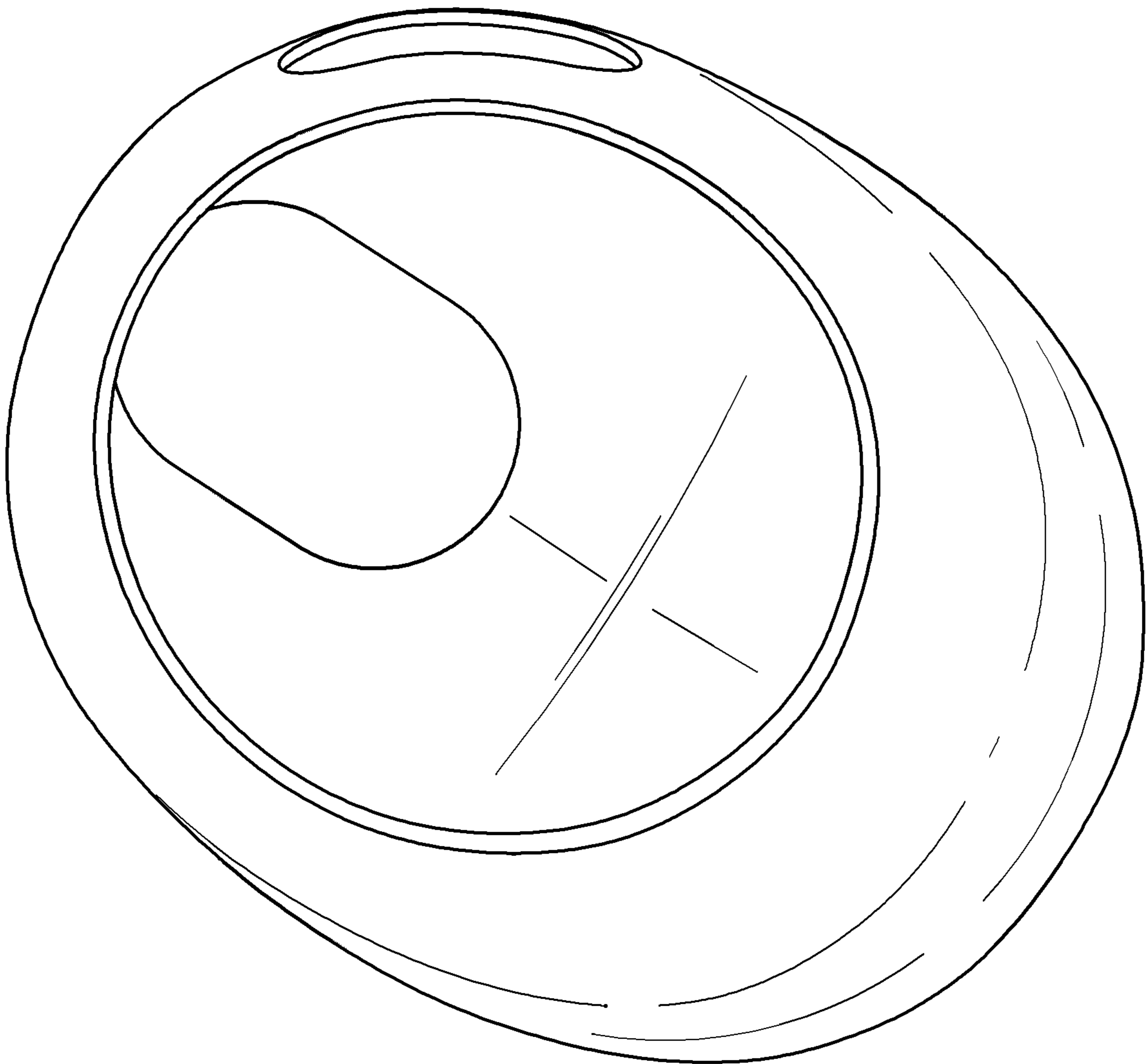


FIG. 12

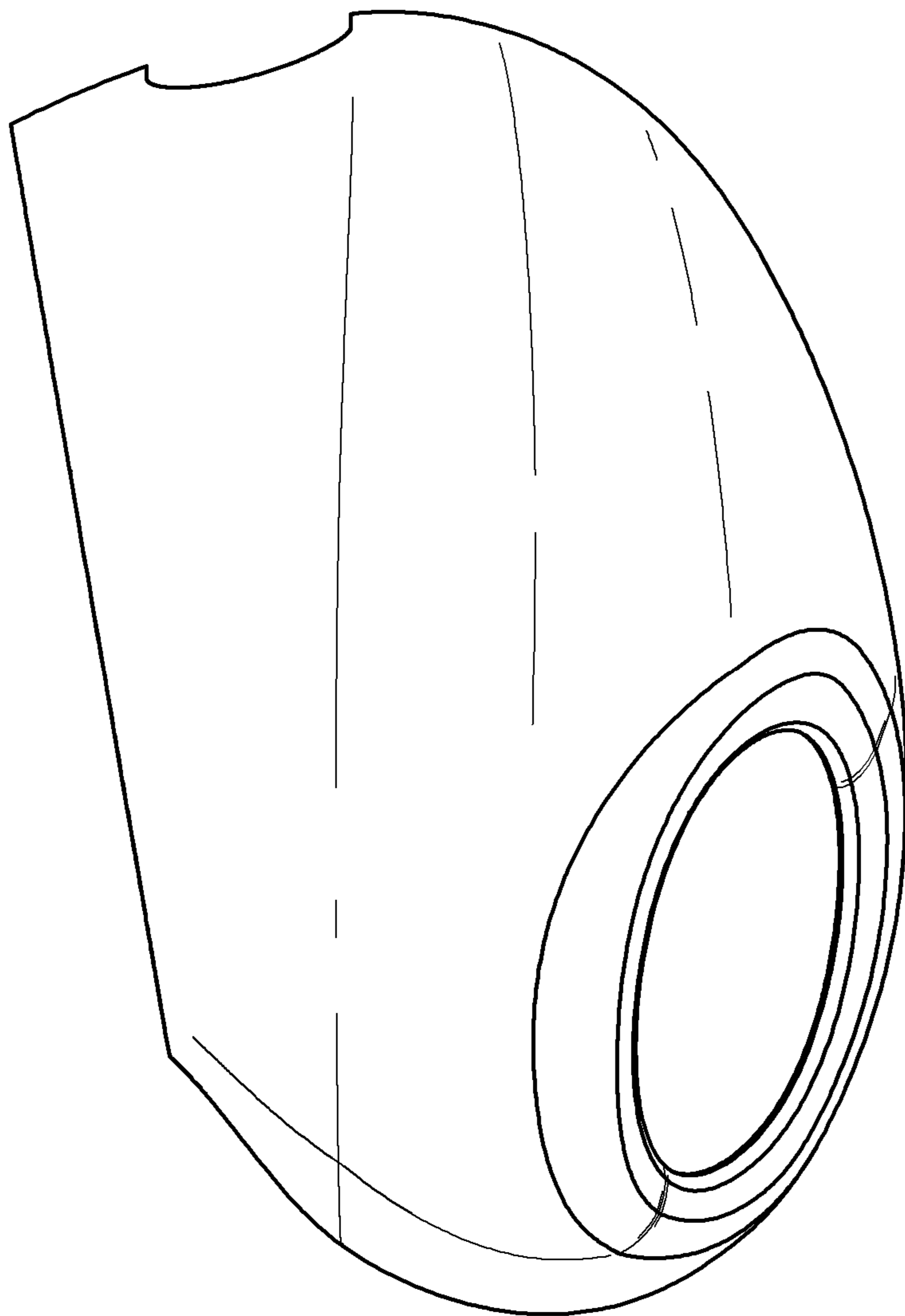


FIG. 13

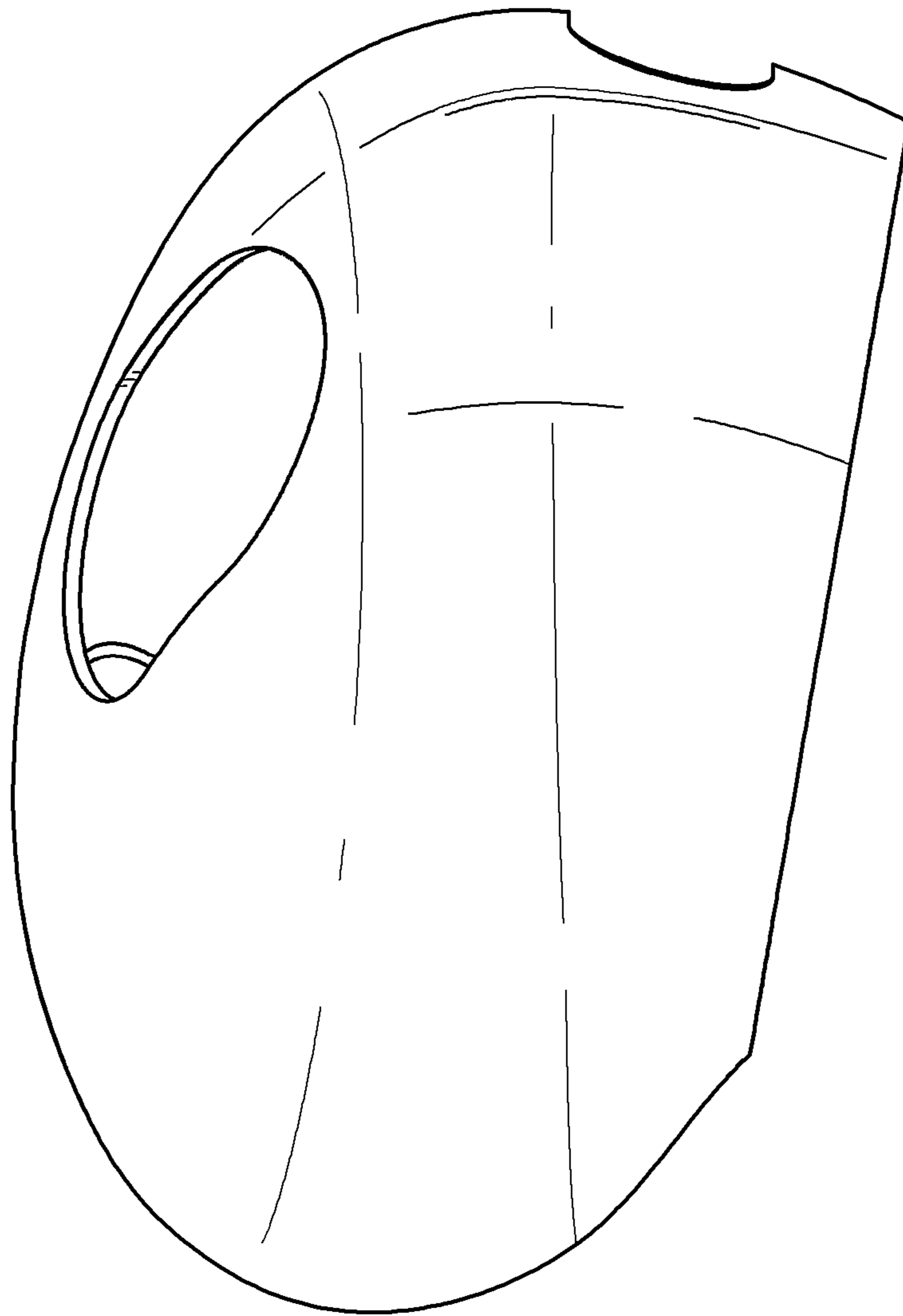


FIG. 14

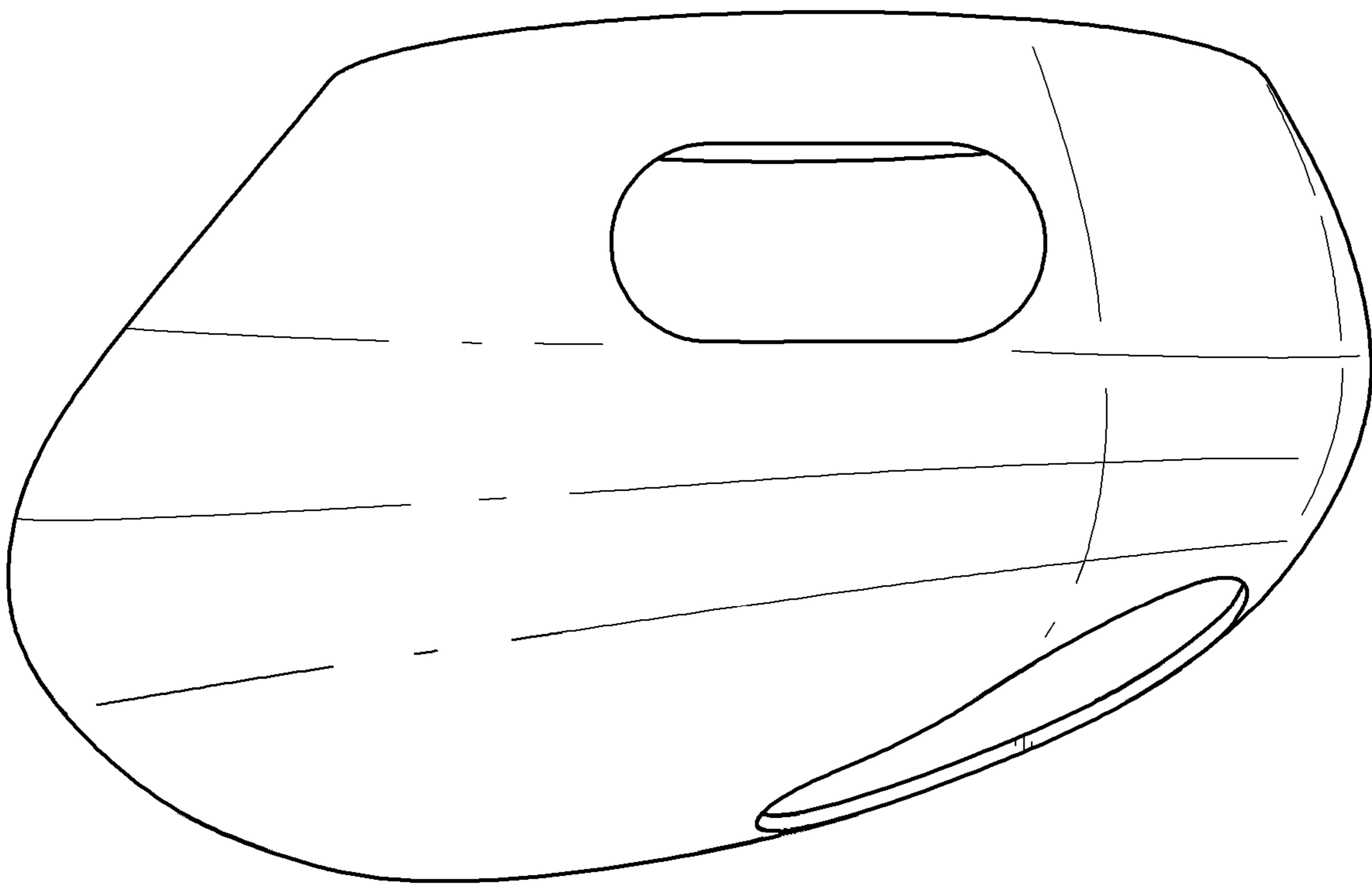


FIG. 15

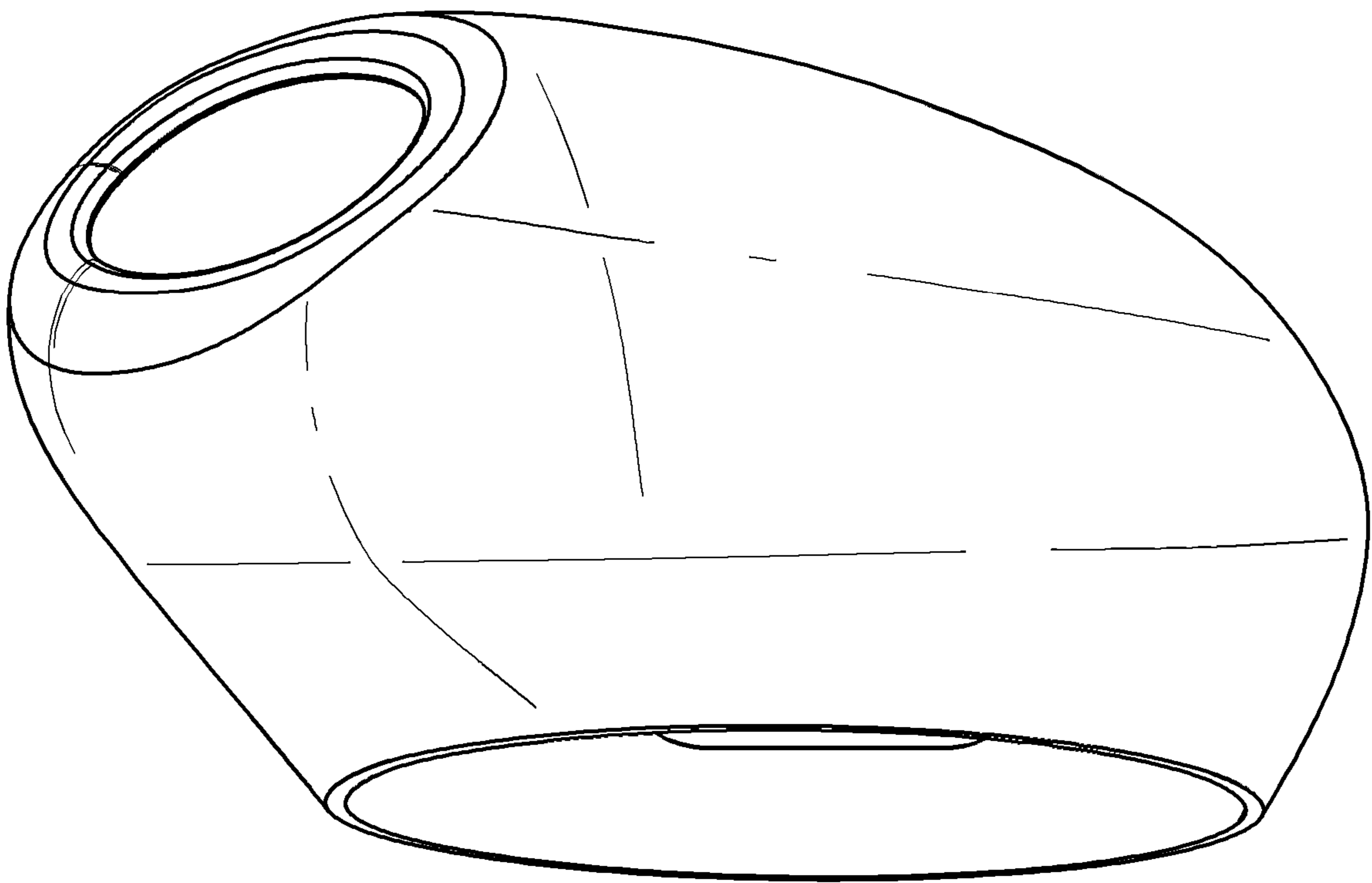


FIG. 16

