

US00D970476S

(12) **United States Design Patent**
Lin

(10) **Patent No.:** **US D970,476 S**

(45) **Date of Patent:** **** Nov. 22, 2022**

(54) **REMOTE CONTROL FOR TELEVISION**

(71) Applicant: **Yuxian Lin**, Taoyuan (TW)

(72) Inventor: **Yuxian Lin**, Taoyuan (TW)

(**) Term: **15 Years**

(21) Appl. No.: **29/845,743**

(22) Filed: **Jul. 11, 2022**

(51) **LOC (13) Cl.** **14-03**

(52) **U.S. Cl.**
USPC **D14/218**

(58) **Field of Classification Search**
USPC D14/218, 217; D13/168
CPC H04N 21/42222
See application file for complete search history.

(56) **References Cited**

U.S. PATENT DOCUMENTS

D664,945 S *	8/2012	Morris	D14/218
D689,468 S *	9/2013	Lim	D14/218
D723,009 S	2/2015	Chang		
D740,793 S *	10/2015	Jobetto	D14/225
D809,485 S *	2/2018	McManigal	D14/218
D856,307 S *	8/2019	Maeda	D14/218
D856,308 S *	8/2019	Pang	D14/218
D857,665 S *	8/2019	Young	D14/218
D898,706 S *	10/2020	Jiang	D14/218
D901,445 S *	11/2020	Huang	D14/218
D924,180 S *	7/2021	Christopher	D13/168
D925,473 S *	7/2021	Dolezel	D13/168
D931,836 S *	9/2021	Pinto Couto	D14/218

D934,838 S *	11/2021	Warrick	D14/218
D937,813 S *	12/2021	Lee	D14/218
D937,814 S *	12/2021	Lee	D14/218
11,271,413 B2 *	3/2022	Nguyen	A61L 2/26
D953,298 S *	5/2022	Zheng	D14/218
D953,299 S *	5/2022	Morimoto	D14/218
11,375,263 B2 *	6/2022	Shohara	H04N 21/42204
D958,760 S *	7/2022	Baek	D13/168

* cited by examiner

Primary Examiner — Cynthia R Underwood

(57) **CLAIM**

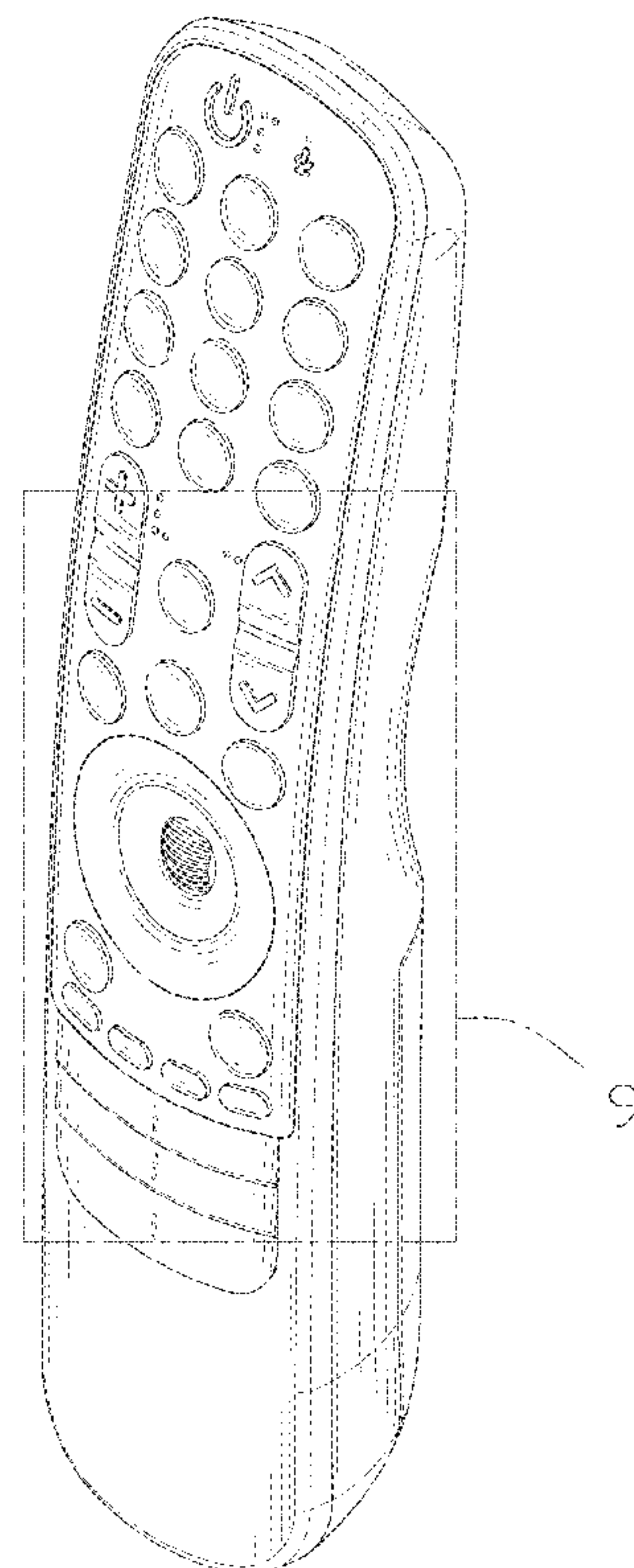
The ornamental design for a remote control for television, as shown and described.

DESCRIPTION

FIG. 1 is a front and top perspective view of a remote control for television, showing my new design;
FIG. 2 is a rear and bottom perspective view thereof;
FIG. 3 is a front elevation view thereof;
FIG. 4 is a rear elevation view thereof;
FIG. 5 is a left side elevation view thereof;
FIG. 6 is a right side elevation view thereof;
FIG. 7 is a top plan view thereof;
FIG. 8 is a bottom plan view thereof; and,
FIG. 9 is an enlarged view of a portion indicated with numeric 9 in FIG.1.

The dashed lines in the figures illustrate portions of the remote control for television that form no part of the claimed design. The dash dot dash lines in FIGS. 1 and 9 are for the purpose of depicting the boundary lines of the enlarged view and form no part of the claimed design.

1 Claim, 9 Drawing Sheets



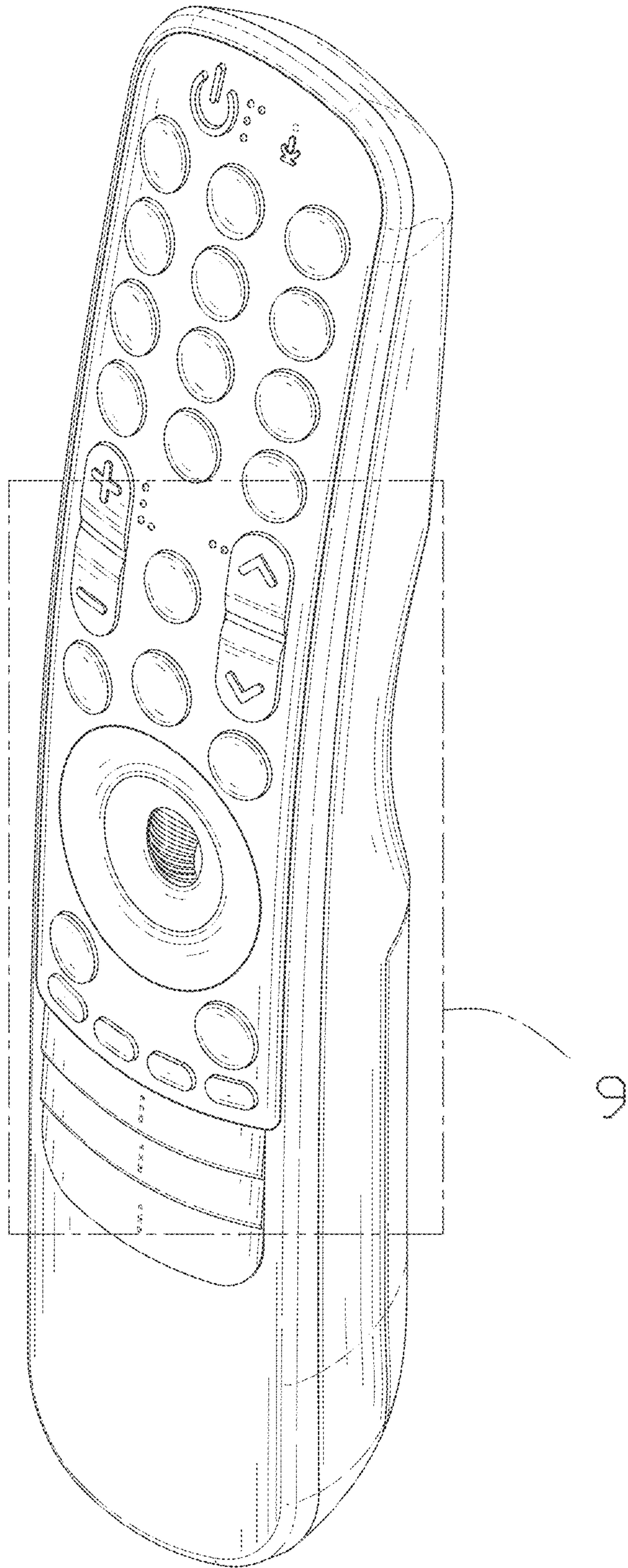


FIG. 1

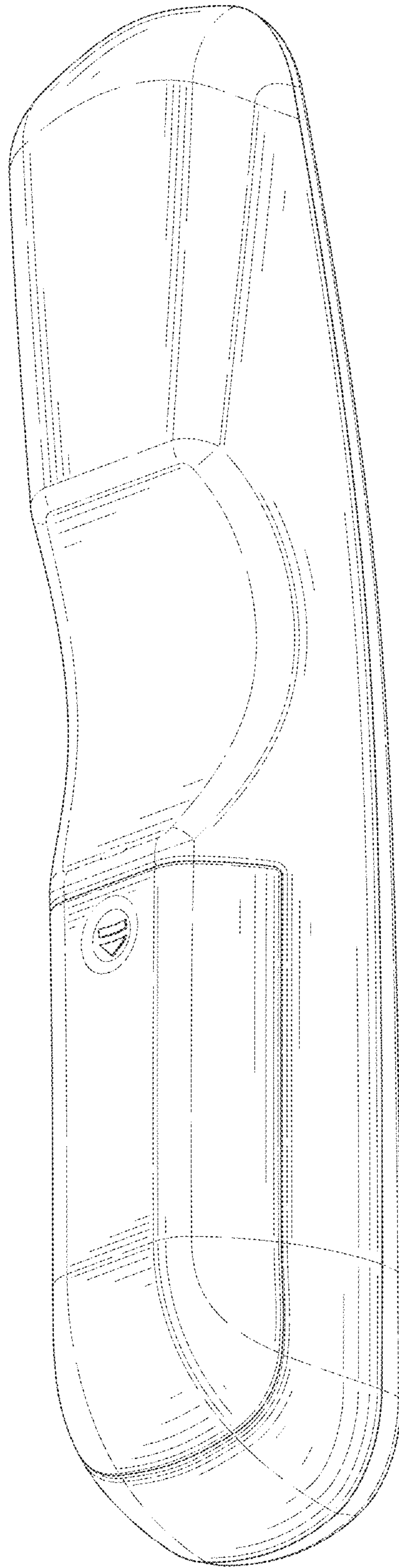


FIG. 2

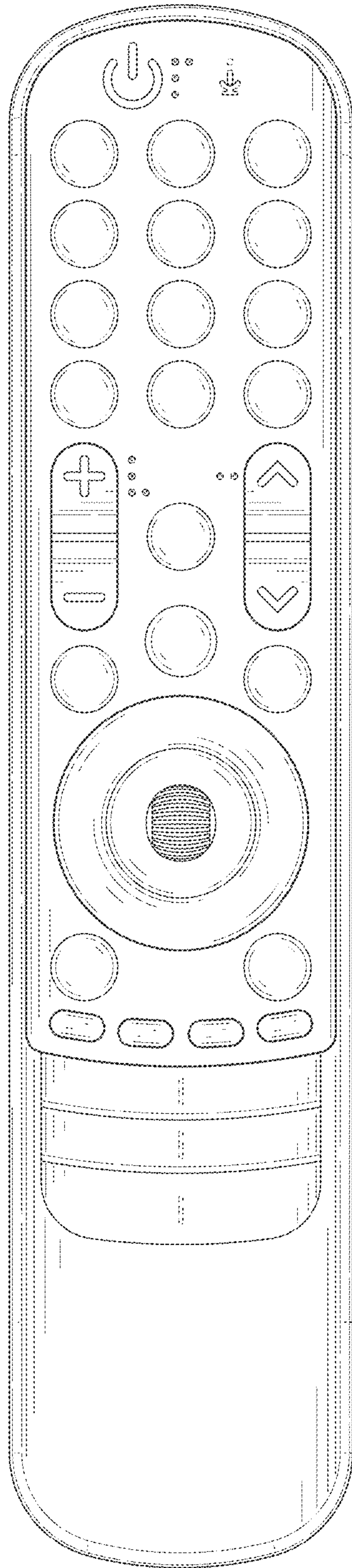


FIG. 3

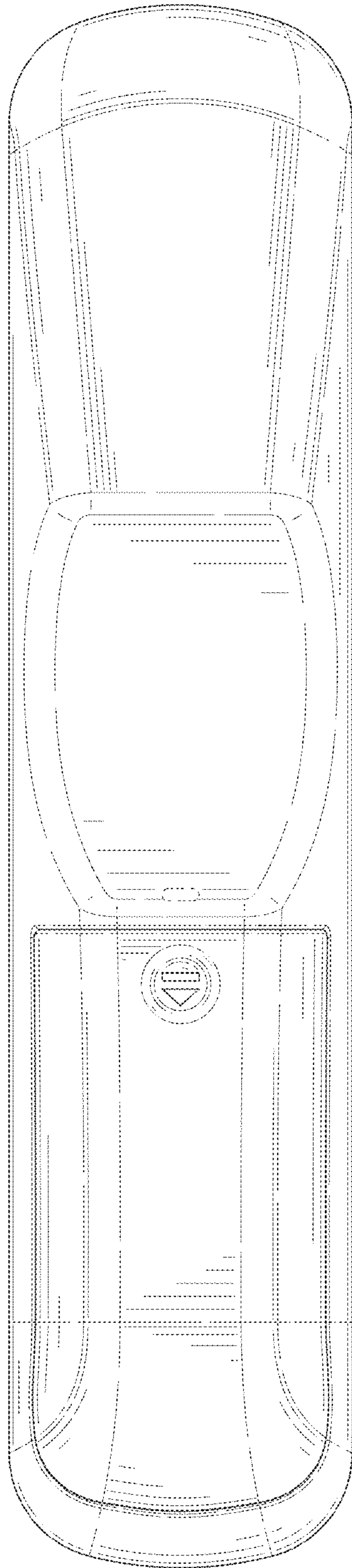


FIG. 4

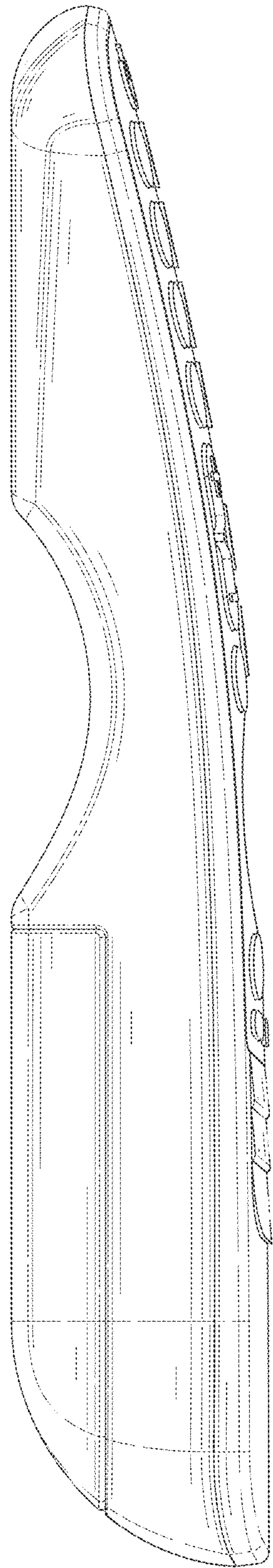


FIG. 5

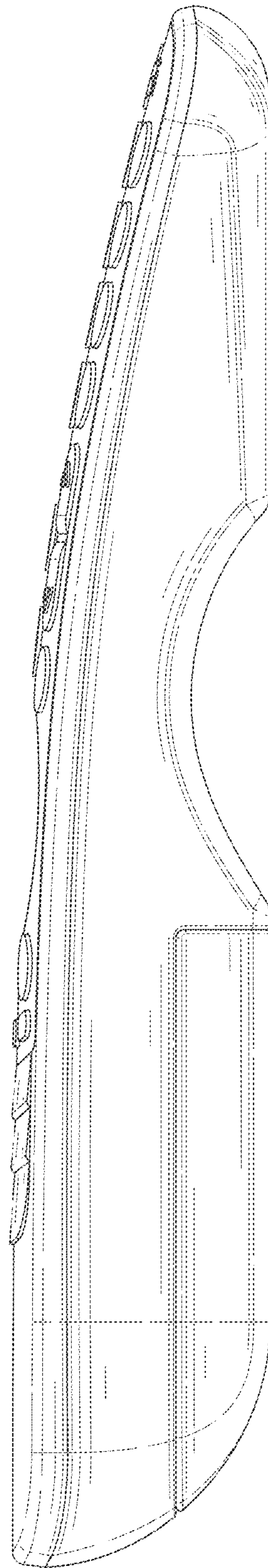


FIG. 6

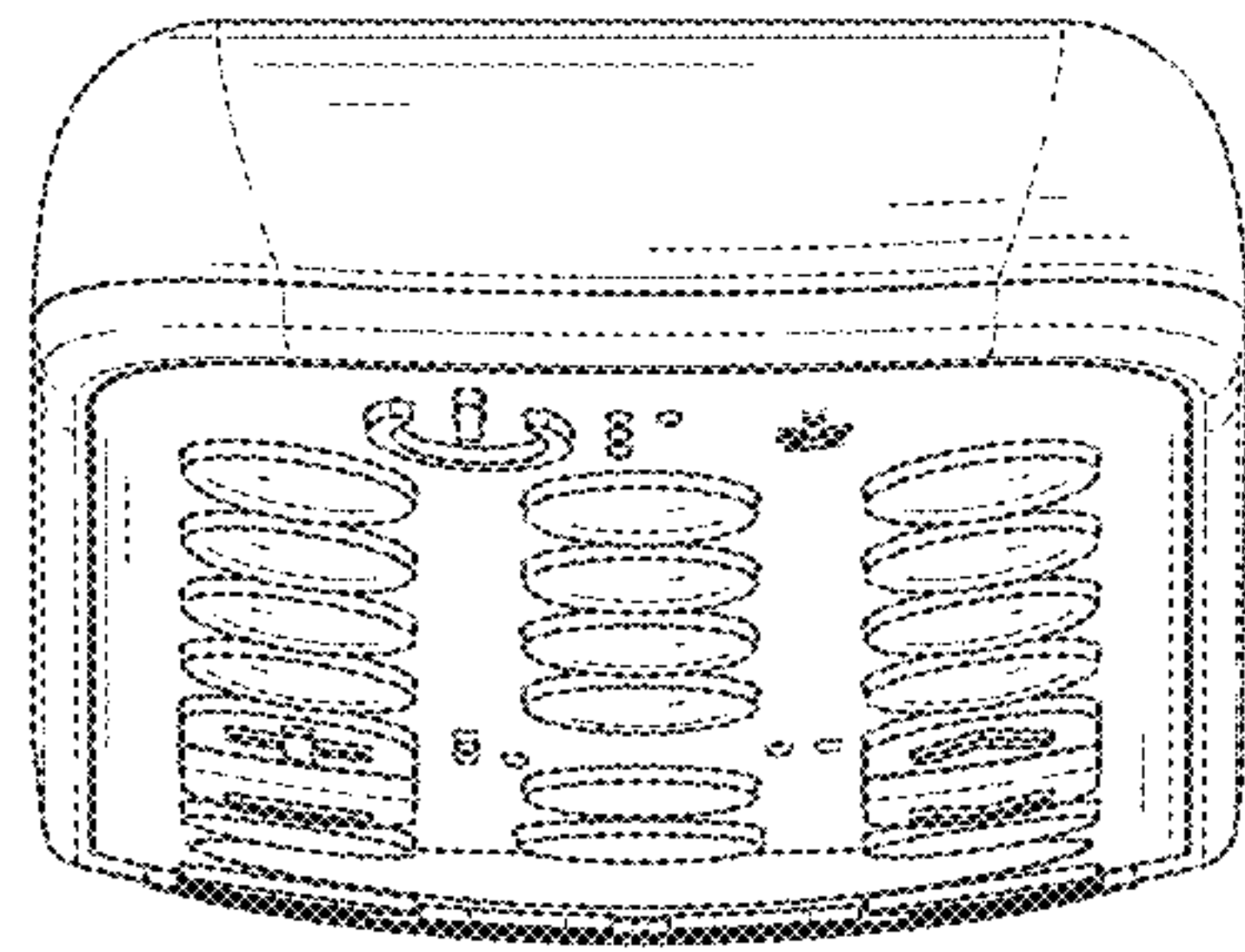


FIG. 7

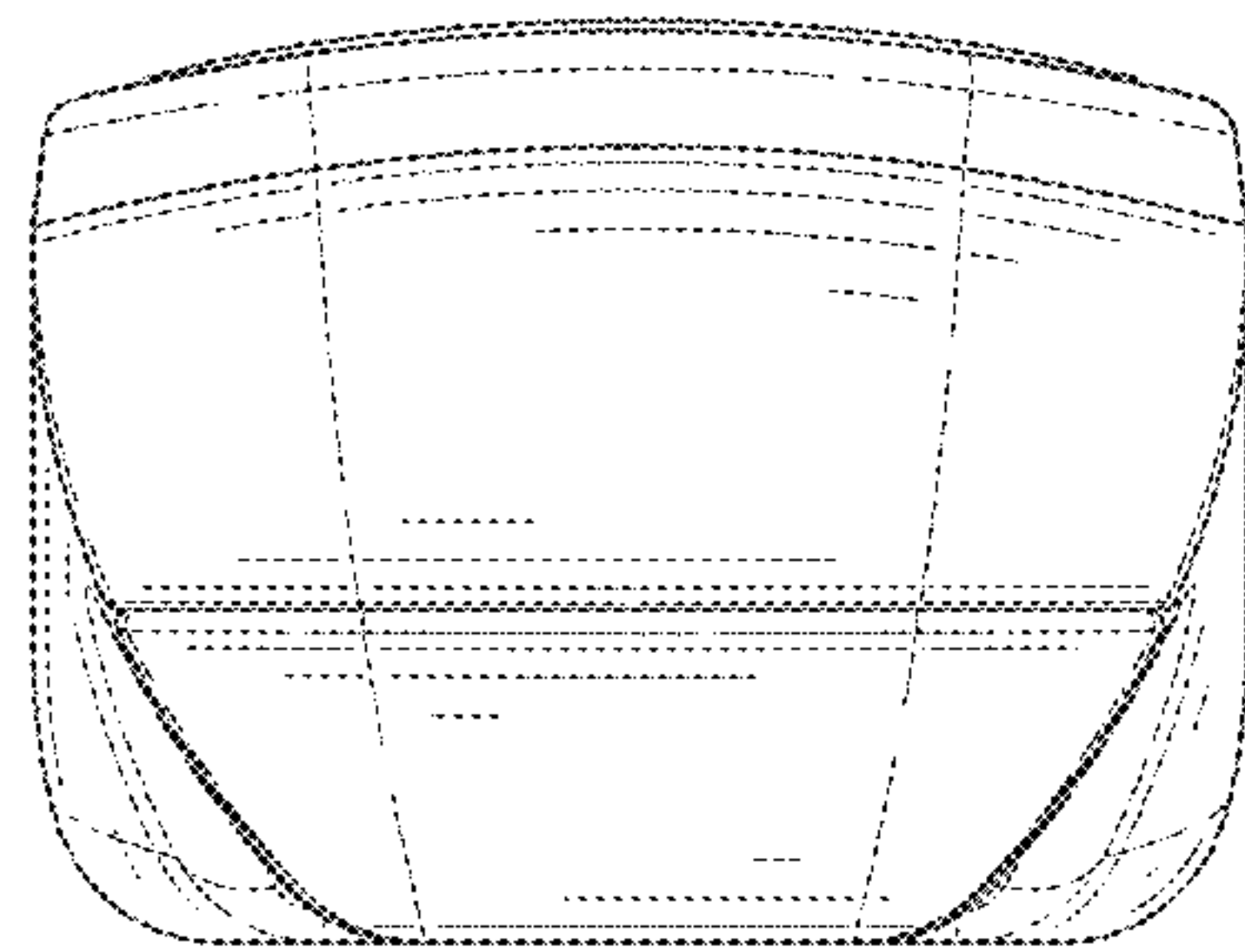


FIG. 8

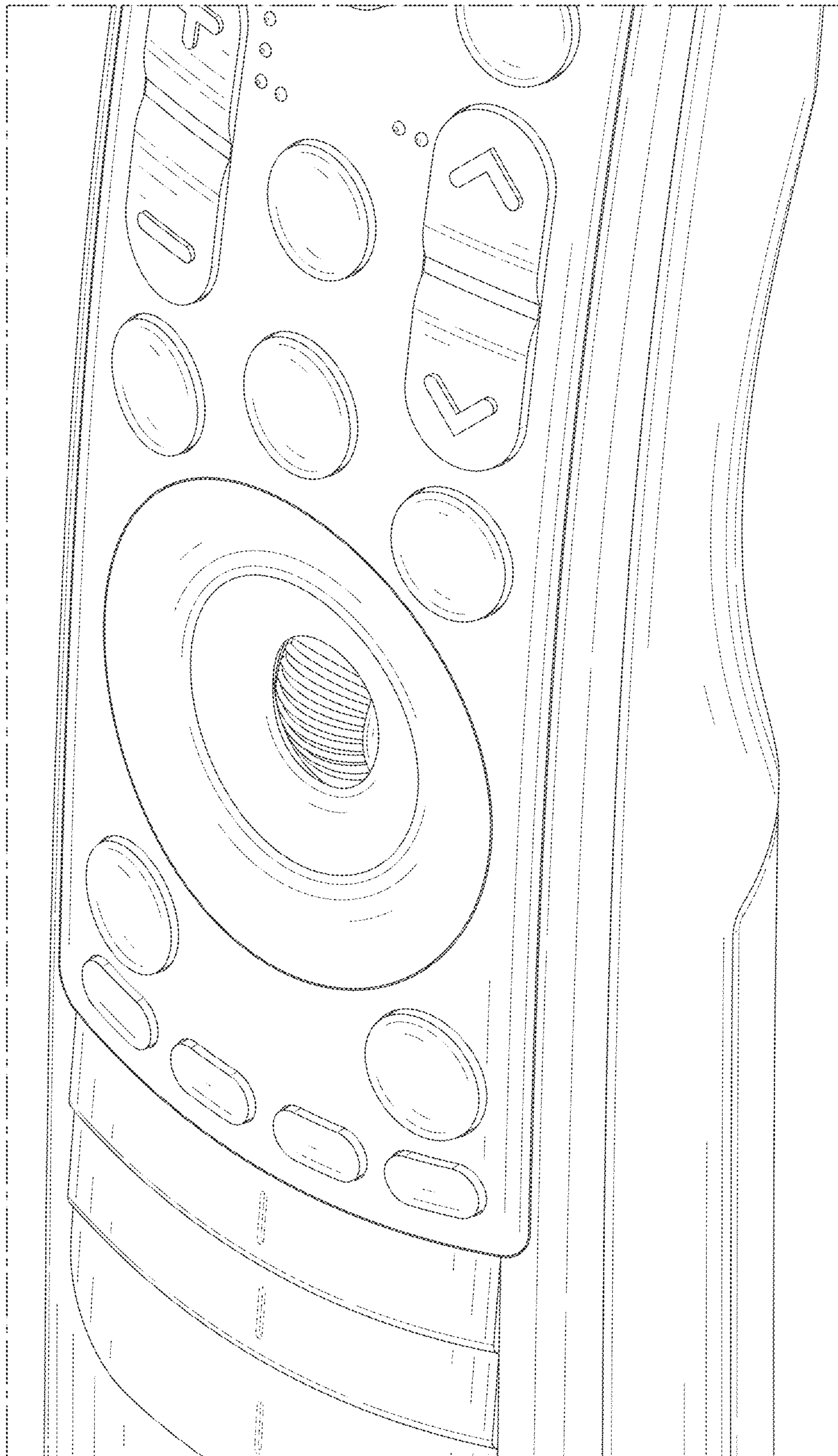


FIG. 9