



US00D970475S

(12) **United States Design Patent** (10) **Patent No.:** **US D970,475 S**  
**Zhou** (45) **Date of Patent:** **\*\* Nov. 22, 2022**

(54) **REMOTE CONTROLLER FOR CAMERA**  
(71) Applicant: **SHENZHEN NEEWER TECHNOLOGY CO. LTD**, Shenzhen (CN)  
(72) Inventor: **Zichuan Zhou**, Shenzhen (CN)  
(73) Assignee: **SHENZHEN NEEWER TECHNOLOGY CO. LTD**, Shenzhen (CN)

D556,155 S \* 11/2007 Andre ..... D14/218  
D602,473 S \* 10/2009 Moller ..... D14/218  
D714,762 S \* 10/2014 O'Neil ..... D14/218  
D720,791 S \* 1/2015 Nagai ..... D16/219  
D727,394 S \* 4/2015 Kim ..... D16/219  
D749,666 S 2/2016 Ahdoot  
D790,484 S \* 6/2017 Bristol ..... D14/218  
D795,329 S \* 8/2017 Martin ..... D16/245  
D802,650 S 11/2017 Hoshi

(Continued)

(\*\*) Term: **15 Years**  
(21) Appl. No.: **29/796,147**  
(22) Filed: **Jun. 23, 2021**  
(51) **LOC (13) Cl.** ..... **14-03**  
(52) **U.S. Cl.**  
USPC ..... **D14/218**; D16/237  
(58) **Field of Classification Search**  
USPC ..... D16/219, 237, 242-245; D8/354, 355,  
D8/363, 373, 382, 383, 394-396;  
D14/218  
CPC ..... G03B 17/56; G03B 17/561-566; G02B  
7/00-002; H04N 5/2253-2254; F16M  
11/06-10; F16M 11/14; A45F 5/00; A45F  
5/10  
See application file for complete search history.

**OTHER PUBLICATIONS**

Bluetooth 5.0 Remote Shutter. [online] Published Feb. 18, 2020. Retrieved Jul. 28, 2022 from URL: <https://www.amazon.com/Upgraded-Bluetooth-Shutter-Android-Wireless/dp/B084VTFS4X> (Year: 2020).\*

(Continued)

*Primary Examiner* — Vy N Koenig  
(74) *Attorney, Agent, or Firm* — Westbridge IP LLC

(57) **CLAIM**

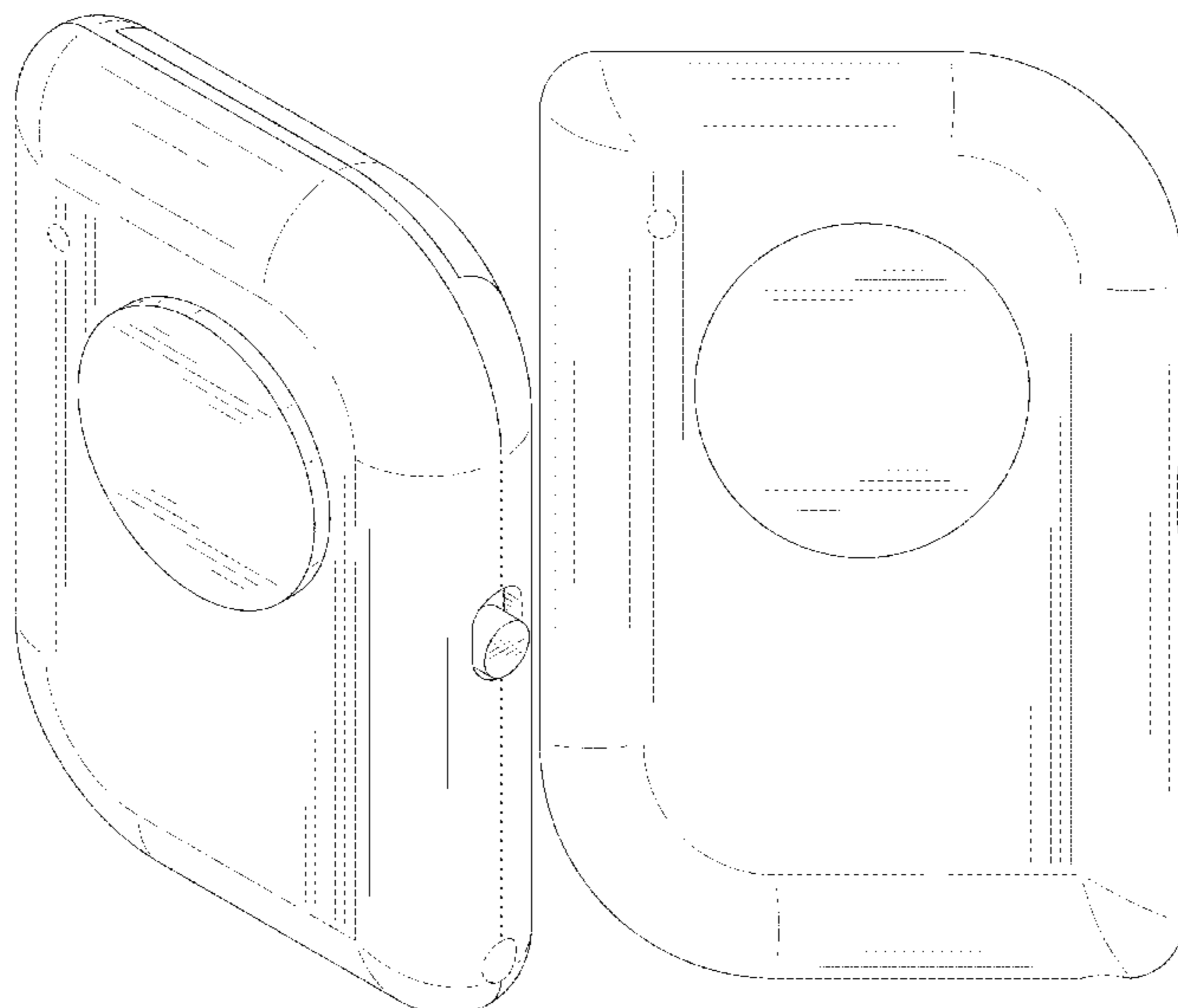
The ornamental design for a remote controller for camera, as shown and described.

**DESCRIPTION**

FIG. 1 is a top, front and right side perspective view of a remote controller for camera showing my new design; FIG. 2 is a bottom, rear and left side perspective view thereof; FIG. 3 is a front elevation view thereof; FIG. 4 is a rear elevation view thereof; FIG. 5 is a left side elevation view thereof; FIG. 6 is a right side elevation view thereof; FIG. 7 is a top plan view thereof; and, FIG. 8 is a bottom plan view thereof. The evenly broken lines in the drawings illustrate portions of the remote controller for camera that form no part of the claim.

**1 Claim, 8 Drawing Sheets**

(56) **References Cited**  
U.S. PATENT DOCUMENTS  
D180,551 S 7/1957 Oechsle  
D307,739 S \* 5/1990 Grant ..... D14/218  
D308,060 S \* 5/1990 Davidson ..... D14/218  
D341,837 S 11/1993 Curbbun  
D342,256 S 12/1993 Payne et al.  
D342,260 S 12/1993 Sakata  
D366,262 S 1/1996 Inaba  
D366,665 S 1/1996 Morohoshi et al.  
D381,662 S 7/1997 Weissberg et al.  
D430,143 S 8/2000 Renk



(56)

**References Cited**

U.S. PATENT DOCUMENTS

D852,771 S	*	7/2019	Hu	.....	D14/155
D874,439 S	*	2/2020	Gong	.....	D14/218
D917,700 S	*	4/2021	Christiansen	.....	D24/174
D941,269 S	*	1/2022	Hao	.....	D14/218
D948,480 S	*	4/2022	Yang	.....	D14/218

OTHER PUBLICATIONS

Wireless Smartphone Camera Remote Control Shutter. [online]  
Retrieved Jul. 28, 2022 from URL:<https://www.walmart.com/ip/Wireless-Smartphone-Camera-Remote-Control-Shutter-For-Android-And-IOS-Compatible/485482167> (Year: 2022).\*

\* cited by examiner

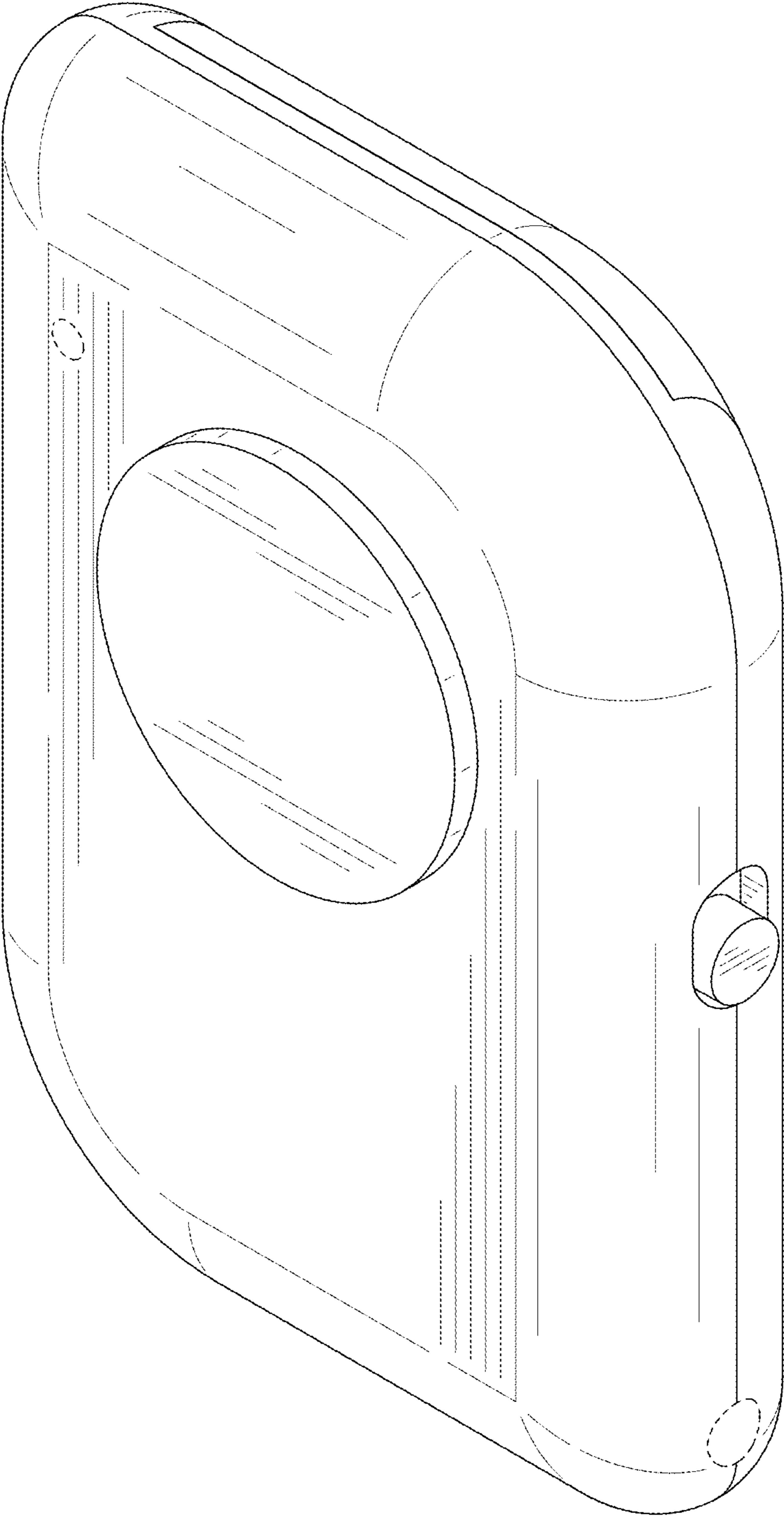


FIG. 1

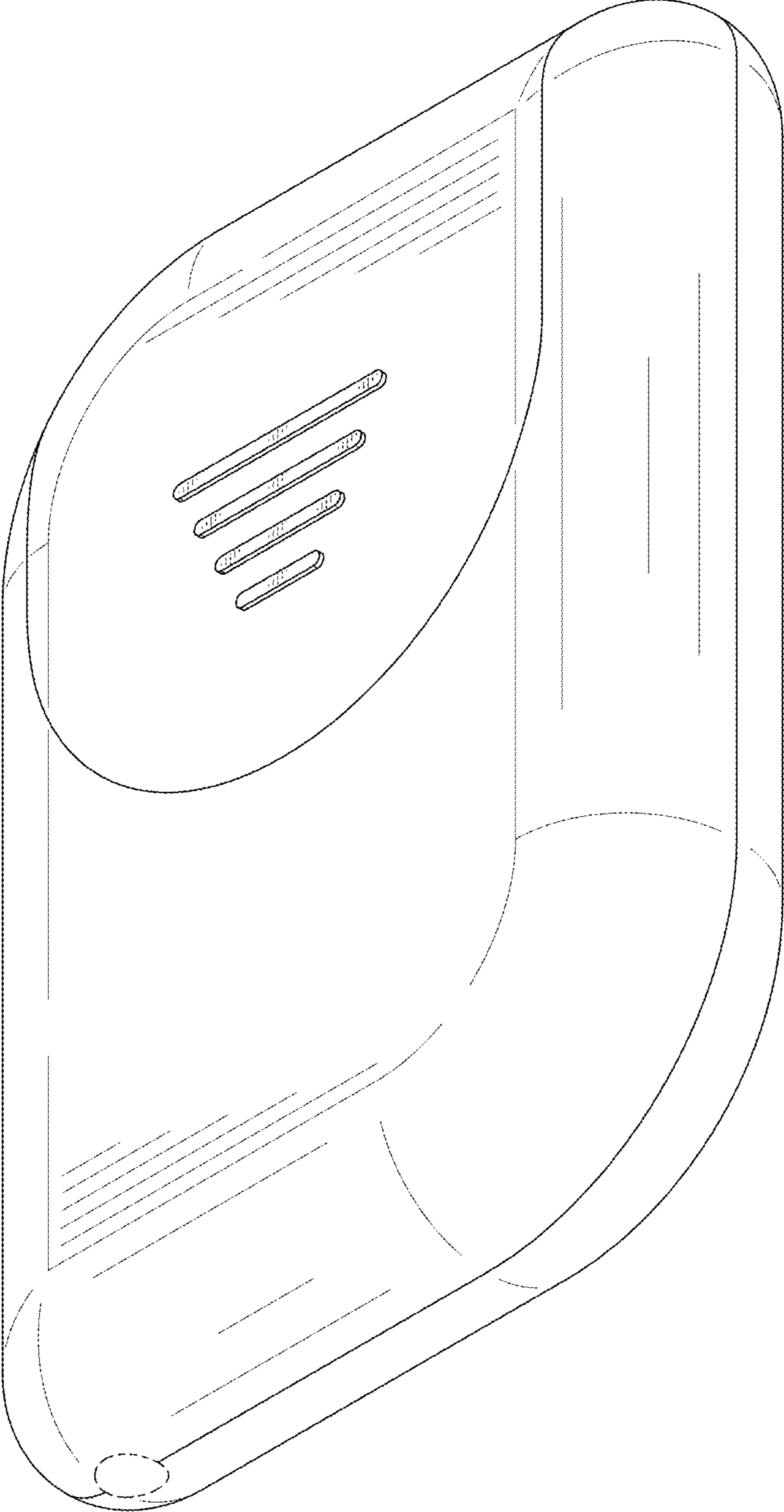


FIG. 2

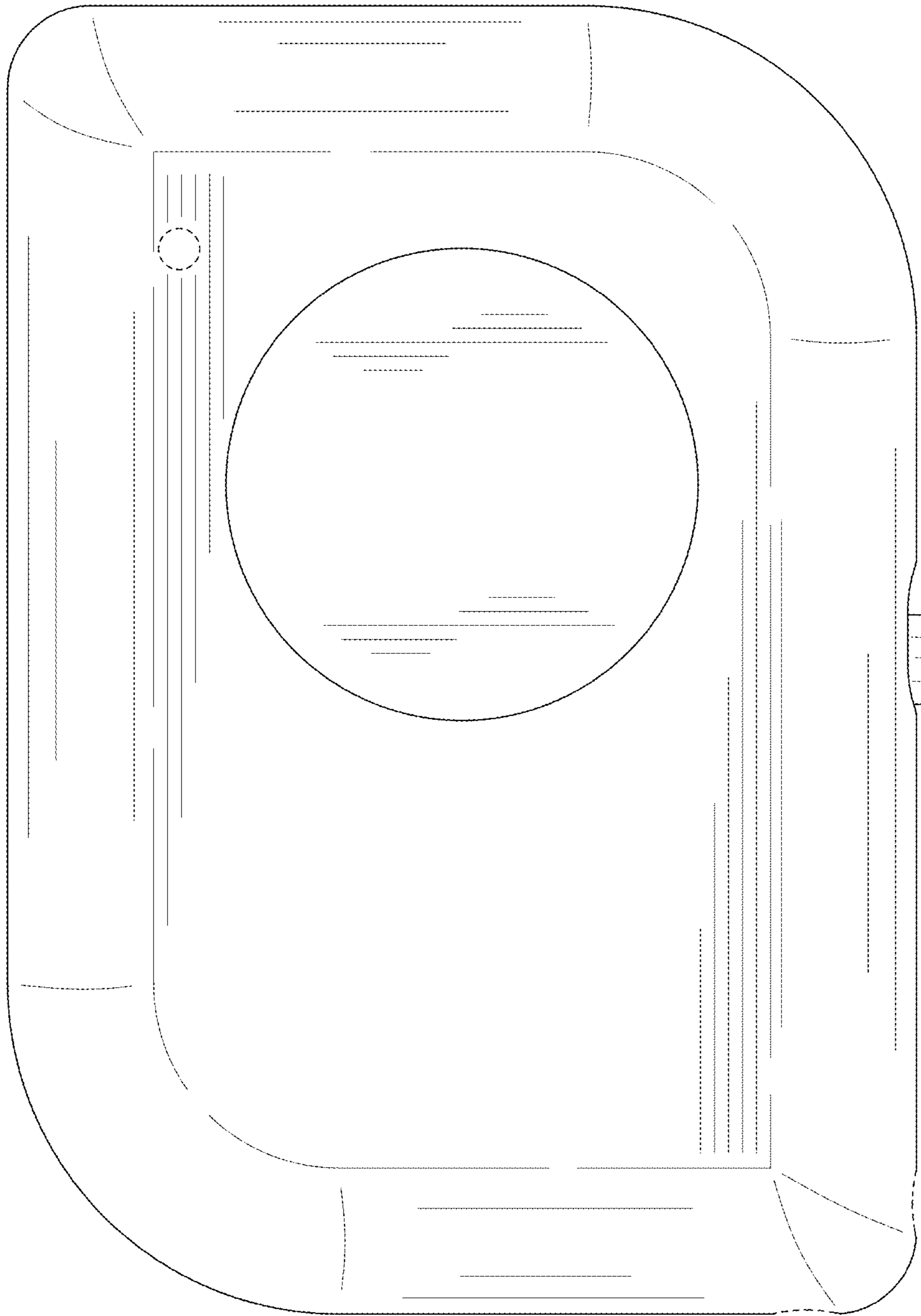


FIG. 3

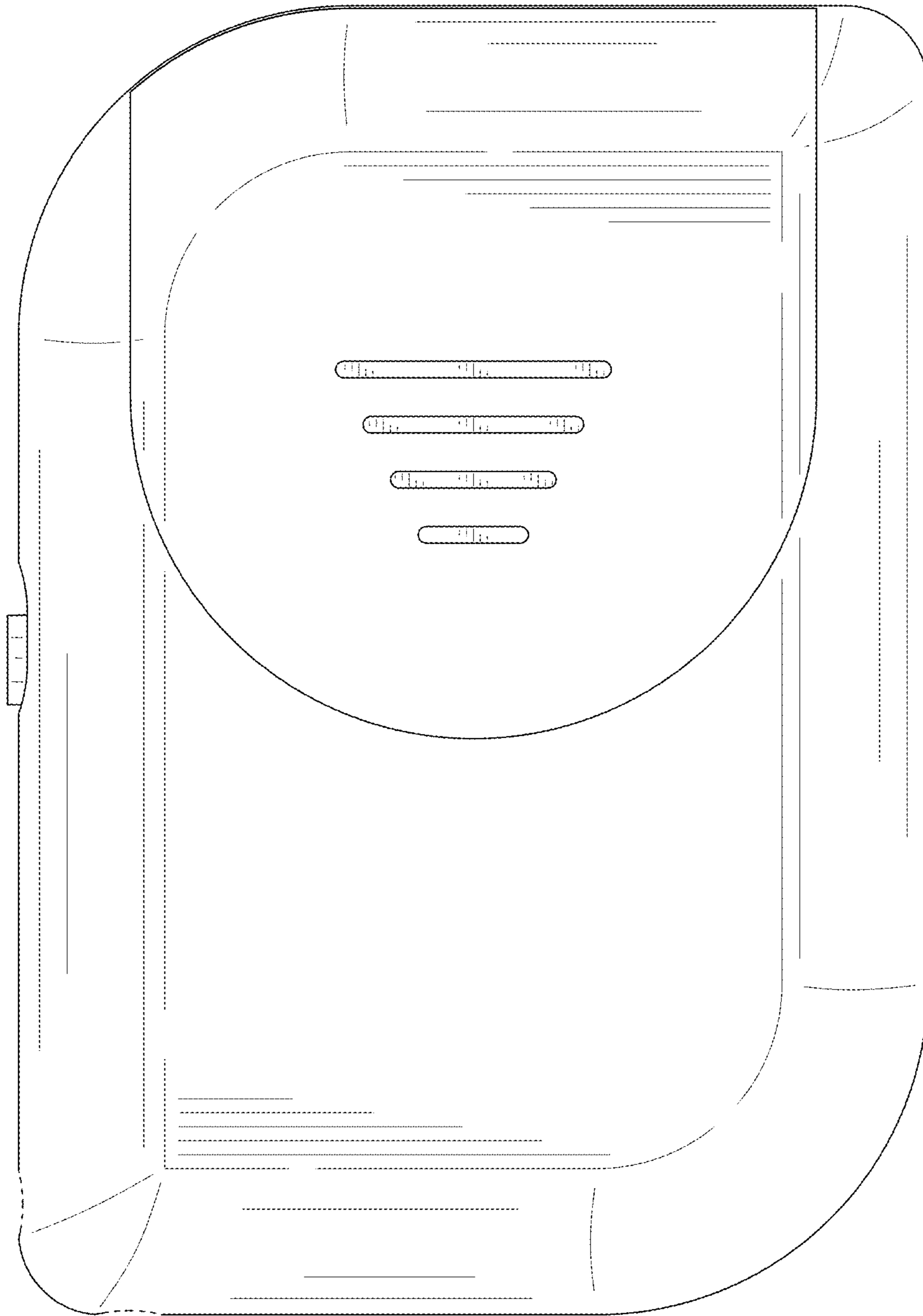


FIG. 4

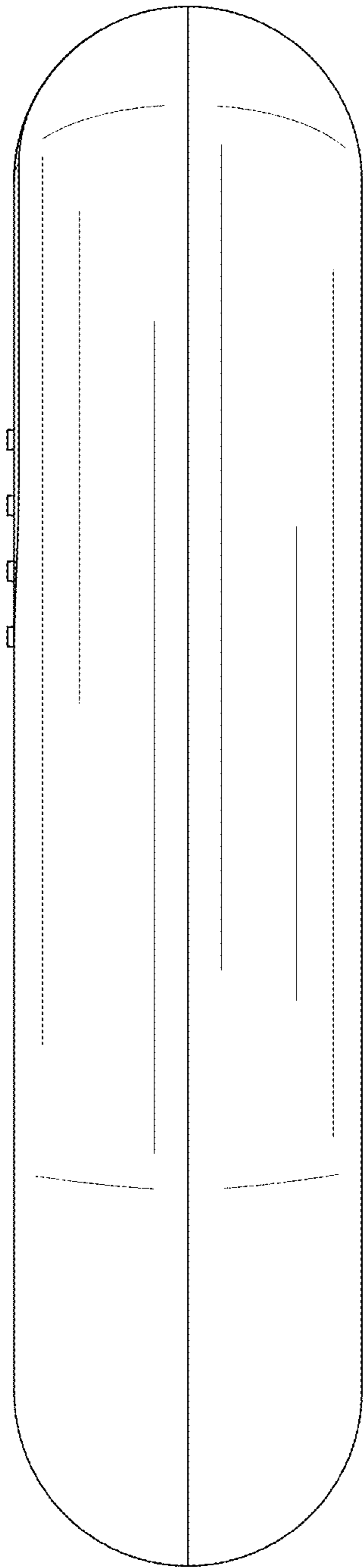


FIG. 5

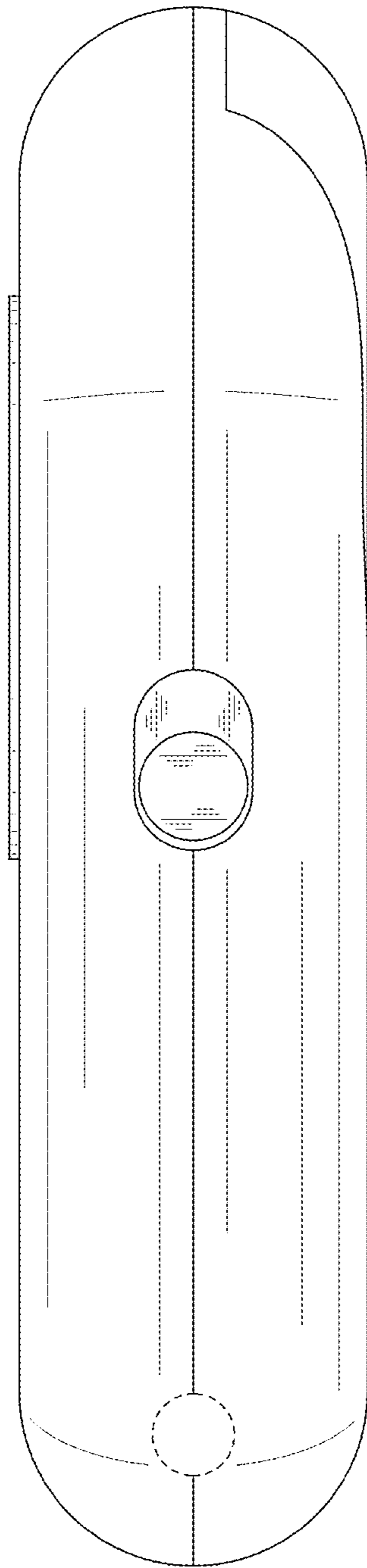


FIG. 6



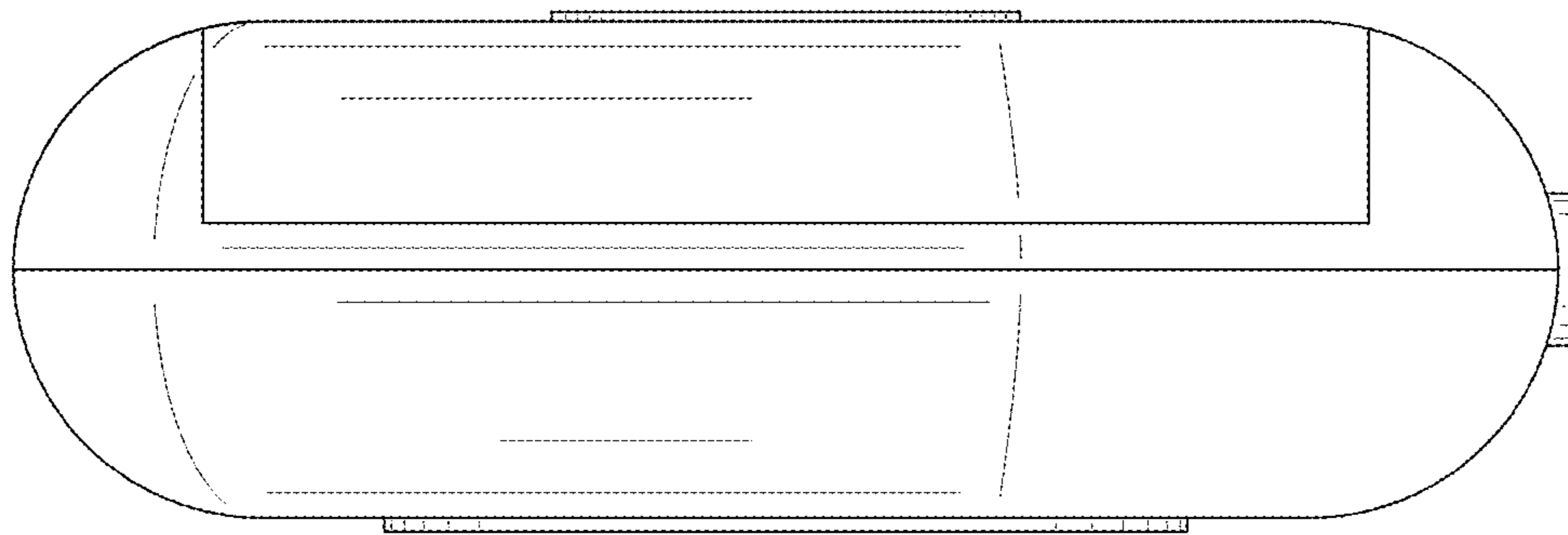


FIG. 7

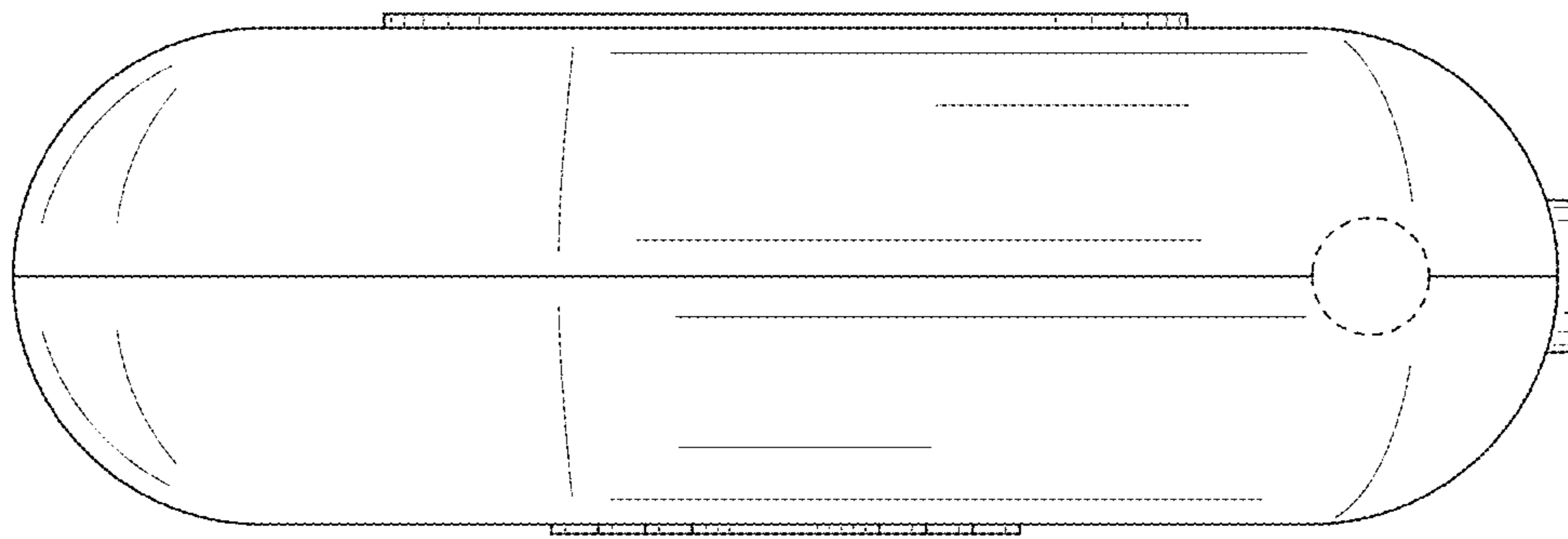


FIG. 8