



US00D970469S

(12) **United States Design Patent** (10) **Patent No.:** **US D970,469 S**
Tong (45) **Date of Patent:** **** Nov. 22, 2022**

(54) **HEADPHONE**

(71) Applicant: **Razer (Asia-Pacific) Pte. Ltd.**,
Singapore (SG)

(72) Inventor: **Ien Yu Tong**, Singapore (SG)

(73) Assignee: **Razer (Asia-Pacific) Pte. Ltd.**,
Singapore (SG)

(**) Term: **15 Years**

(21) Appl. No.: **29/847,047**

(22) Filed: **Jul. 21, 2022**

Related U.S. Application Data

(62) Division of application No. 29/751,013, filed on Sep.
17, 2020.

(51) **LOC (13) Cl.** **14-01**

(52) **U.S. Cl.**
USPC **D14/205**

(58) **Field of Classification Search**
USPC D14/205, 206; D29/112; 2/209;
381/380-381, 370, 374

CPC H04R 25/00; H04R 25/02; H04R 1/1066;
H04R 1/1016; H04R 5/033; H04R
5/0335; H04R 5/00; H04R 1/1091

See application file for complete search history.

(56) **References Cited**

U.S. PATENT DOCUMENTS

D246,519 S * 11/1977 Kato D14/205
D254,183 S * 2/1980 Doodson D14/205
4,189,788 A * 2/1980 Schenke H04R 1/1066
2/209

(Continued)

FOREIGN PATENT DOCUMENTS

EM 008462071-0002 * 3/2021
EM 008462071-0005 * 3/2021

(Continued)

Primary Examiner — Paula Allen Greene

(74) *Attorney, Agent, or Firm* — Polsinelli PC

(57) **CLAIM**

I claim the ornamental design for a headphone, as shown and described.

DESCRIPTION

FIG. 1 perspective view of a first embodiment of the headphone, showing my new design;

FIG. 2 is a front elevational view thereof;

FIG. 3 is a rear elevational view thereof;

FIG. 4 is a left side elevational view thereof;

FIG. 5 is a right side elevation view thereof;

FIG. 6 is a top plan view thereof; and

FIG. 7 is a bottom plan view thereof.

FIG. 8 is a perspective view of a second embodiment of the headphone;

FIG. 9 is a front elevational view thereof;

FIG. 10 is a rear elevational view thereof;

FIG. 11 is a left side elevational view thereof;

FIG. 12 is a right side elevational view thereof;

FIG. 13 is a top plan view thereof; and

FIG. 14 is a bottom plan view thereof.

FIG. 15 is a perspective view of a third embodiment of the headphone;

FIG. 16 is a front elevational view thereof;

FIG. 17 is a rear elevational view thereof;

FIG. 18 is a left side elevational view thereof;

FIG. 19 is a right side elevational view thereof;

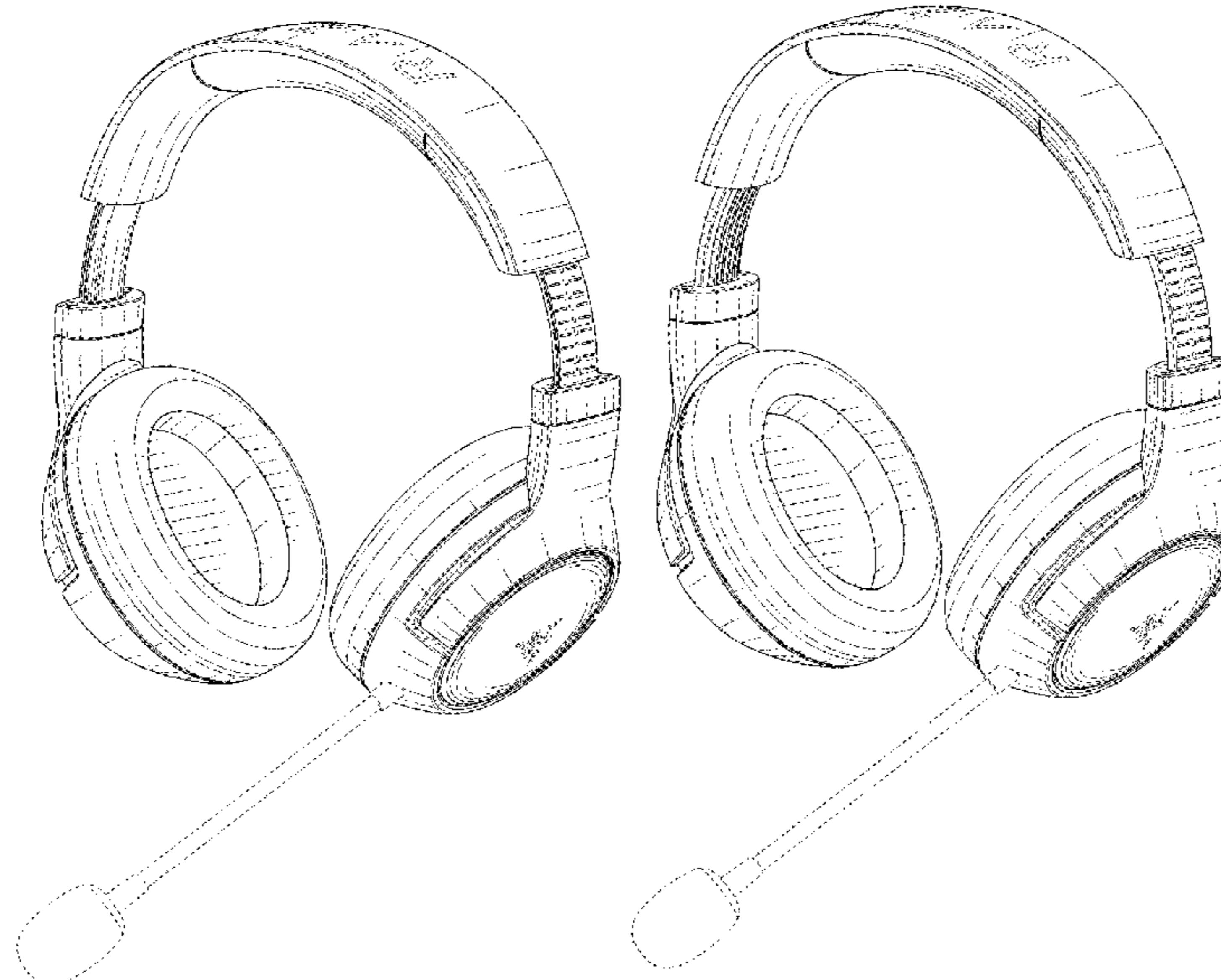
FIG. 20 is a top plan view thereof; and,

FIG. 21 is a bottom plan view thereof.

The broken lines are for illustrating portions of the headphone which form no part of the claimed design.

The stippling represents a contrast in appearance as shown.

1 Claim, 21 Drawing Sheets



(56)

References Cited

U.S. PATENT DOCUMENTS

4,499,593 A * 2/1985 Antle H04R 1/1066
 381/378
 4,542,803 A * 9/1985 Houng H04R 1/1058
 181/129
 D302,429 S * 7/1989 Leer D14/206
 4,987,592 A * 1/1991 Flagg H04R 1/08
 379/430
 4,999,846 A * 3/1991 Ball A42B 1/22
 2/418
 D333,137 S * 2/1993 Burke D14/206
 D345,981 S * 4/1994 Burke D14/206
 D376,598 S * 12/1996 Hayashi D14/206
 5,793,878 A * 8/1998 Chang H04R 5/0335
 D14/206
 D398,309 S * 9/1998 Bergin D14/206
 6,016,347 A * 1/2000 Magnasco H04R 1/1041
 379/430
 D518,474 S * 4/2006 Suzuki D14/205
 D576,604 S * 9/2008 Suzuki D14/205
 D592,639 S * 5/2009 Kuh D14/205
 D635,958 S * 4/2011 Ando D14/205
 D761,761 S * 7/2016 Ando D14/205
 D778,258 S * 2/2017 Hsu D14/205
 D805,055 S * 12/2017 Kelly D14/205

D811,365 S * 2/2018 Czaniecki D14/205
 D817,303 S * 5/2018 Tragatschnig D14/205
 D828,326 S * 9/2018 Ye D14/205
 D840,370 S * 2/2019 Kelly D14/205
 10,250,966 B2 * 4/2019 Zheng H04R 1/1016
 D851,627 S * 6/2019 ter Laag D14/205
 D854,513 S * 7/2019 Miyake D14/206
 D869,437 S * 12/2019 Hu D14/205
 D887,391 S * 6/2020 Chong D14/205
 D896,203 S * 9/2020 Tong D14/206
 D920,953 S * 6/2021 Tong D14/205
 D933,041 S * 10/2021 Rois D14/205
 D937,807 S * 12/2021 Tong D14/205
 D943,548 S * 2/2022 Wang D14/205
 D951,909 S * 5/2022 He D14/206
 2003/0210801 A1 * 11/2003 Naksen H04R 1/1066
 381/376
 2006/0104471 A1 * 5/2006 Tsunoda H04R 1/1041
 381/370
 2014/0112519 A1 * 4/2014 Chen H04R 1/1083
 381/379

FOREIGN PATENT DOCUMENTS

EM 008462071-0006 * 3/2021
 TW 217274-0001 * 9/2020
 TW 217275-0001 * 9/2020

* cited by examiner

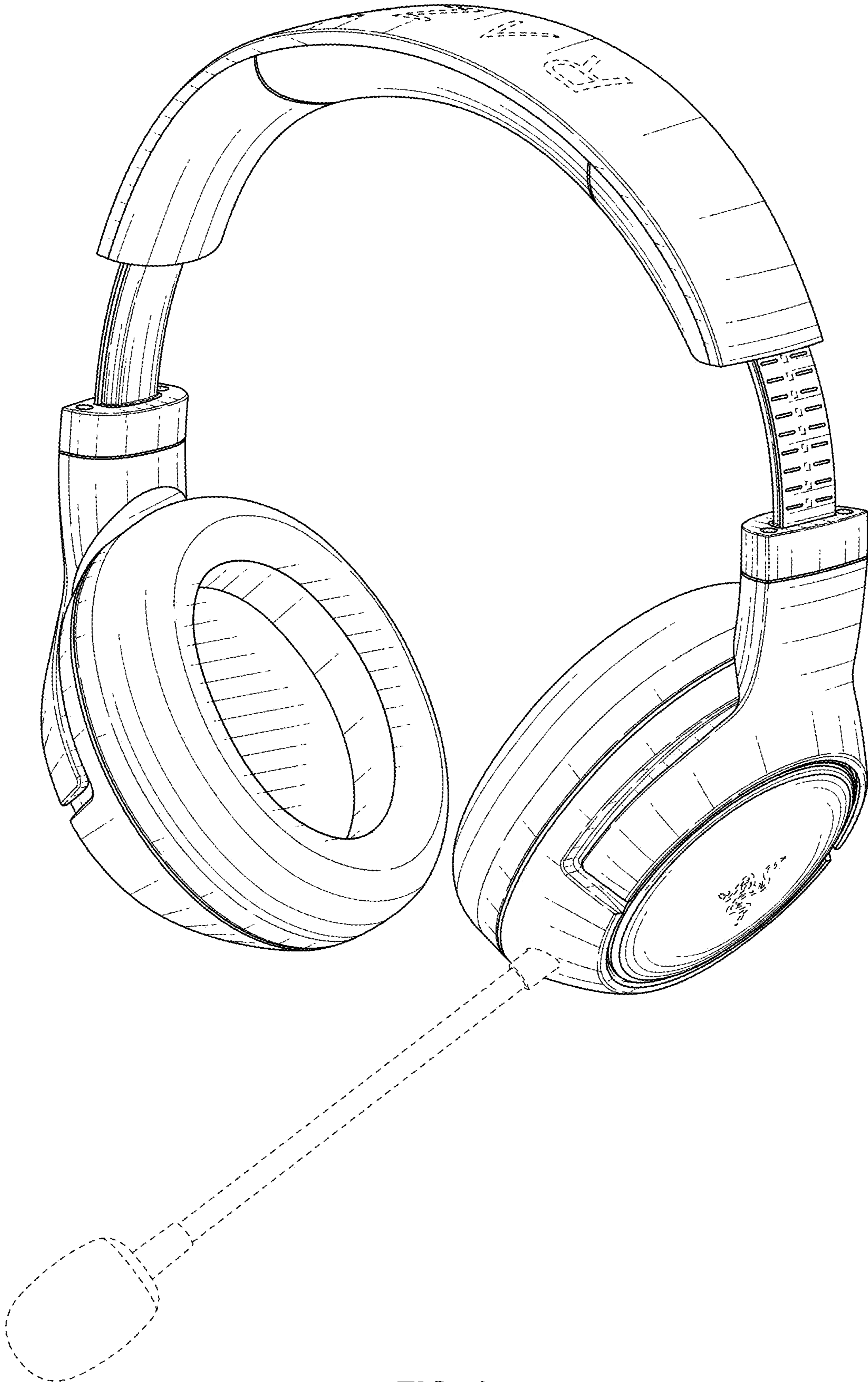


FIG. 1

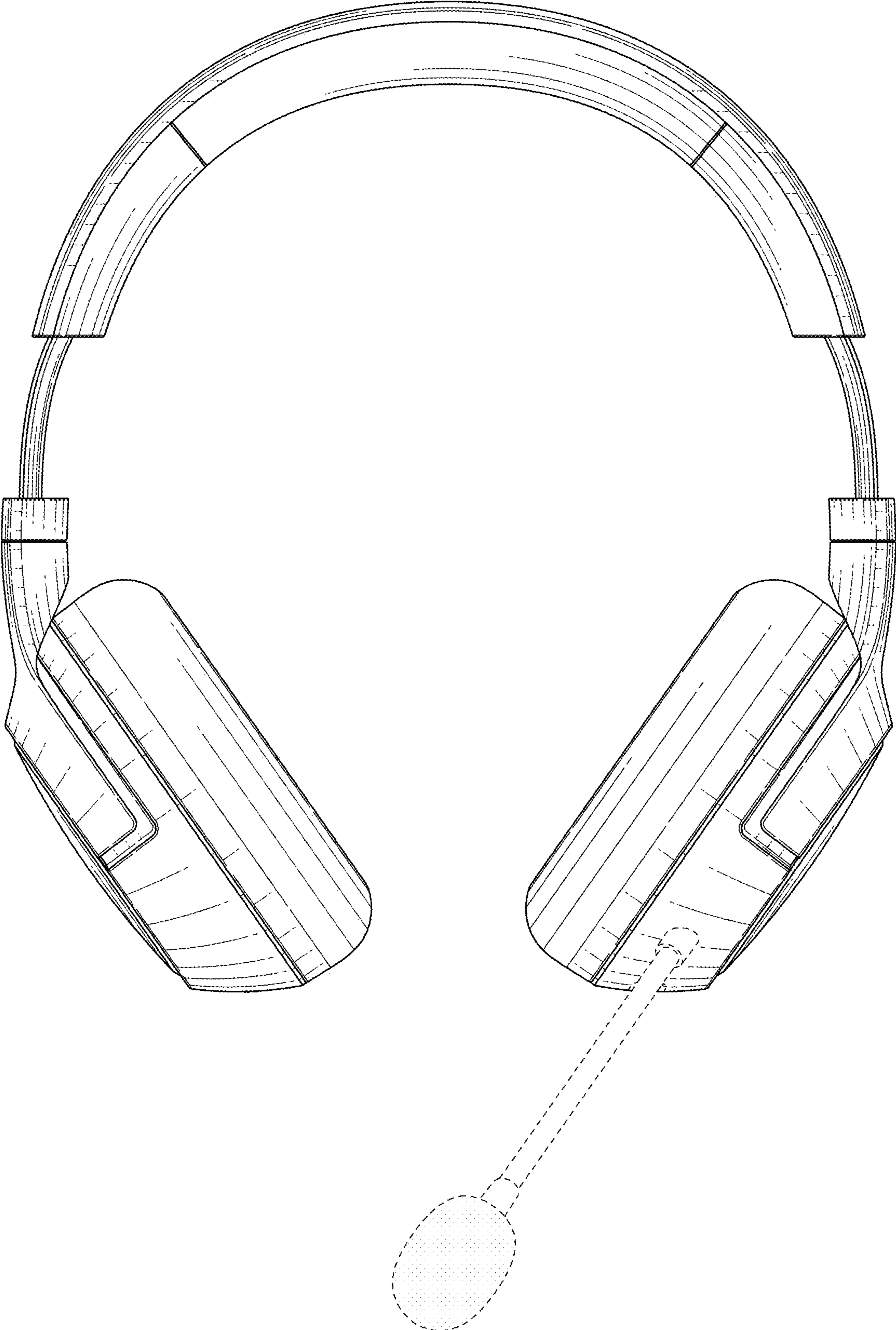


FIG. 2

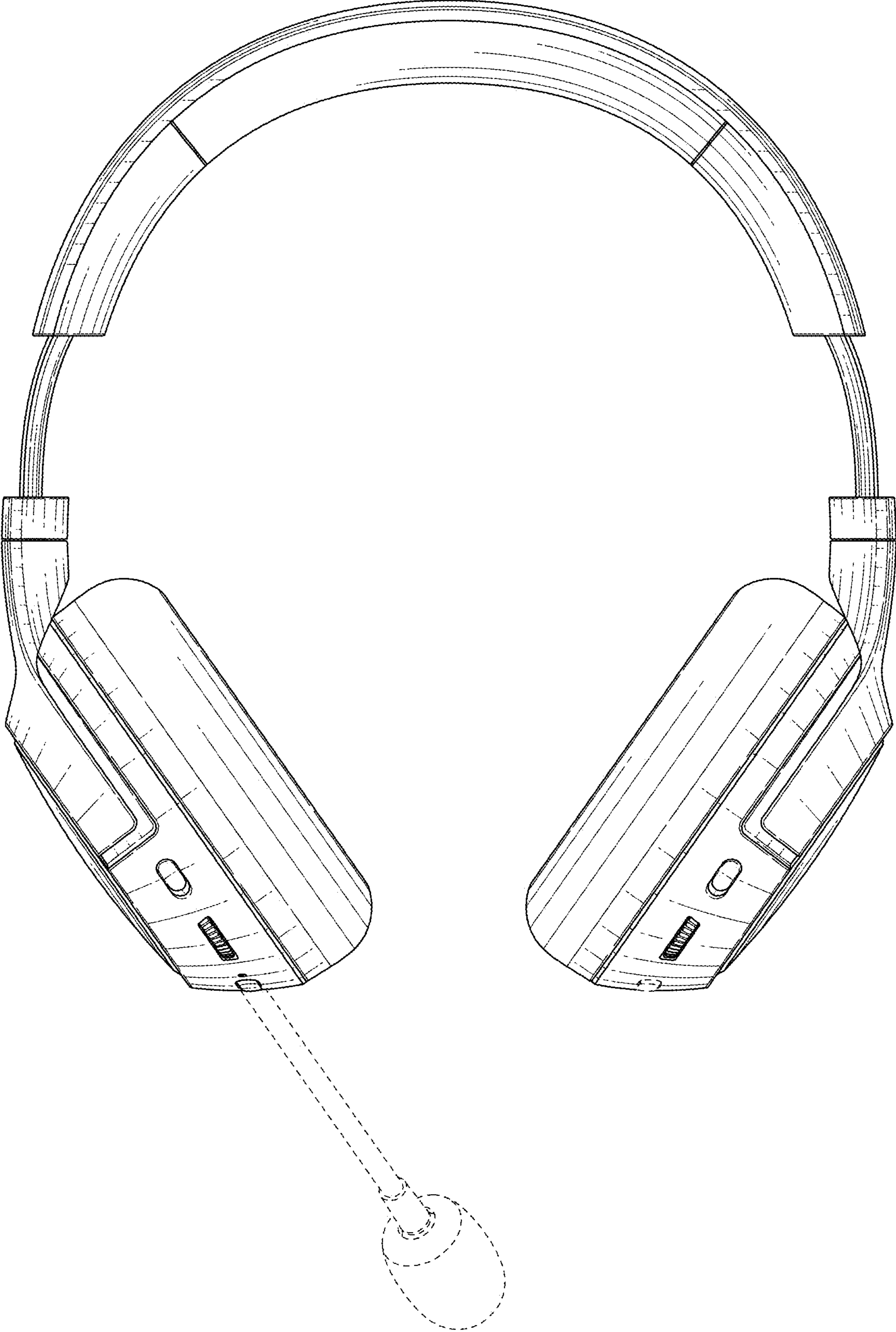


FIG. 3

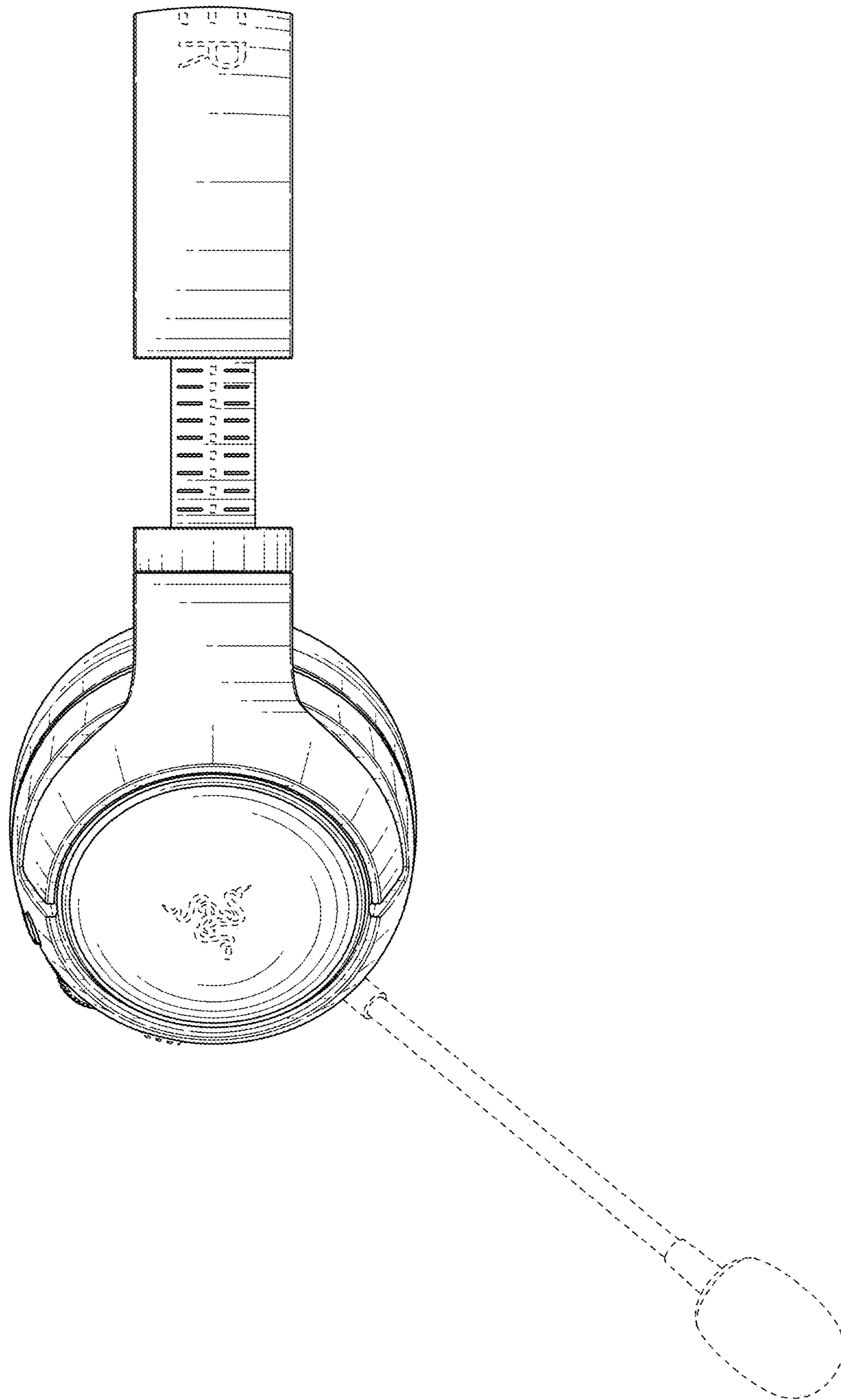


FIG. 4

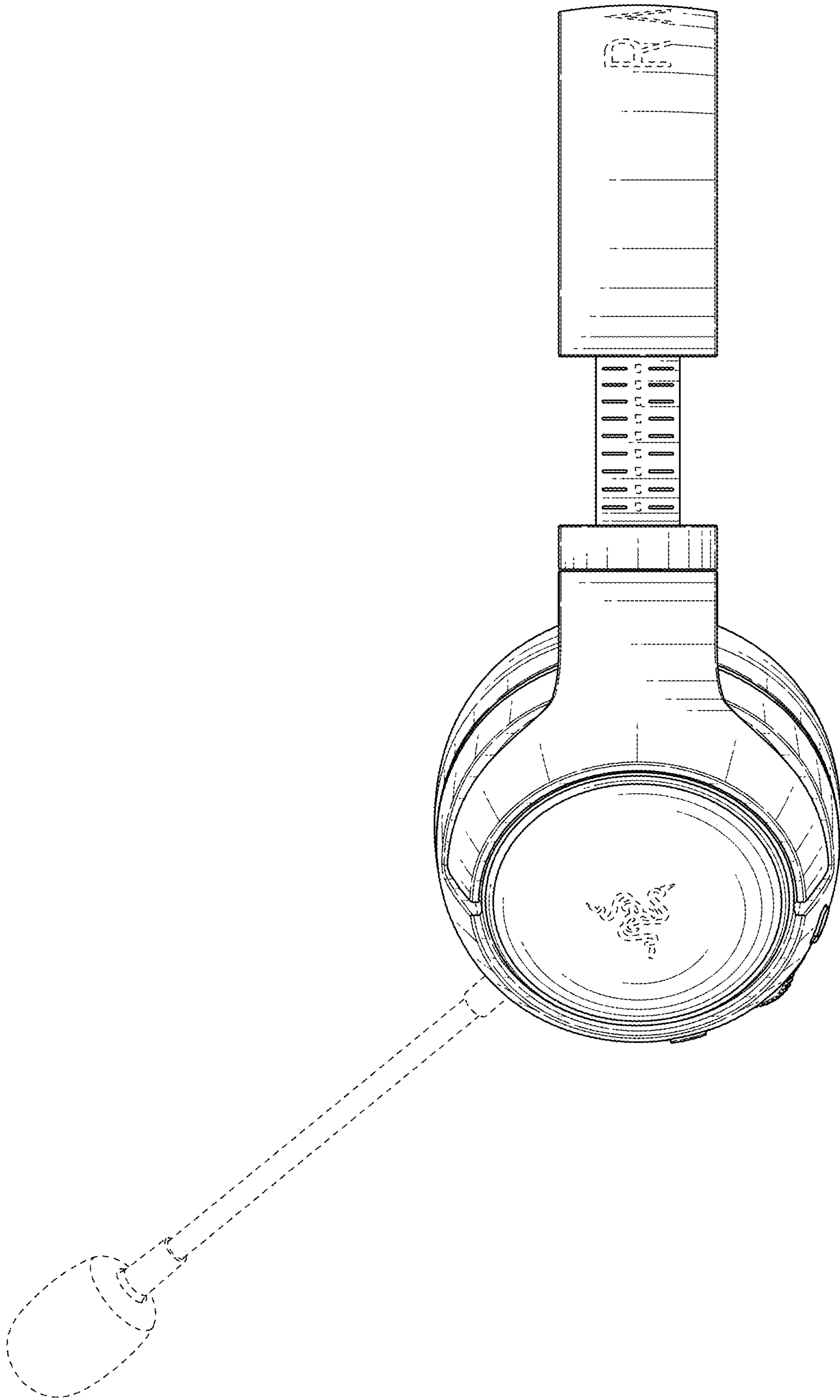


FIG. 5

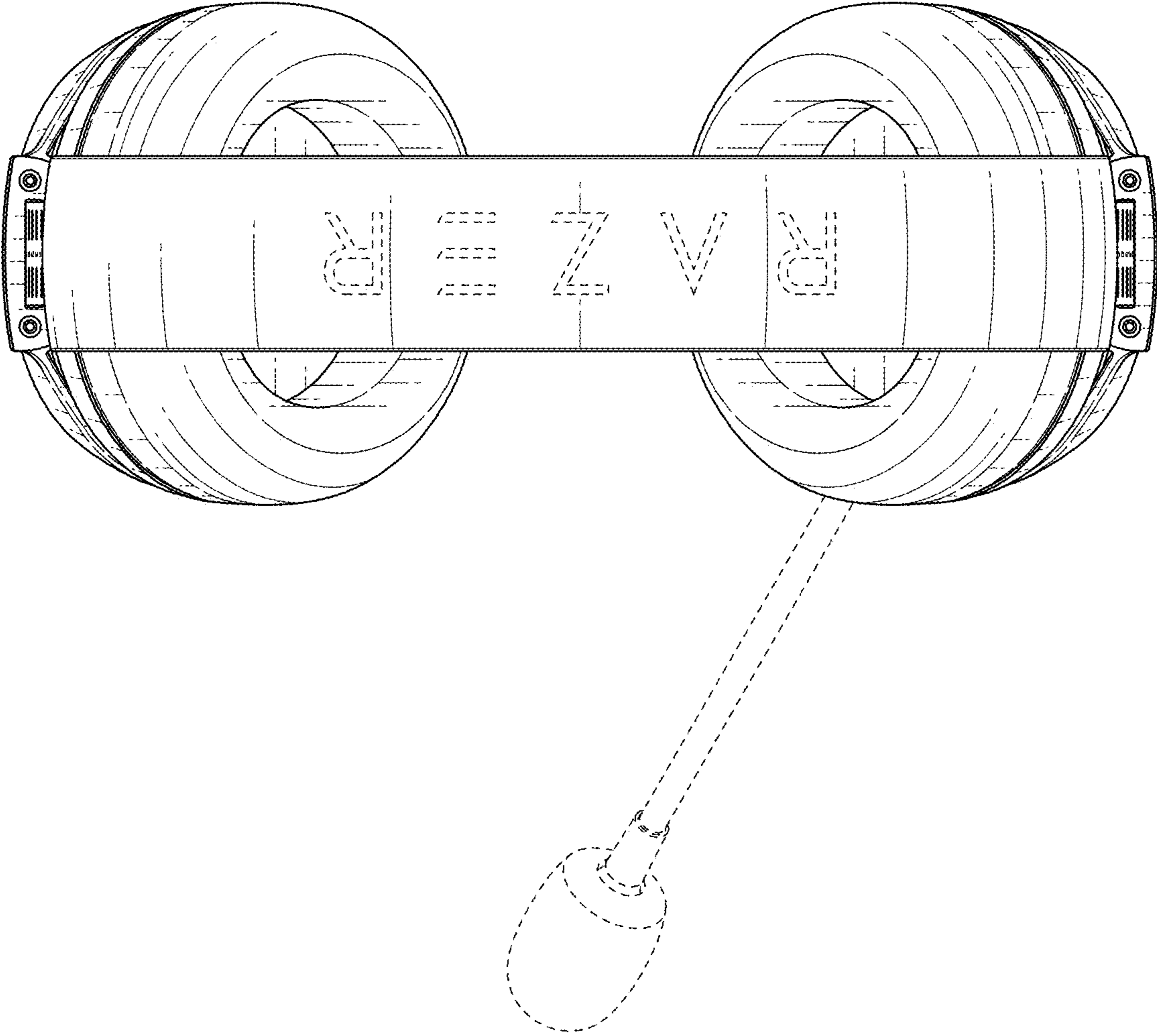


FIG. 6

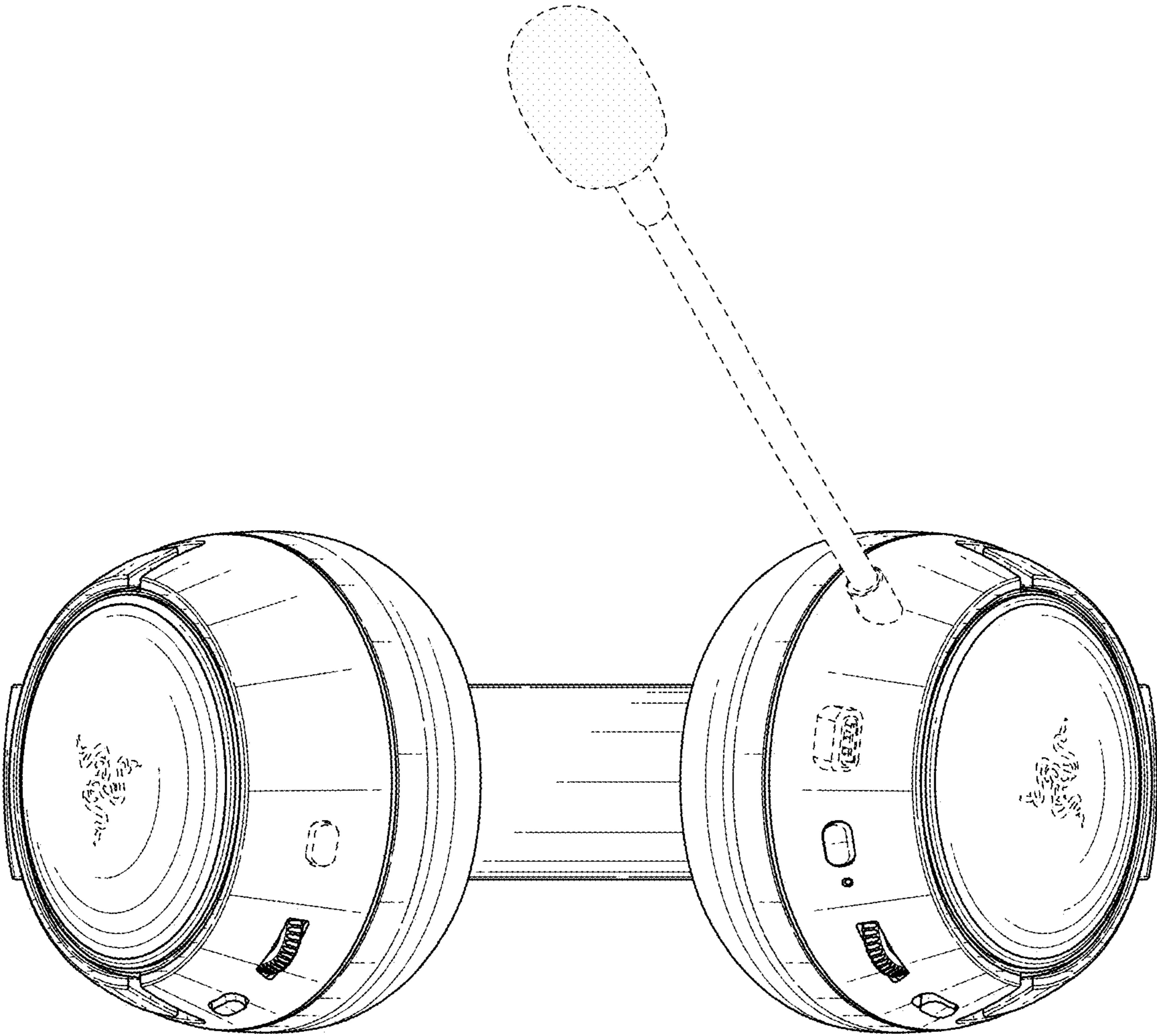


FIG. 7

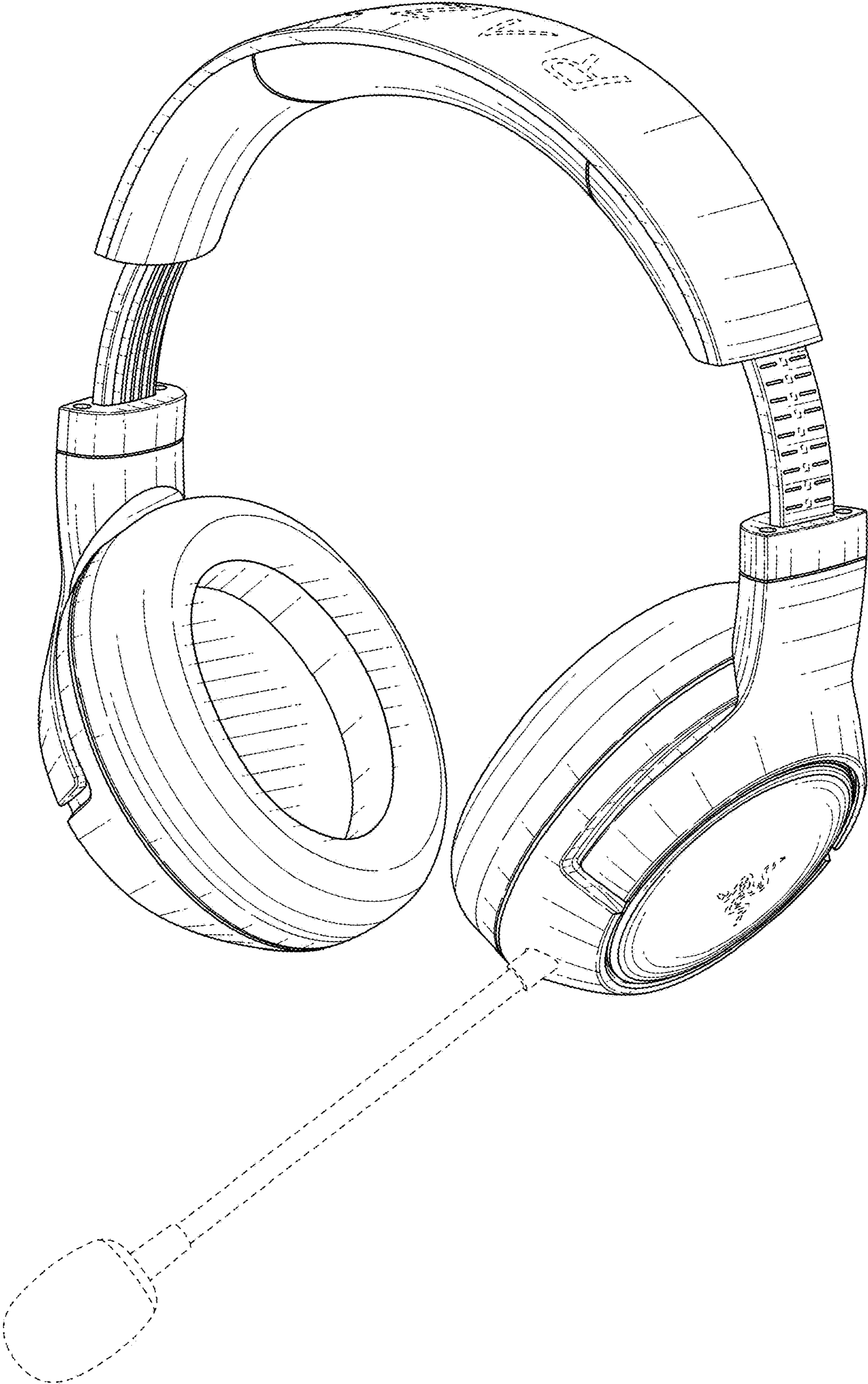


FIG. 8

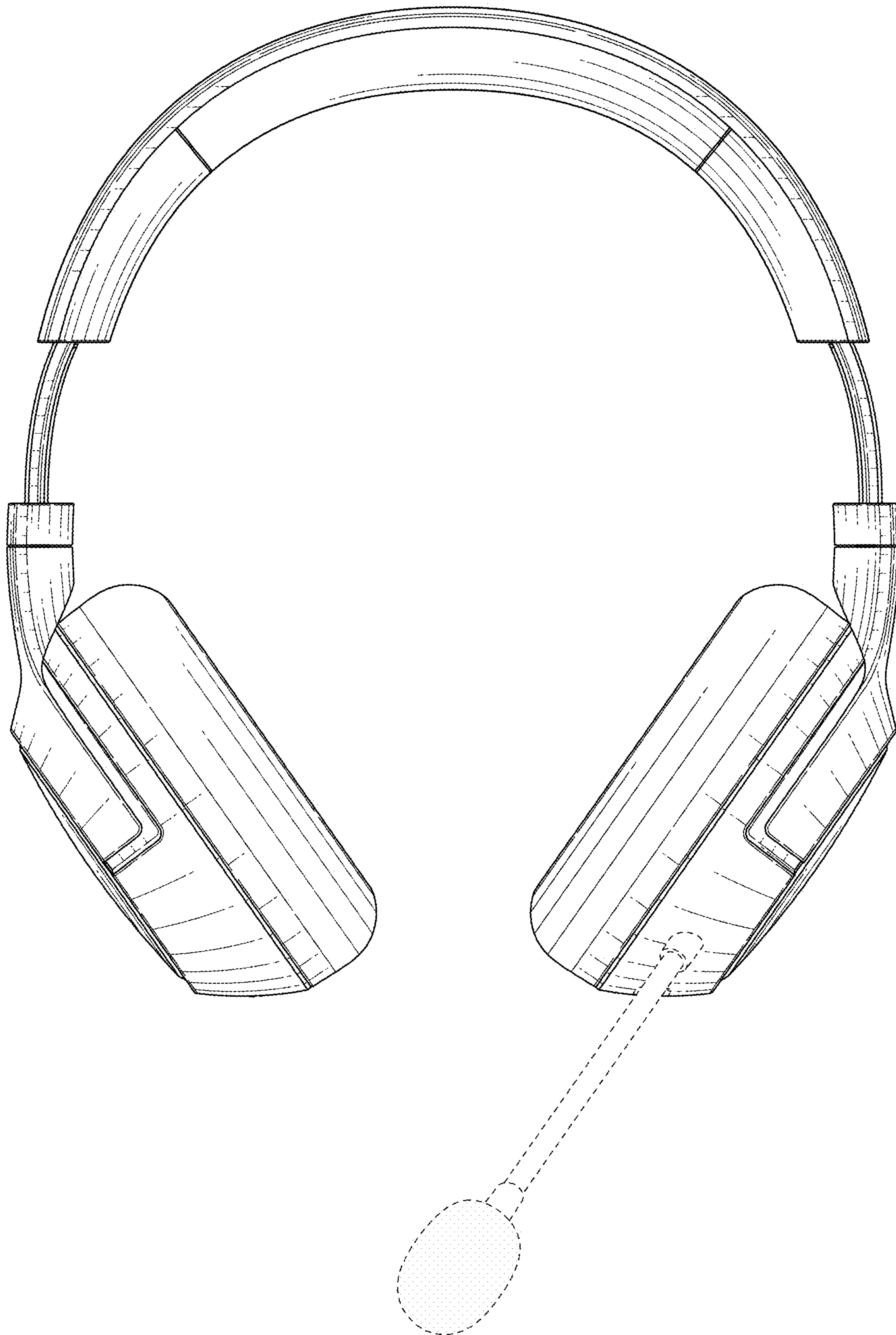


FIG. 9



FIG. 10

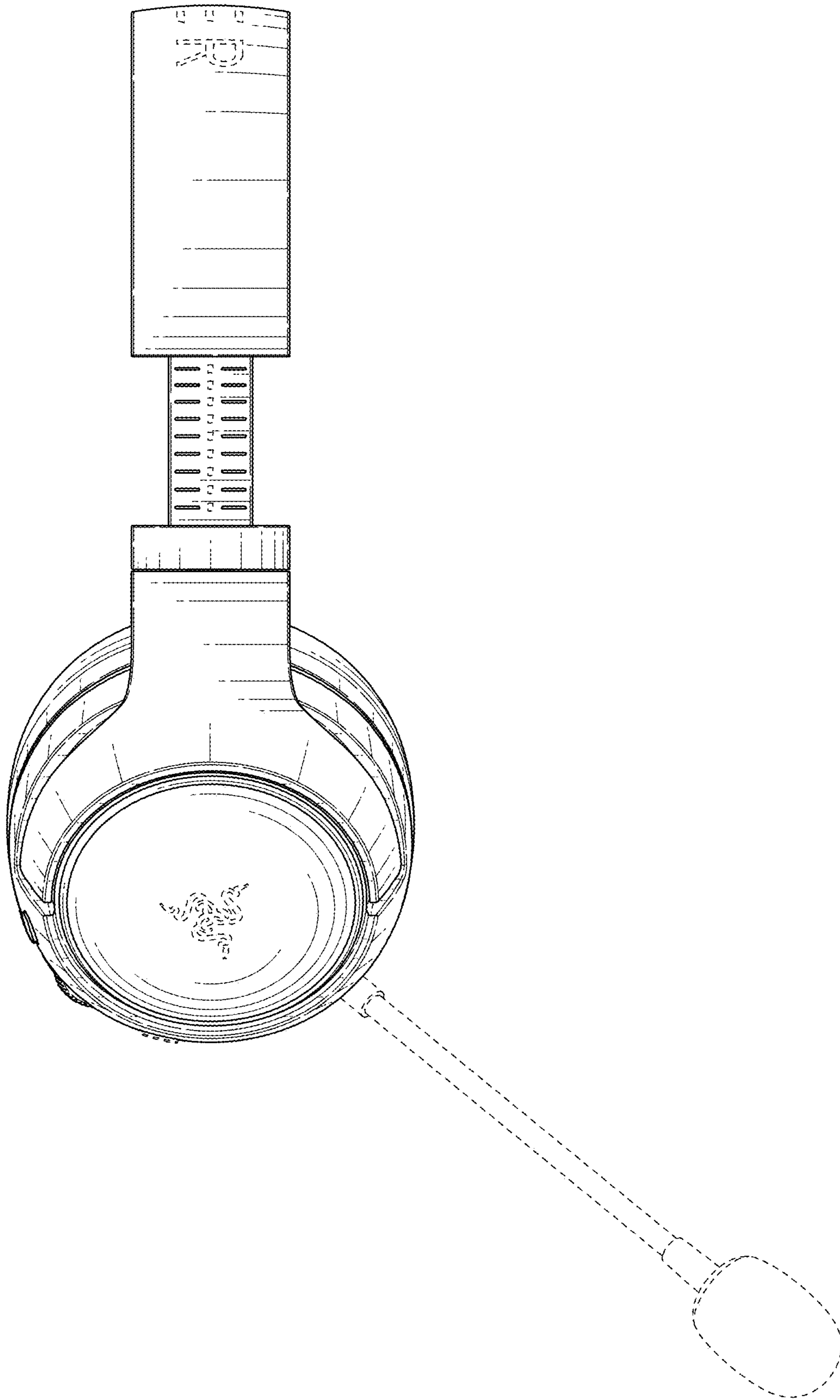


FIG. 11

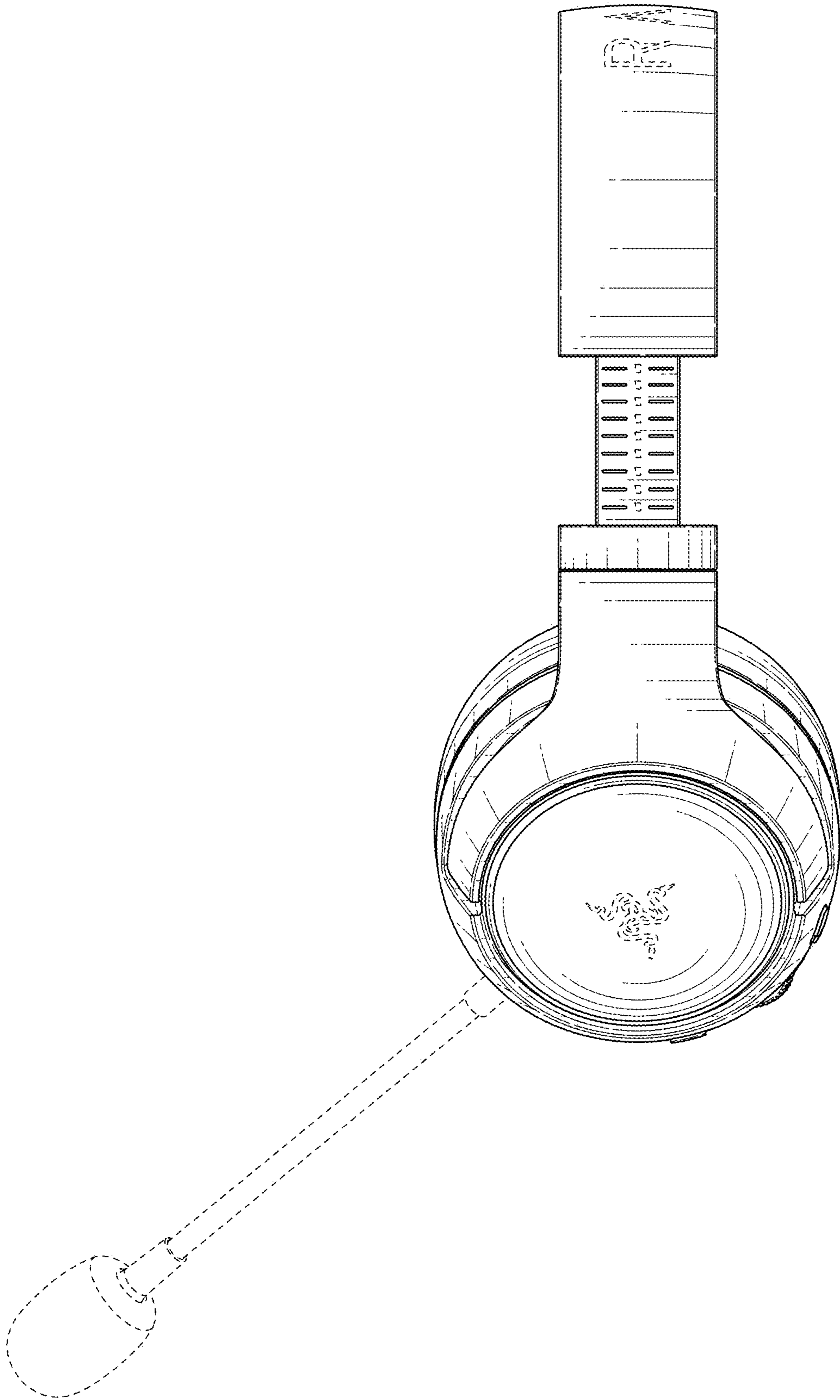


FIG. 12

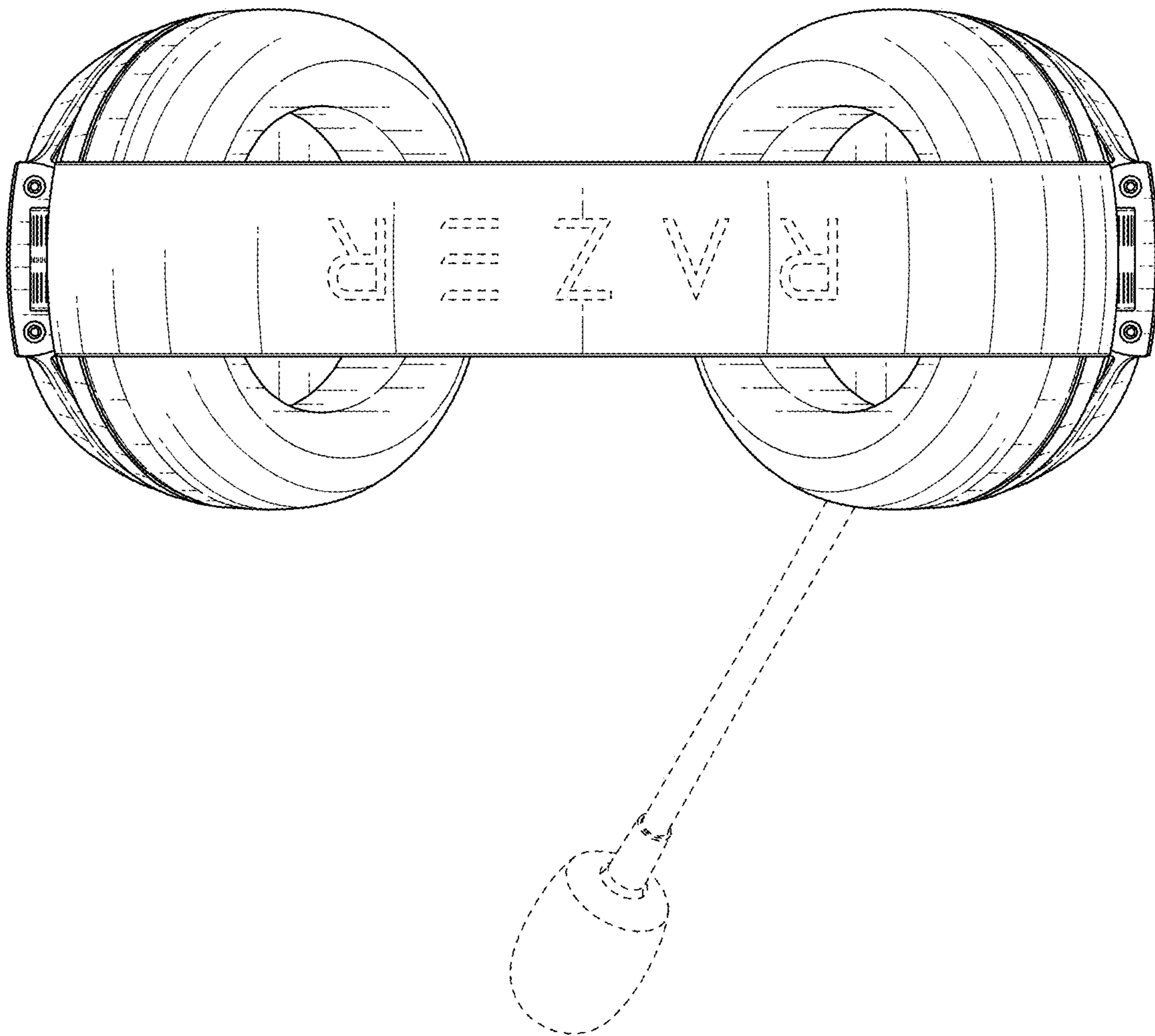


FIG. 13

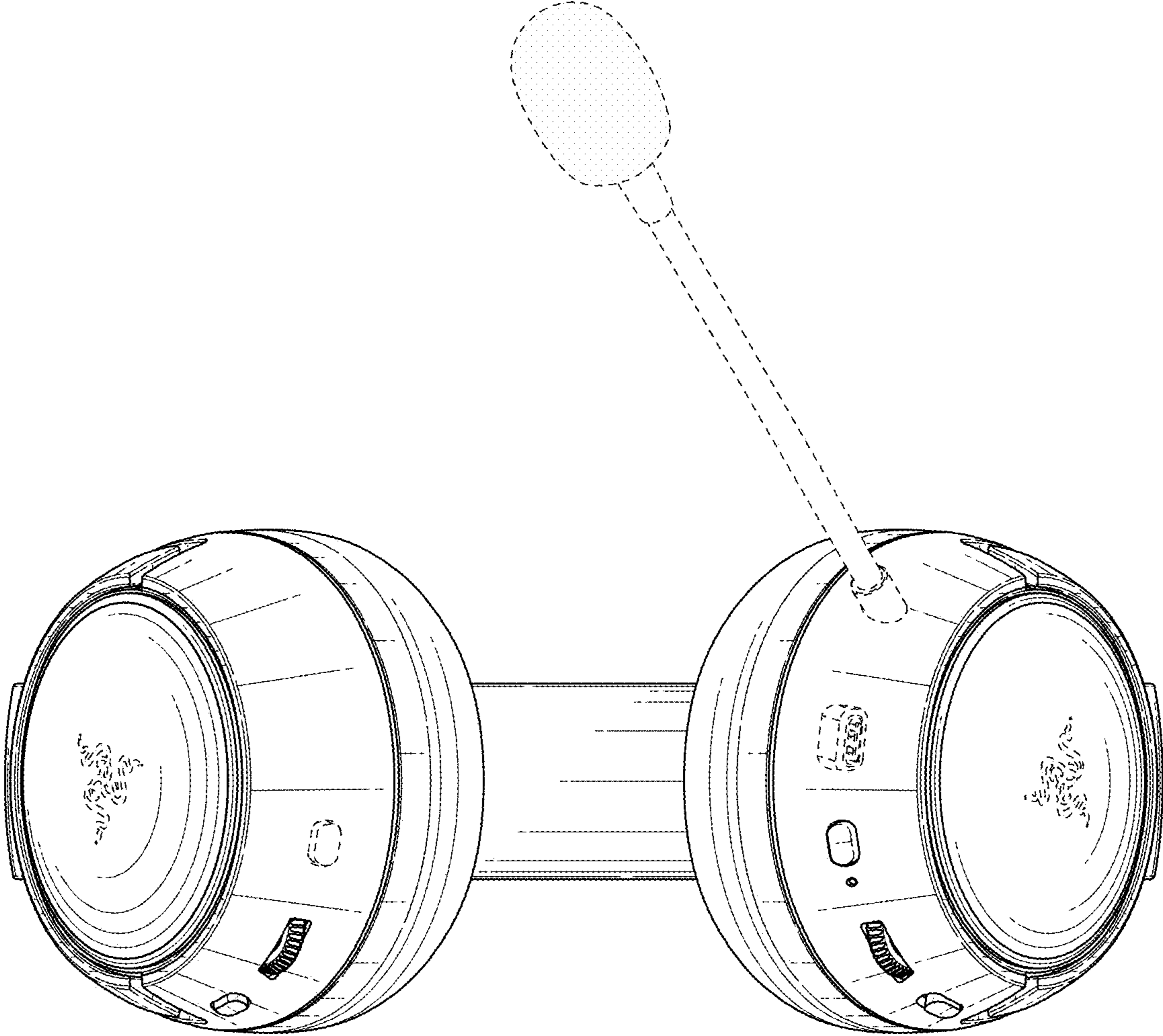


FIG. 14

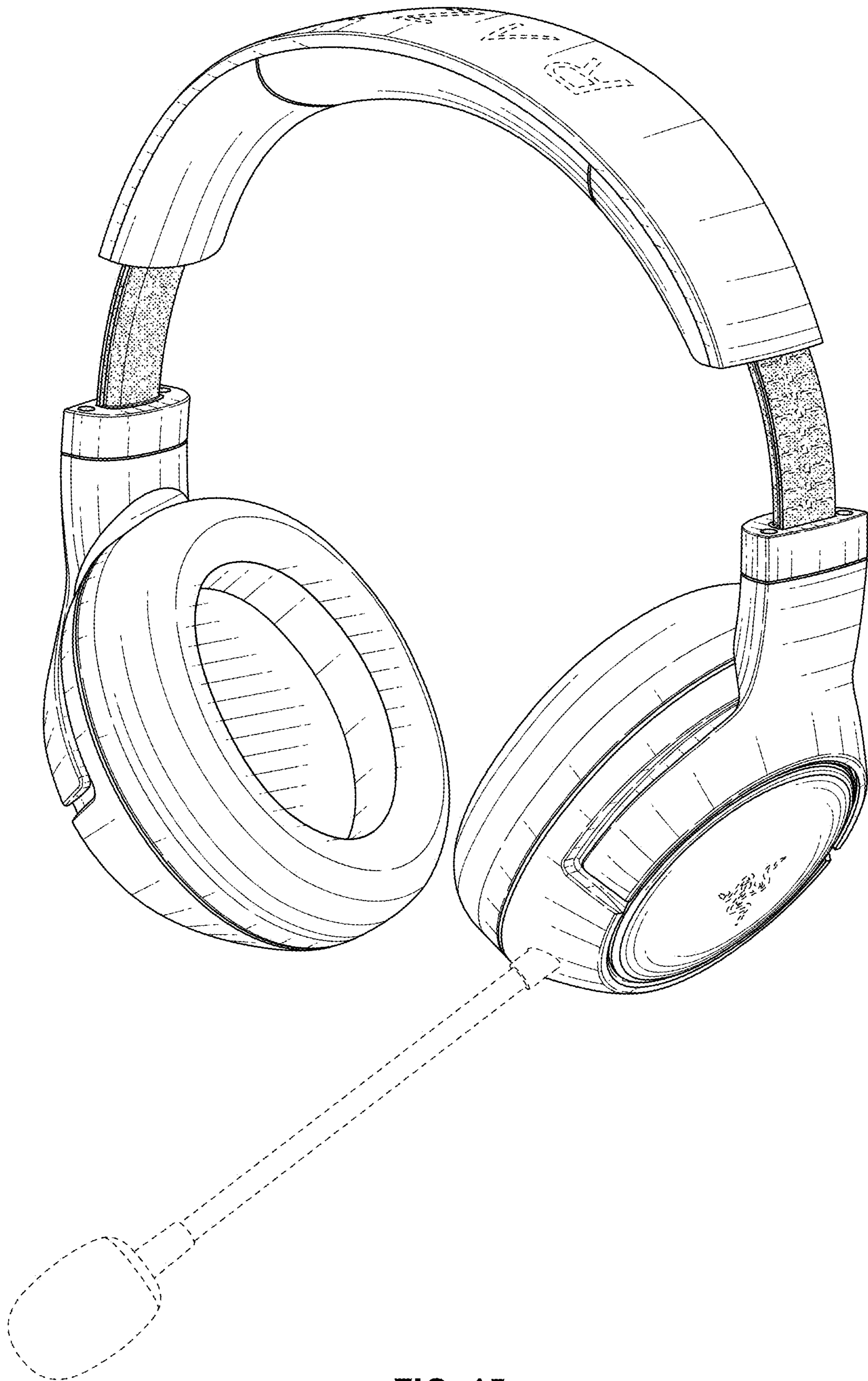


FIG. 15

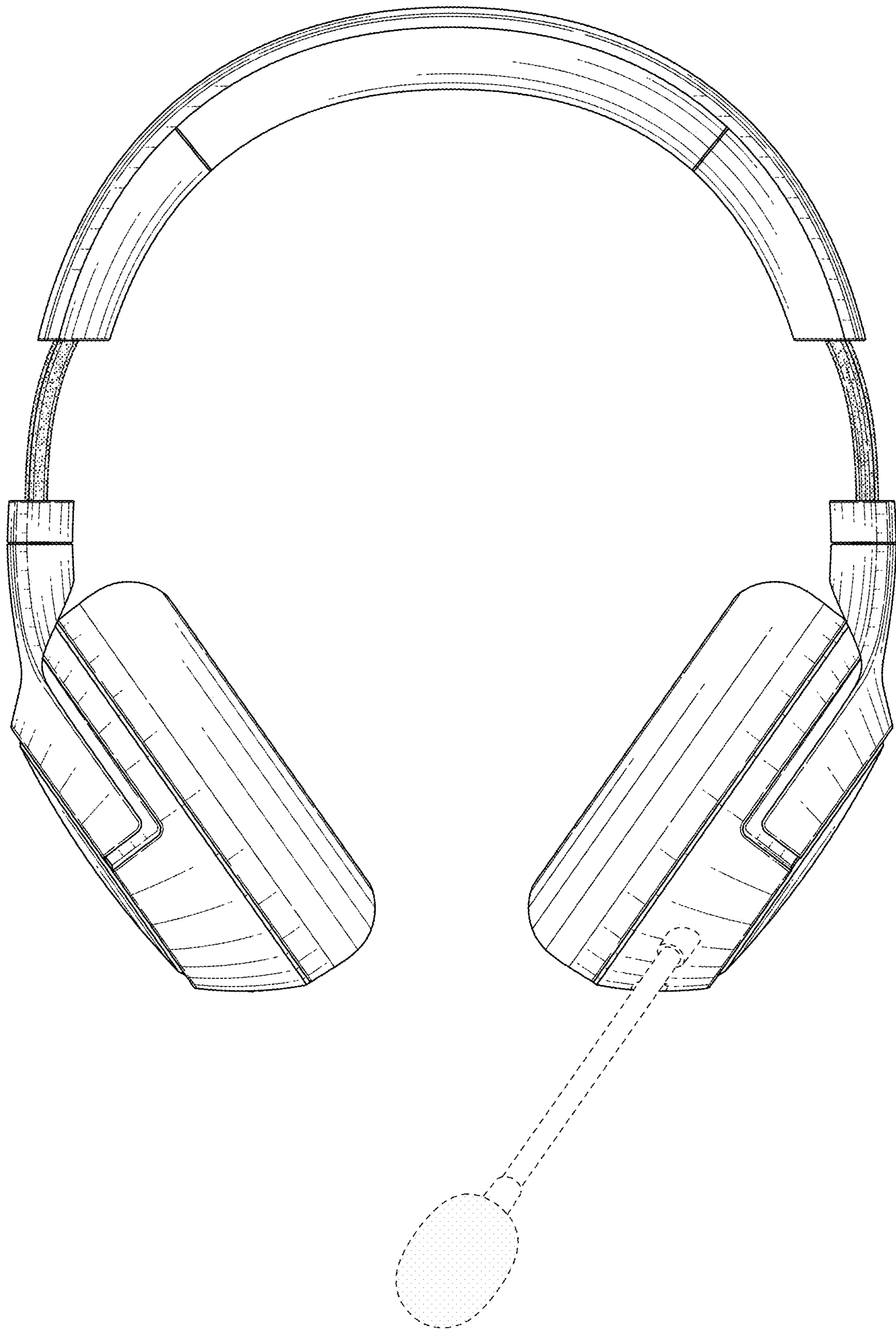


FIG. 16

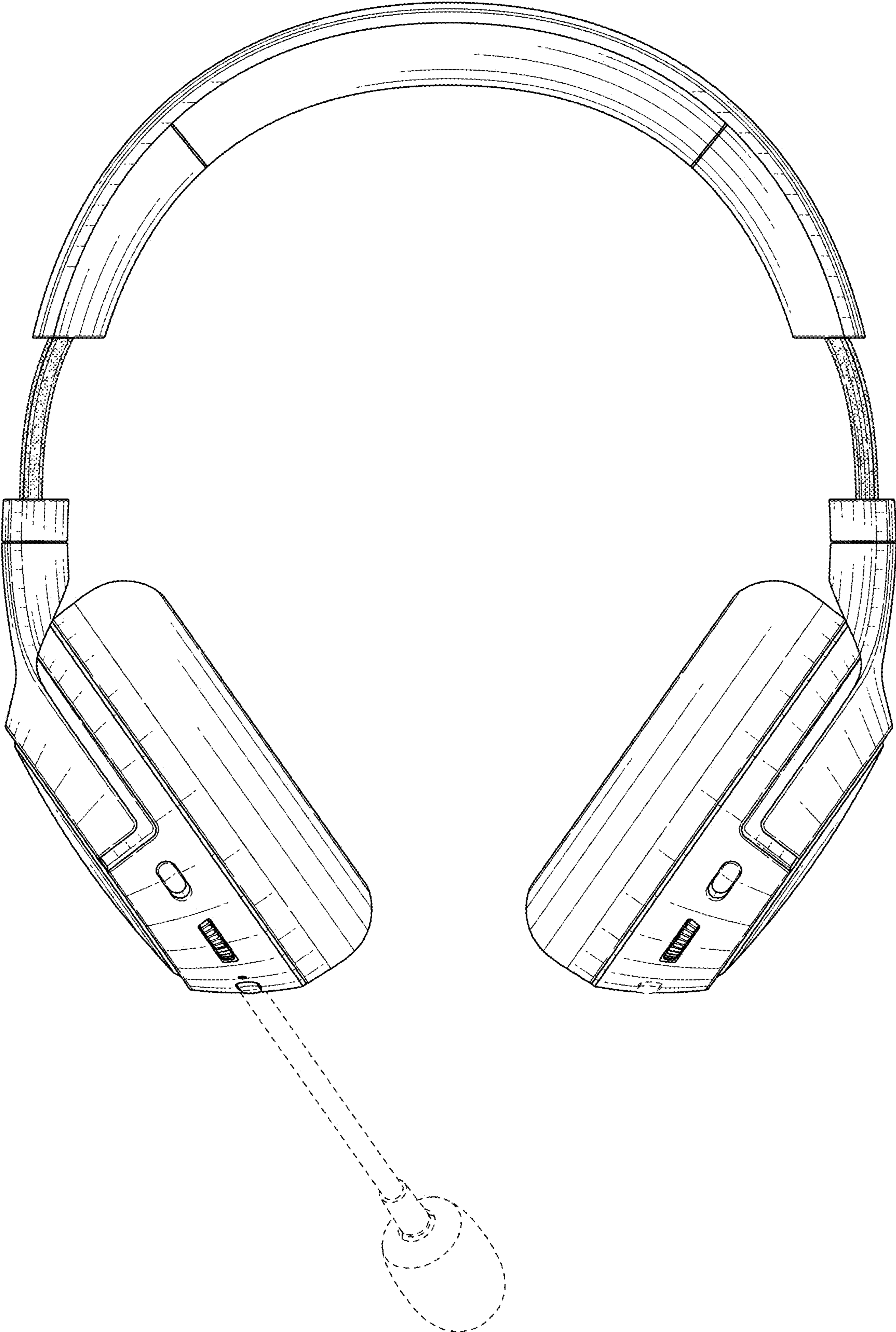


FIG. 17

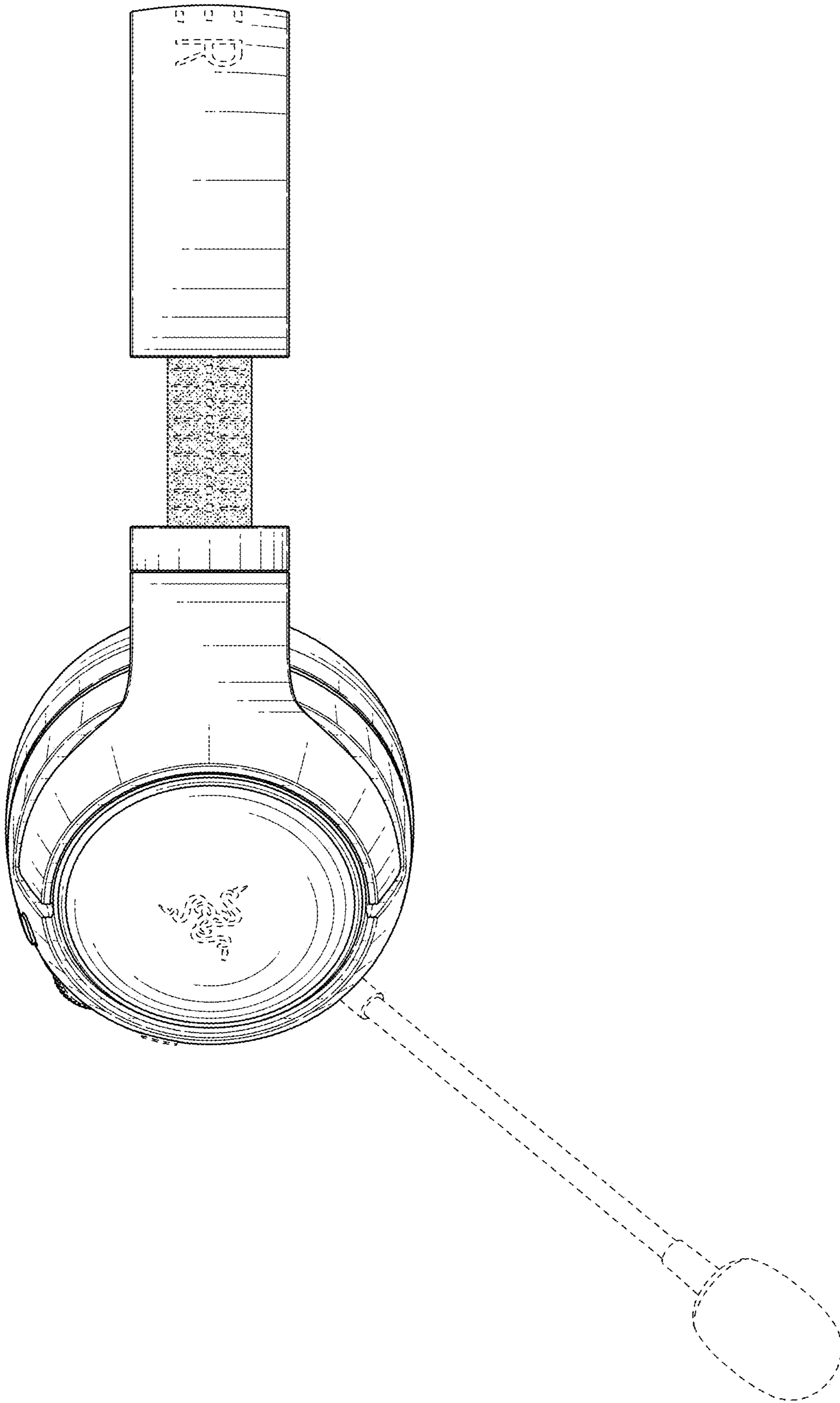


FIG. 18

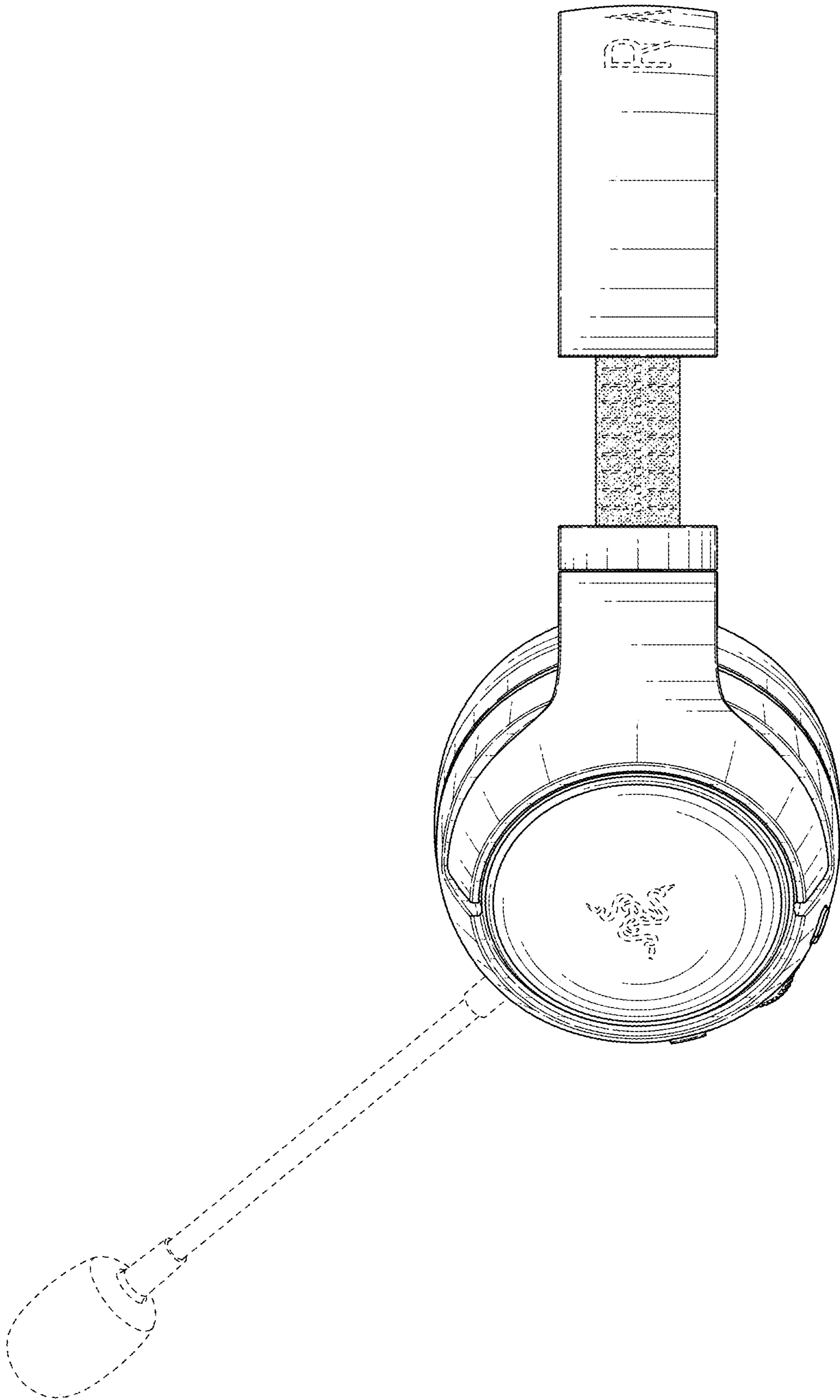


FIG. 19

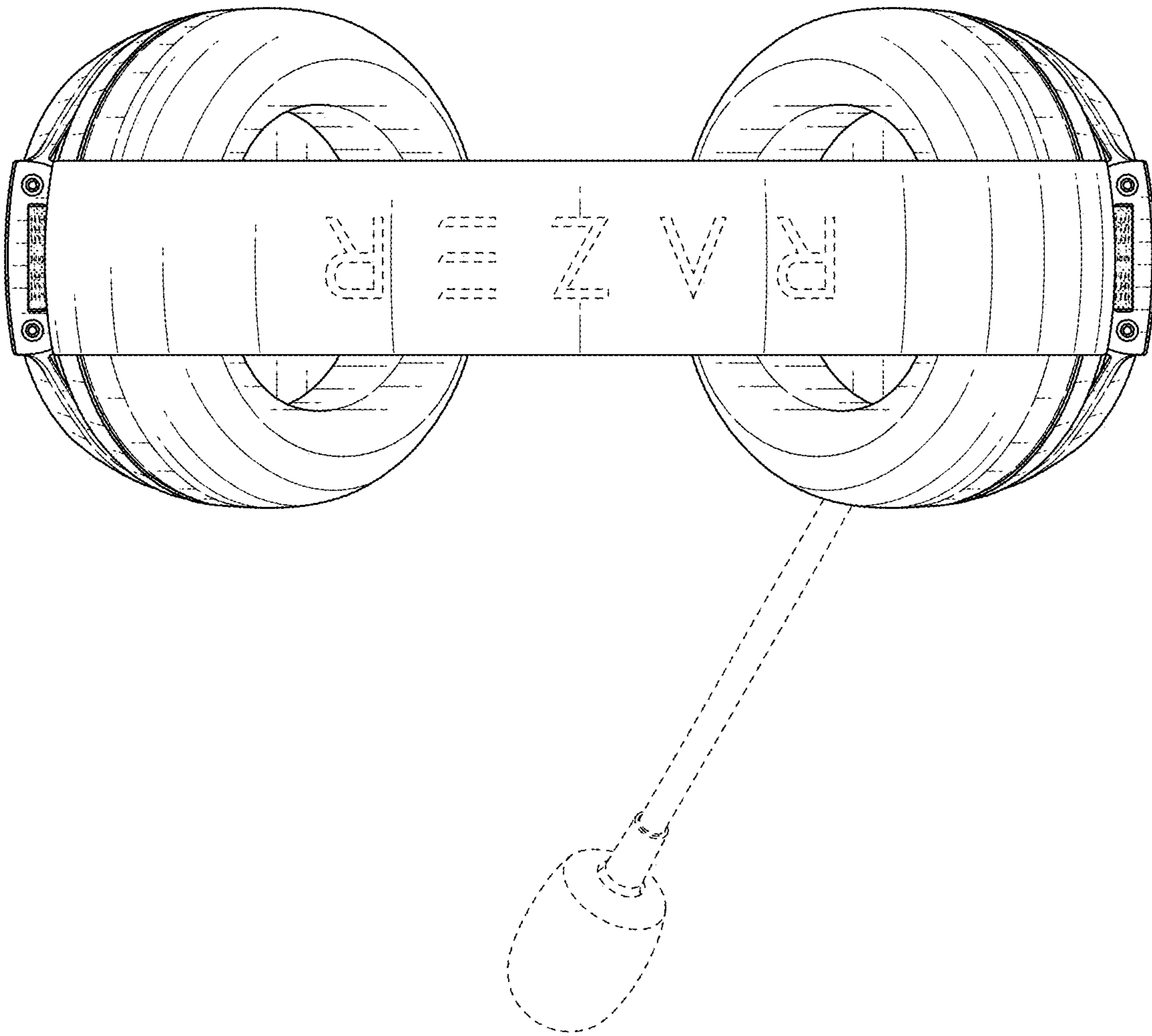


FIG. 20

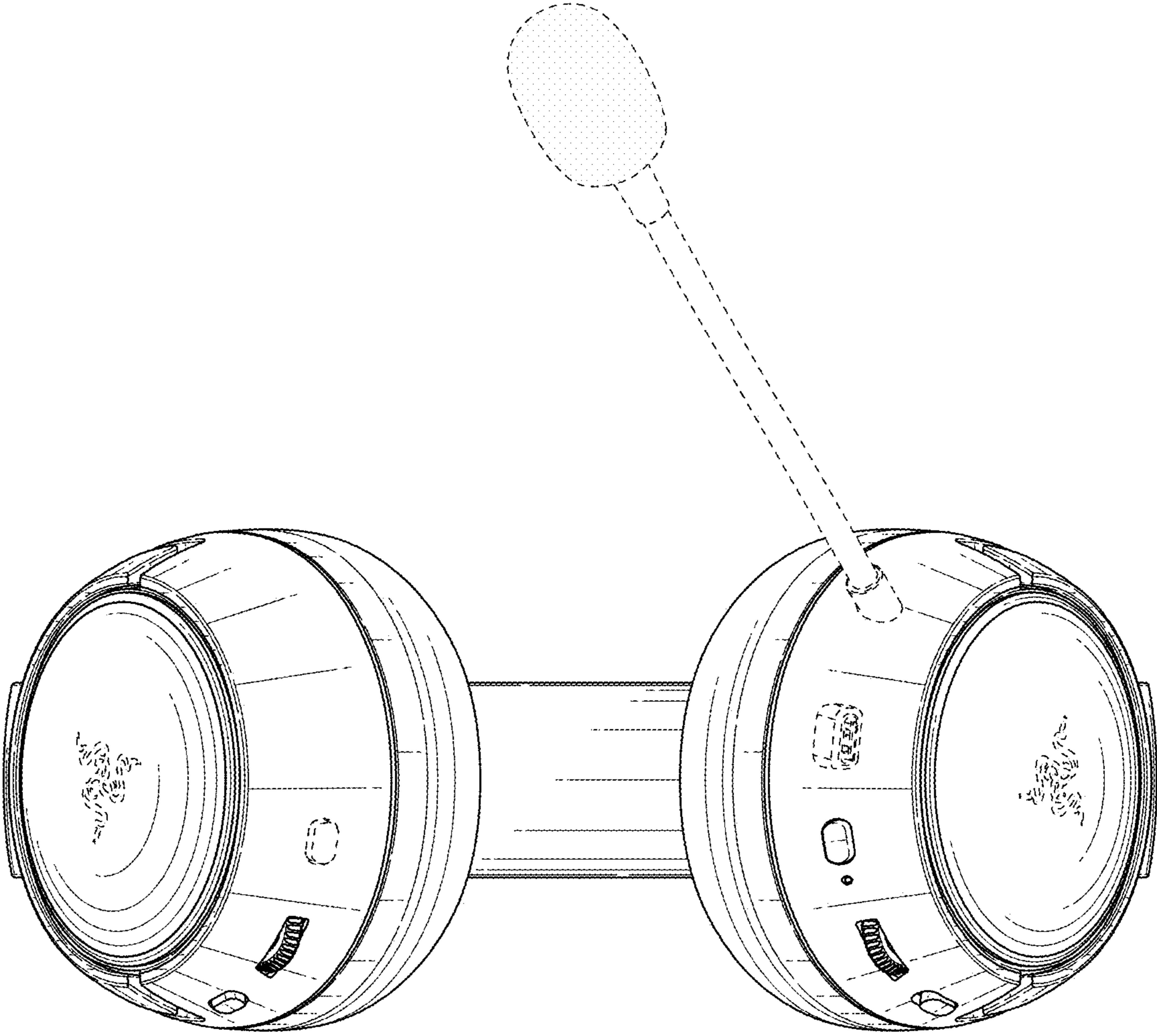


FIG. 21