



US00D970468S

(12) **United States Design Patent**
Williamson

(10) **Patent No.:** **US D970,468 S**
(45) **Date of Patent:** **** Nov. 22, 2022**

- (54) **SET OF HEADPHONES**
- (71) Applicant: **Bose Corporation**, Framingham, MA (US)
- (72) Inventor: **Paul C. Williamson**, Worcester, MA (US)
- (73) Assignee: **Bose Corporation**, Framingham, MA (US)
- (**) Term: **15 Years**
- (21) Appl. No.: **29/770,111**
- (22) Filed: **Feb. 9, 2021**
- (51) **LOC (13) Cl.** **14-01**
- (52) **U.S. Cl.**
USPC **D14/205; D14/206**
- (58) **Field of Classification Search**
USPC D14/205, 206; D29/112; 2/209;
381/380, 381, 370, 374, 384
CPC H04R 25/00; H04R 25/02; H04R 1/1066;
H04R 1/1016; H04R 5/033; H04R
5/0335; H04R 1/1008; H04R 5/04; H04R
1/1041; H04R 1/1091
See application file for complete search history.

- D538,261 S * 3/2007 Taylor D14/205
 - D581,394 S * 11/2008 Lee D14/205
 - D585,871 S * 2/2009 Lee D14/205
 - D589,492 S * 3/2009 Mistry D14/205
 - D604,266 S * 11/2009 Milde D14/205
 - 8,098,872 B2 * 1/2012 Chang H04R 1/1075
381/370
 - D662,080 S * 6/2012 Carr D14/205
 - D662,490 S * 6/2012 McSweyn D14/205
 - D665,775 S * 8/2012 Katsumata D14/205
 - D669,450 S * 10/2012 Katsumata D14/205
 - 8,325,962 B2 * 12/2012 Ishida H04R 5/0335
381/384
 - D673,519 S * 1/2013 Tan D14/205
- (Continued)

FOREIGN PATENT DOCUMENTS

- EM 006753653-0003 * 8/2019
 - EM 008028526-0004 * 7/2020
- (Continued)

Primary Examiner — Paula Allen Greene

(57) **CLAIM**

The ornamental design for set of headphones, substantially as shown and described.

DESCRIPTION

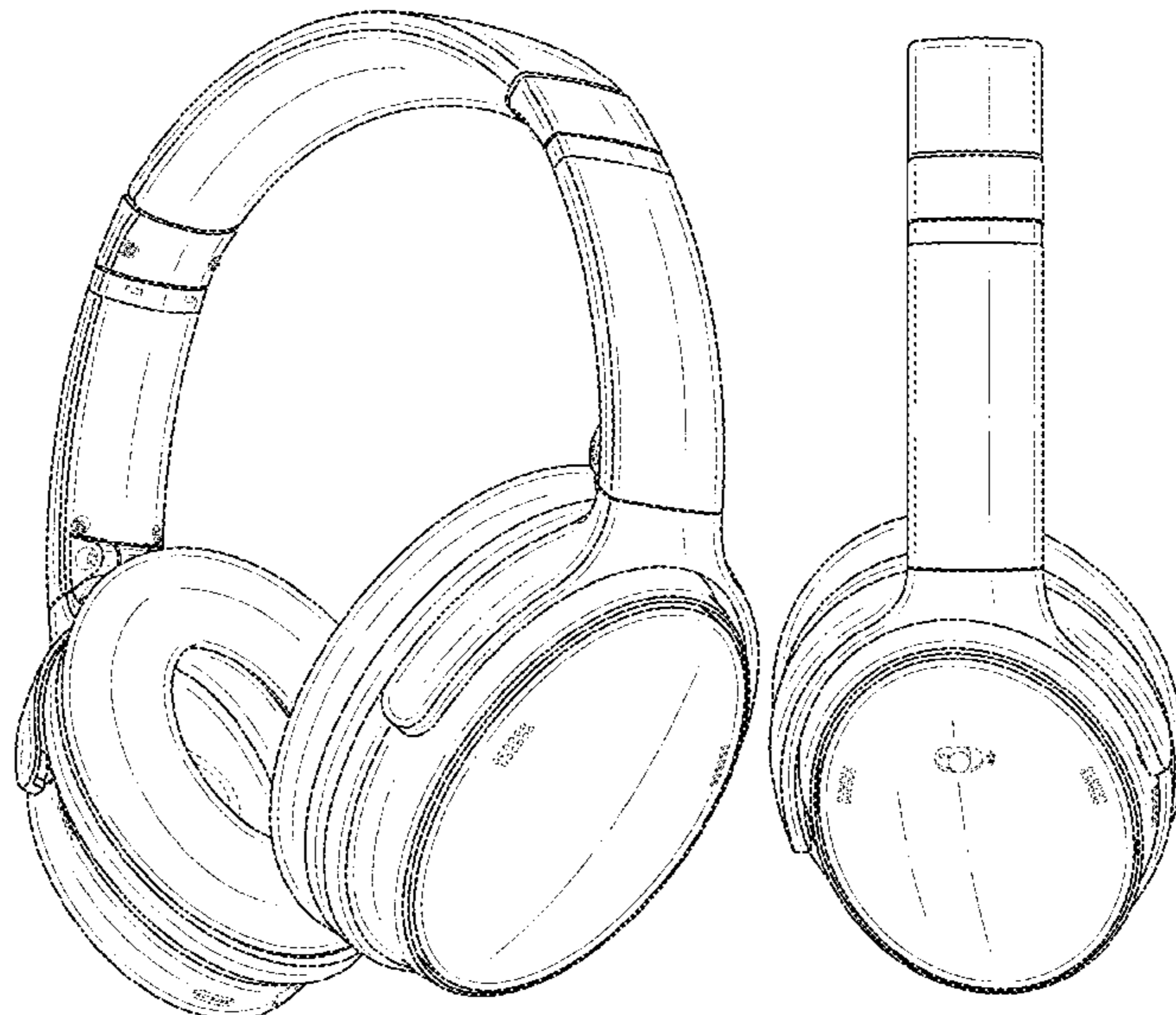
FIG. 1 is a perspective view of a set of headphones as seen from the front, top, and right side;
 FIG. 2 is a front view thereof;
 FIG. 3 is a right side view thereof;
 FIG. 4 is a back view thereof;
 FIG. 5 is a left side view thereof;
 FIG. 6 is a top view thereof; and,
 FIG. 7 is a bottom view thereof.
 The dotted line portions of the drawings represent environmental structure only and do not form part of the claimed design.

1 Claim, 6 Drawing Sheets

(56) **References Cited**

U.S. PATENT DOCUMENTS

- D235,210 S * 5/1975 Hill D14/205
- 3,891,810 A * 6/1975 Hayashi H04R 1/1008
381/373
- D347,434 S * 5/1994 Yamatogi D14/205
- D409,197 S * 5/1999 Nakamura D14/205
- 6,006,115 A * 12/1999 Wingate H04M 1/6033
379/430
- D431,550 S * 10/2000 Yoneda D14/205
- D510,335 S * 10/2005 Suzuki D14/205
- D512,708 S * 12/2005 Harris, Jr. D14/205
- 6,993,143 B2 * 1/2006 Harris H04R 1/1066
381/374



(56)

References Cited

U.S. PATENT DOCUMENTS

D708,163 S * 7/2014 Ishikura D14/205
 8,774,420 B2 * 7/2014 Belafonte H04R 1/2811
 381/74
 D721,052 S 1/2015 Carr et al.
 D722,998 S * 2/2015 Sancho D14/205
 9,002,026 B2 * 4/2015 Lin H04R 1/1008
 381/74
 D737,799 S * 9/2015 Carr D14/205
 D738,850 S * 9/2015 Chung D14/205
 D741,290 S * 10/2015 Schaal D14/205
 D783,572 S * 4/2017 Matthews D14/205
 D787,470 S * 5/2017 Kelly D14/205
 D817,303 S * 5/2018 Tragatschnig D14/205
 D840,370 S * 2/2019 Kelly D14/205
 D852,775 S * 7/2019 Ando D14/205
 D859,354 S * 9/2019 Xia D14/205
 D864,900 S * 10/2019 Miller D14/205
 D868,731 S * 12/2019 Jung D14/205
 D869,437 S * 12/2019 Hu D14/205
 D871,367 S * 12/2019 Zhijun D14/205
 D897,309 S * 9/2020 Cho D14/205
 D900,057 S * 10/2020 Shan D14/205
 D901,436 S * 11/2020 Peng D14/205
 D905,004 S * 12/2020 Nakayama D14/205
 D907,003 S * 1/2021 Liu D14/205
 D908,663 S * 1/2021 Tamamura D14/205

D923,600 S * 6/2021 Shibukawa D14/205
 D937,804 S * 12/2021 Deng D14/205
 D938,934 S * 12/2021 Tsubone D14/205
 D944,759 S * 3/2022 Vaclavik D14/205
 D944,761 S * 3/2022 Lee D14/205
 D947,813 S * 4/2022 He D14/206
 D952,599 S * 5/2022 Bellham D14/206
 2005/0238189 A1 * 10/2005 Tsai H04R 1/1075
 381/370
 2008/0069391 A1 * 3/2008 Steyn H04R 1/1091
 381/371
 2014/0363016 A1 * 12/2014 Blonder H03F 3/181
 381/74
 2019/0110122 A1 * 4/2019 Zelnick H04R 1/1066
 2020/0389719 A1 * 12/2020 Morris H04R 5/0335

FOREIGN PATENT DOCUMENTS

EM 008151245-0001 * 8/2020
 EM 008408066-0001 * 1/2021
 EM 008482871-0001 * 3/2021
 EM 008632020-0001 * 7/2021
 EM 008634927-0001 * 7/2021
 EM 008731046-0001 * 10/2021
 EM 008749808-0001 * 11/2021
 EM 008761589-0001 * 11/2021
 GB 9004112043-0001 * 7/2017
 GB 6211054 * 5/2022

* cited by examiner



FIG. 1



FIG. 2

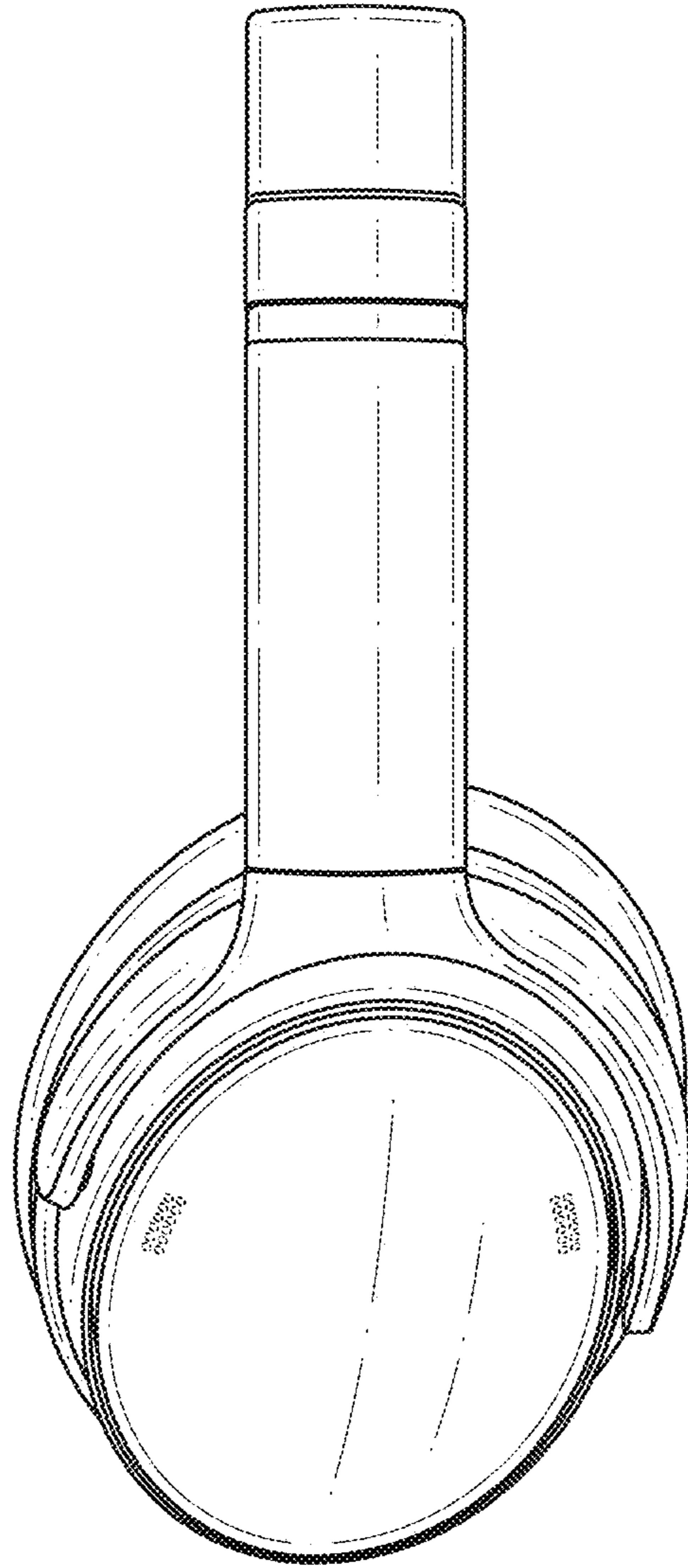


FIG. 3



FIG. 4

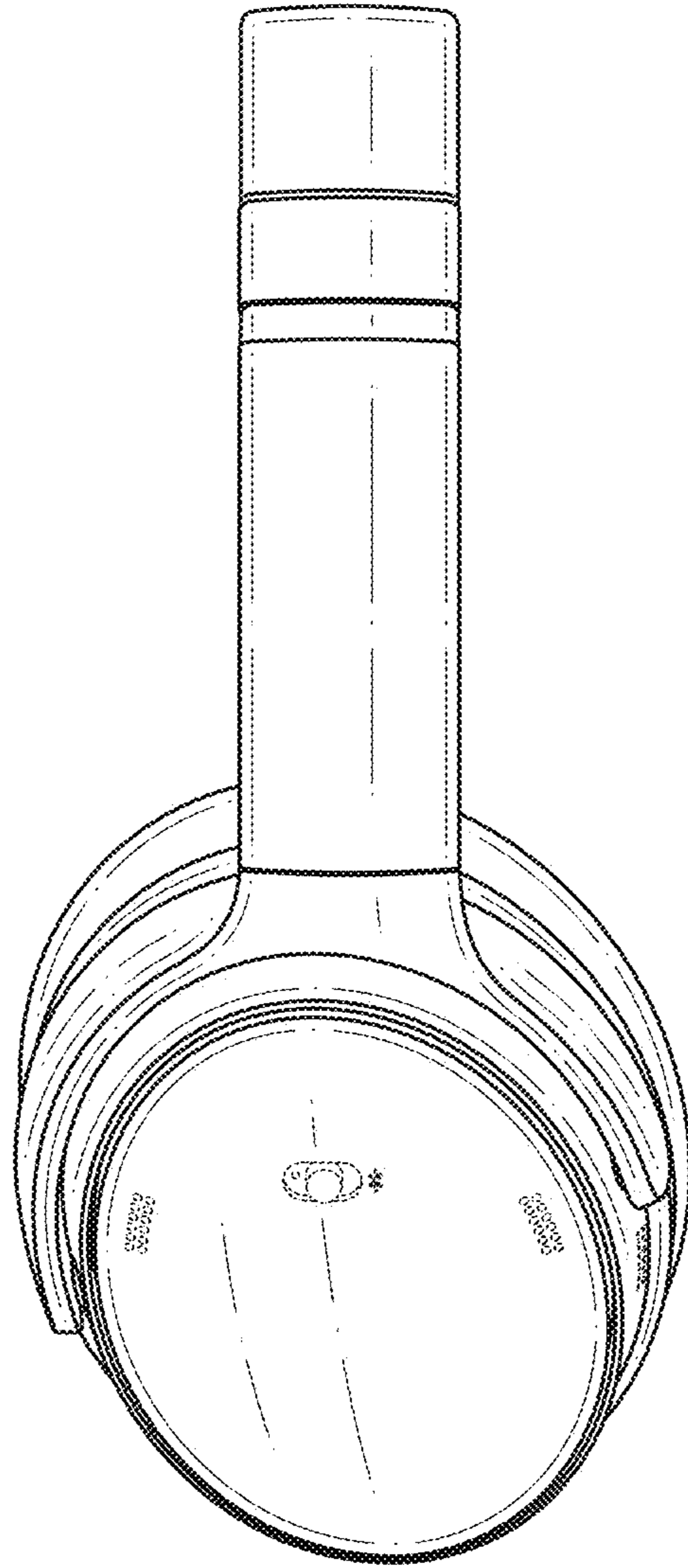


FIG. 5

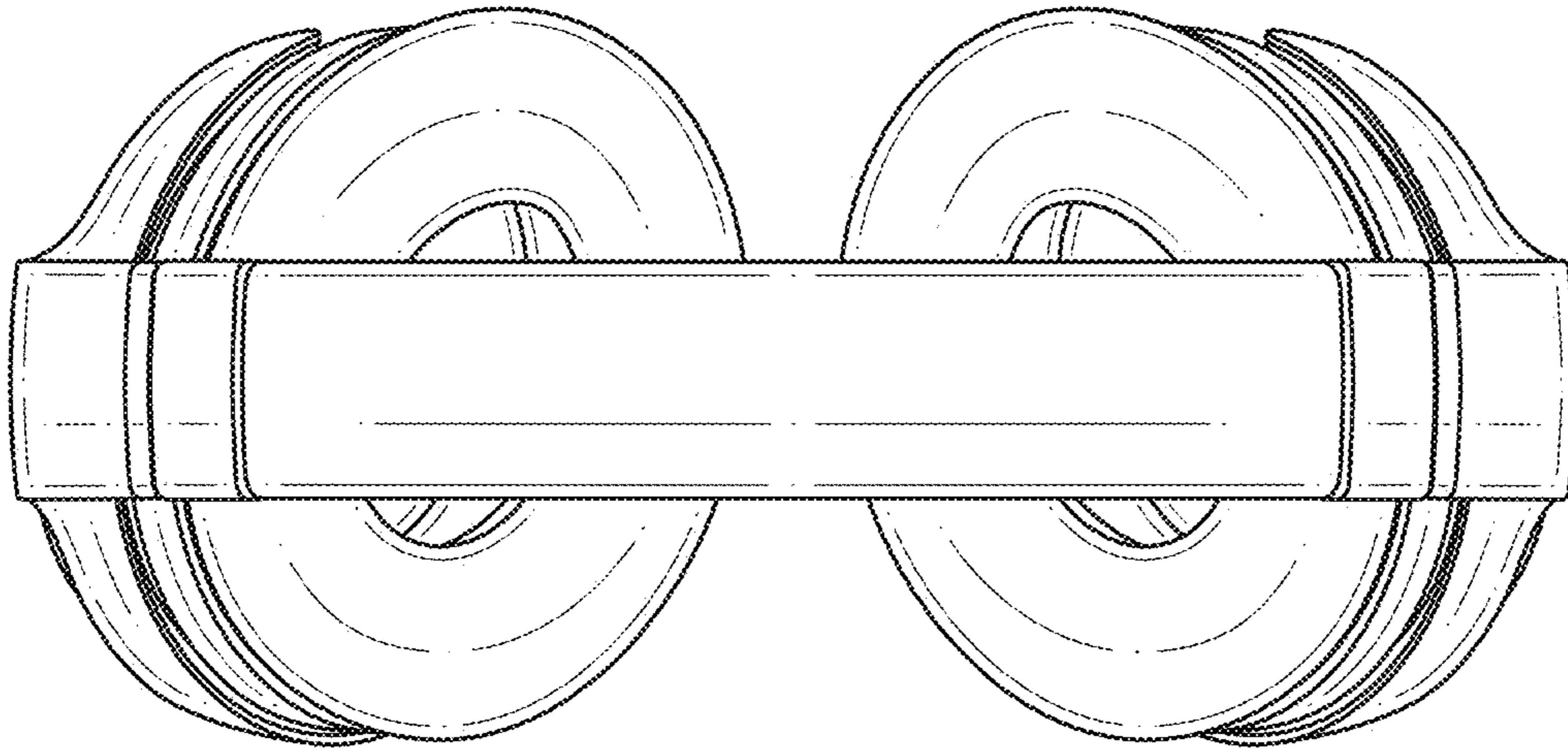


FIG. 6

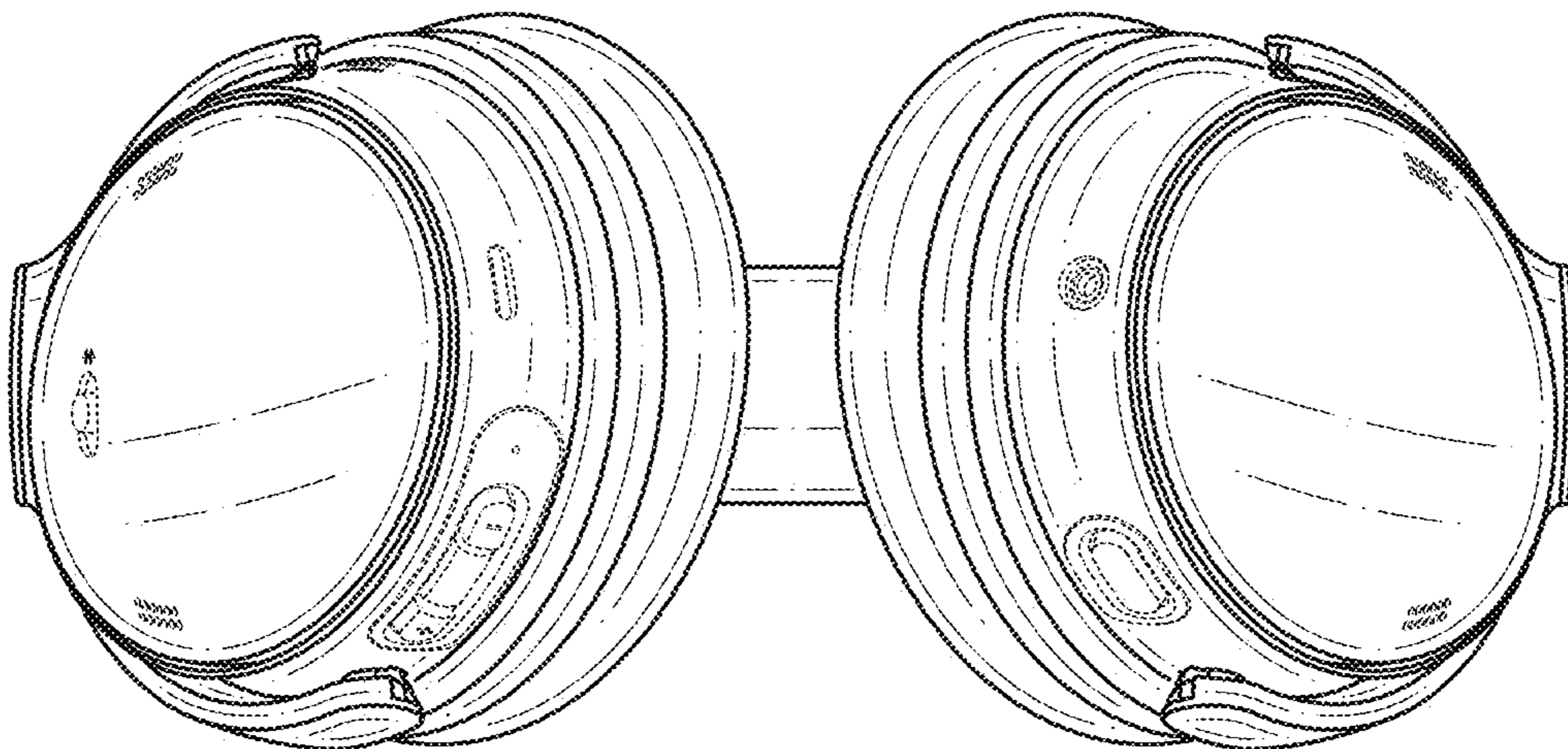


FIG. 7