



US00D970466S

(12) **United States Design Patent**  
**Hu**

(10) **Patent No.: US D970,466 S**

(45) **Date of Patent: \*\* Nov. 22, 2022**

(54) **WIRELESS HEADBAND**

(71) Applicant: **Shiming Hu**, Pingxiang (CN)

(72) Inventor: **Shiming Hu**, Pingxiang (CN)

(\*\*) Term: **15 Years**

(21) Appl. No.: **29/825,191**

(22) Filed: **Jan. 29, 2022**

(51) **LOC (13) Cl.** ..... **14-01**

(52) **U.S. Cl.**  
USPC ..... **D14/192**

(58) **Field of Classification Search**  
USPC ..... D14/192, 205; D16/301; 2/171, 181,  
2/DIG. 11; D21/483; D28/41;  
381/380-381, 376, 388; D24/190  
CPC ..... H04R 25/00; H04R 25/02; H04R 1/02;  
H04R 1/10; H04R 1/1008; H04R 9/06;  
H04R 1/105; H04R 5/033; H04R 5/0335;  
A61F 11/14; A61F 13/00; A61F 9/04;  
A42B 3/185

See application file for complete search history.

(56) **References Cited**

**U.S. PATENT DOCUMENTS**

- 2,672,664 A \* 3/1954 Sudziarski ..... B22C 7/04  
164/207
- D192,070 S \* 1/1962 Wall ..... D29/112
- D235,788 S \* 7/1975 Eberhardt ..... D21/683
- 4,394,782 A \* 7/1983 Wasson ..... A42C 5/02  
2/182.1
- 4,462,116 A \* 7/1984 Sanzone ..... A41D 20/00  
2/253
- D294,833 S \* 3/1988 Holden ..... D16/314
- 4,864,619 A \* 9/1989 Spates ..... H04R 1/10  
381/384
- D310,907 S \* 10/1990 Mark ..... D14/192
- D315,812 S \* 3/1991 Cionni ..... D29/112
- 5,038,412 A \* 8/1991 Cionni ..... A61F 11/06  
2/209

- D322,616 S \* 12/1991 Wiedner ..... D16/314
- 5,088,549 A \* 2/1992 Schneider ..... A61F 7/02  
165/DIG. 45
- D343,282 S \* 1/1994 Irish ..... D2/894
- 5,395,400 A \* 3/1995 Stafford ..... A42B 1/008  
2/209
- 5,438,698 A \* 8/1995 Burton ..... H04R 1/1033  
455/344
- D384,790 S \* 10/1997 Juergens ..... D2/866
- 5,881,390 A \* 3/1999 Young ..... A42B 1/245  
2/209.13
- 5,946,734 A \* 9/1999 Vogan ..... A42B 3/121  
2/200.1
- D446,609 S \* 8/2001 Hill ..... A61F 11/06  
D29/112

(Continued)

**FOREIGN PATENT DOCUMENTS**

- EM 008468870-0001 \* 3/2021
- GB 6145649 \* 6/2021

*Primary Examiner* — Paula Allen Greene

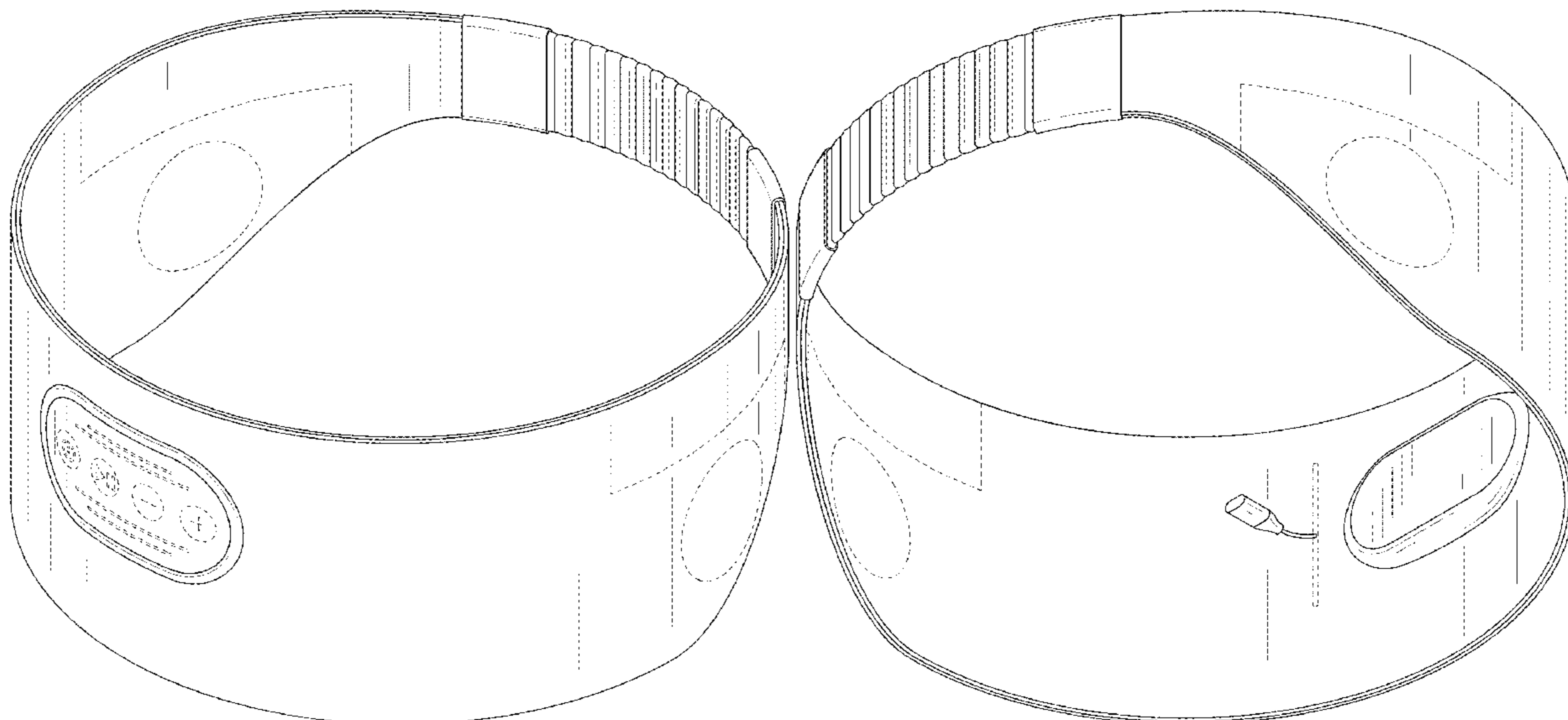
(57) **CLAIM**

The ornamental design for a wireless headband, as shown and described.

**DESCRIPTION**

FIG. 1 is a perspective view of a wireless headband showing my new design;  
 FIG. 2 is another perspective view thereof;  
 FIG. 3 is a front elevational view thereof;  
 FIG. 4 is a rear elevational view thereof;  
 FIG. 5 is a left side elevational view thereof;  
 FIG. 6 is a right side elevational view thereof;  
 FIG. 7 is a top plan view thereof; and,  
 FIG. 8 is a bottom plan view thereof.  
 The broken lines in the drawings depict portions of the wireless headband that form no part of the claimed design.

**1 Claim, 8 Drawing Sheets**



(56)

References Cited

U.S. PATENT DOCUMENTS

6,438,761 B1 \* 8/2002 McGarrity ..... A42B 3/00  
2/410  
D547,500 S \* 7/2007 Karrman ..... A61F 11/14  
D29/112  
D592,236 S \* 5/2009 McGrath ..... A61F 9/04  
D16/301  
8,111,859 B2 2/2012 Phillips  
D668,703 S \* 10/2012 Gordon ..... D16/301  
D669,633 S \* 10/2012 Hedgren ..... D2/894  
8,605,935 B1 \* 12/2013 Huang ..... H04R 1/105  
381/381  
8,636,066 B2 \* 1/2014 Gupta ..... C09K 8/514  
166/308.1  
D718,369 S \* 11/2014 Janavicius ..... D16/312  
8,959,668 B1 \* 2/2015 Ganes ..... A42B 3/205  
2/9  
9,168,176 B2 \* 10/2015 Peebles ..... A63B 71/10  
D837,870 S \* 1/2019 Warnock ..... A61F 9/04  
D16/312  
D861,060 S \* 9/2019 Zheng ..... A61F 9/04  
D16/301  
10,426,666 B1 \* 10/2019 Seidenfeld ..... A61F 7/02  
D867,436 S \* 11/2019 Lian ..... D16/301  
D867,437 S \* 11/2019 Lian ..... D16/301

D870,062 S \* 12/2019 Peng ..... D2/866  
D887,484 S \* 6/2020 Guo ..... A61F 9/04  
D16/301  
D906,405 S \* 12/2020 Seidenfeld ..... D16/301  
D907,688 S \* 1/2021 Du ..... D16/301  
D907,849 S \* 1/2021 Welch ..... D28/41  
D913,984 S \* 3/2021 Li ..... D14/192  
D918,991 S \* 5/2021 Du ..... D16/301  
D932,459 S \* 10/2021 Liu ..... D14/205  
D938,381 S \* 12/2021 Li ..... D16/301  
D946,549 S \* 3/2022 Wang ..... D14/205  
D952,595 S \* 5/2022 Lan ..... D14/192  
D954,133 S \* 6/2022 Chen ..... D16/301  
D959,403 S \* 8/2022 Li ..... D14/205  
D959,404 S \* 8/2022 Li ..... D14/205  
2006/0278252 A1 \* 12/2006 Miller ..... A45D 8/34  
132/274  
2012/0272484 A1 \* 11/2012 Willborn ..... A61F 9/029  
24/3.12  
2012/0324638 A1 \* 12/2012 Tobia ..... A61F 9/025  
351/83  
2017/0238078 A1 \* 8/2017 Kimble ..... H04B 1/3888  
381/74  
2018/0055691 A1 \* 3/2018 Renaud ..... A61F 7/02  
2019/0037314 A1 \* 1/2019 Hanson ..... H04R 5/033  
2019/0132663 A1 \* 5/2019 Lu ..... H04R 1/1008

\* cited by examiner

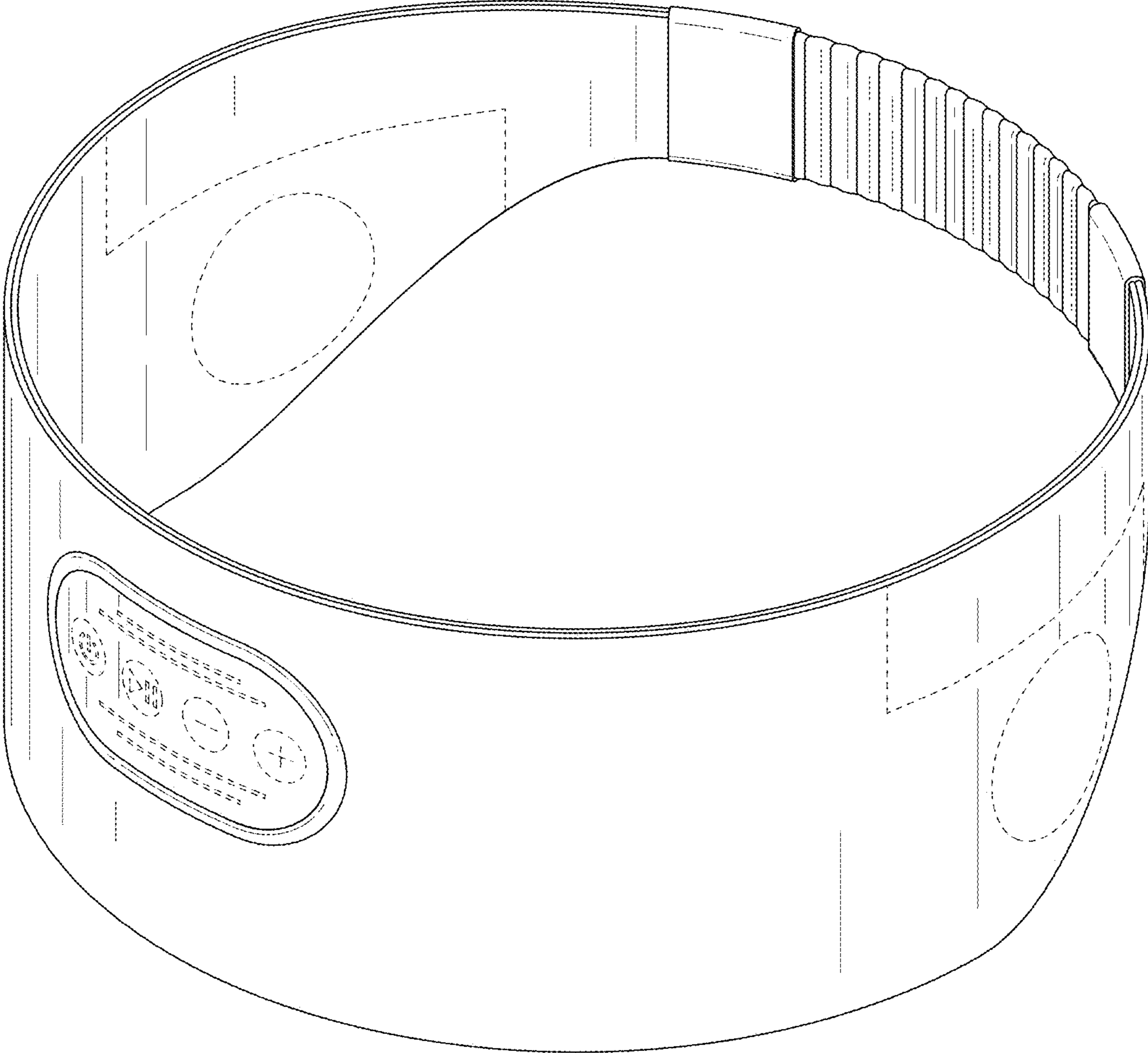


FIG. 1

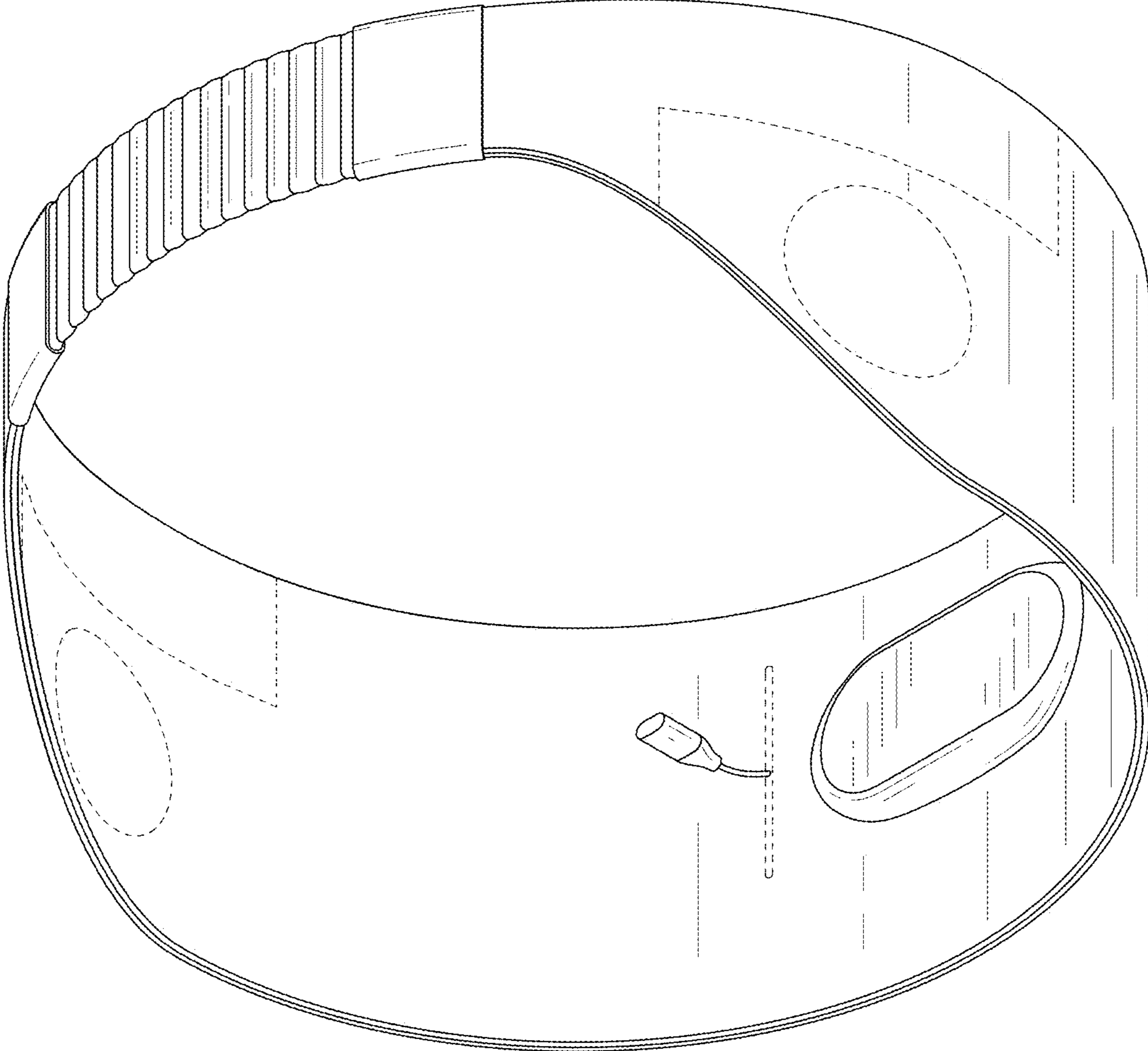


FIG. 2

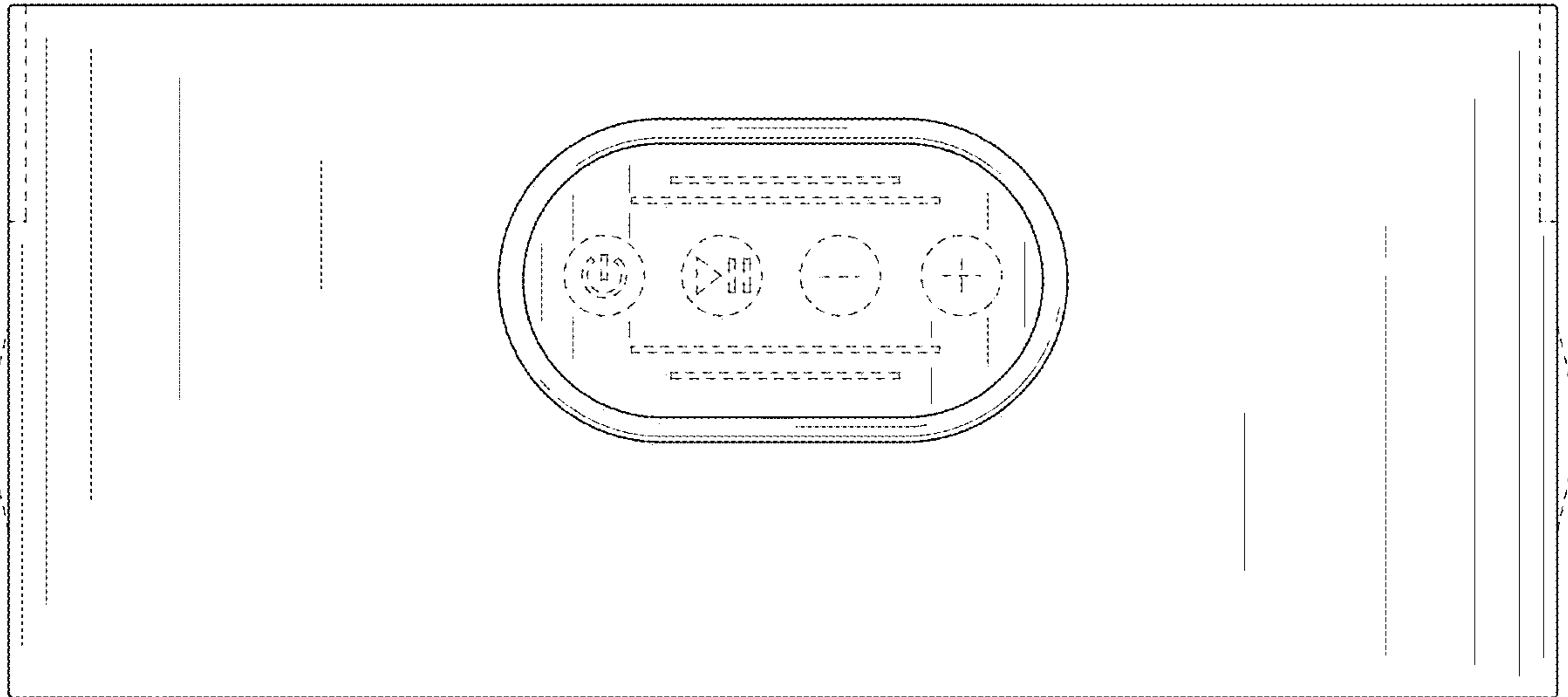


FIG. 3

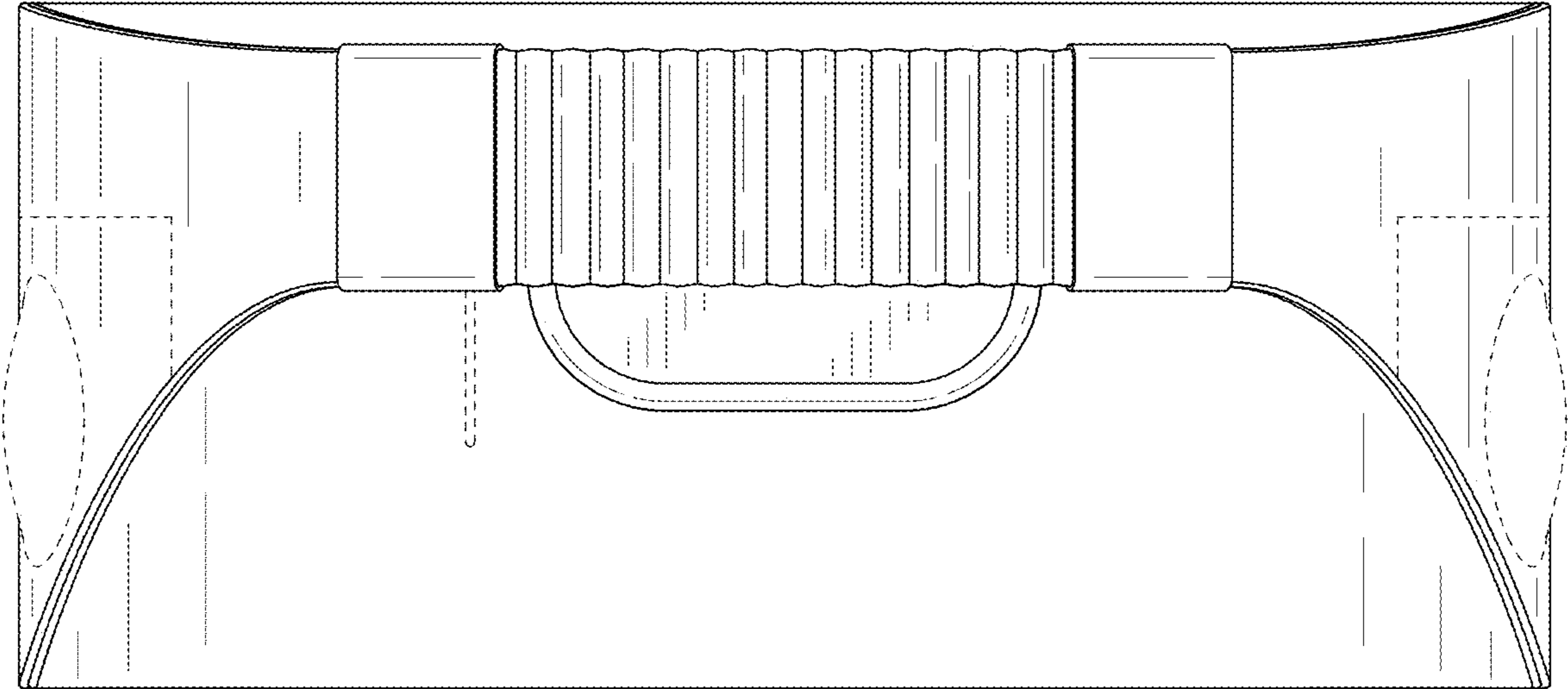


FIG. 4

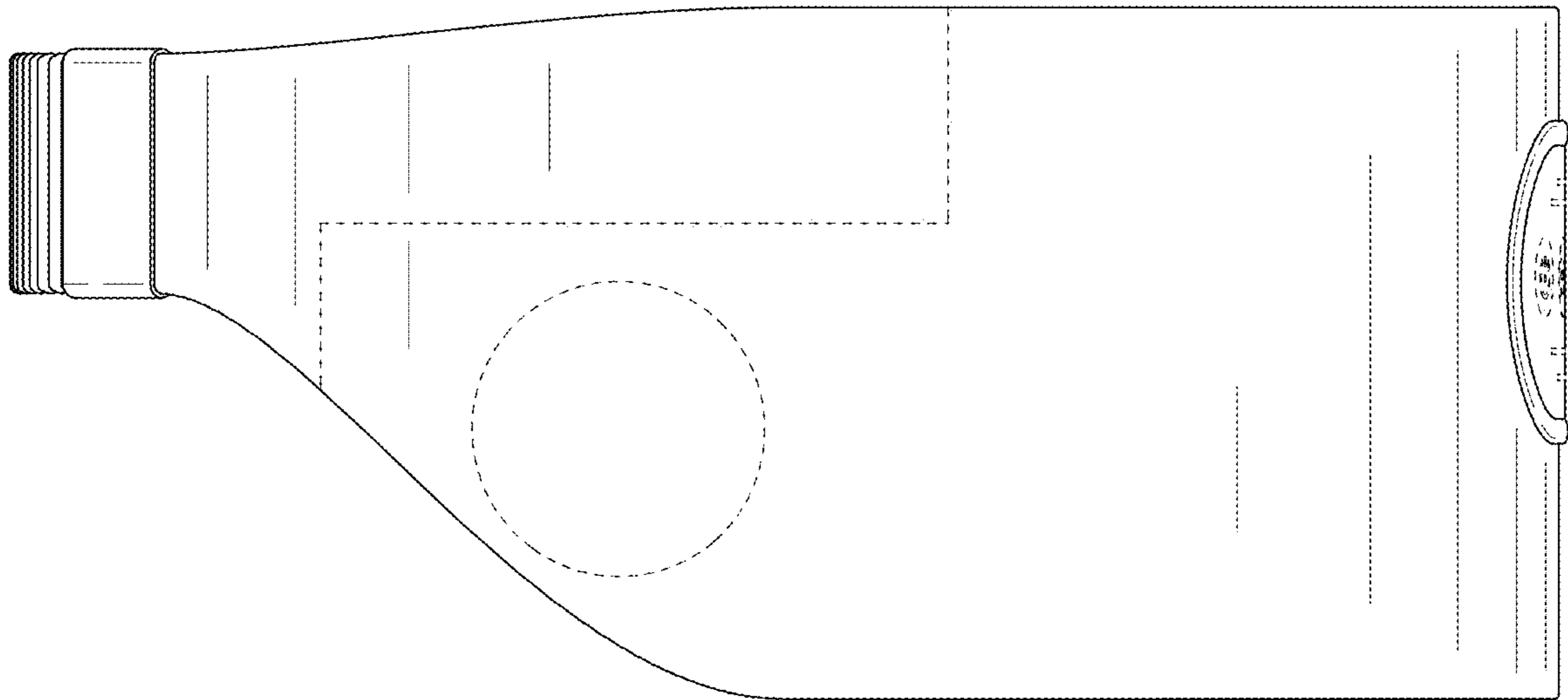


FIG. 5

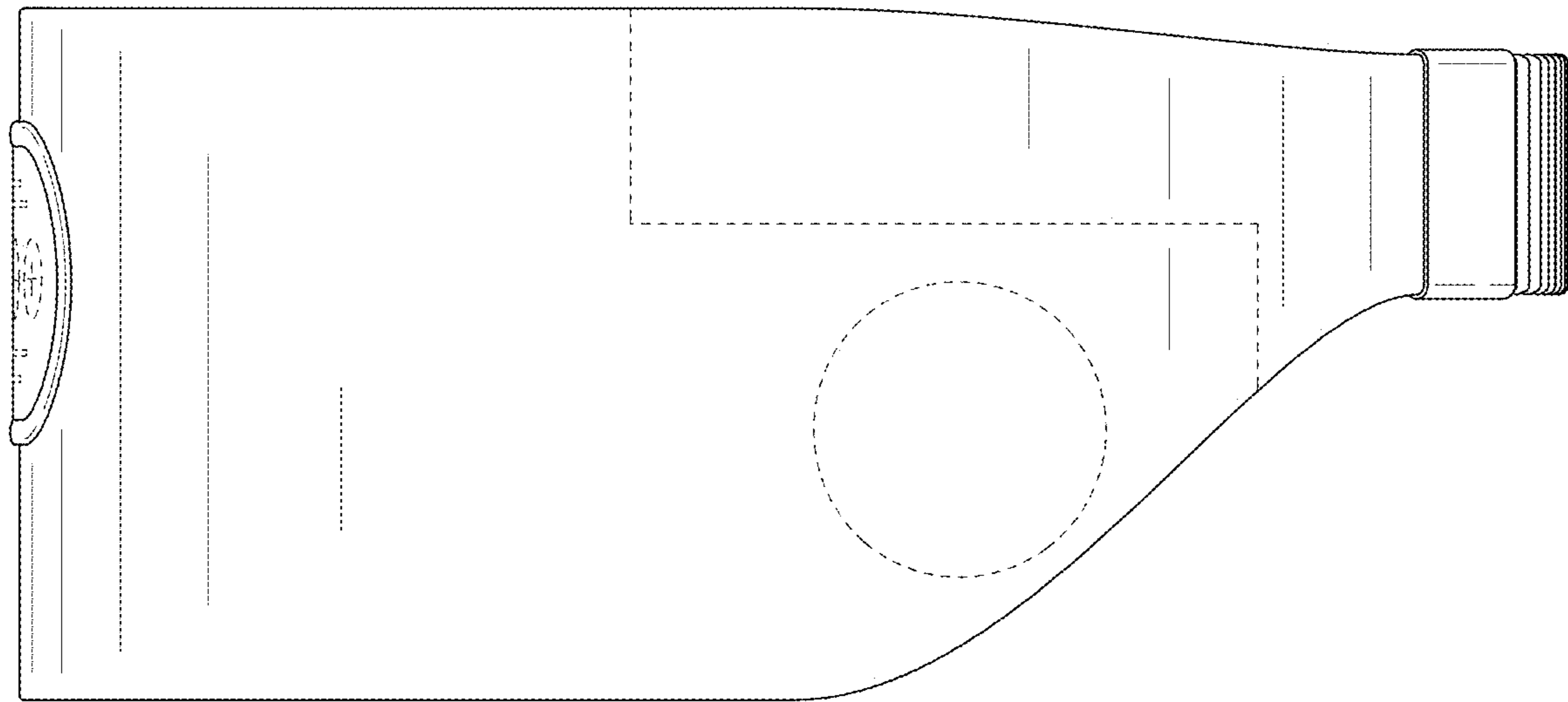


FIG. 6



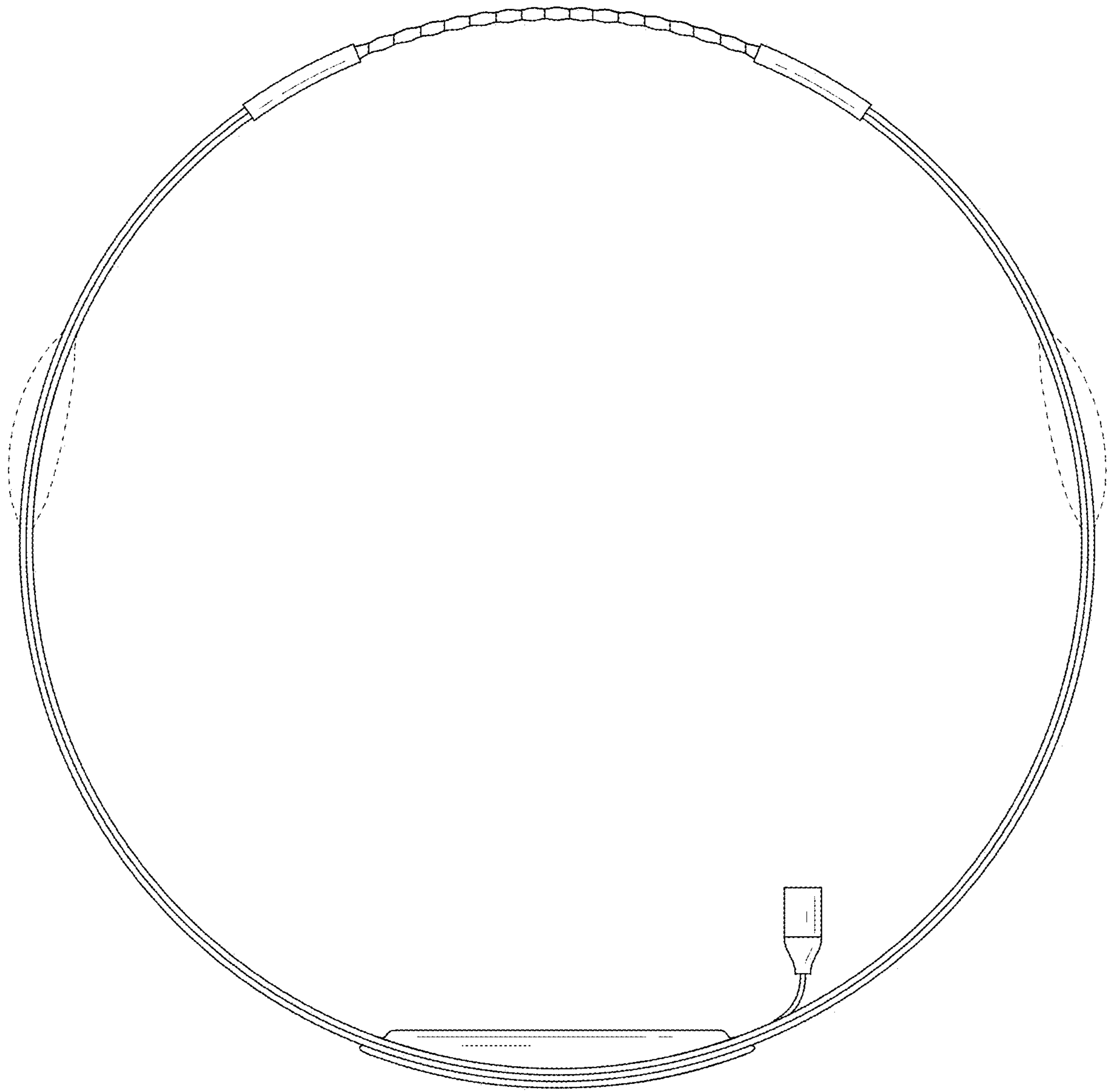


FIG. 7

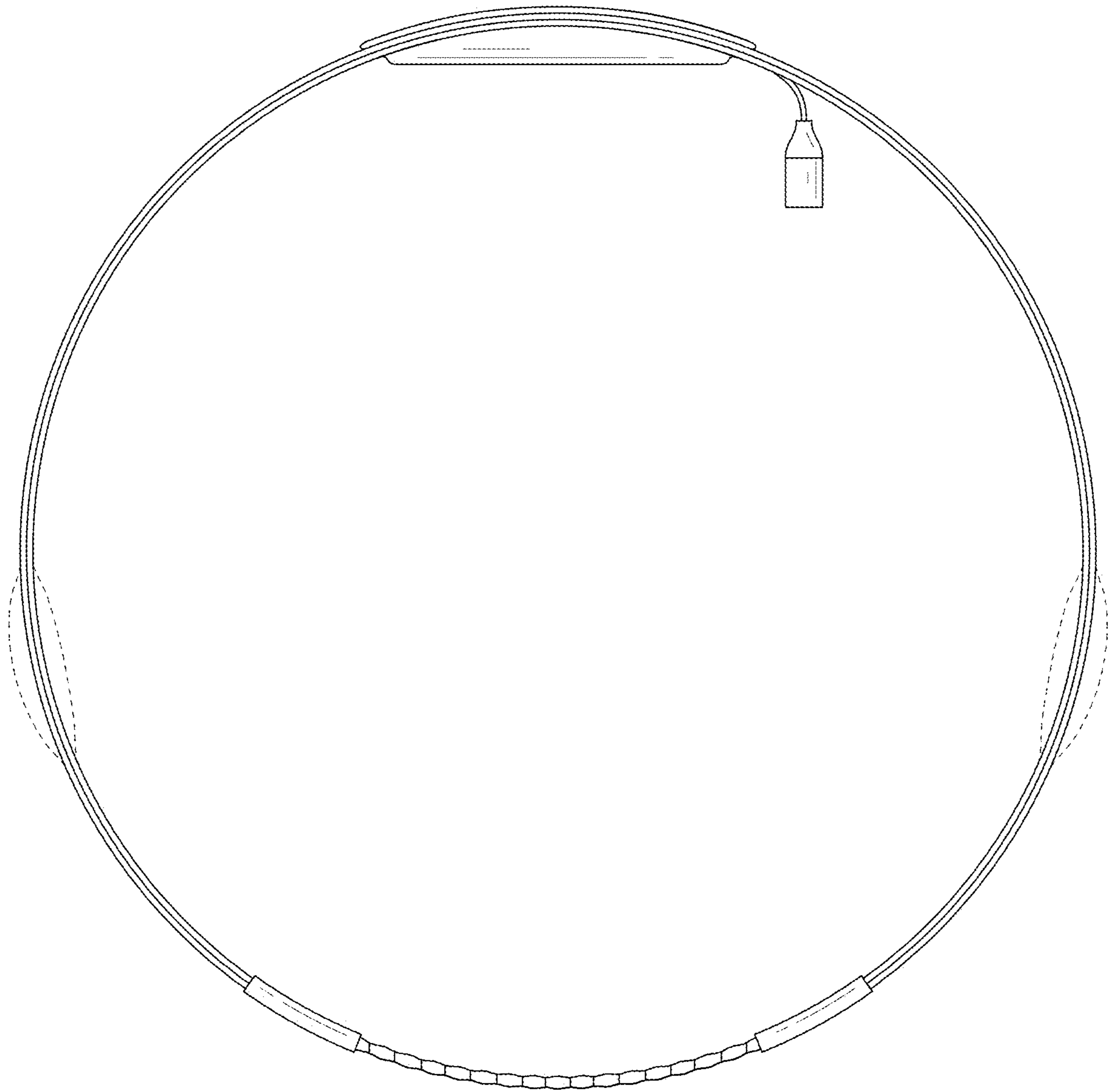


FIG. 8