



US00D970465S

(12) **United States Design Patent** (10) **Patent No.:** **US D970,465 S**
Wang (45) **Date of Patent:** **** Nov. 22, 2022**

(54) **WIRELESS HEADBAND**

(71) Applicant: **Min Wang**, Shenzhen (CN)

(72) Inventor: **Min Wang**, Shenzhen (CN)

(**) Term: **15 Years**

(21) Appl. No.: **29/825,189**

(22) Filed: **Jan. 29, 2022**

(51) **LOC (13) Cl.** **14-03**

(52) **U.S. Cl.**
USPC **D14/192**

(58) **Field of Classification Search**
USPC D2/865, 867, 875, 877; D6/601;
D14/192, 205, 217, 223, 372
CPC F21V 21/084; A61F 9/027
See application file for complete search history.

(56) **References Cited**

U.S. PATENT DOCUMENTS

3,922,725	A *	12/1975	Csiki	A61F 11/14
					2/209
4,418,248	A *	11/1983	Mathis	H04R 1/26
					381/373
D284,080	S *	6/1986	Swezey	D2/866
4,727,599	A *	2/1988	Rappaport	H04R 5/0335
					455/352
D315,812	S *	3/1991	Cionni	D29/112
D328,160	S *	7/1992	Sudduth	D29/112
D364,710	S *	11/1995	Byrd	D29/112
D384,790	S *	10/1997	Juergens	D2/866
D547,500	S *	7/2007	Karrman	A61F 11/14
					D29/112
8,111,859	B2	2/2012	Phillips		
			(Continued)		

OTHER PUBLICATIONS

[Sleep Headphones Bluetooth Sleeping Headband:], available in Amazon.com, date first available Mar. 24, 2022 [online], [site visited Aug. 4, 2022], Available from the internet URL: https://

www.amazon.com/Sleep-Headphones-Bluetooth-Sleeping-Headband/dp/B09WDKTWWR/ref=sr_1_42 (Year: 2022 (Year: 2022)).*

Primary Examiner — Khawaja Anwar
Assistant Examiner — Megan Tiana Rakos

(57) **CLAIM**

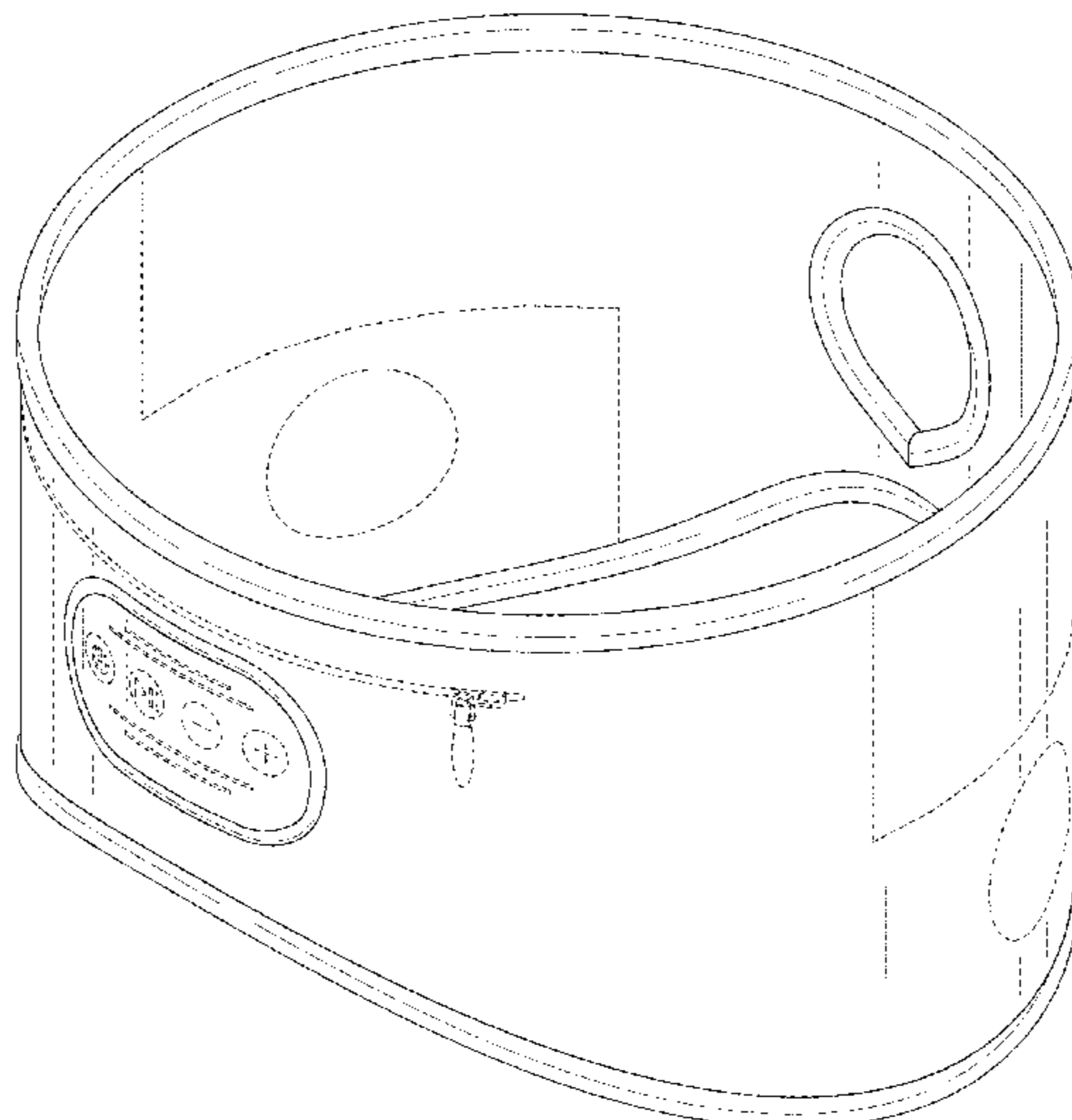
The ornamental design for a wireless headband, as shown and described.

DESCRIPTION

FIG. 1 is a perspective view of a first embodiment of a wireless headband showing my new design; FIG. 2 is another perspective view thereof; FIG. 3 is a front elevational view thereof; FIG. 4 is a rear elevational view thereof; FIG. 5 is a left side elevational view thereof; FIG. 6 is a right side elevational view thereof; FIG. 7 is a top plan view thereof; FIG. 8 is a bottom plan view thereof; FIG. 9 is a perspective view of a second embodiment of the wireless headband; FIG. 10 is another perspective view thereof; FIG. 11 is a front elevational view thereof; FIG. 12 is a rear elevational view thereof; FIG. 13 is a left side elevational view thereof; FIG. 14 is a right side elevational view thereof; FIG. 15 is a top plan view thereof; FIG. 16 is a bottom plan view thereof; FIG. 17 is a perspective view of a third embodiment of the wireless headband; FIG. 18 is another perspective view thereof; FIG. 19 is a front elevational view thereof; FIG. 20 is a rear elevational view thereof; FIG. 21 is a left side elevational view thereof; FIG. 22 is a right side elevational view thereof; FIG. 23 is a top plan view thereof; and, FIG. 24 is a bottom plan view thereof.

The broken lines in the drawings depict portions of the wireless headband that form no part of the claimed design.

1 Claim, 24 Drawing Sheets



(56)

References Cited

U.S. PATENT DOCUMENTS

8,213,670 B2 * 7/2012 Lai H04R 5/0335
381/376
D687,189 S * 7/2013 Fairclough D29/112
D712,880 S * 9/2014 Lin D14/223
D815,806 S * 4/2018 Zundel D2/867
D832,558 S * 11/2018 Hawes D2/875
D870,062 S * 12/2019 Peng D2/866
D913,984 S * 3/2021 Li D14/192
D926,442 S * 8/2021 Lopes D29/102
D932,459 S * 10/2021 Liu D14/205
D944,494 S * 3/2022 Peng D2/875
D946,549 S * 3/2022 Wang D14/205
D949,355 S * 4/2022 Steingold A61N 5/0622
D24/209
D959,403 S * 8/2022 Li D14/205
D959,404 S * 8/2022 Li D14/205
2008/0144872 A1 * 6/2008 Phillips H04R 5/0335
381/301
2014/0321661 A1 * 10/2014 Alao H04R 1/105
381/74
2019/0132663 A1 * 5/2019 Lu H04R 1/1008

* cited by examiner

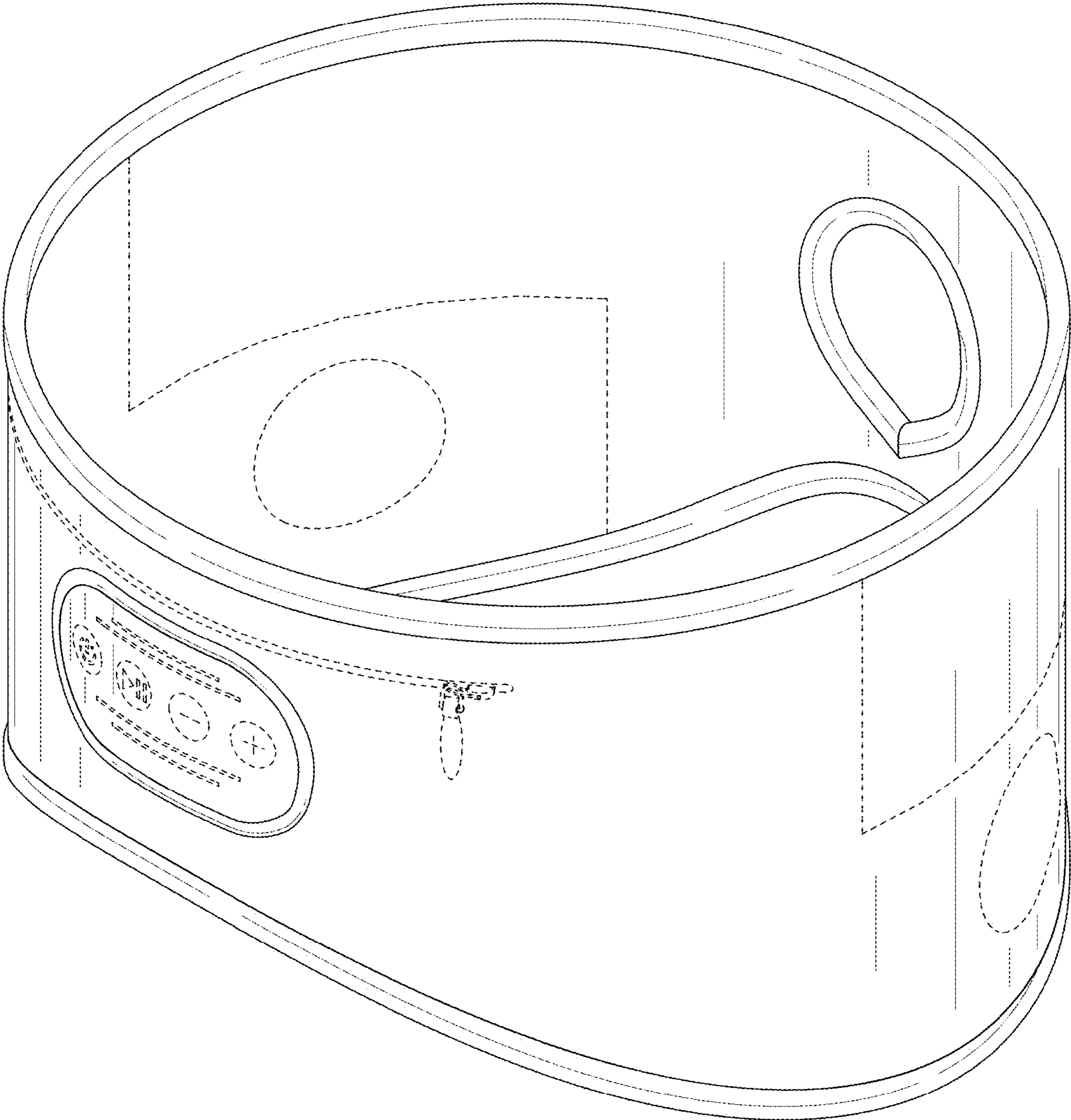


FIG. 1

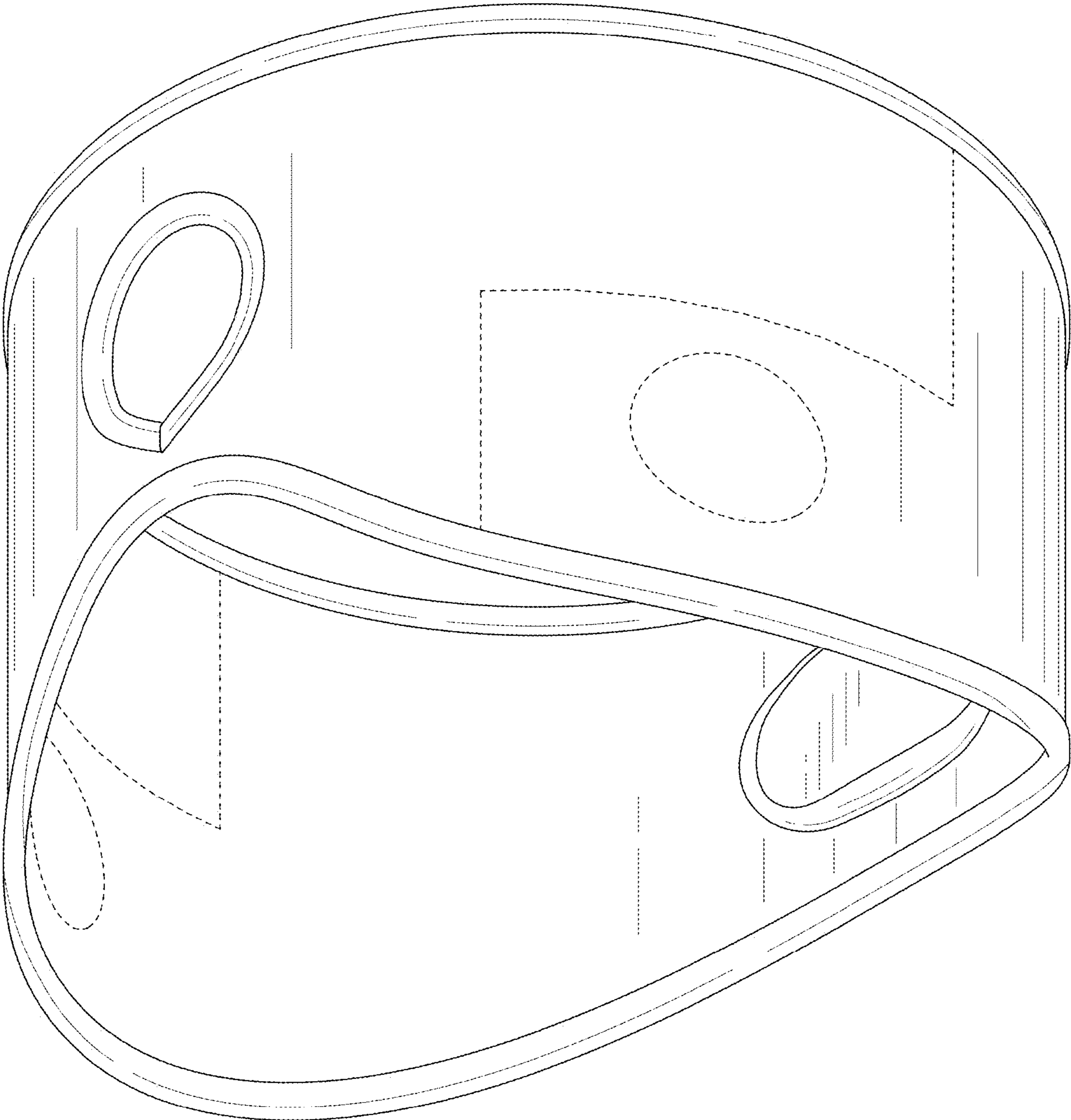


FIG. 2

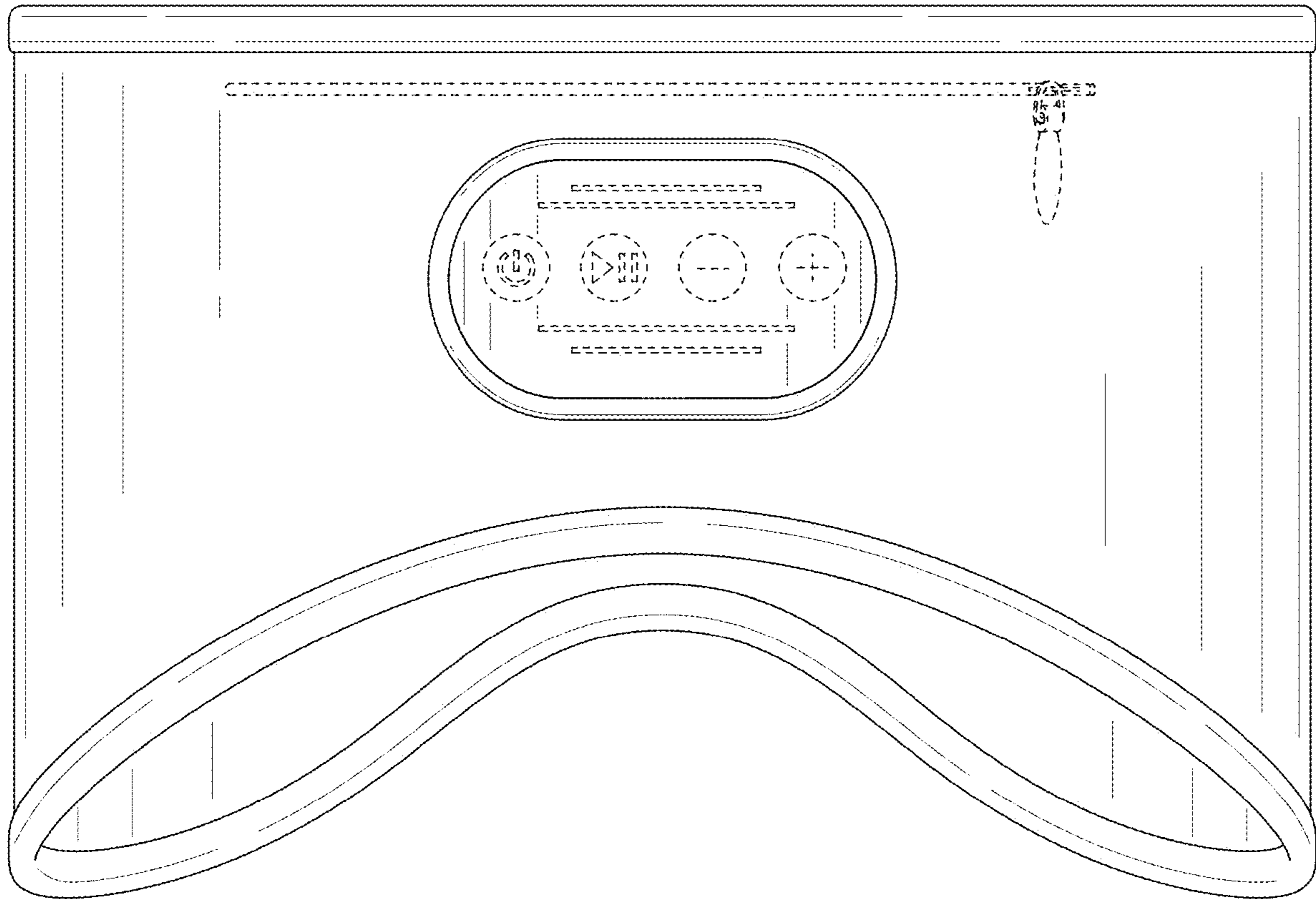


FIG. 3

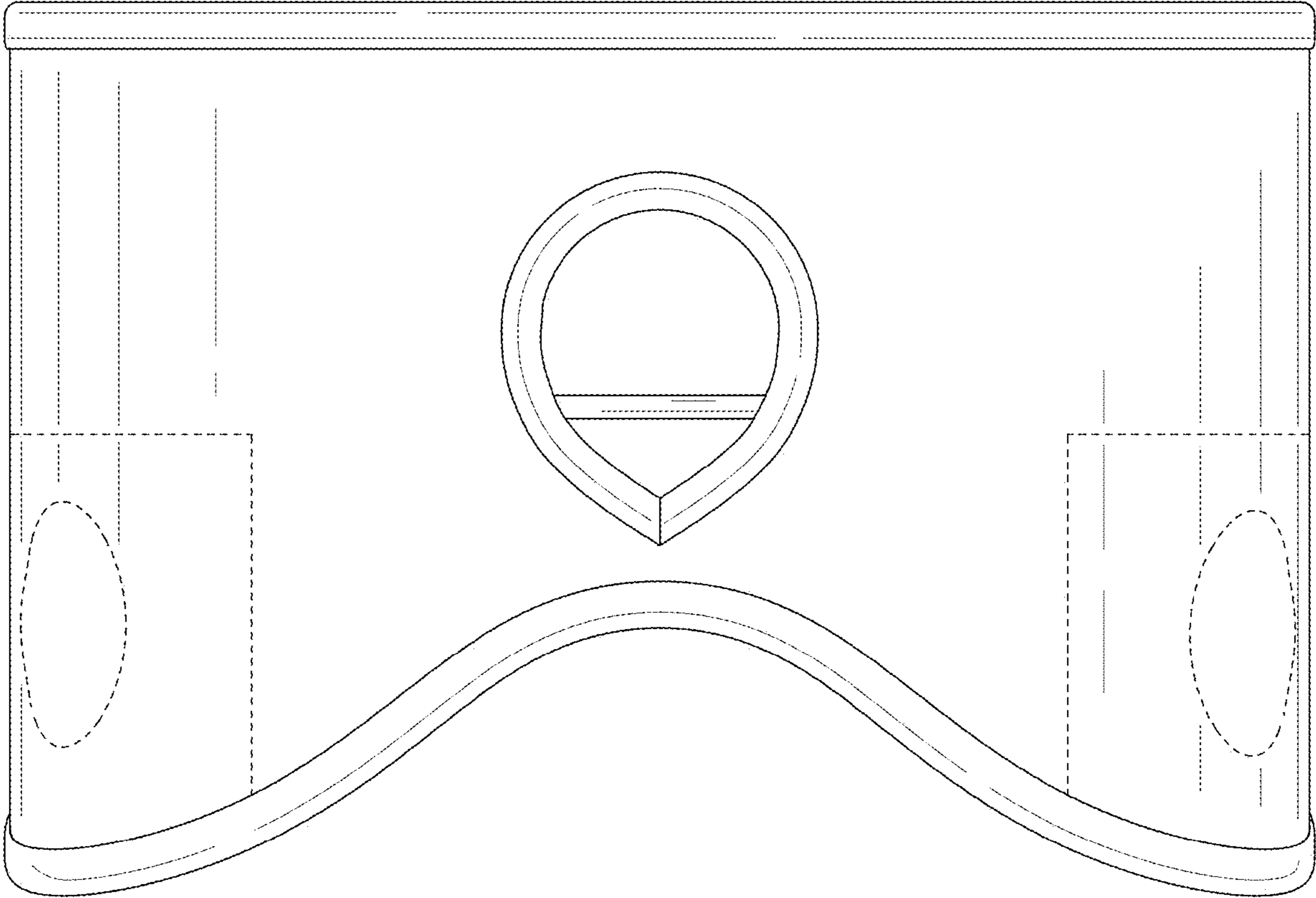


FIG. 4

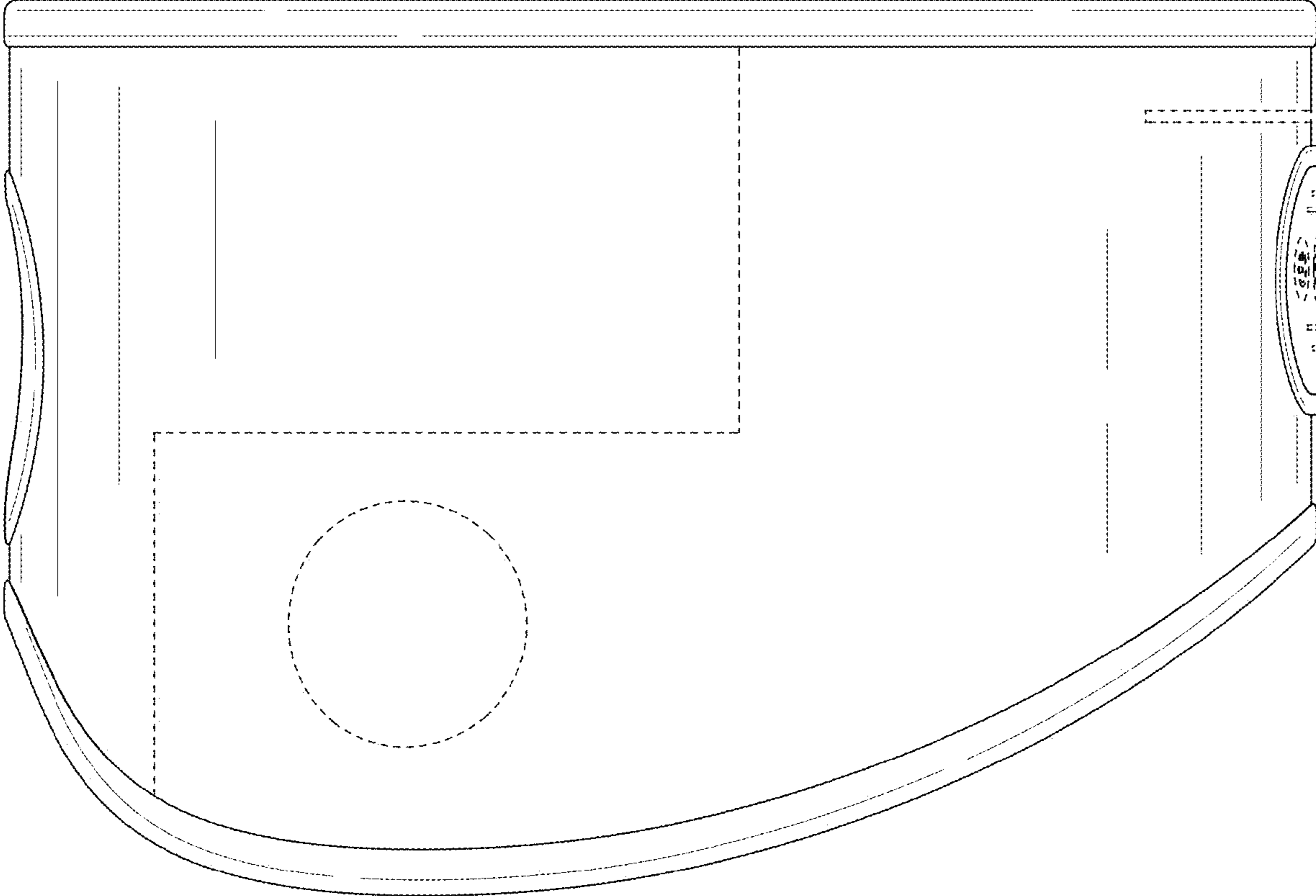


FIG. 5

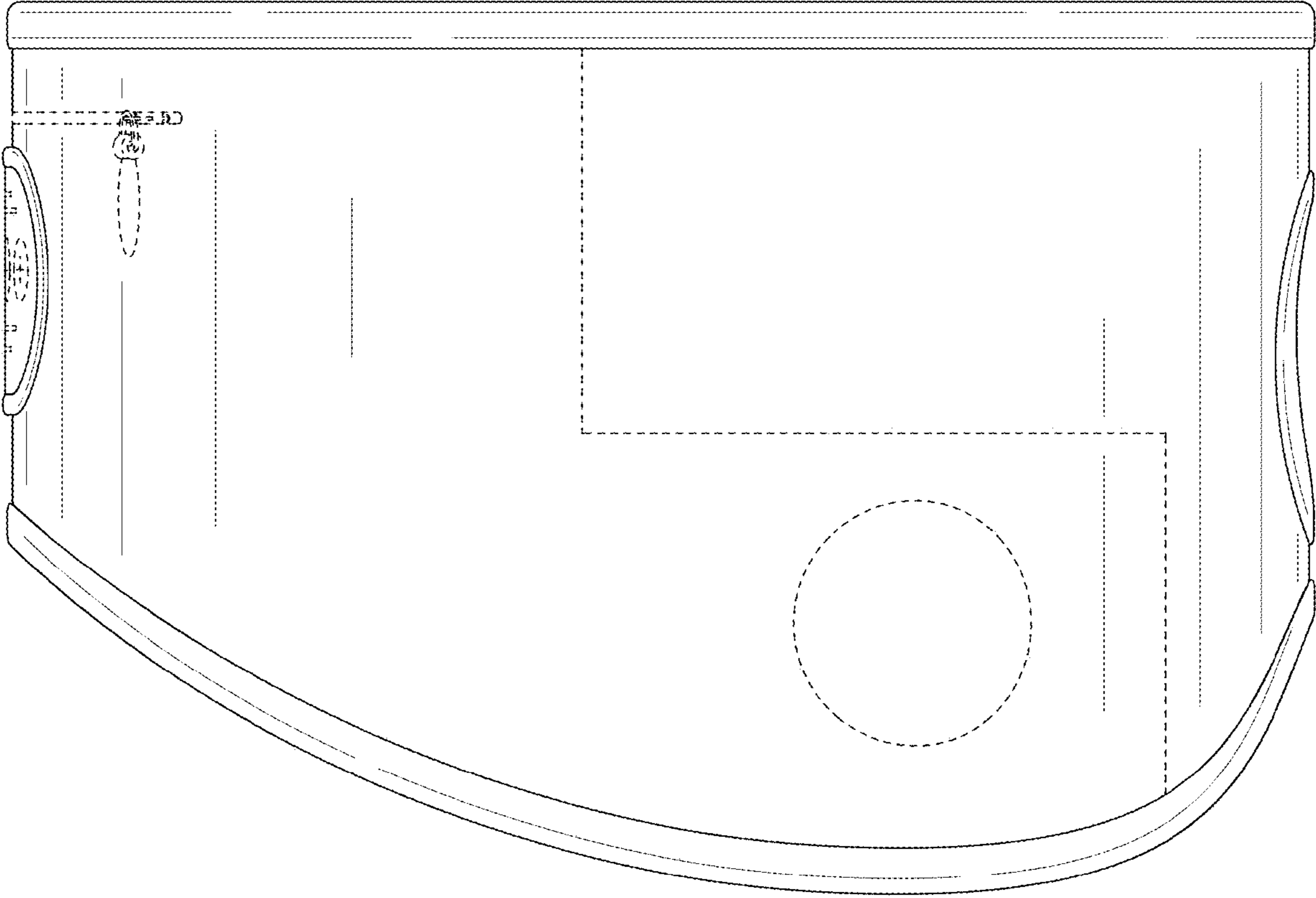


FIG. 6

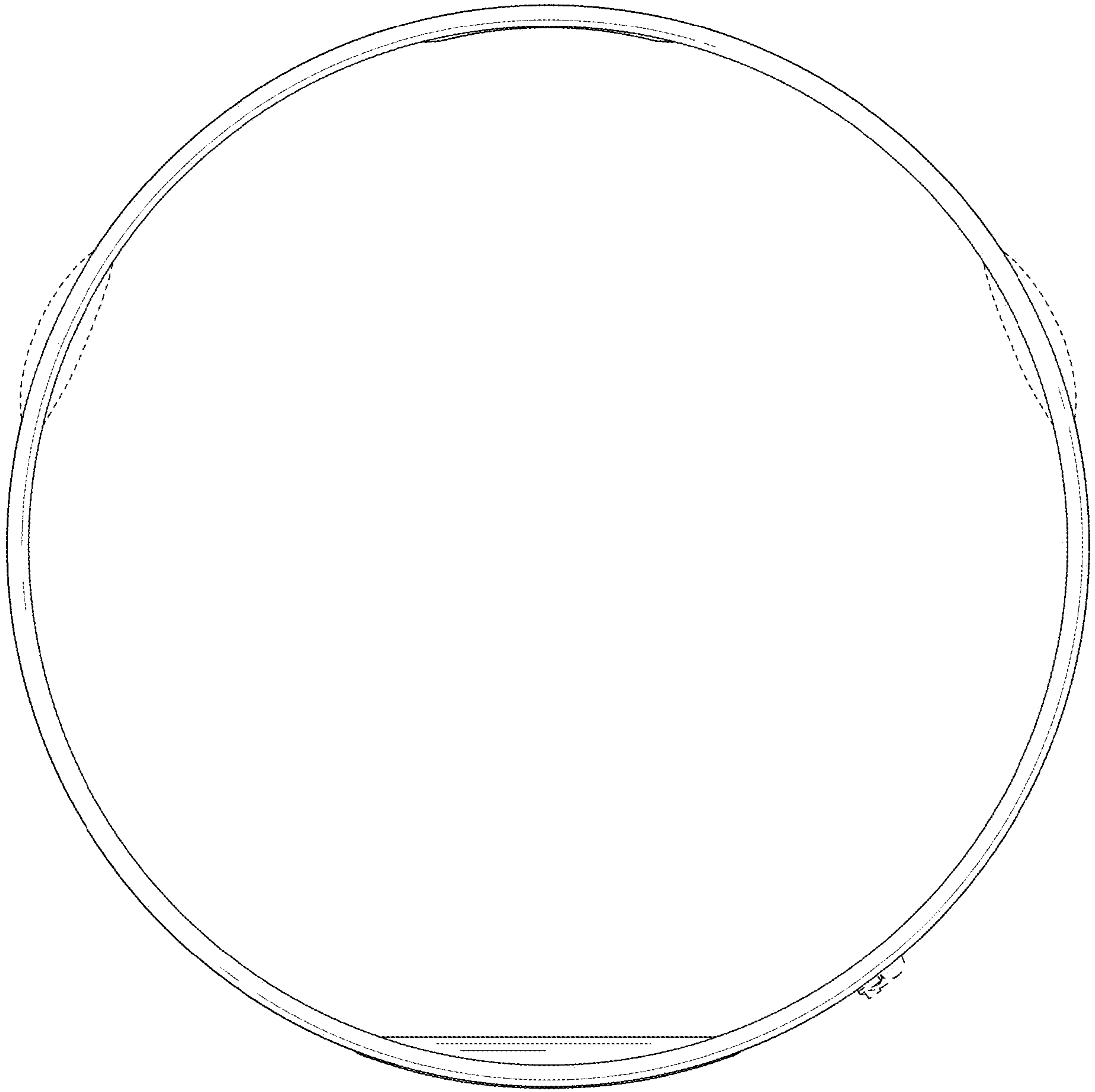


FIG. 7

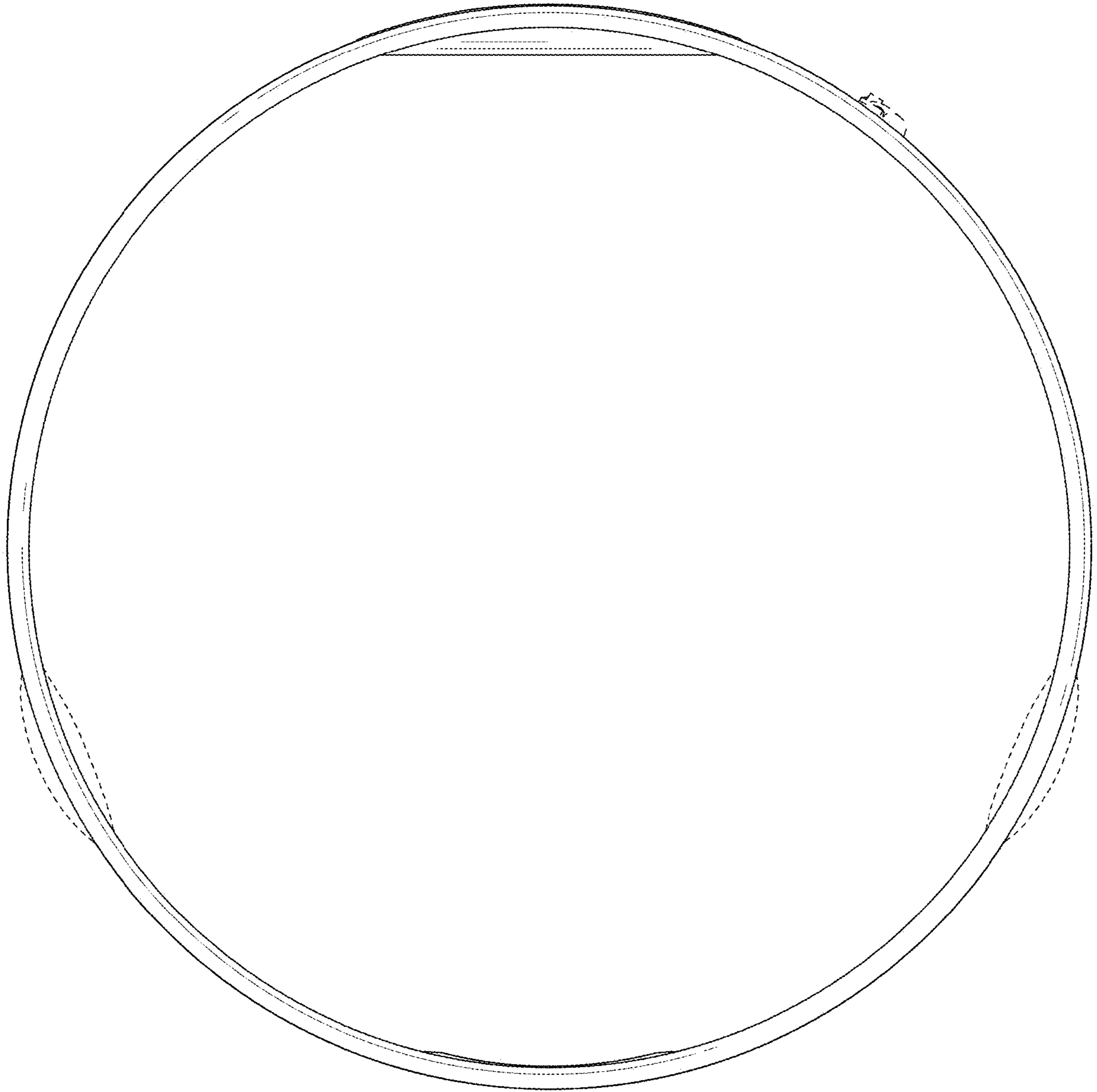


FIG. 8

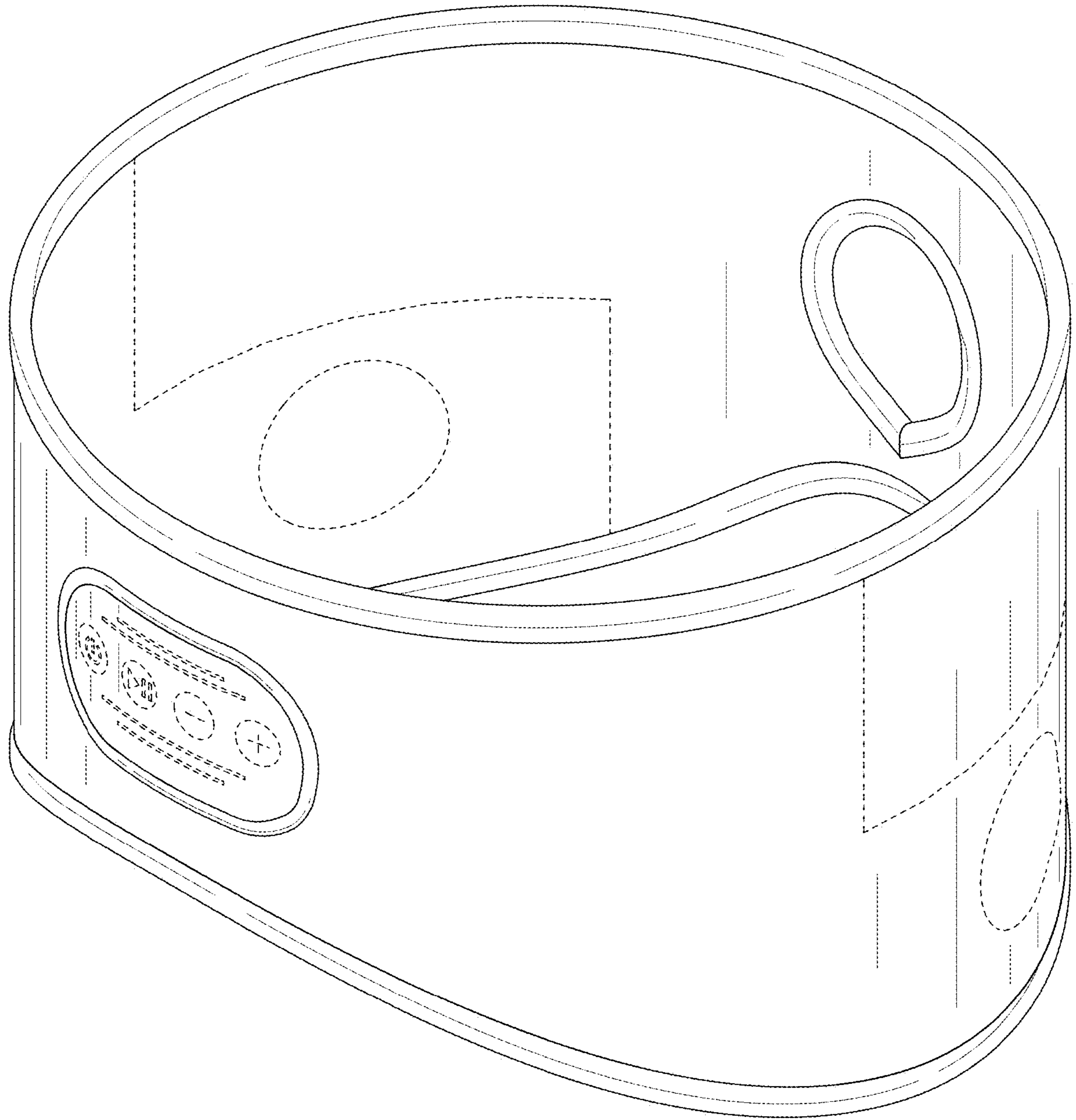


FIG. 9

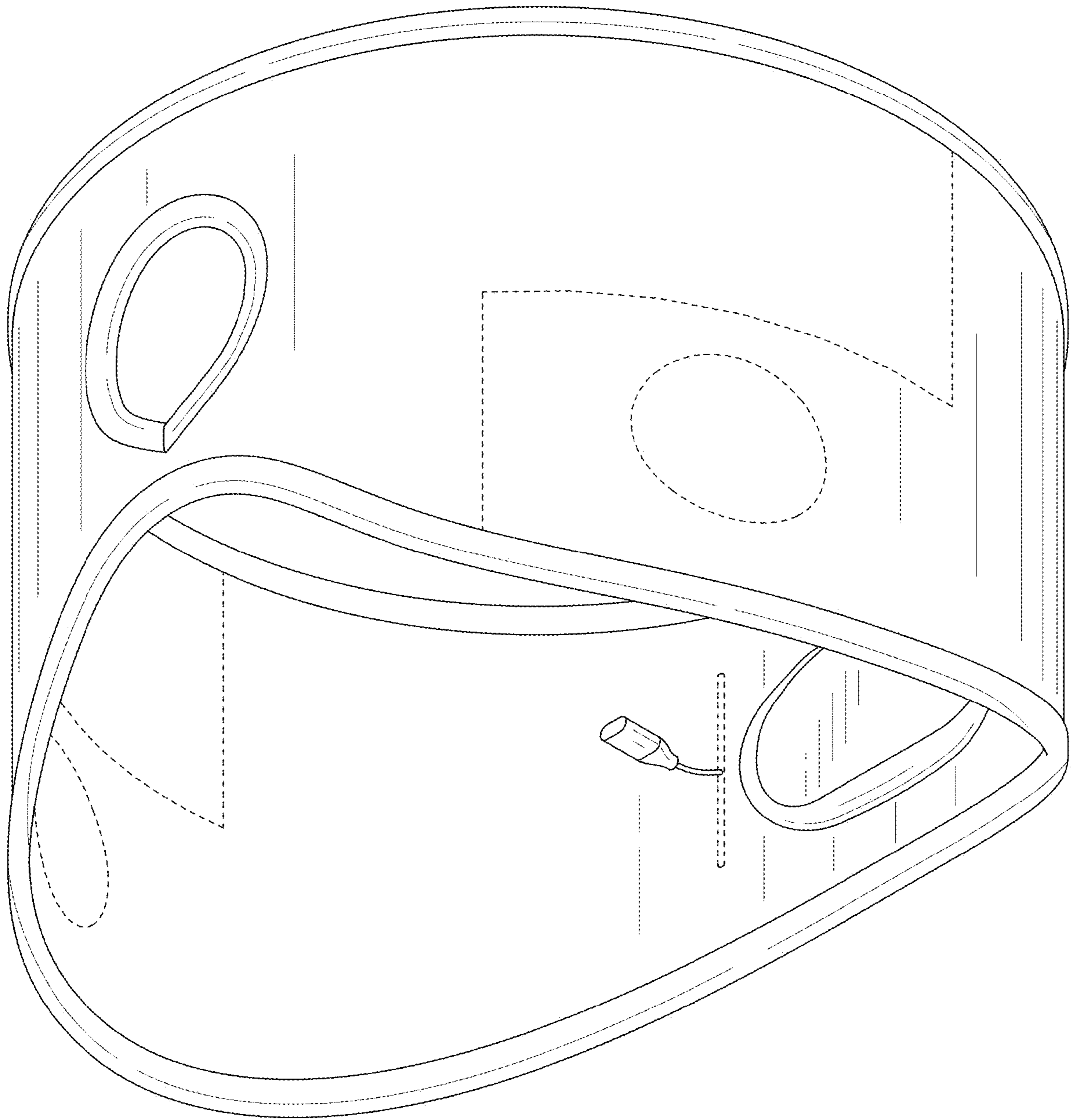


FIG. 10

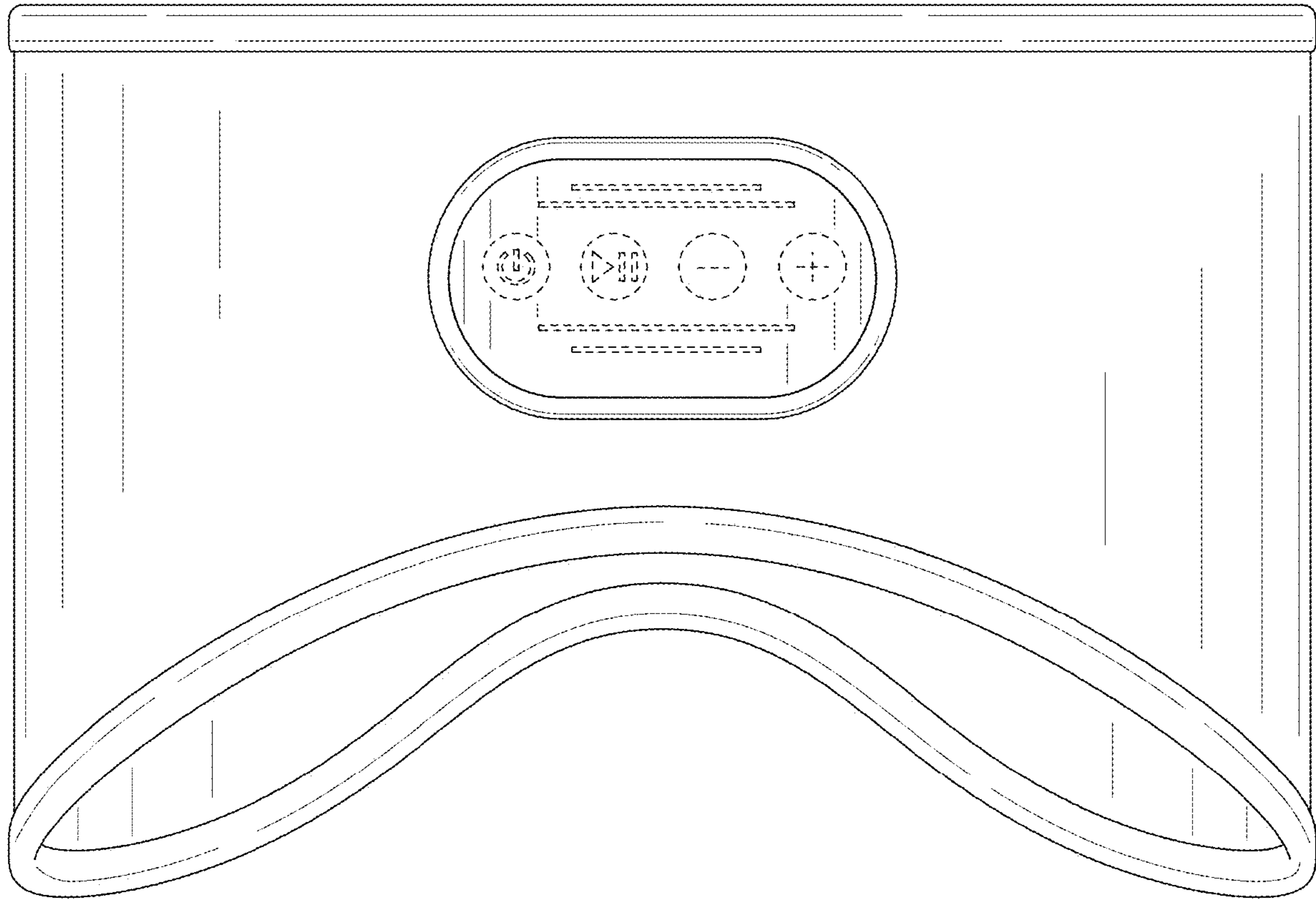


FIG. 11

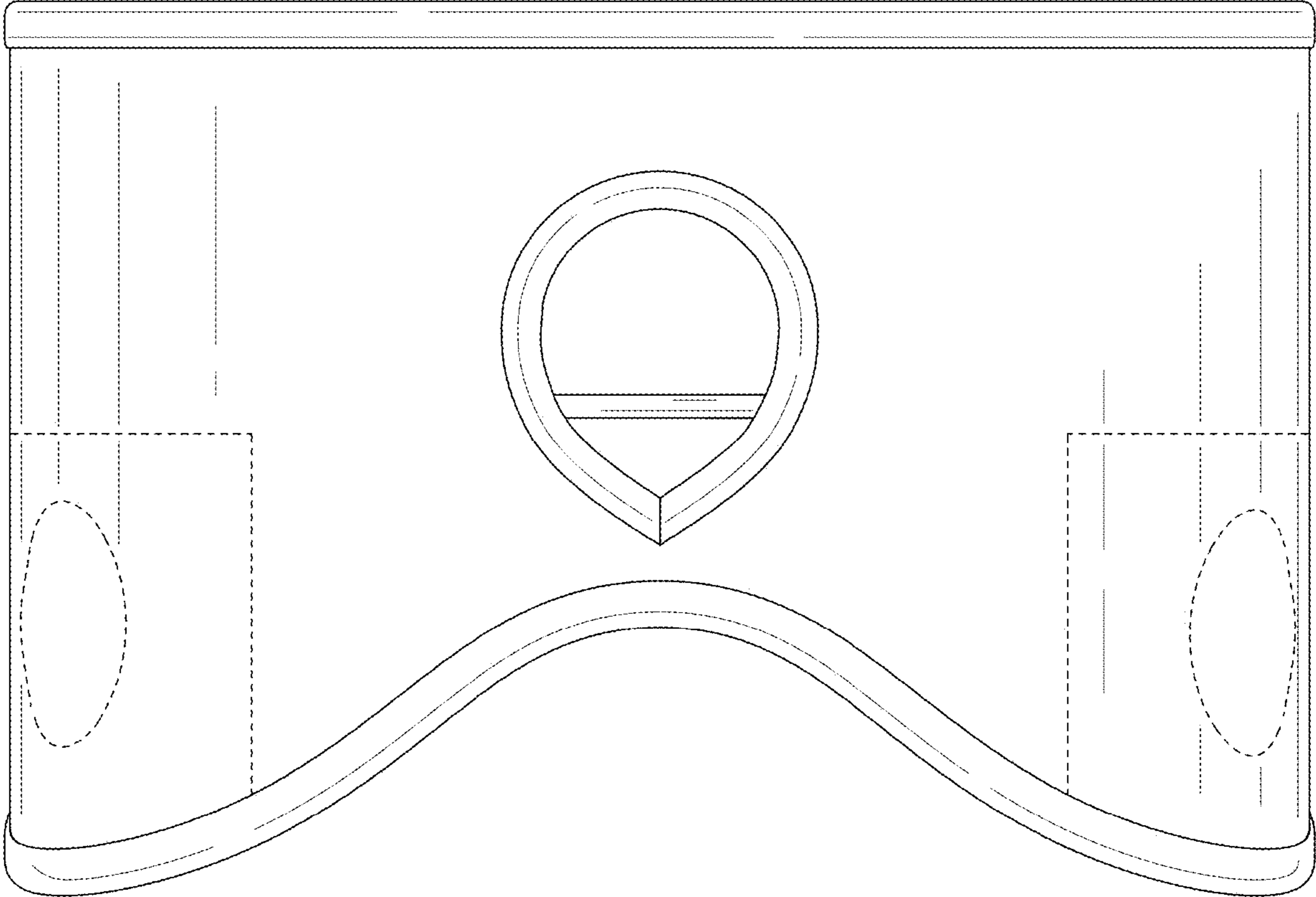


FIG. 12

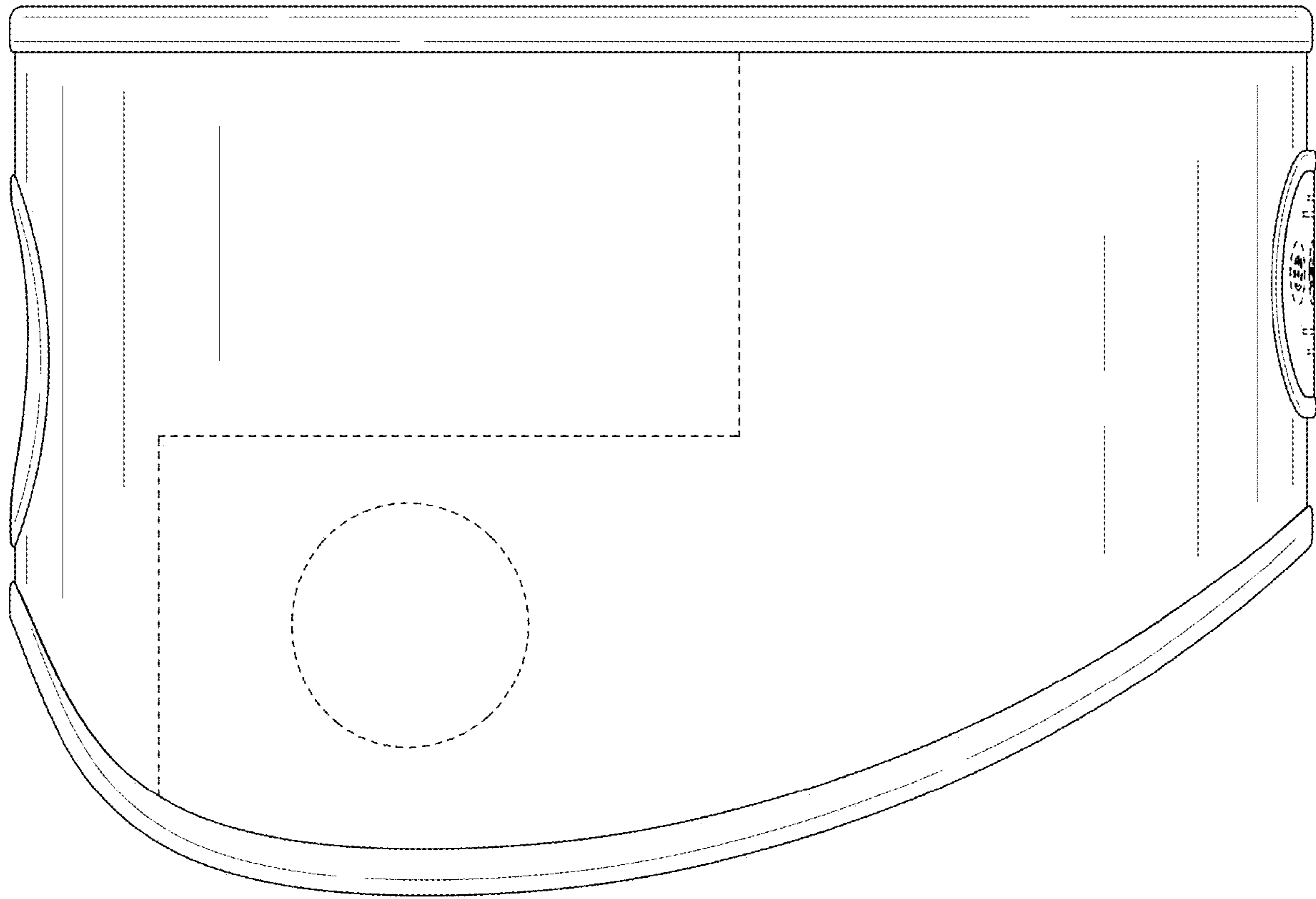


FIG. 13

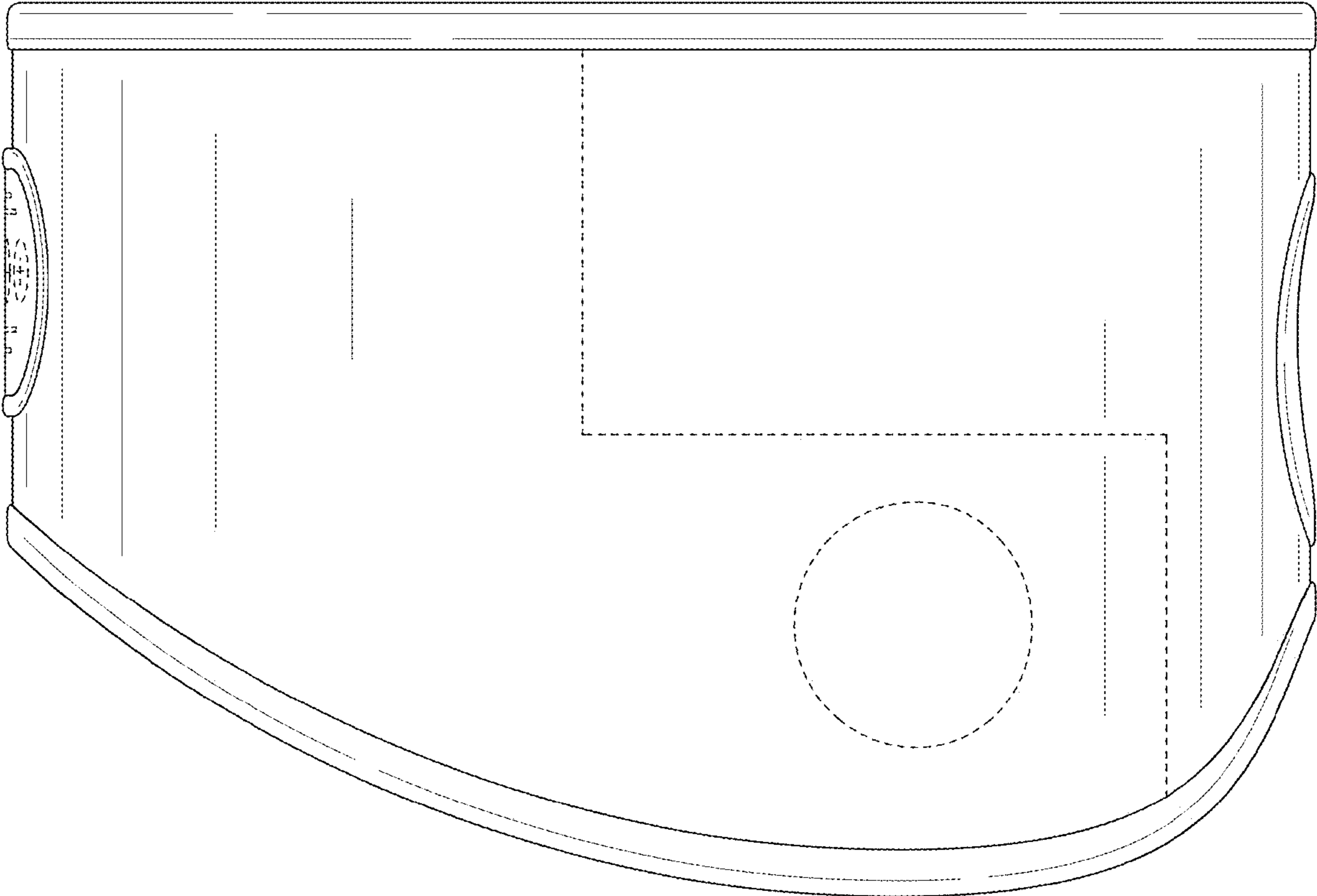


FIG. 14

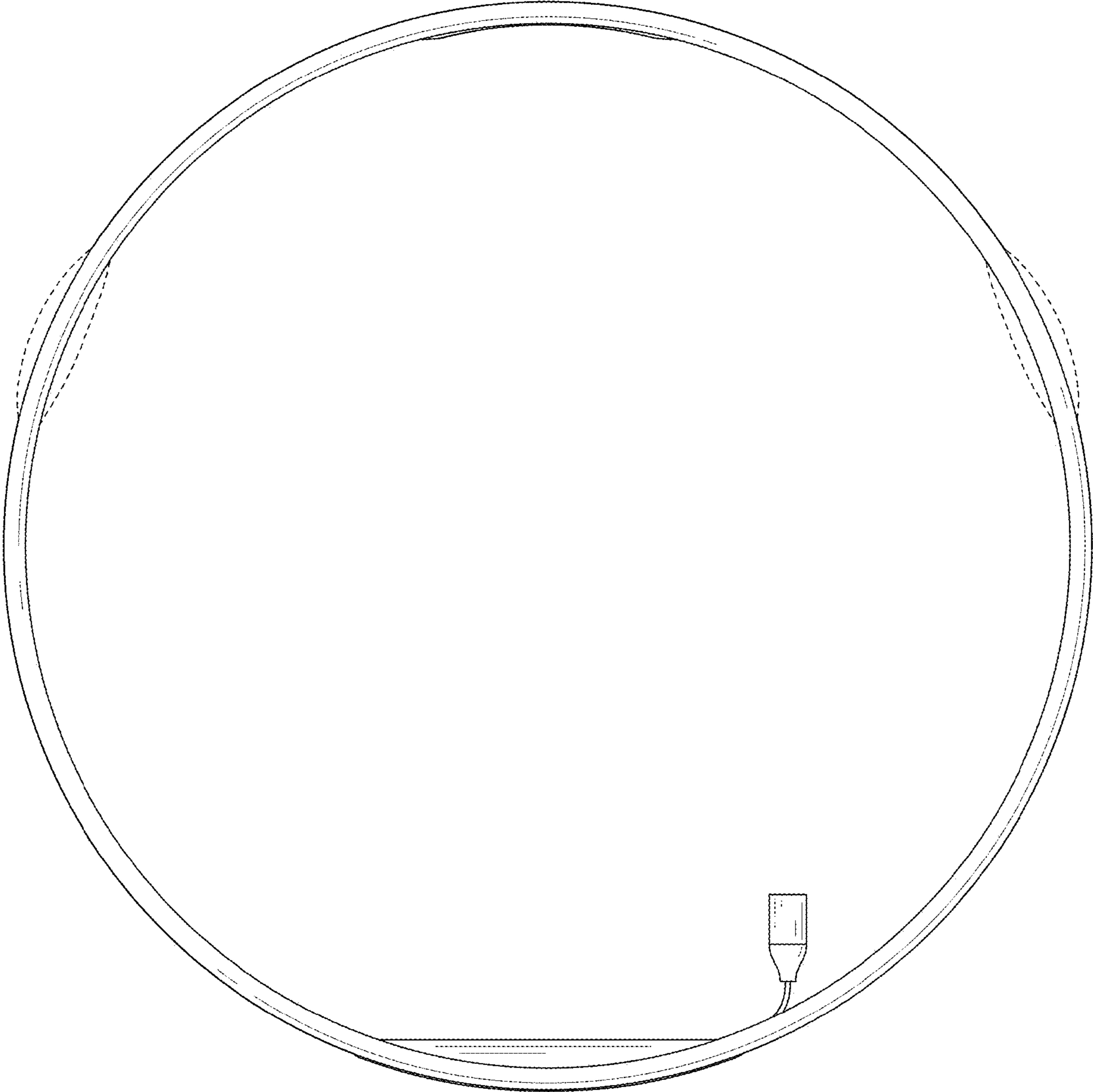


FIG. 15

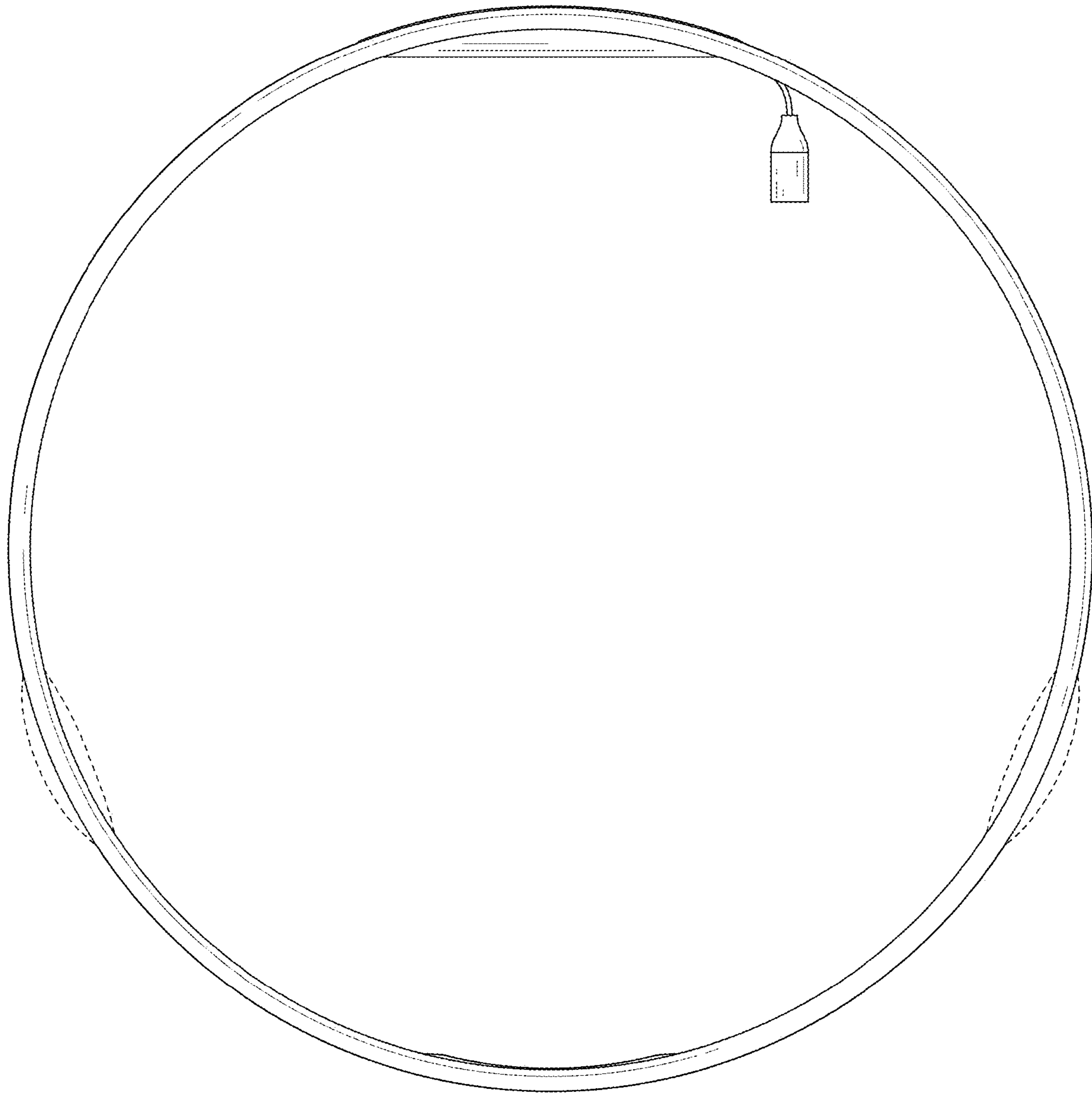


FIG. 16

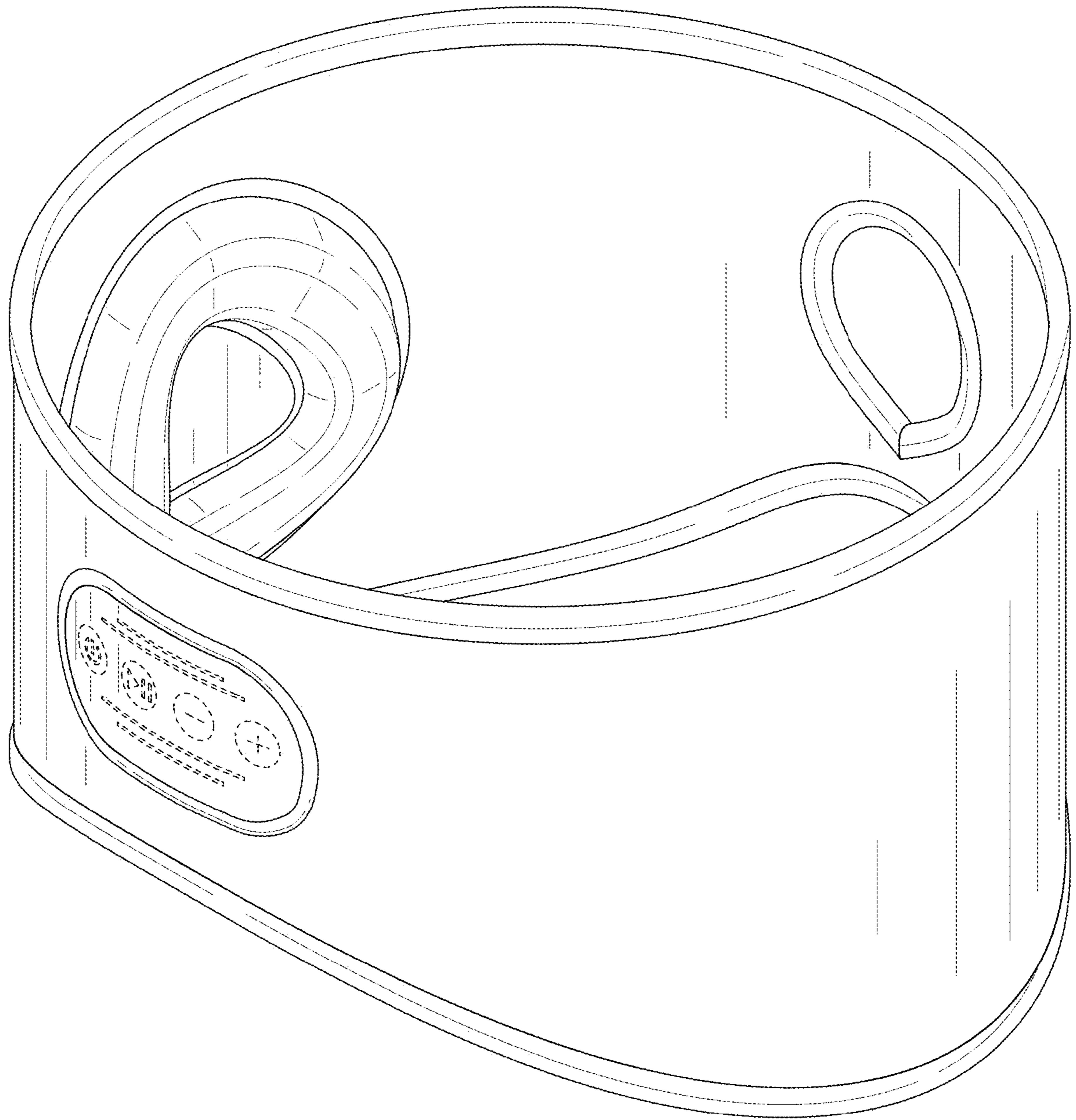


FIG. 17

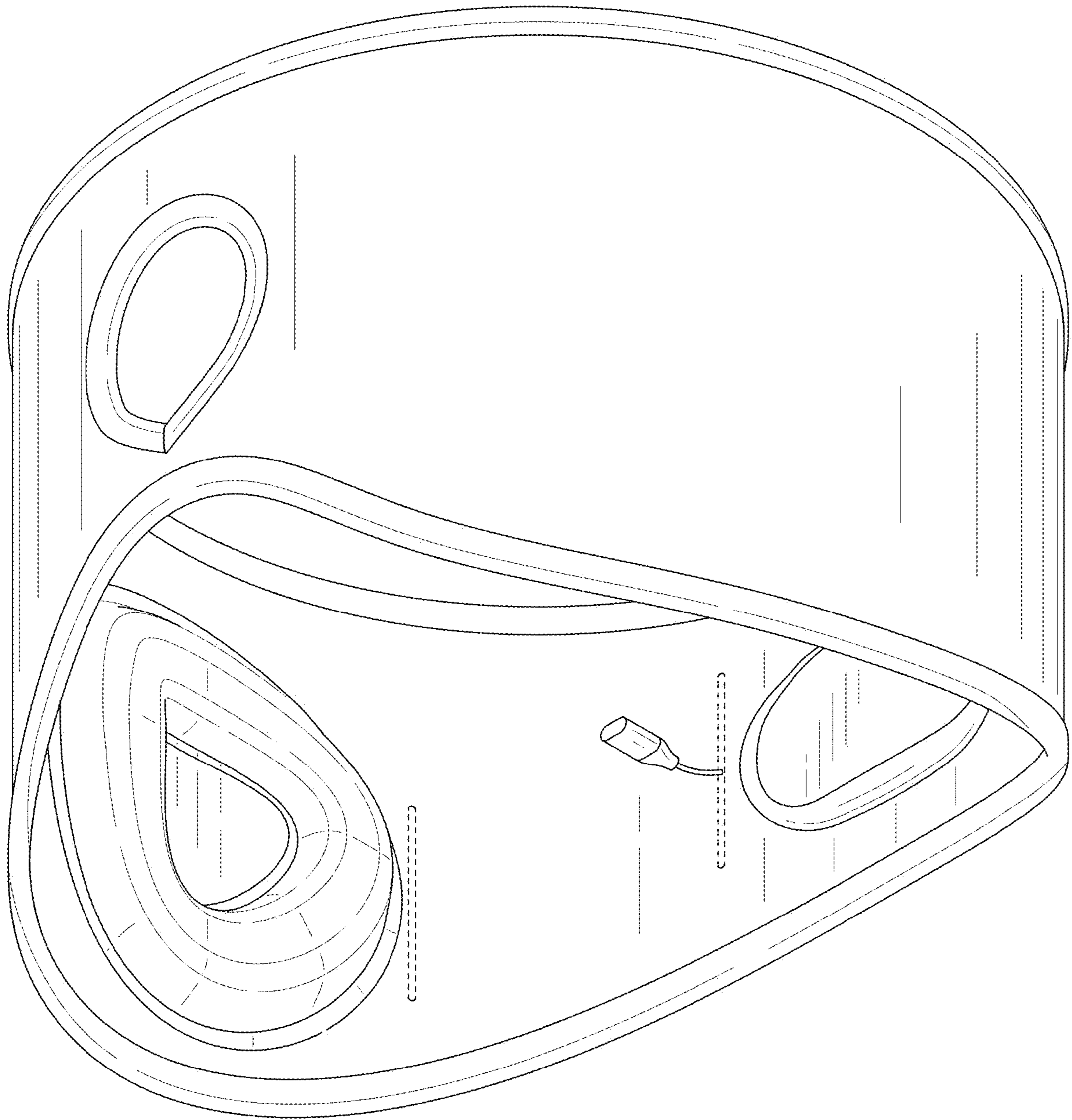


FIG. 18

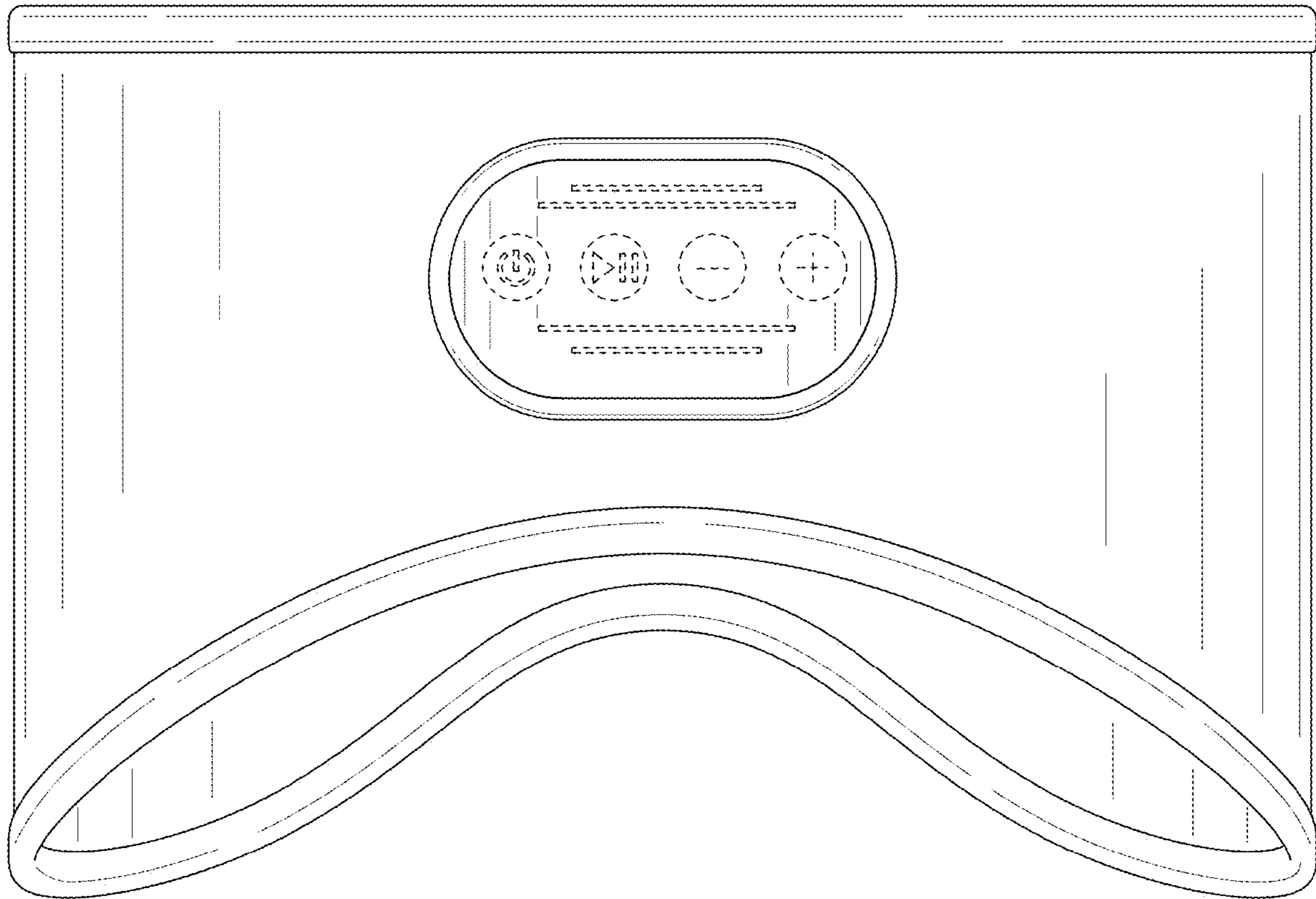


FIG. 19

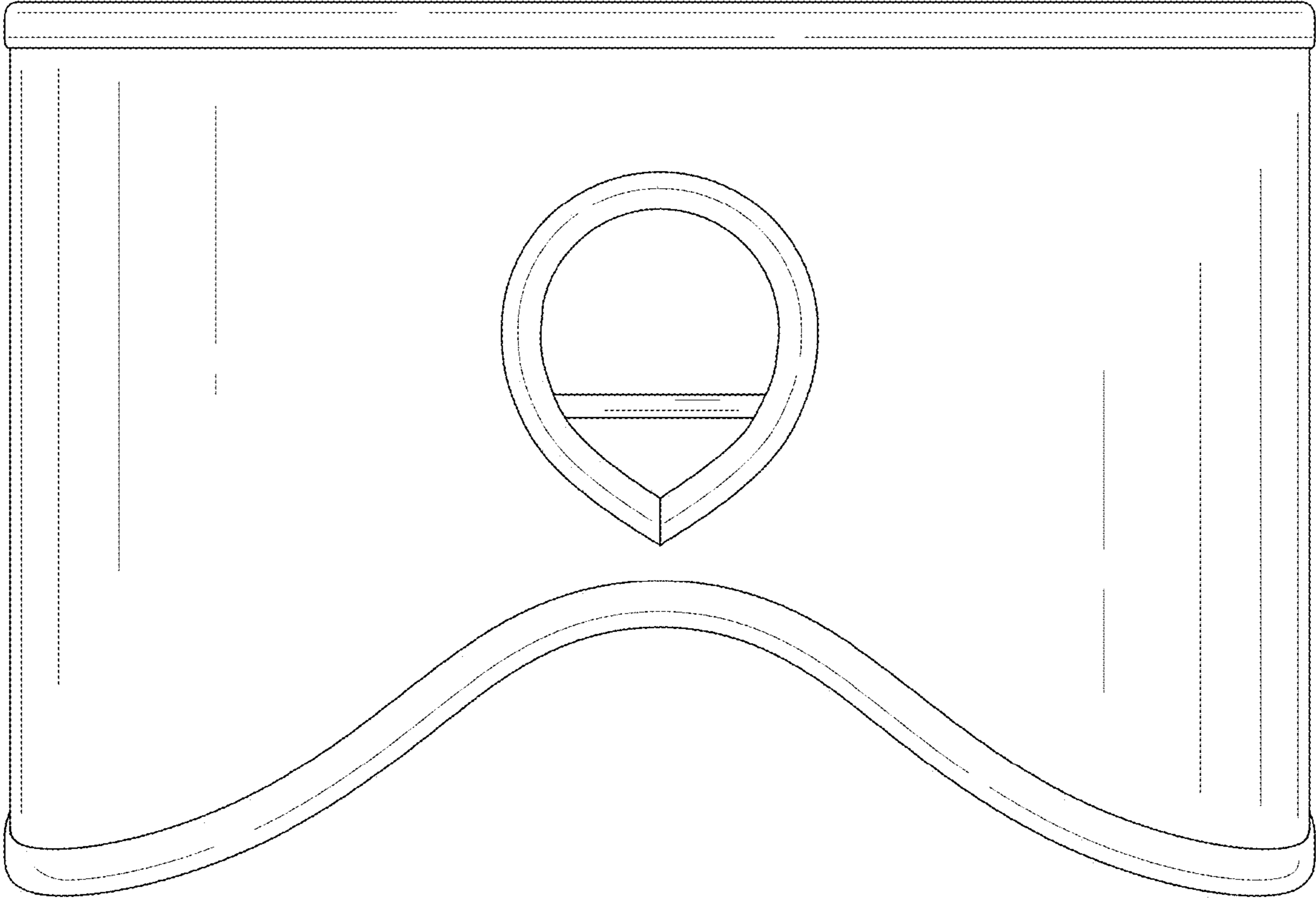


FIG. 20

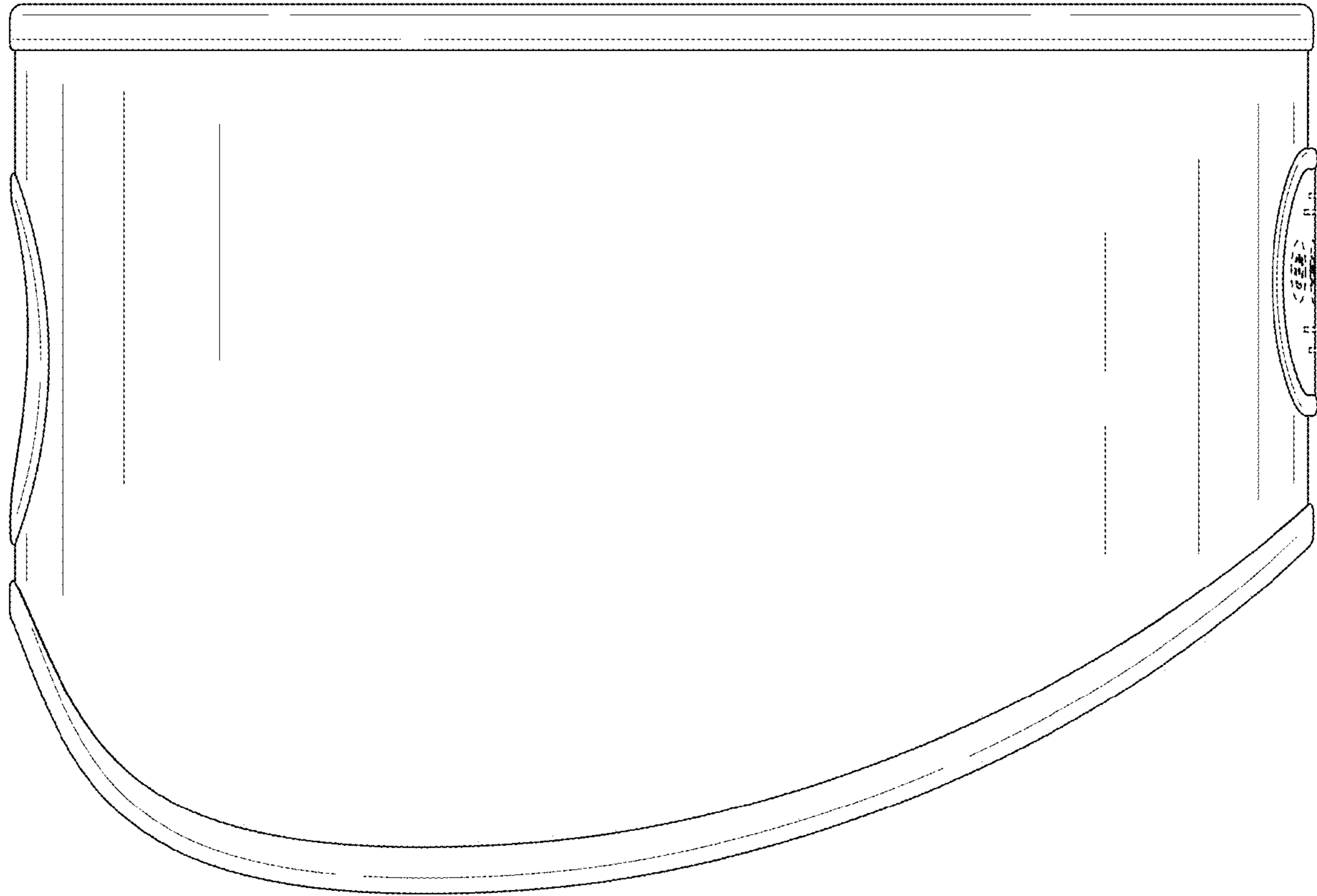


FIG. 21

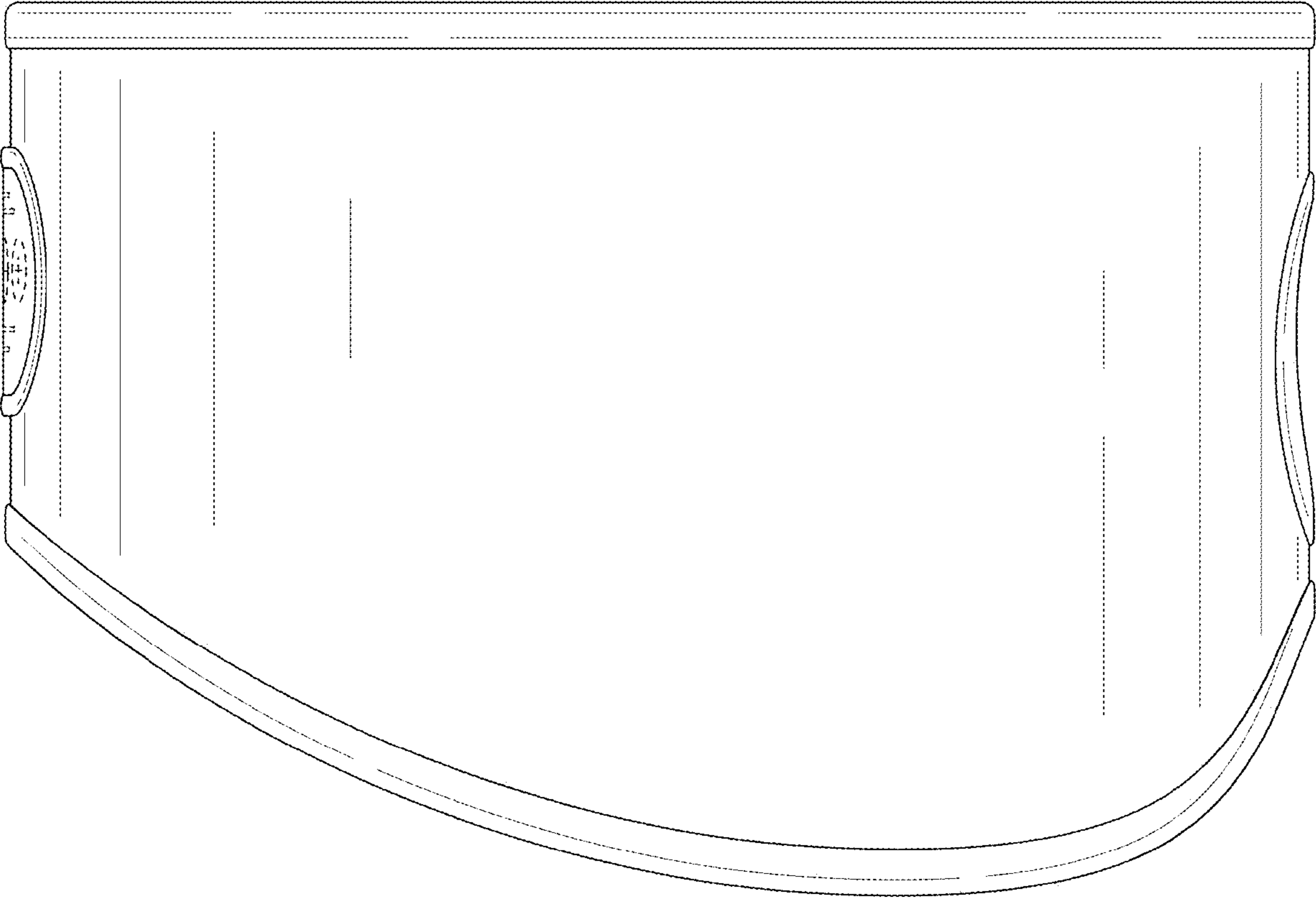


FIG. 22

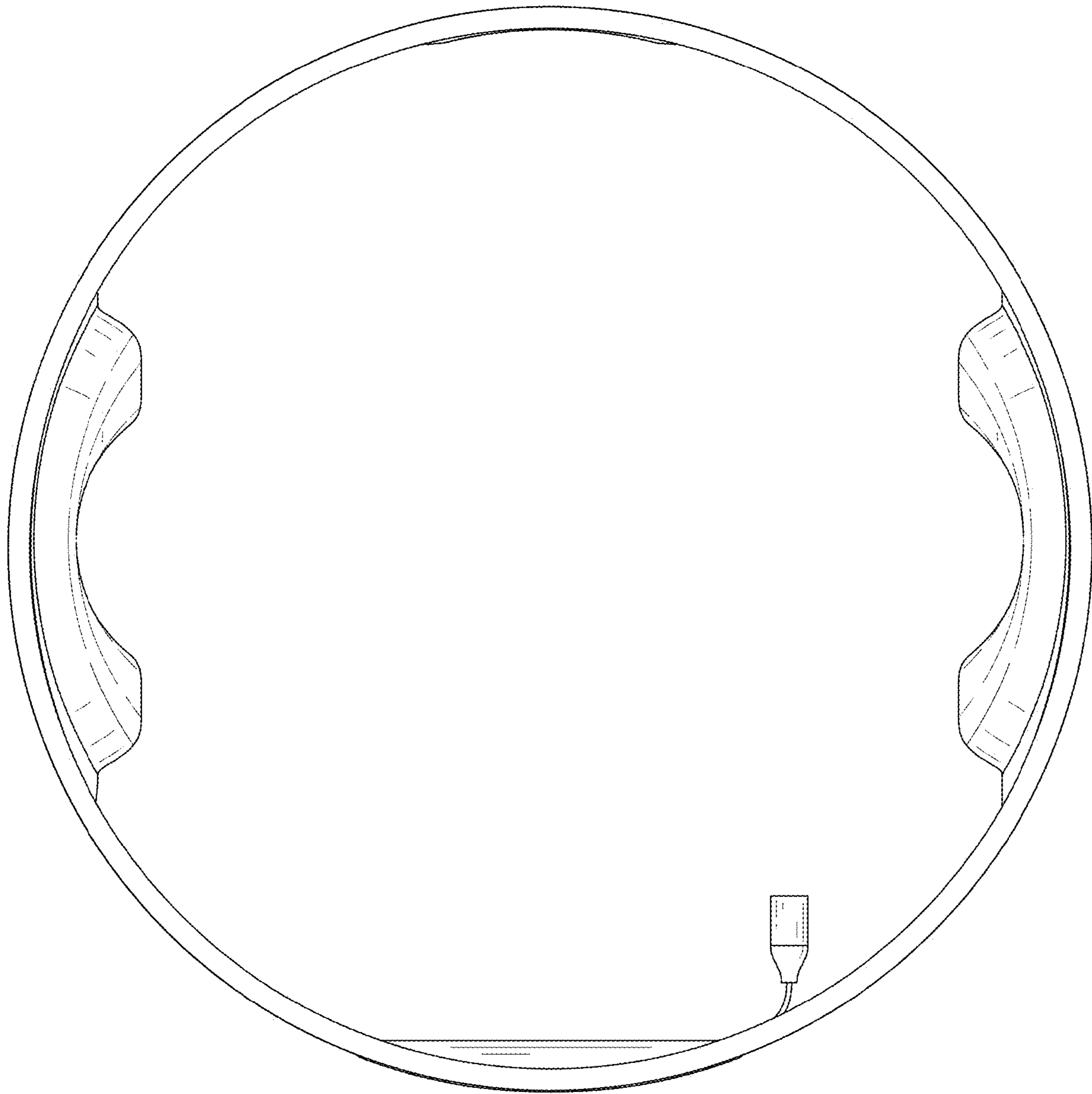


FIG. 23

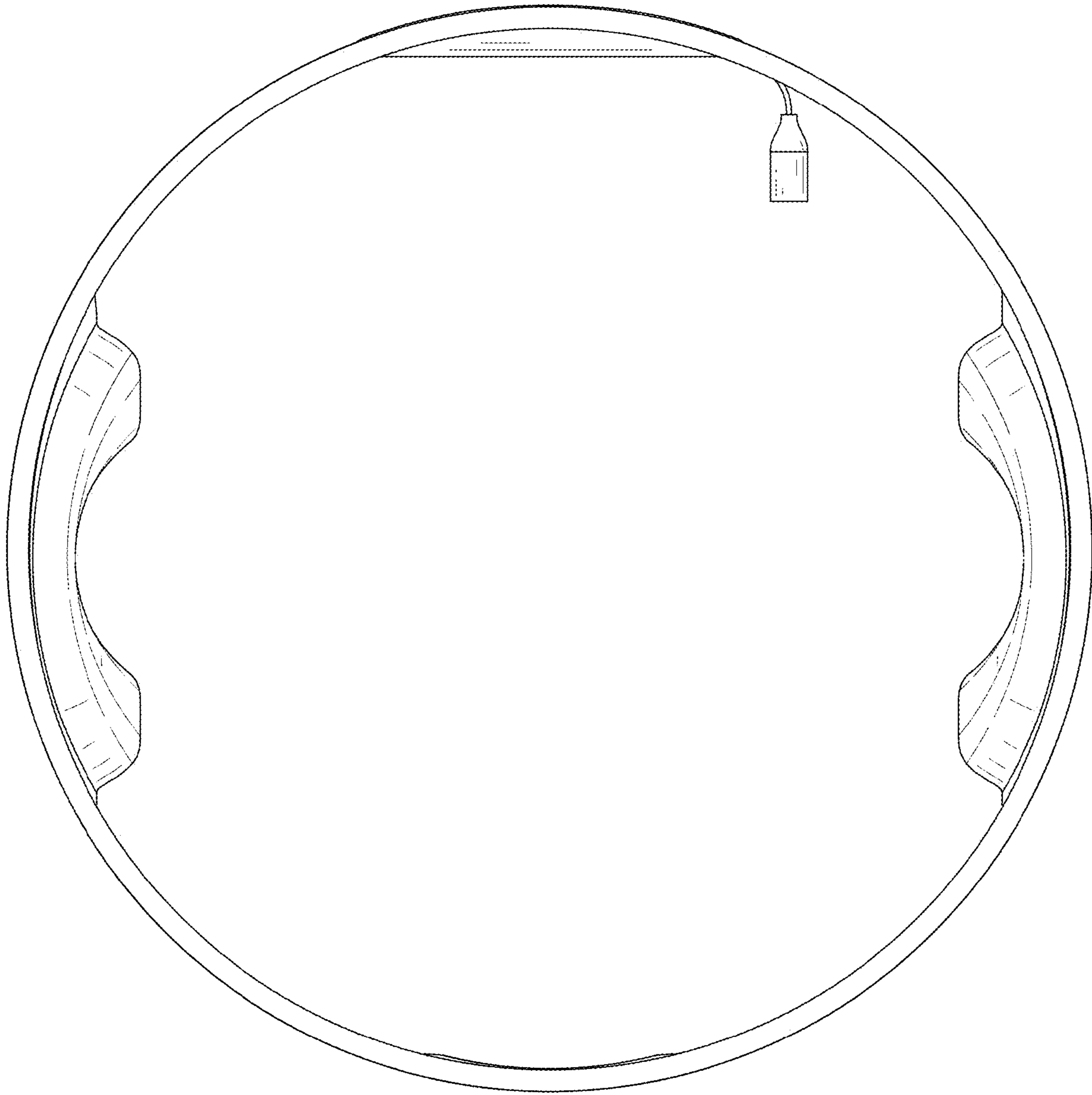


FIG. 24