



US00D970463S

(12) **United States Design Patent**
Deng et al.

(10) **Patent No.:** **US D970,463 S**

(45) **Date of Patent:** **** Nov. 22, 2022**

(54) **RECORDING PEN**

(71) Applicant: **Shenzhen Jiayz Photo Industrial, Ltd, Shenzhen (CN)**

(72) Inventors: **Gang Deng, Shenzhen (CN); Jinshu Hu, Shenzhen (CN)**

(**) Term: **15 Years**

(21) Appl. No.: **29/739,253**

(22) Filed: **Jun. 24, 2020**

(30) **Foreign Application Priority Data**

Dec. 27, 2019 (CN) 201930736018.1

(51) **LOC (13) Cl.** **14-01**

(52) **U.S. Cl.**
USPC **D14/167**

(58) **Field of Classification Search**

USPC D14/167, 154, 156, 158, 160, 161, 162,
D14/163, 164, 165, 168, 188, 496, 137,
D14/203.1, 203.7, 214, 247, 260, 225,
D14/226, 227, 228, 341, 342, 345, 346;
D10/78; D19/60, 62; D21/330;
D16/237, 246

CPC H04N 13/004; H04N 13/0055; H04N 5/85;
H04N 9/8227; H04N 19/597; H04N
19/61; H04N 21/42646; H04N 21/4325;
H04N 21/43622; H04N 1/234327; G11B
27/034; G11B 27/11; H04R 1/326; H04R
5/027

See application file for complete search history.

(56) **References Cited**

U.S. PATENT DOCUMENTS

D413,889 S * 9/1999 Nakano D14/167
D427,089 S * 6/2000 Maio D10/78
D436,941 S * 1/2001 Kataoka D14/165
D439,243 S * 3/2001 Miyazaki D14/137
D441,744 S * 5/2001 Miyazaki D14/137

D486,466 S * 2/2004 Tanaka D14/167
6,769,603 B2 * 8/2004 Nagai G11C 7/16
235/375
D500,020 S * 12/2004 Tanaka D14/196
D510,045 S * 9/2005 Lipscomb D10/78
D519,046 S * 4/2006 Lipscomb D10/78
D533,861 S * 12/2006 Amano D14/167
D533,862 S * 12/2006 Jinde D14/167
D542,262 S * 5/2007 Oka D14/167
D545,305 S * 6/2007 Mulcahy D14/346
D558,183 S * 12/2007 Aoki D14/167
D567,798 S * 4/2008 Oka D14/167
D571,778 S * 6/2008 Aoki D14/167
D578,994 S * 10/2008 Oka D14/167
D580,908 S * 11/2008 Nakamura D14/167
D581,898 S * 12/2008 Oka D14/167

(Continued)

OTHER PUBLICATIONS

Portable Digital Recorders Buying Guide. (online) 10 pgs. Dec. 8, 2015. [Retrieved Apr. 15, 2022] https://www.bhphotovideo.com/explora/pro-audio/buying-guide/portable-digital-recorders-buying-guide.*

Primary Examiner — Marie D. Fast Horse

(57) **CLAIM**

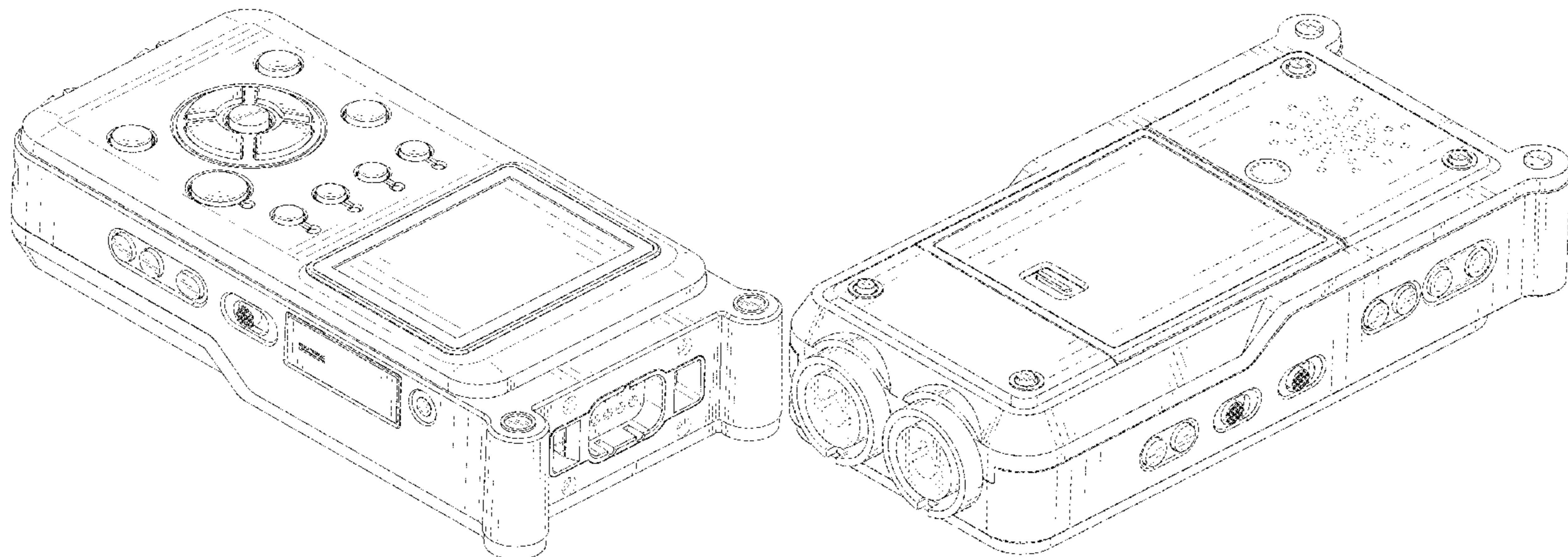
The ornamental design for a recording pen, as shown and described.

DESCRIPTION

FIG. 1 is a front and top perspective view of a recording pen, showing our new design;
FIG. 2 is a rear and bottom perspective view thereof;
FIG. 3 is a front elevational view thereof;
FIG. 4 is a rear elevational view thereof;
FIG. 5 is a left side elevational view thereof;
FIG. 6 is a right side elevational view thereof;
FIG. 7 is a top plan view thereof; and,
FIG. 8 is a bottom plan view thereof.

The broken lines in the figures illustrate portions of the article that form no part of the claimed design.

1 Claim, 8 Drawing Sheets



(56)

References Cited

U.S. PATENT DOCUMENTS

D583,797 S * 12/2008 Obata D14/167
 D592,178 S * 5/2009 Naito D14/167
 D596,155 S * 7/2009 Sakai D14/167
 D601,120 S * 9/2009 Aoki D14/167
 D607,433 S * 1/2010 Drori D24/186
 D608,338 S * 1/2010 Myojo D14/167
 D609,688 S * 2/2010 Obata D14/167
 D609,689 S * 2/2010 Obata D14/167
 D611,925 S * 3/2010 Miyazaki D14/167
 D623,166 S * 9/2010 Oka D14/167
 D634,727 S * 3/2011 Wakabayashi D14/167
 D635,121 S * 3/2011 Takahashi D14/167
 D635,122 S * 3/2011 Sakai D14/167
 D635,544 S * 4/2011 Nohara D14/167
 D640,228 S * 6/2011 Sakai D14/167
 D640,229 S * 6/2011 Sakai D14/167
 D640,230 S * 6/2011 Sakai D14/167
 D645,838 S * 9/2011 Hayashi D14/167
 D647,077 S * 10/2011 Hayashi D14/167
 D649,524 S * 11/2011 Miyazaki D14/167
 D649,955 S * 12/2011 Kumagai D14/167
 D658,150 S * 4/2012 Miyazaki D14/167

D664,112 S * 7/2012 Fukuoka D14/167
 8,229,133 B2 * 7/2012 Matsui H04R 1/326
 381/365
 D665,768 S * 8/2012 Kumagai D14/167
 D665,769 S * 8/2012 Hayashi D14/167
 D665,770 S * 8/2012 Osada D14/167
 D665,771 S * 8/2012 Osada D14/167
 D669,880 S * 10/2012 Okura D14/167
 D674,370 S * 1/2013 Ohta D14/167
 D683,714 S * 6/2013 Ito D14/167
 D688,226 S * 8/2013 Morisawa D14/167
 D710,817 S * 8/2014 Ushio D14/167
 D718,735 S * 12/2014 Lockenwitz D14/155
 D768,106 S * 10/2016 Tajima D14/167
 D768,107 S * 10/2016 Tajima D14/167
 D805,052 S * 12/2017 Suzuki D14/167
 D937,801 S * 12/2021 Deng D14/167
 2009/0185697 A1 * 7/2009 Matsui H04R 1/326
 381/122
 2009/0222120 A1 * 9/2009 Lapstun H04N 21/4223
 700/94
 2010/0008511 A1 * 1/2010 Kawano H04R 5/027
 381/26

* cited by examiner

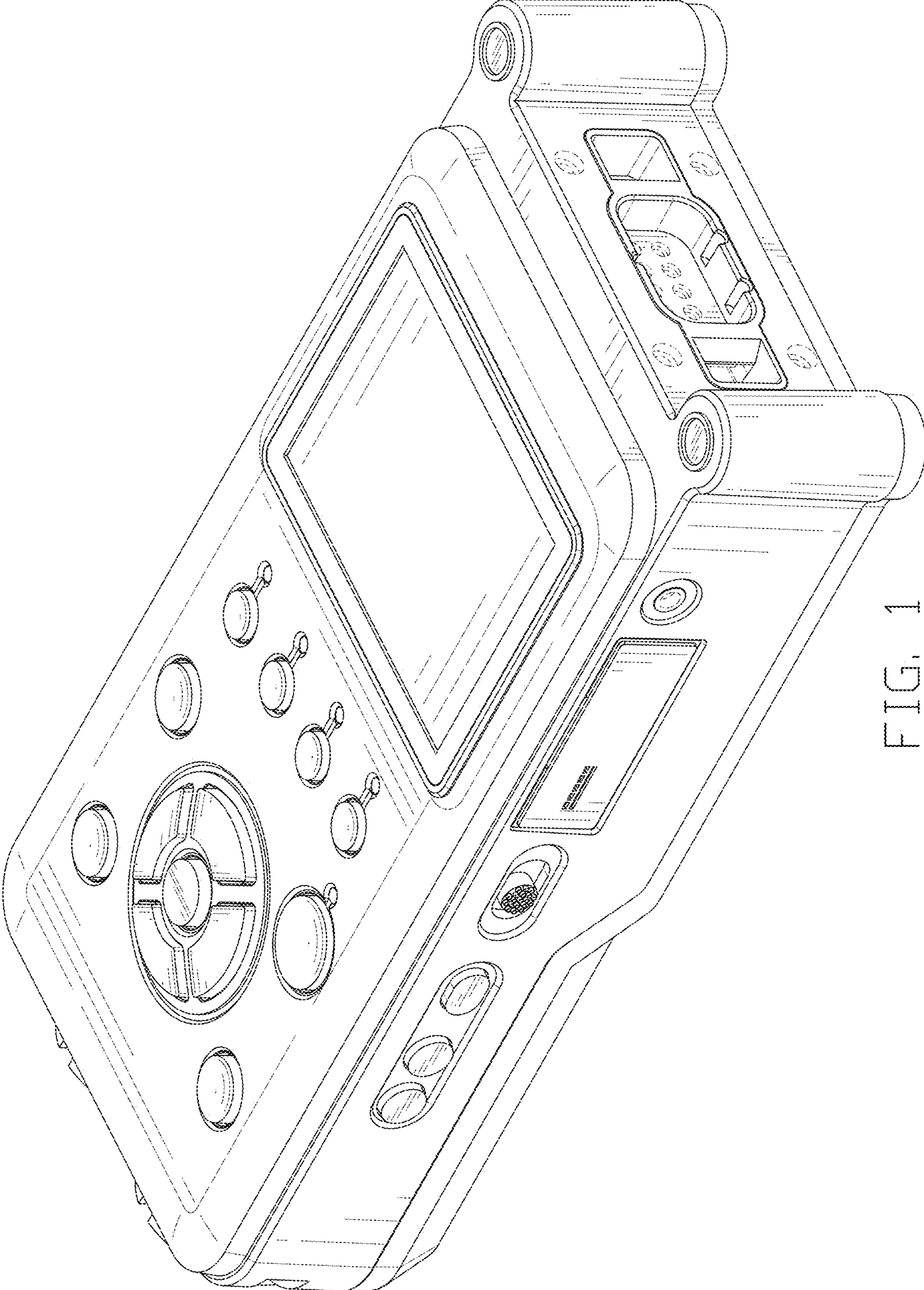


FIG. 1

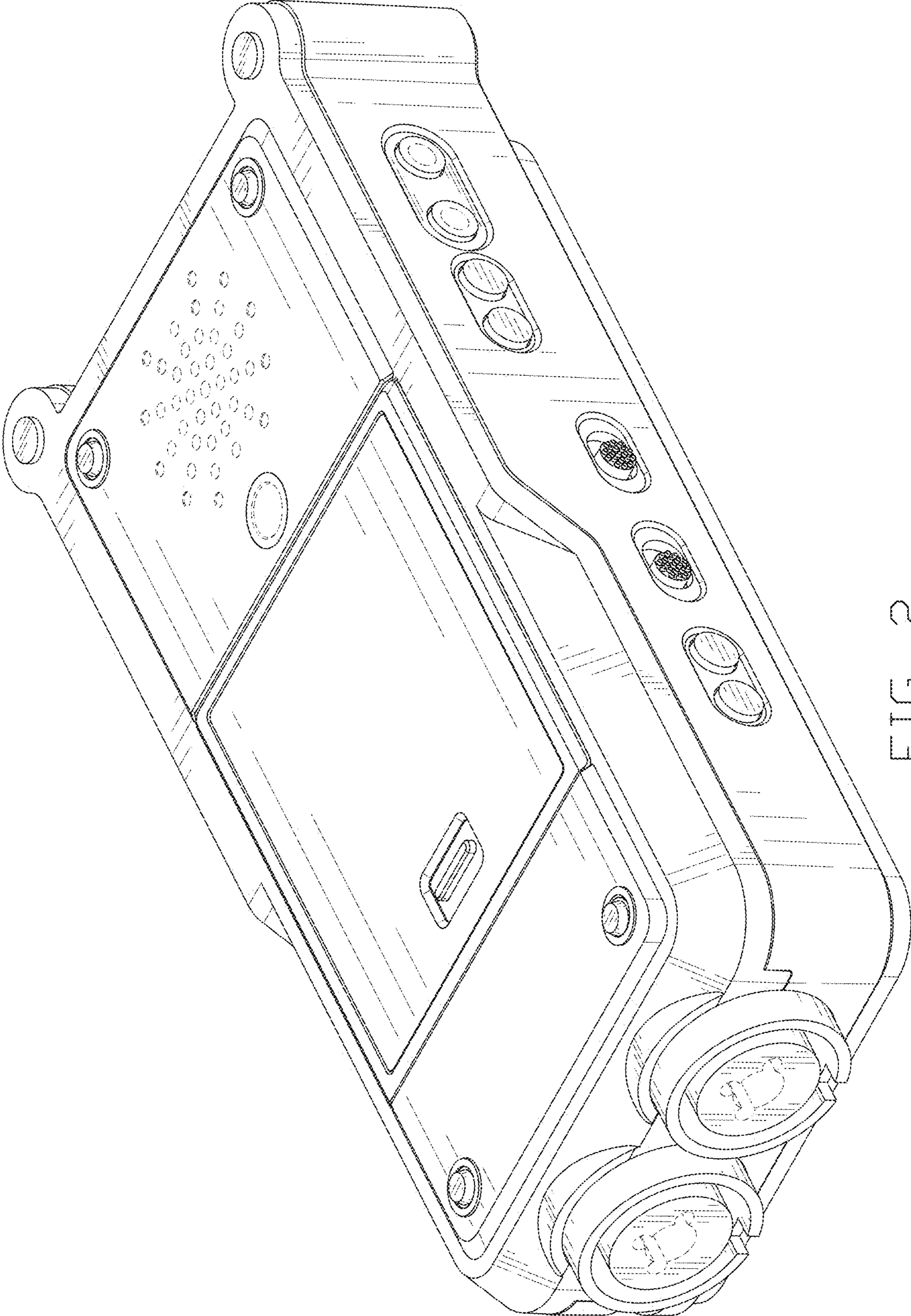


FIG. 2

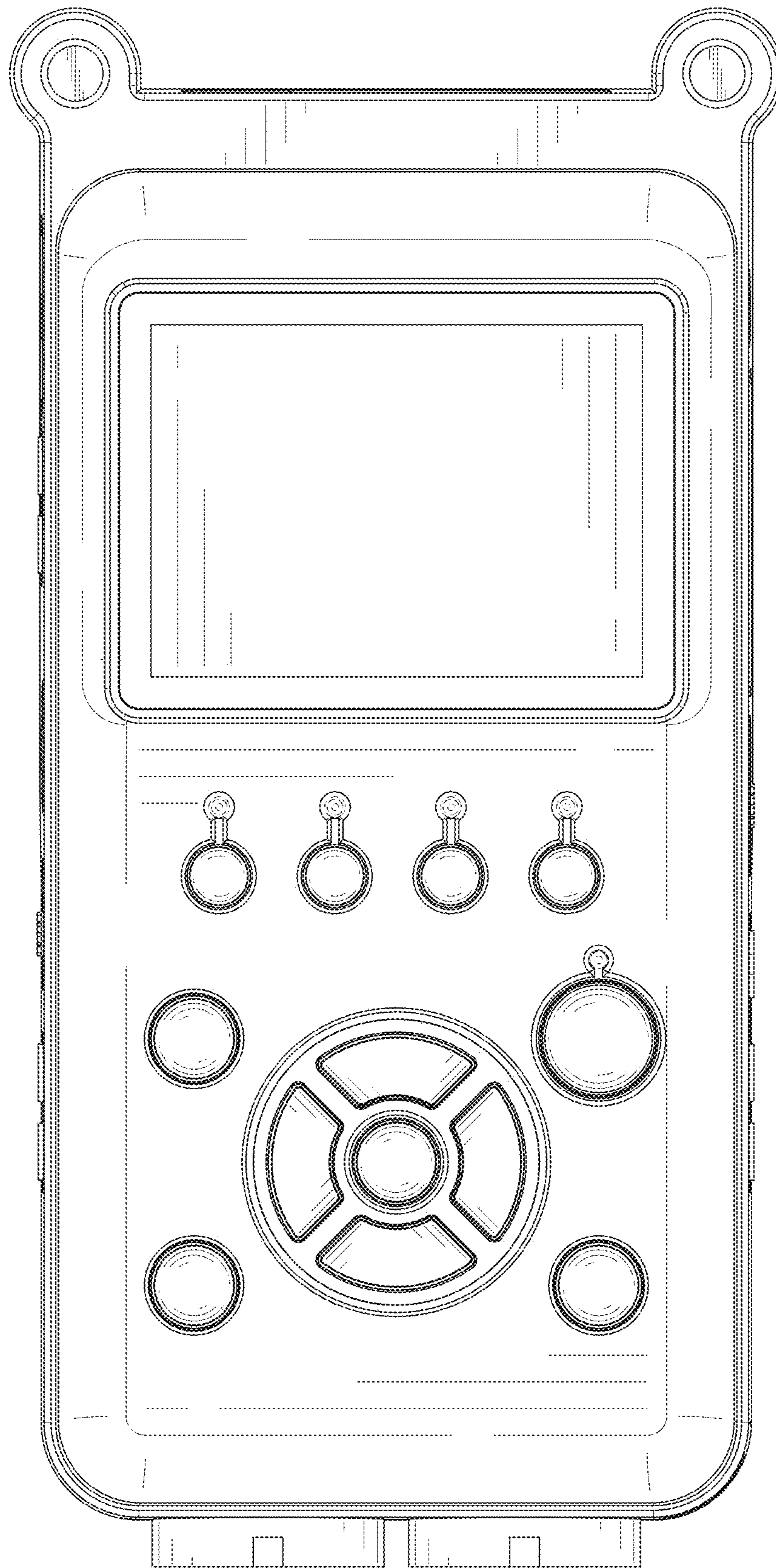


FIG. 3

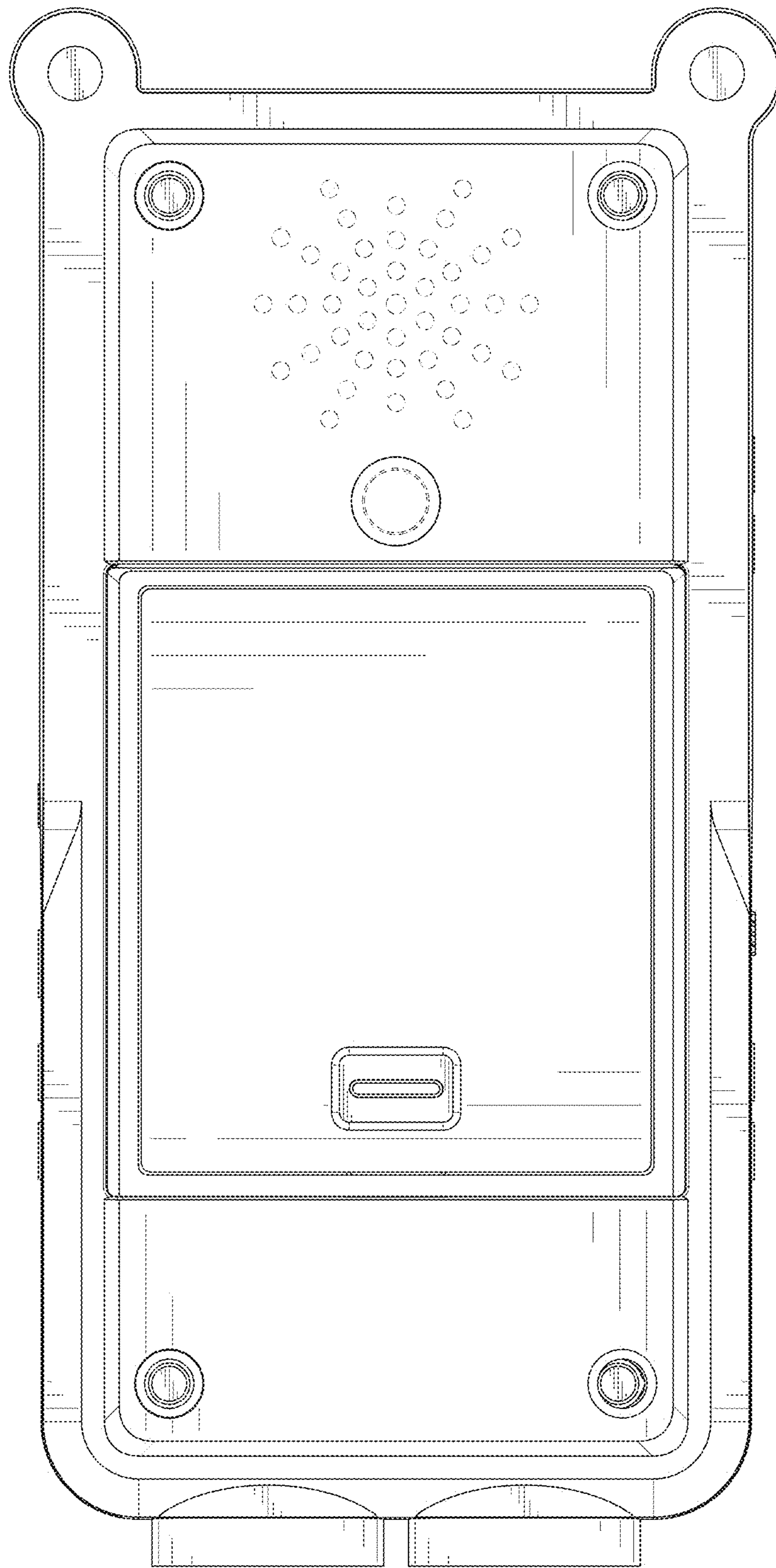


FIG. 4

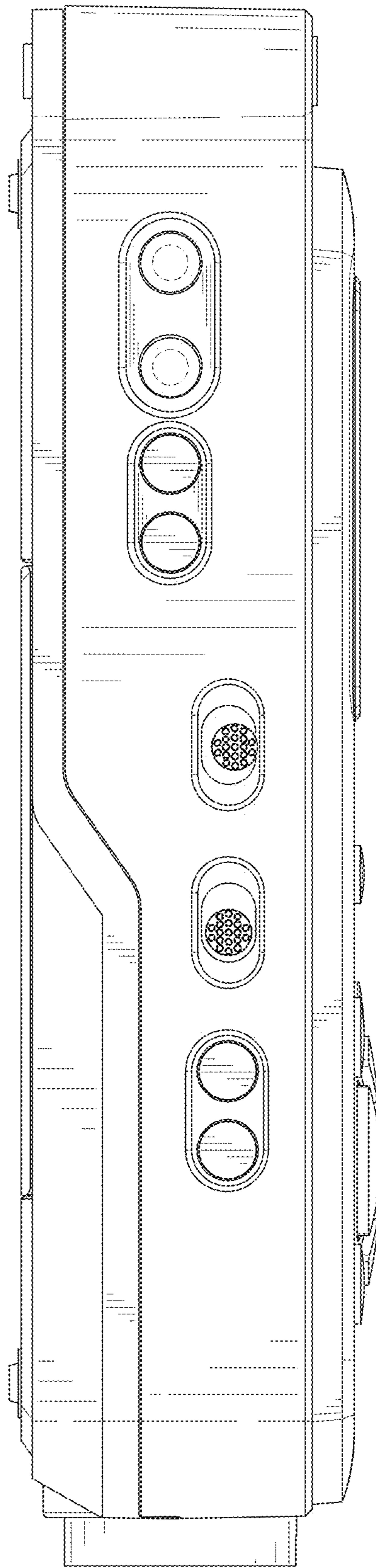


FIG. 5

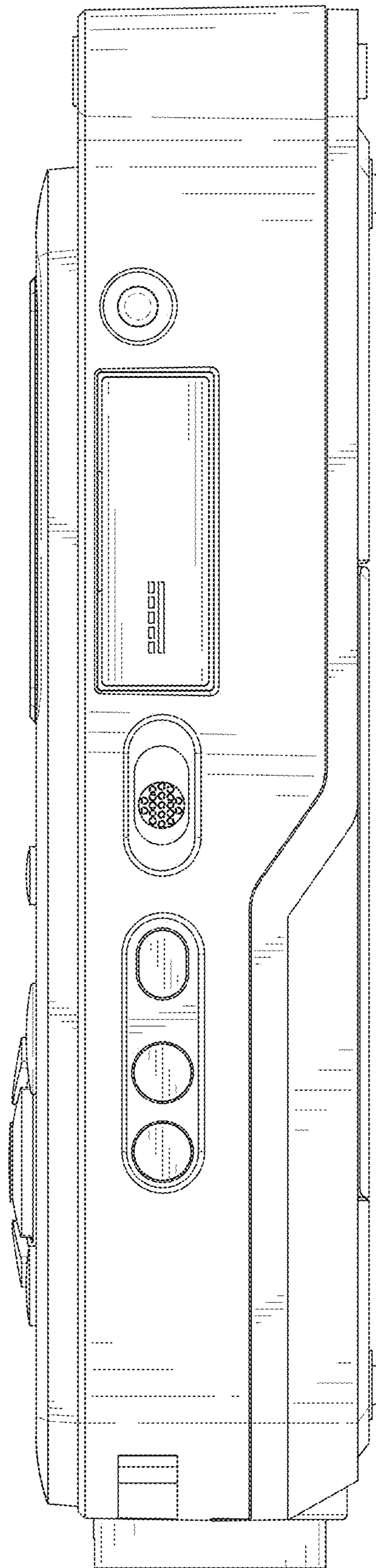


FIG. 6

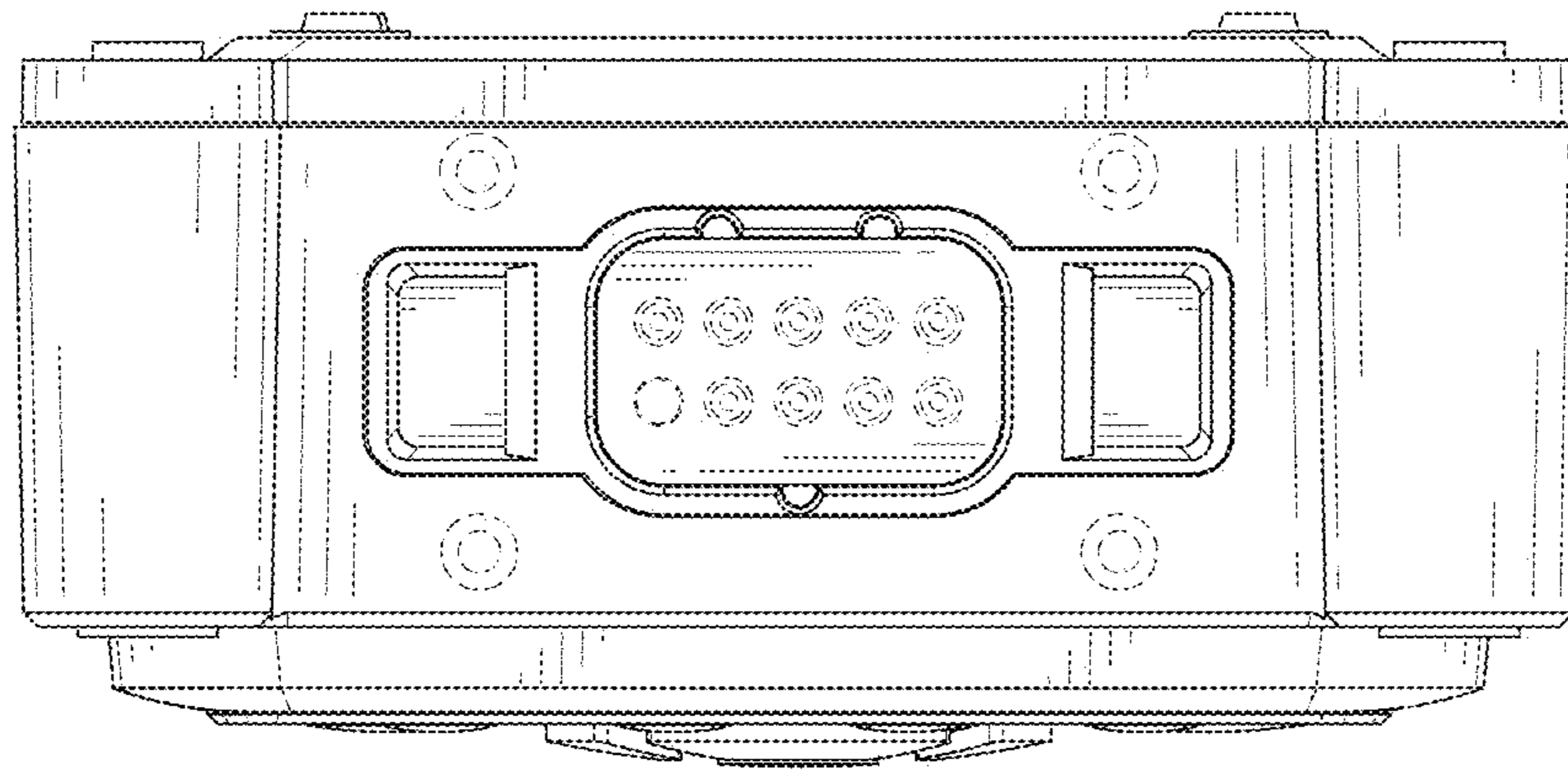


FIG. 7

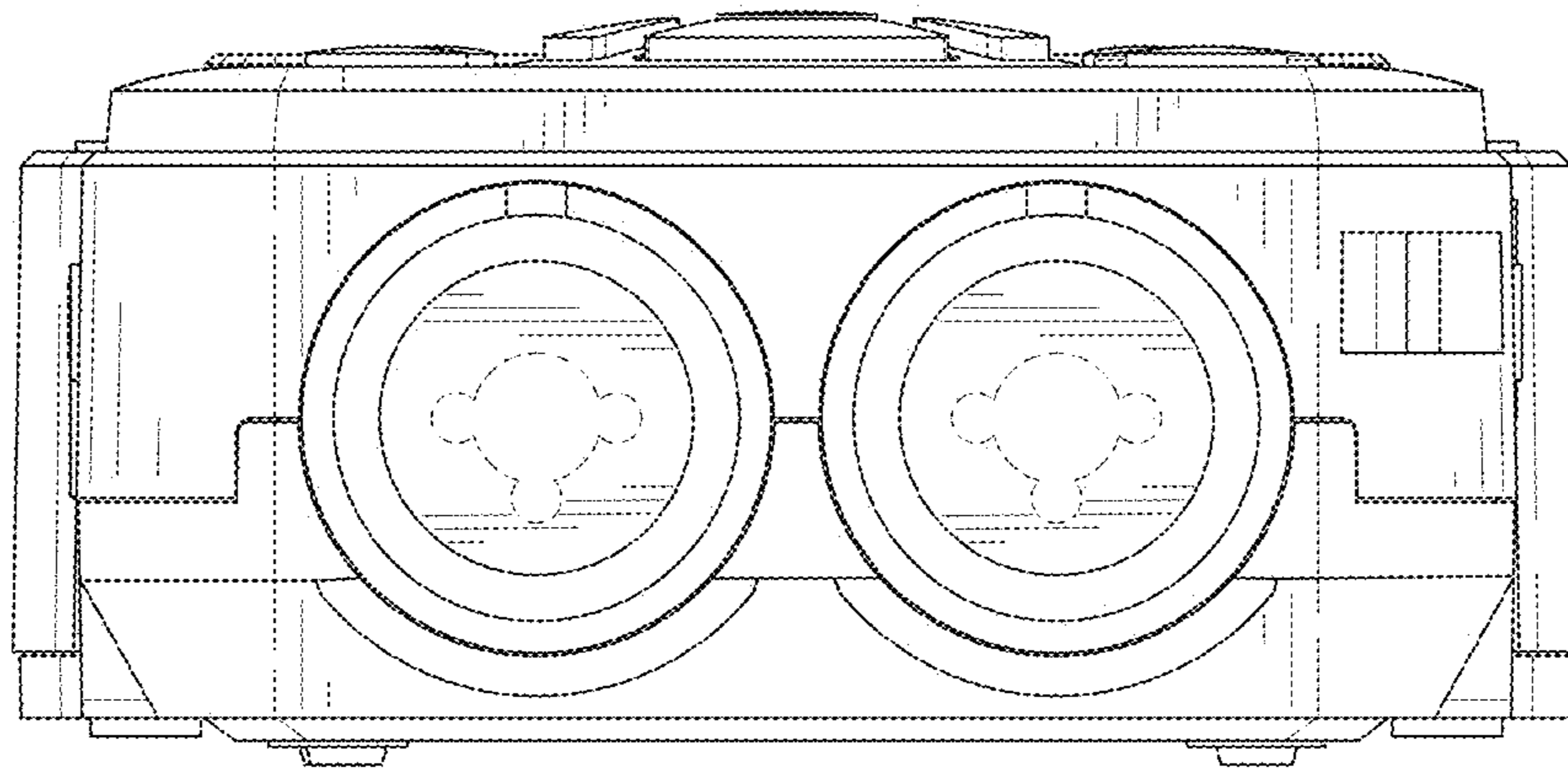


FIG. 8