



US00D970462S

(12) **United States Design Patent**
Wang et al.

(10) **Patent No.:** **US D970,462 S**
(45) **Date of Patent:** **** Nov. 22, 2022**

(54) **DESK PHONE EXPANSION MODULE**

(71) Applicant: **Plantronics, Inc.**, Santa Cruz, CA (US)

(72) Inventors: **Bowman Wang**, Corralitos, CA (US);
George Janour, Santa Cruz, CA (US)

(73) Assignee: **PLANTRONICS, INC.**, Santa Cruz,
CA (US)

(**) Term: **15 Years**

(21) Appl. No.: **29/740,381**

(22) Filed: **Jul. 2, 2020**

(51) **LOC (13) Cl.** **14-03**

(52) **U.S. Cl.**
USPC **D14/140.8**

(58) **Field of Classification Search**

USPC ... D14/140, 140.1, 140.7, 140.8, 141.2, 142,
D14/144, 147, 148, 149, 150, 151, 158,
(Continued)

(56) **References Cited**

U.S. PATENT DOCUMENTS

D277,476 S * 2/1985 Foggia D14/140.8
D340,057 S * 10/1993 Wetzel D14/140.9
(Continued)

OTHER PUBLICATIONS

Cisco_IP_Phone_8800-V_Video_Key_Expansion_Module.(online)
3 pgs. Available Nov. 1, 2018 [retrieved Sep. 9, 2022] https://www.amazon.com/Cisco-Phone-8800-Expansion-Module/dp/B07H3G66WZ/ref=cm_cr_ar_p_d_product_top?ie=UTF8.*
(Continued)

Primary Examiner — Marie D. Fast Horse

(57) **CLAIM**

The ornamental design for a desk phone expansion module,
as shown and described.

DESCRIPTION

This application is filed concurrently with the U.S. design
application Ser. No. 29/738,375 and entitled “Desk Phone

and Portion(s) Thereof” by Bowman WANG et al., which is
herein incorporated by reference in its entirety.

This application is filed concurrently with the U.S. design
application Ser. No. 29/738,376 and entitled “Desk Phone
and Portion(s) Thereof” by Bowman WANG et al., which is
herein incorporated by reference in its entirety.

This application is filed concurrently with the U.S. design
application Ser. No. 29/738,377 and entitled “Desk Phone
and Portion(s) Thereof” by Bowman WANG et al., which is
herein incorporated by reference in its entirety.

FIG. 1 is a front-left perspective view of a first embodiment
of a desk phone expansion module, showing our new design;
FIG. 2 is a top-right-back perspective view thereof;

FIG. 3 is a bottom view thereof;

FIG. 4 is a top view thereof;

FIG. 5 is a left-side view thereof;

FIG. 6 is a right-side view thereof;

FIG. 7 is a front view thereof;

FIG. 8 is a back view thereof;

FIG. 9 is a front-right view thereof in an in-use position,
being connected to a desk phone depicted in broken lines;

FIG. 10 is a front-left perspective view of a portion of a desk
phone expansion module, showing a second embodiment of
our new design in which the screen and buttons visible from
the top view of the desk phone expansion module are
depicted in broken lines;

FIG. 11 is a top-right-back perspective view thereof;

FIG. 12 is a bottom view thereof;

FIG. 13 is a top view thereof;

FIG. 14 is a left-side view thereof;

FIG. 15 is a right-side view thereof;

FIG. 16 is a front view thereof;

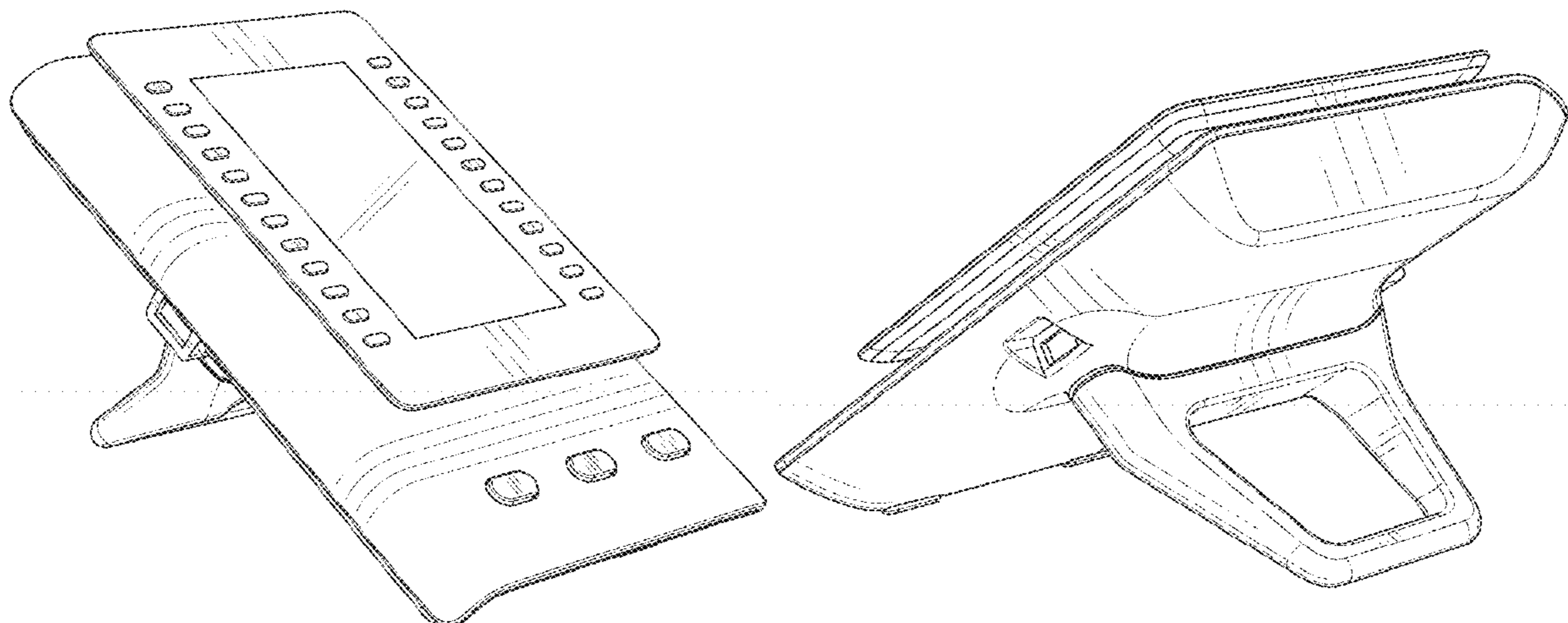
FIG. 17 is a back view thereof; and,

FIG. 18 is a front-right view thereof in an in-use position,
being connected to a desk phone depicted in broken lines.

The broken lines in FIGS. 9 and 18 showing the connected
desk phone depict environmental subject matter only and
form no part of the claim, while all other broken lines depict
portions of the desk phone expansion module that form no
part of the claimed design.

The thin, black lines shown in long dashes with intermittent
breaks are shading and/or tangent lines to show contour of

(Continued)



the surfaces or curved edges of a desk phone expansion module, and do not actually appear on the surface of the device.

1 Claim, 18 Drawing Sheets

(58) Field of Classification Search

USPC D14/159, 188, 217, 240, 243, 247, 248,
D14/251, 299, 329, 330, 338, 130, 462,
D14/467, 471, 140.9; D21/517
CPC H04M 1/00; H04M 1/003; H04M 1/02;
H04M 1/0289; H04M 1/0297; H04M
1/0214; H04M 1/03; H04M 1/23; H04M
1/253; H04M 1/2535; H04M 7/006

See application file for complete search history.

(56) References Cited

U.S. PATENT DOCUMENTS

D355,187 S * 2/1995 Danielson D14/141.1
D374,674 S * 10/1996 Elkins D14/140.9

D387,063 S * 12/1997 Hillenmayer D14/140.9
D388,102 S * 12/1997 Yoneyama D14/140.8
D417,222 S * 11/1999 Johnson D14/140.9
D428,000 S * 7/2000 Takayama D14/140.9
D472,236 S * 3/2003 Schramm D14/144
D482,679 S * 11/2003 Hillenmayer D14/140.9
D573,974 S * 7/2008 Liu D14/140.8
D583,353 S * 12/2008 Brown D14/140.8
7,500,880 B1 * 3/2009 Vaziri H04M 1/0289
439/717
D591,276 S * 4/2009 Takada D14/240
D634,295 S * 3/2011 Turnbull D14/140.8
D723,501 S * 3/2015 Jeon D14/140.8
D789,319 S * 6/2017 Schwarz D14/140.9
D789,320 S * 6/2017 Schwarz D14/140.9
D853,346 S * 7/2019 Jang D14/140.8
2003/0190022 A1 * 10/2003 Lee H04L 12/66
379/102.02

OTHER PUBLICATIONS

High-Performance LCD Expansion Module. Yeakink. (online pdf)
3 pgs. chrome-extension://efaidnbmnnnibpcajpcglclefindmkaj/http://
assets.twacomm.com/assets/pdf/47281.pdf.*

* cited by examiner

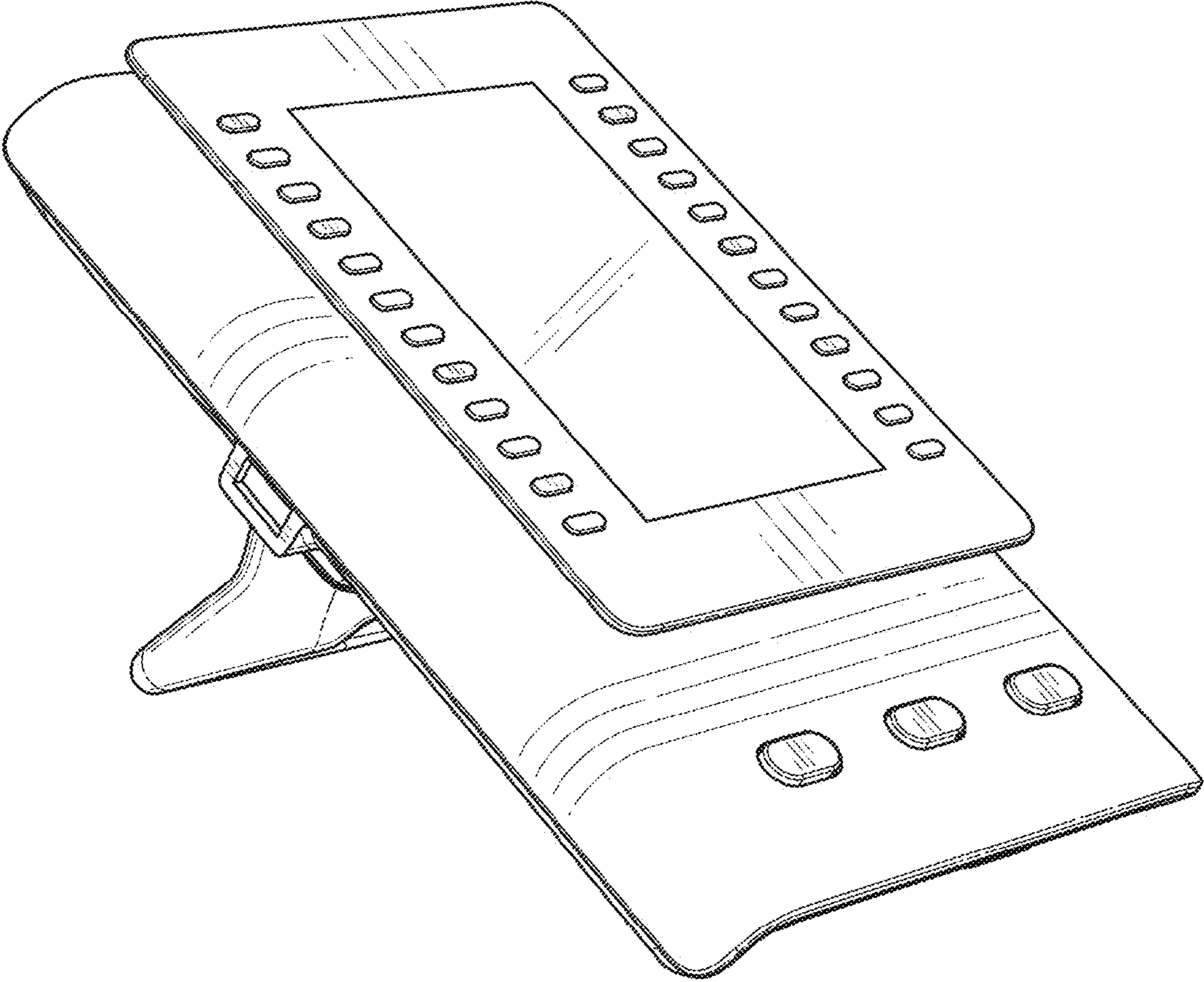


FIG. 1

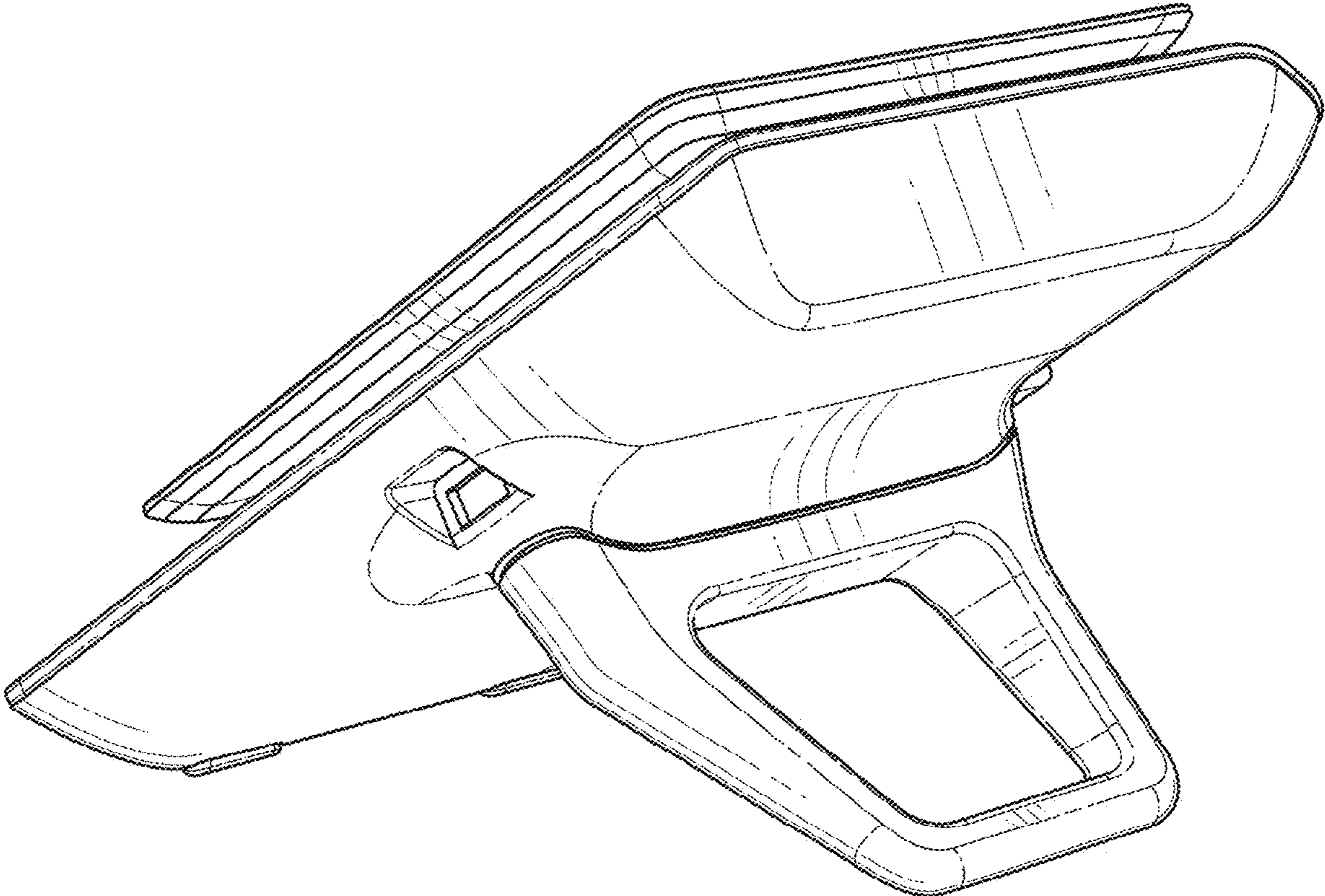


FIG. 2

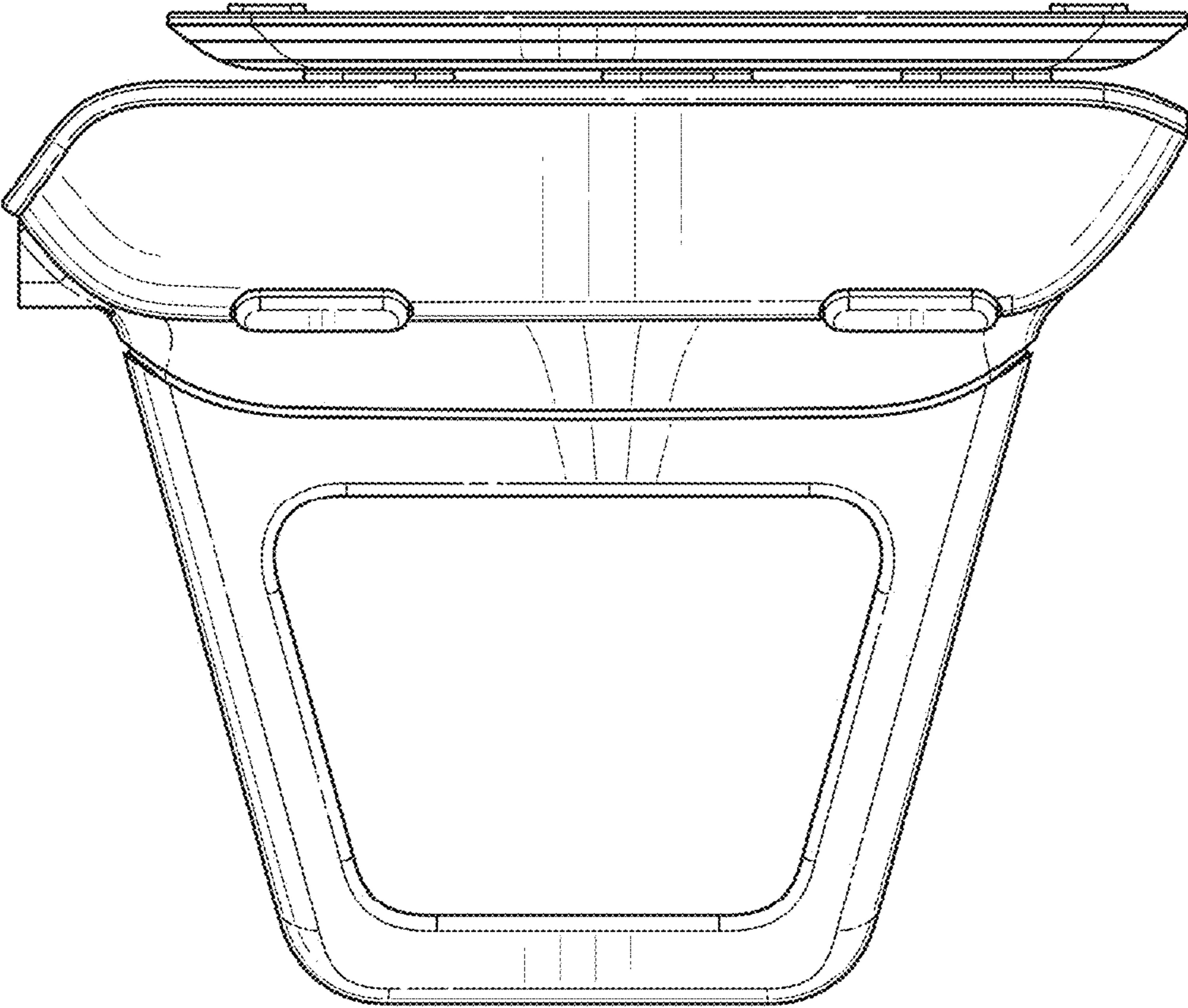


FIG. 3

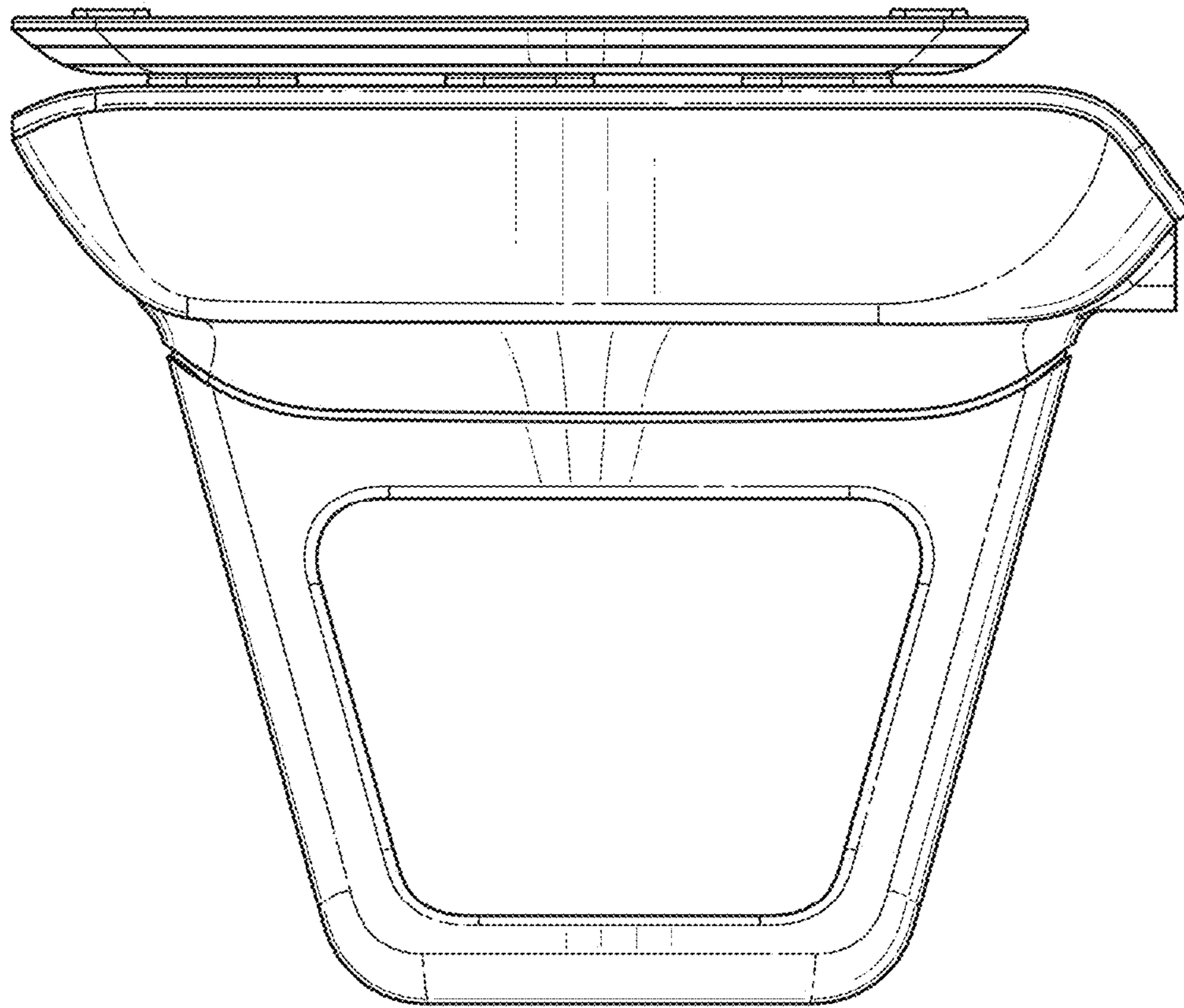


FIG. 4

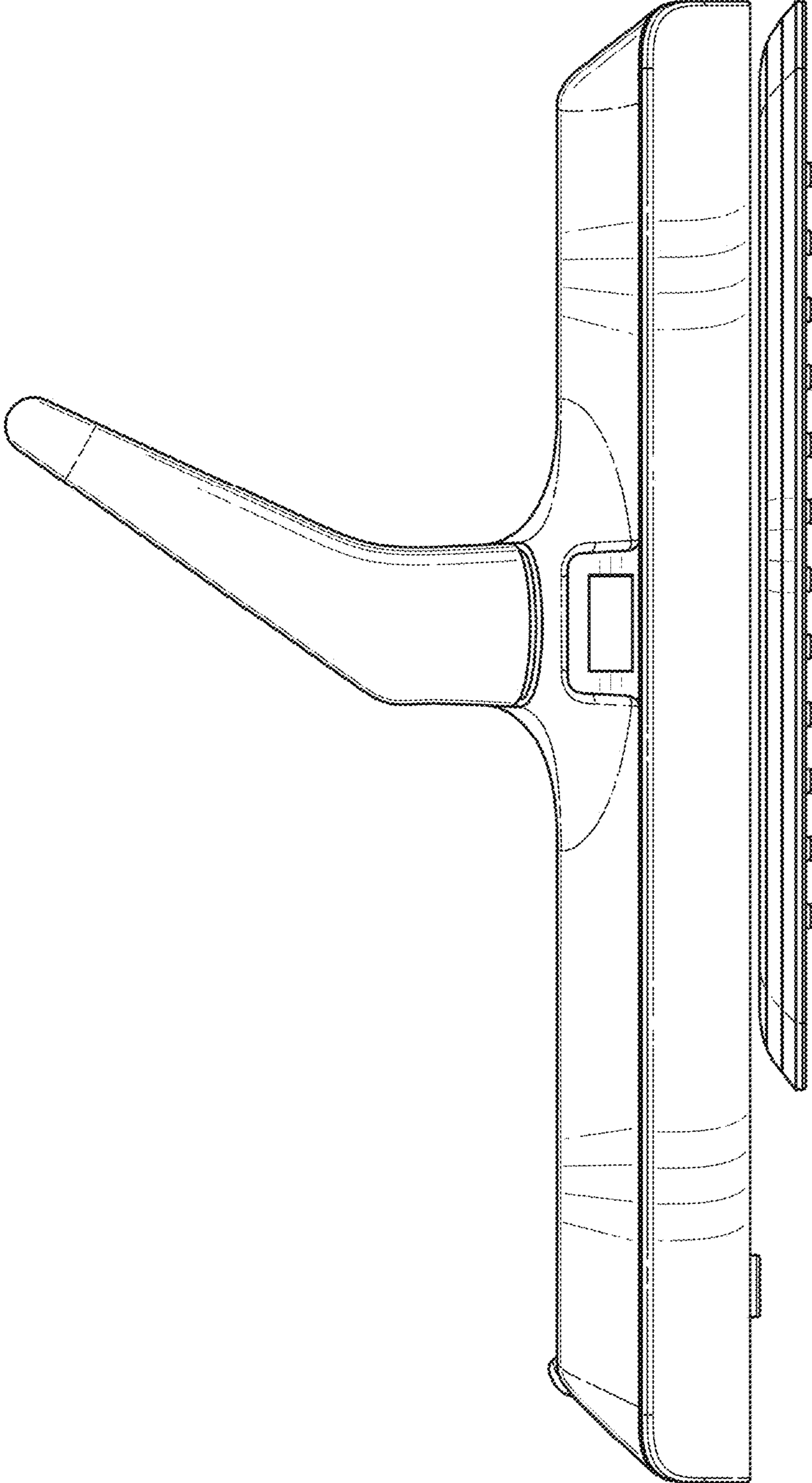


FIG. 5

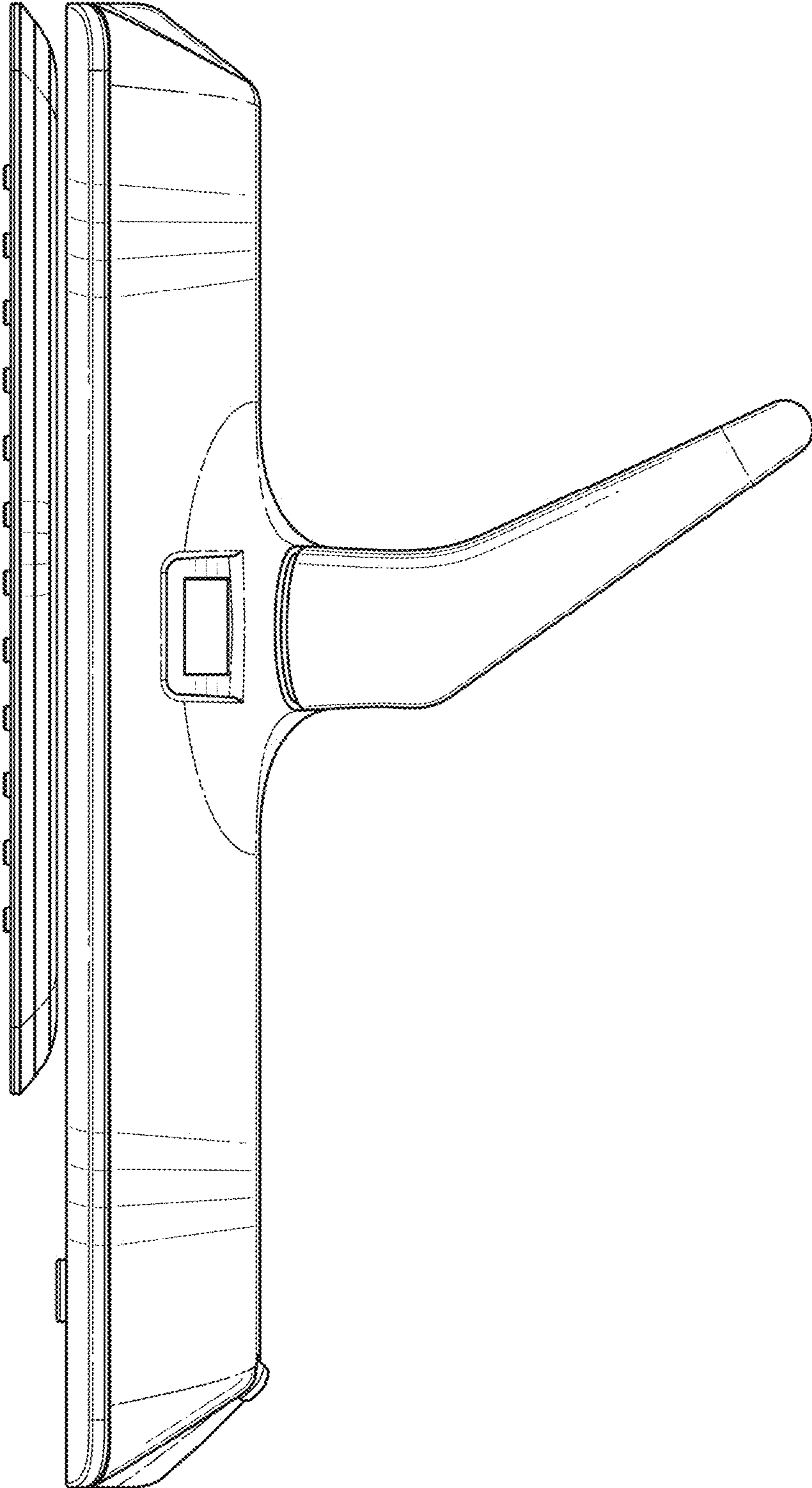


FIG. 6

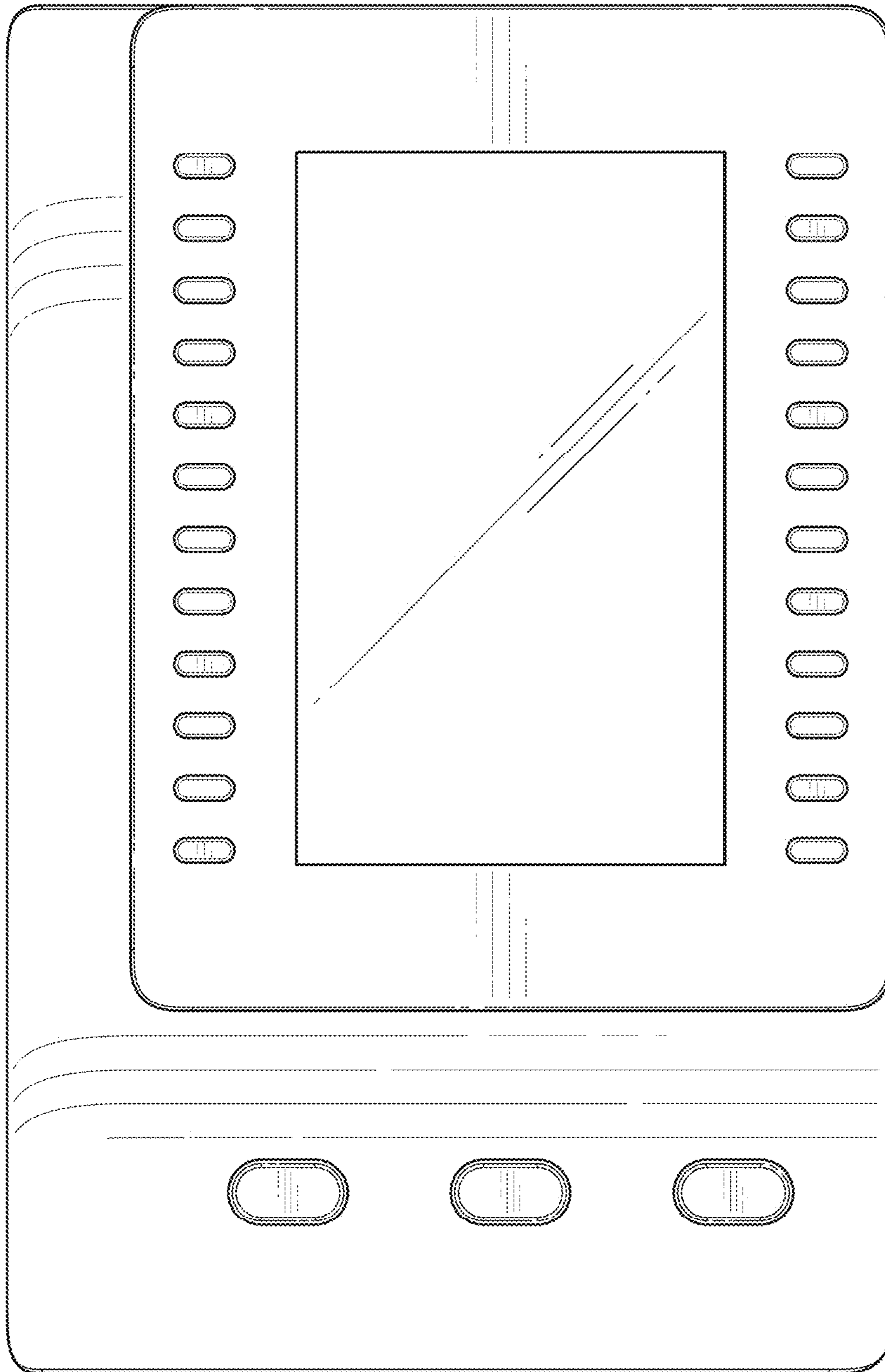


FIG. 7

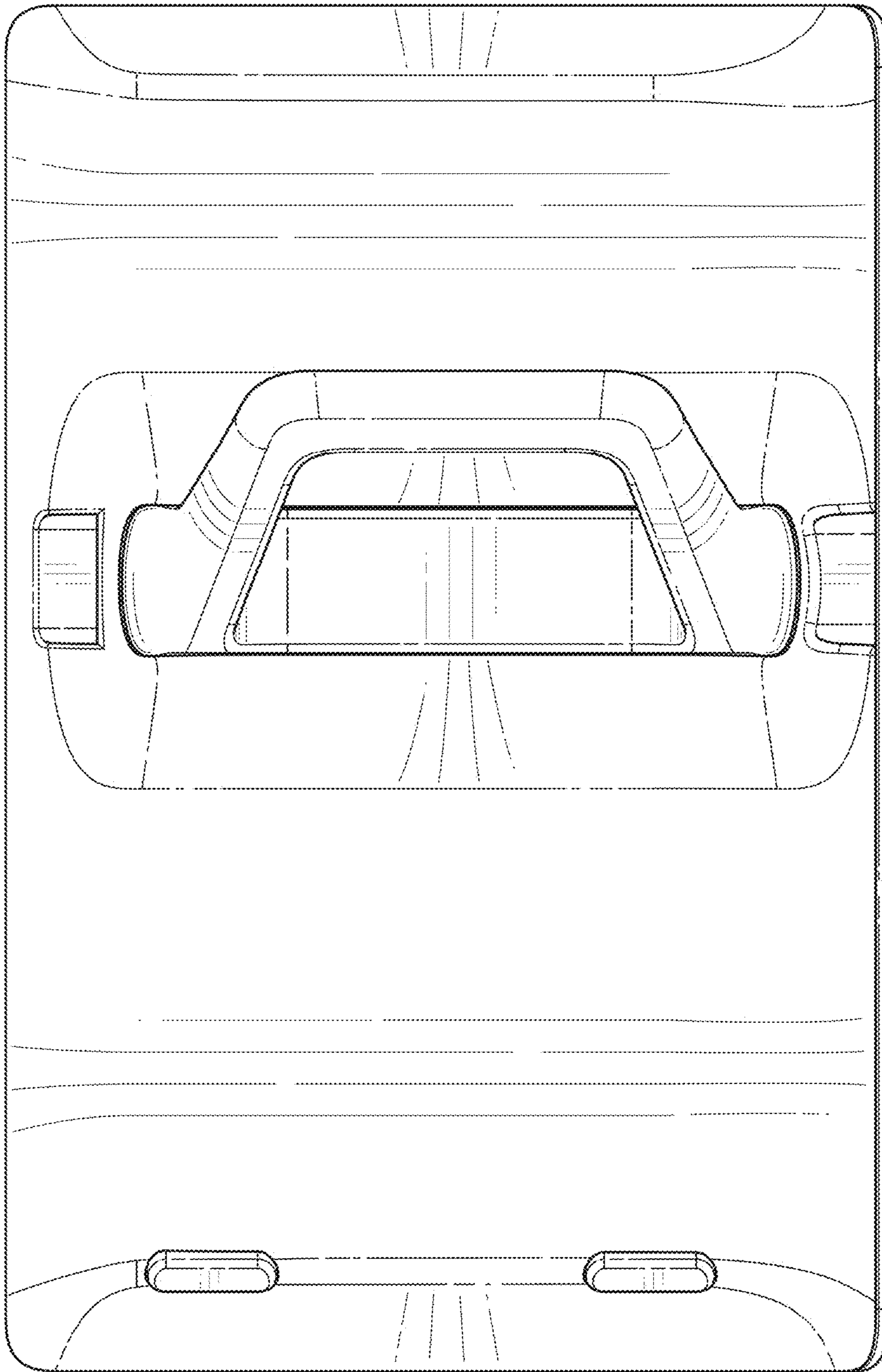


FIG. 8

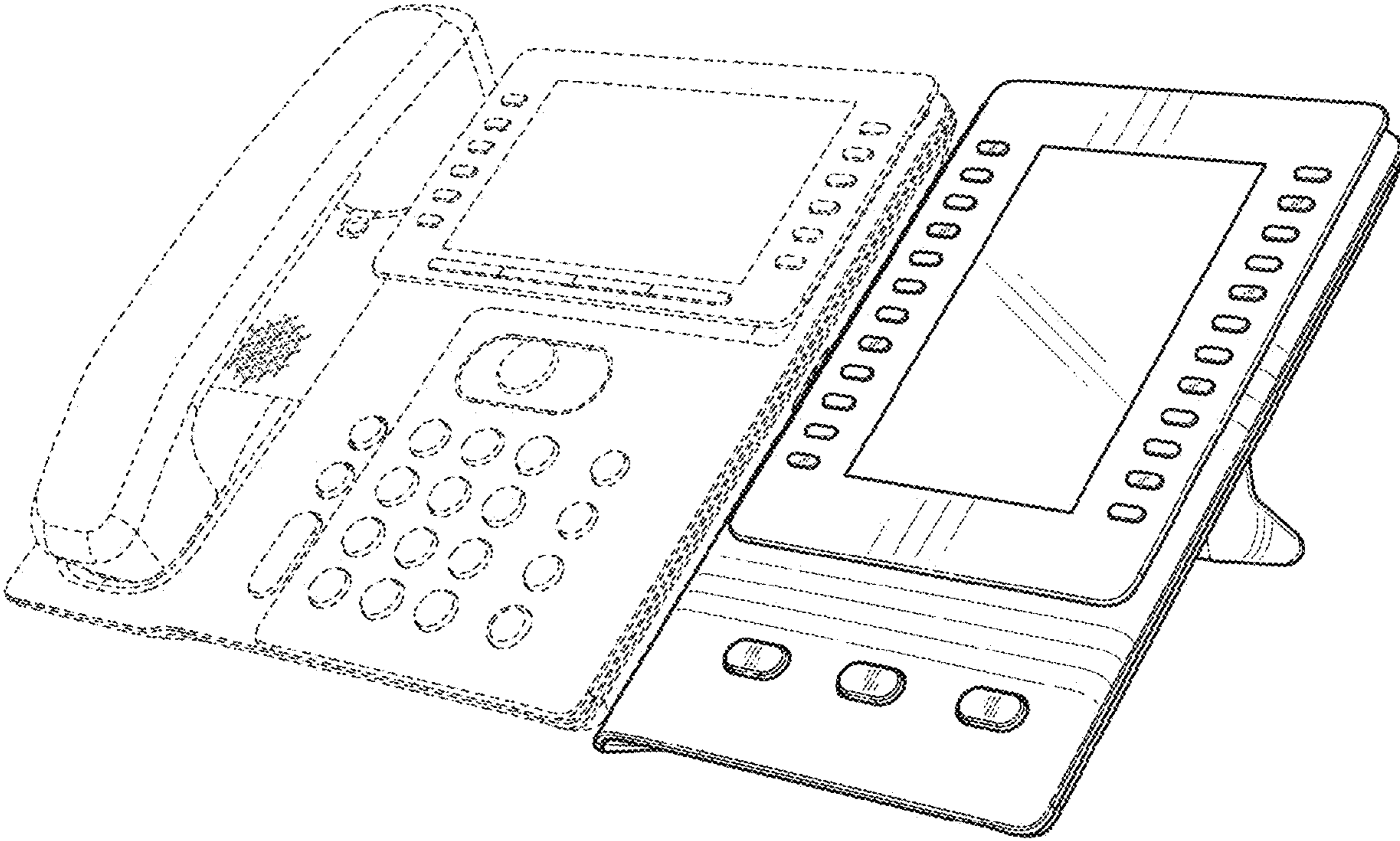


FIG. 9

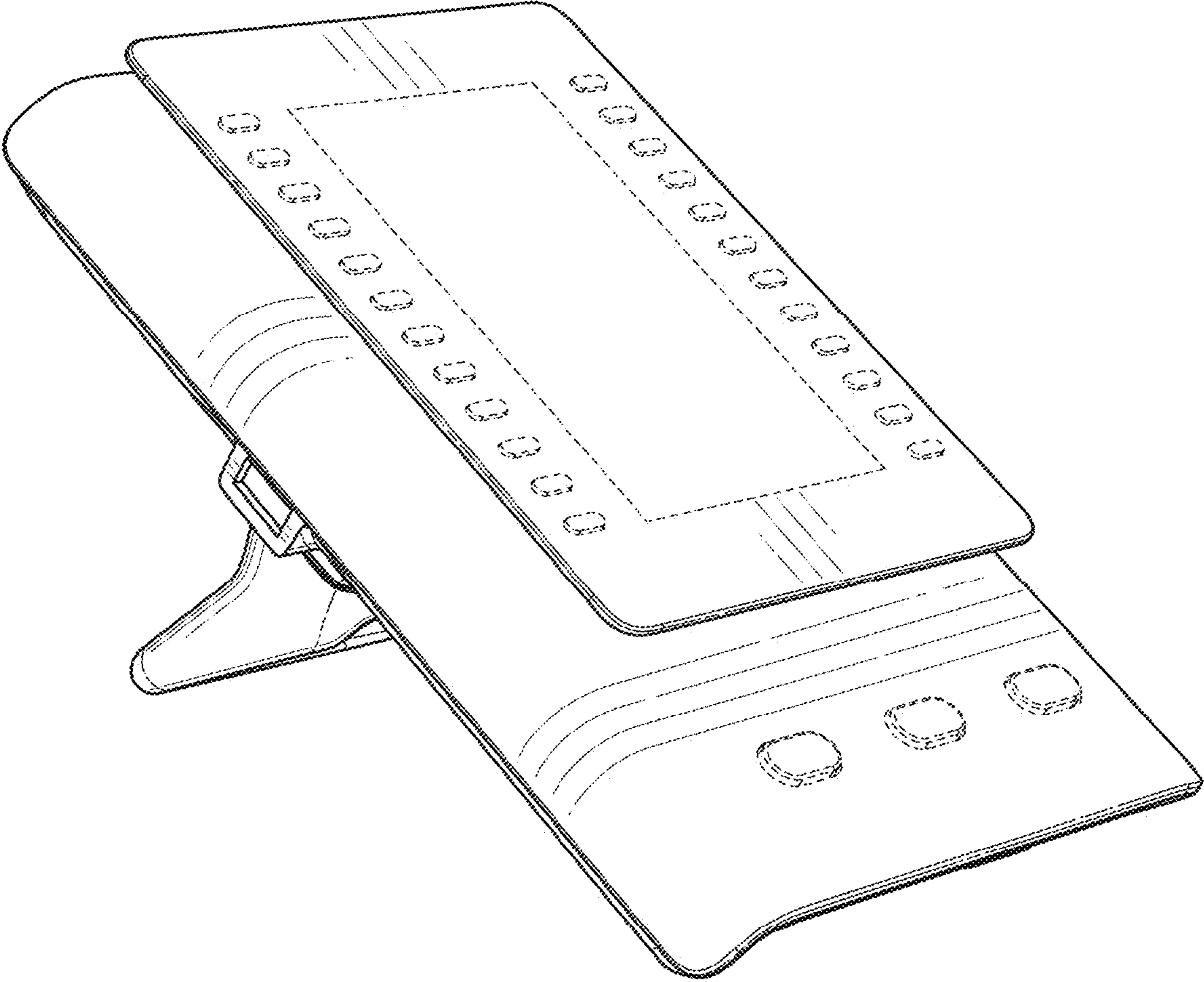


FIG. 10

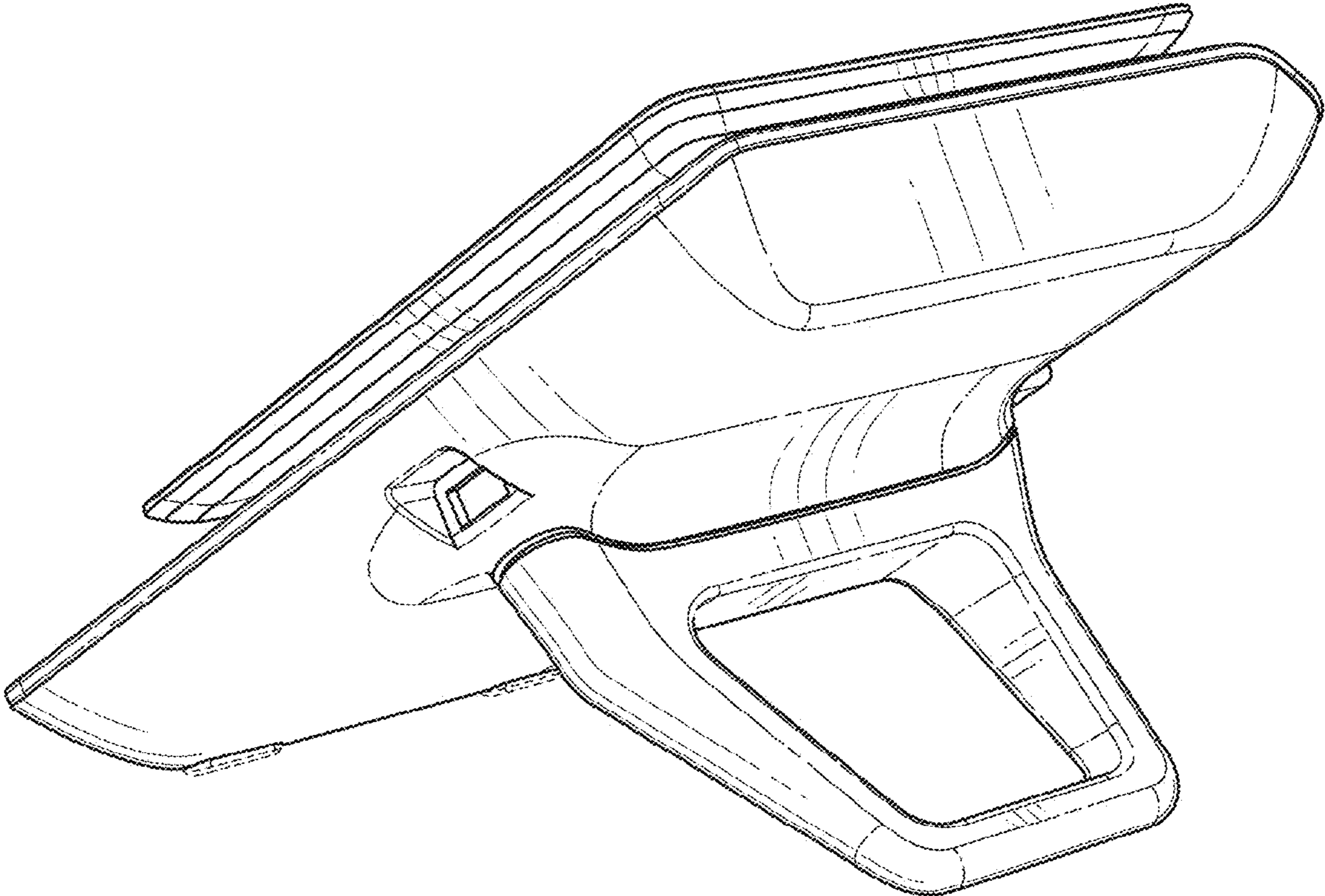


FIG. 11

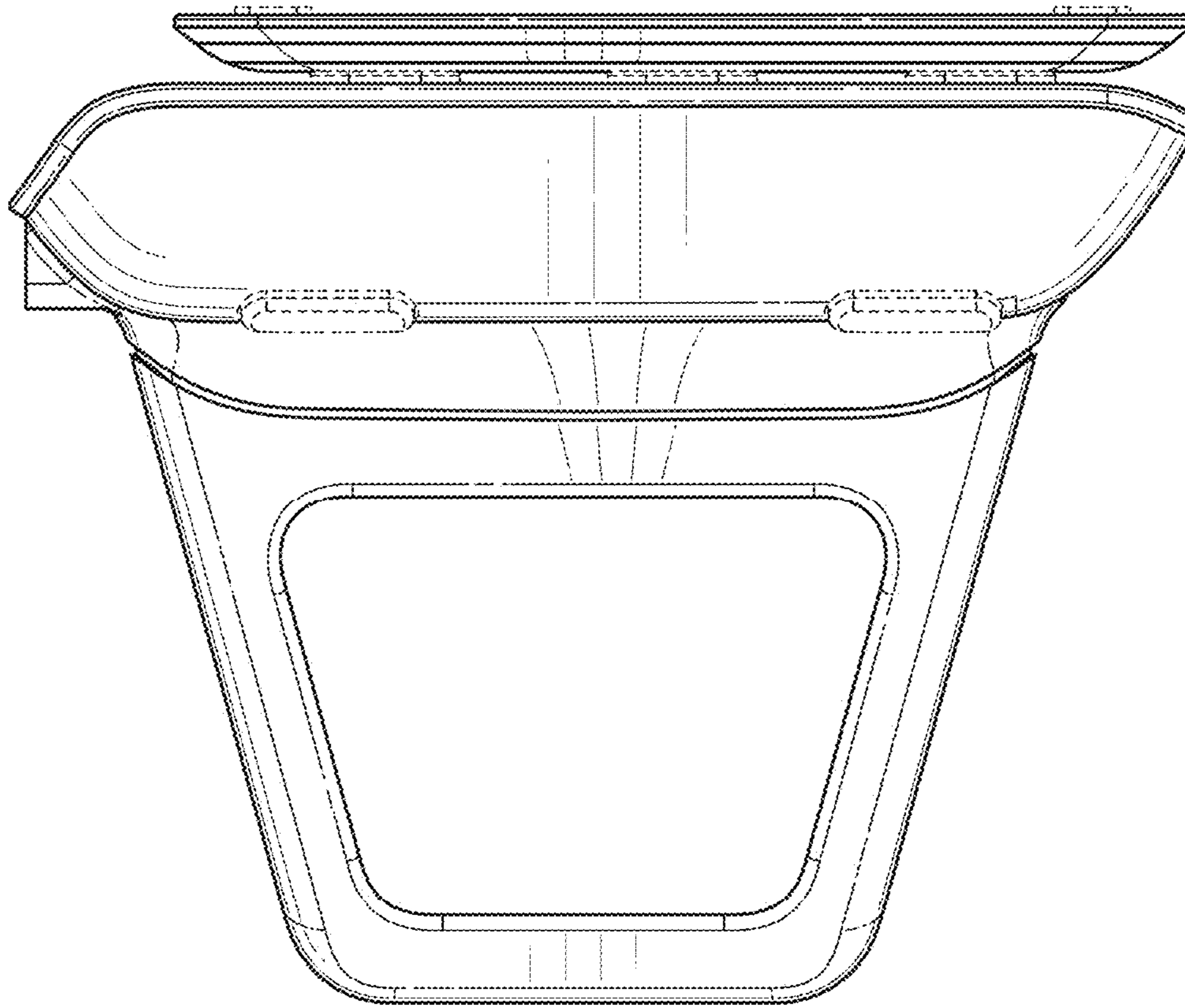


FIG. 12

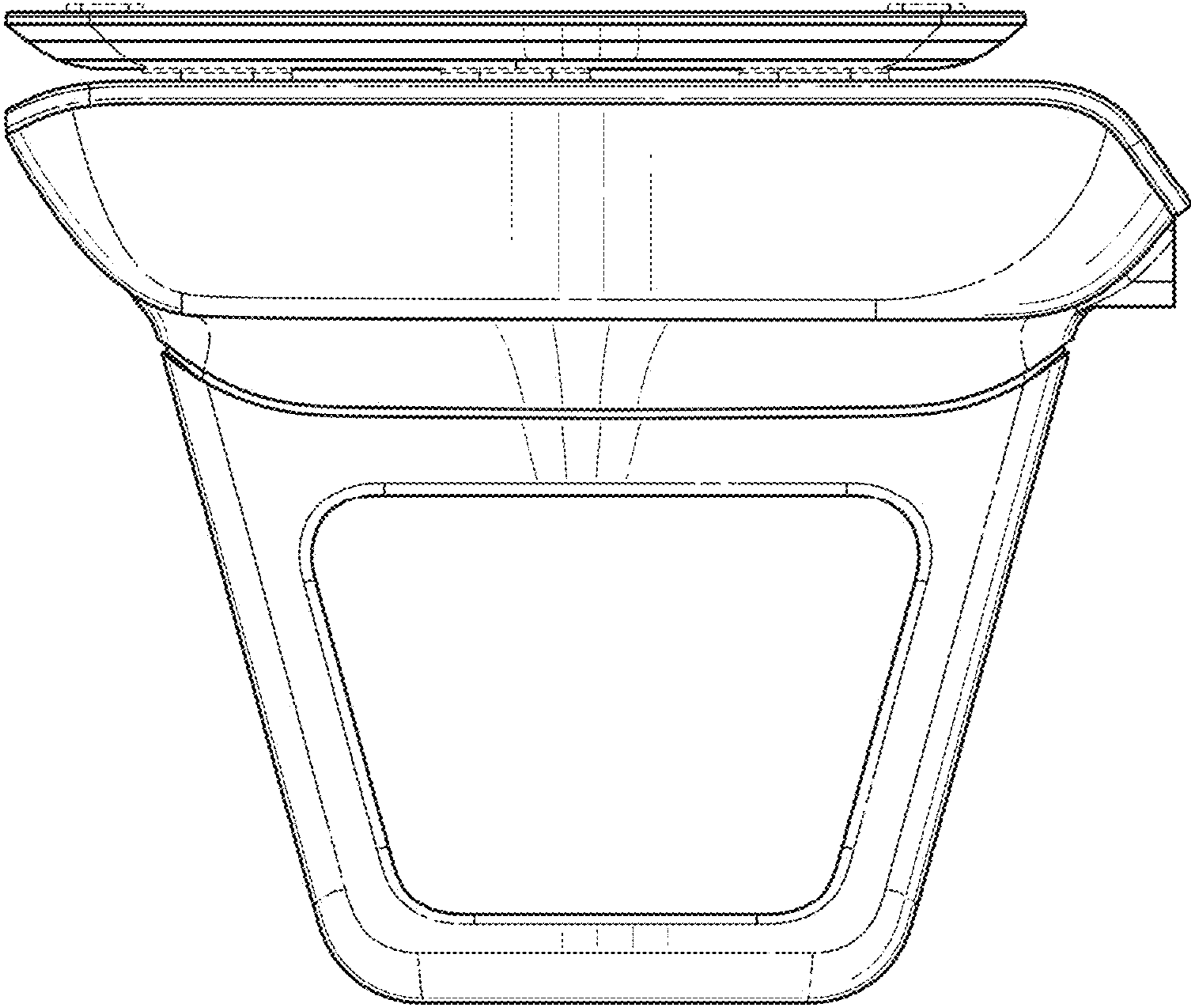


FIG. 13

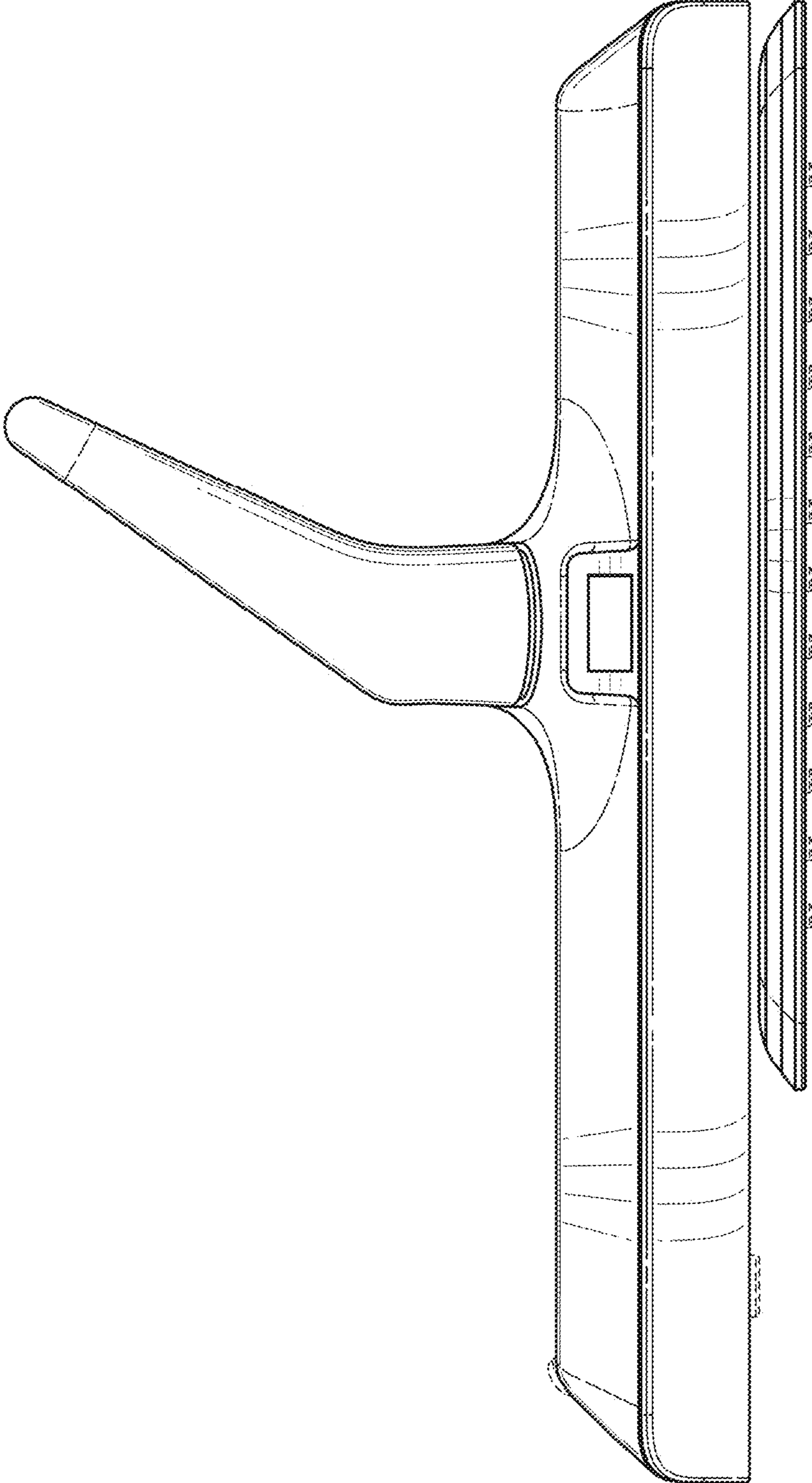


FIG. 14

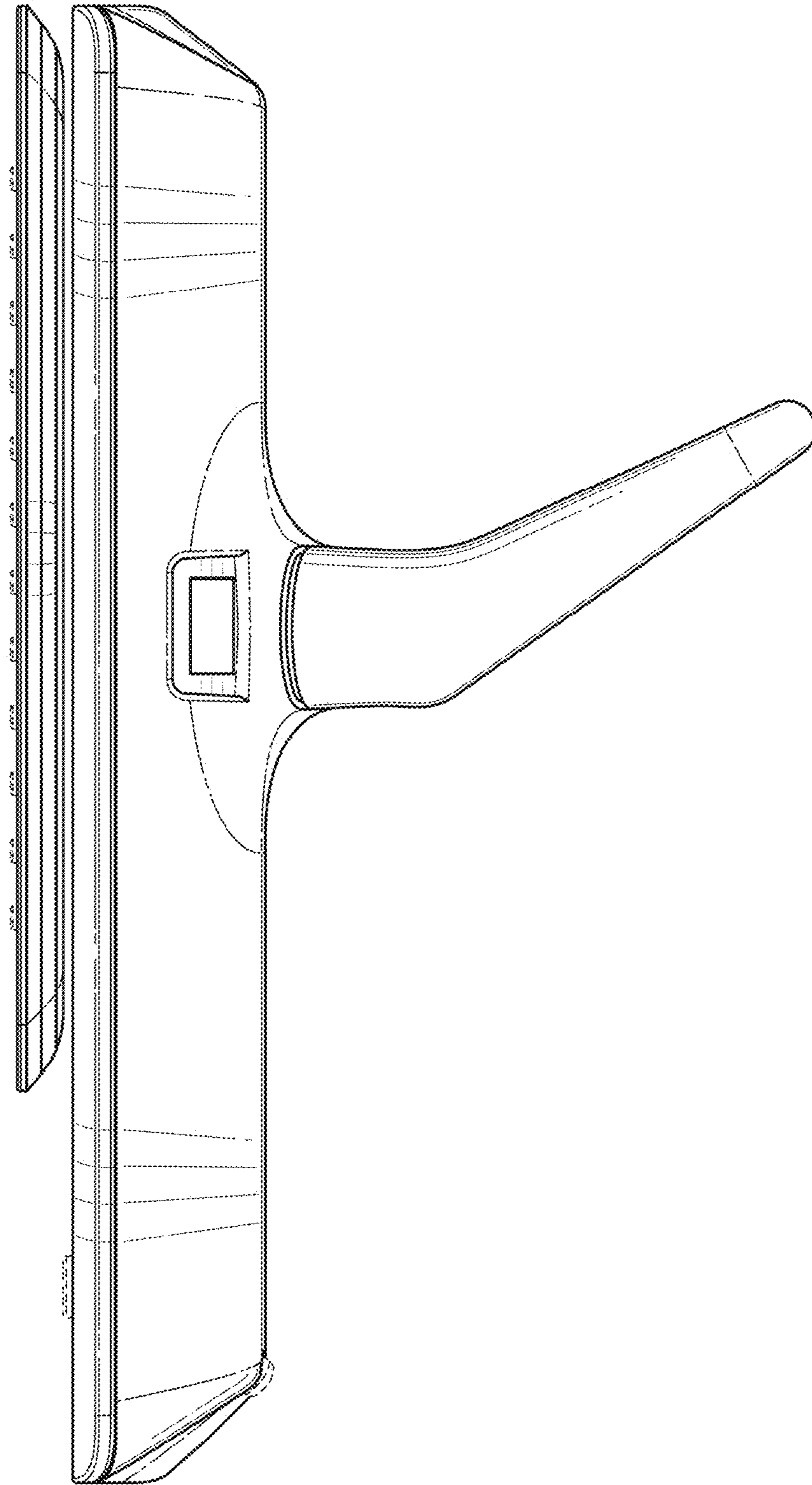


FIG. 15

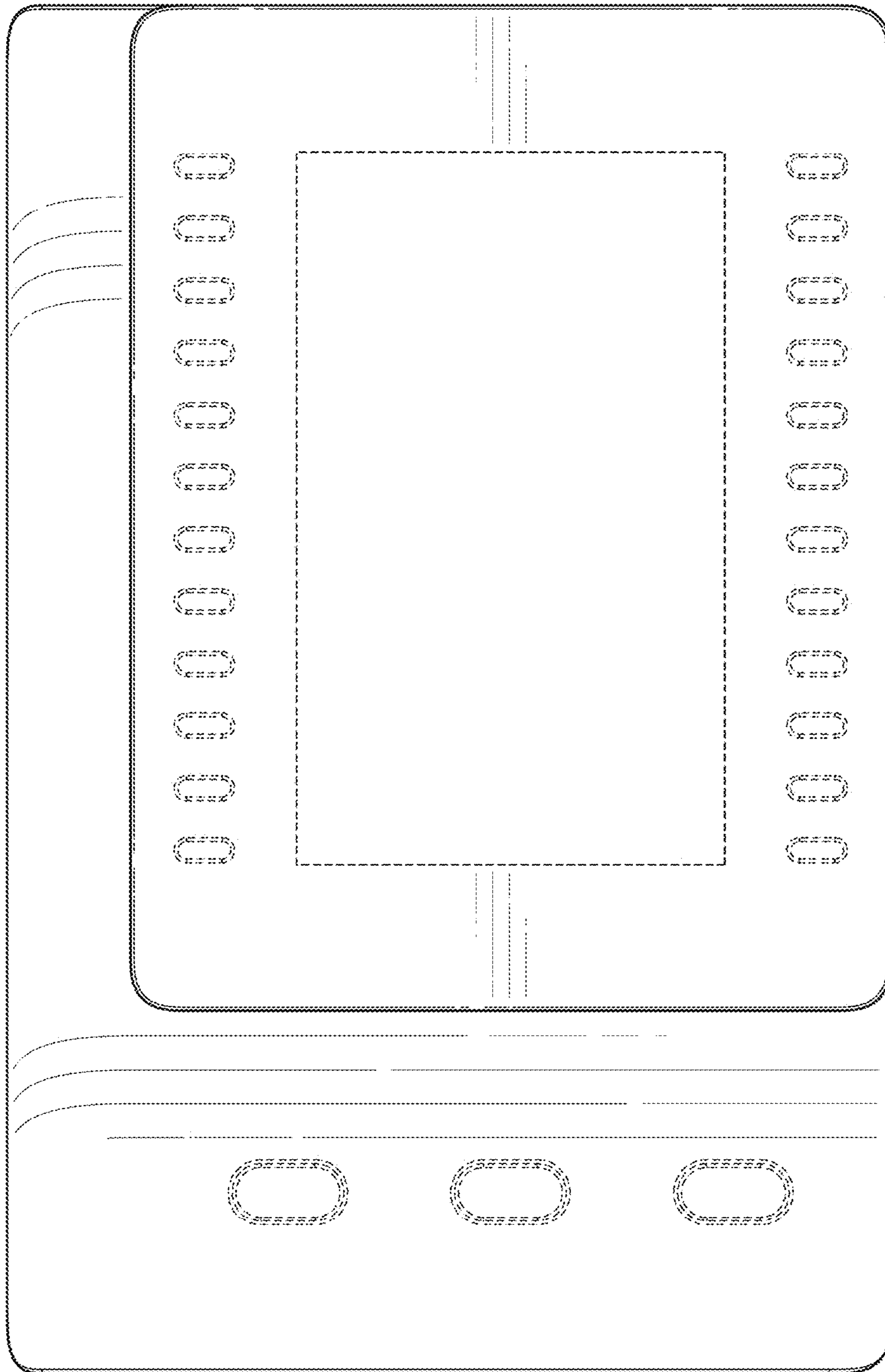


FIG. 16

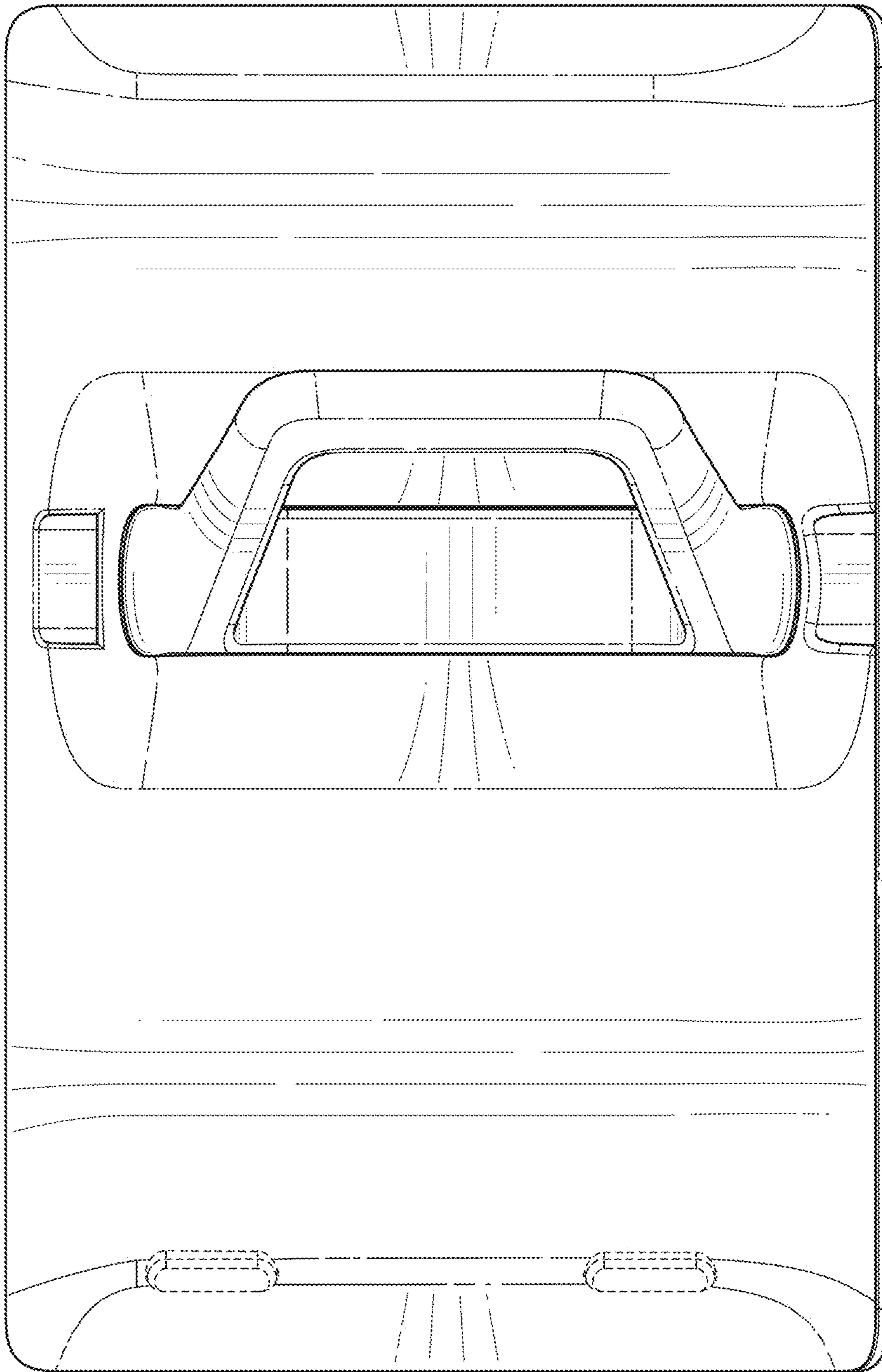


FIG. 17

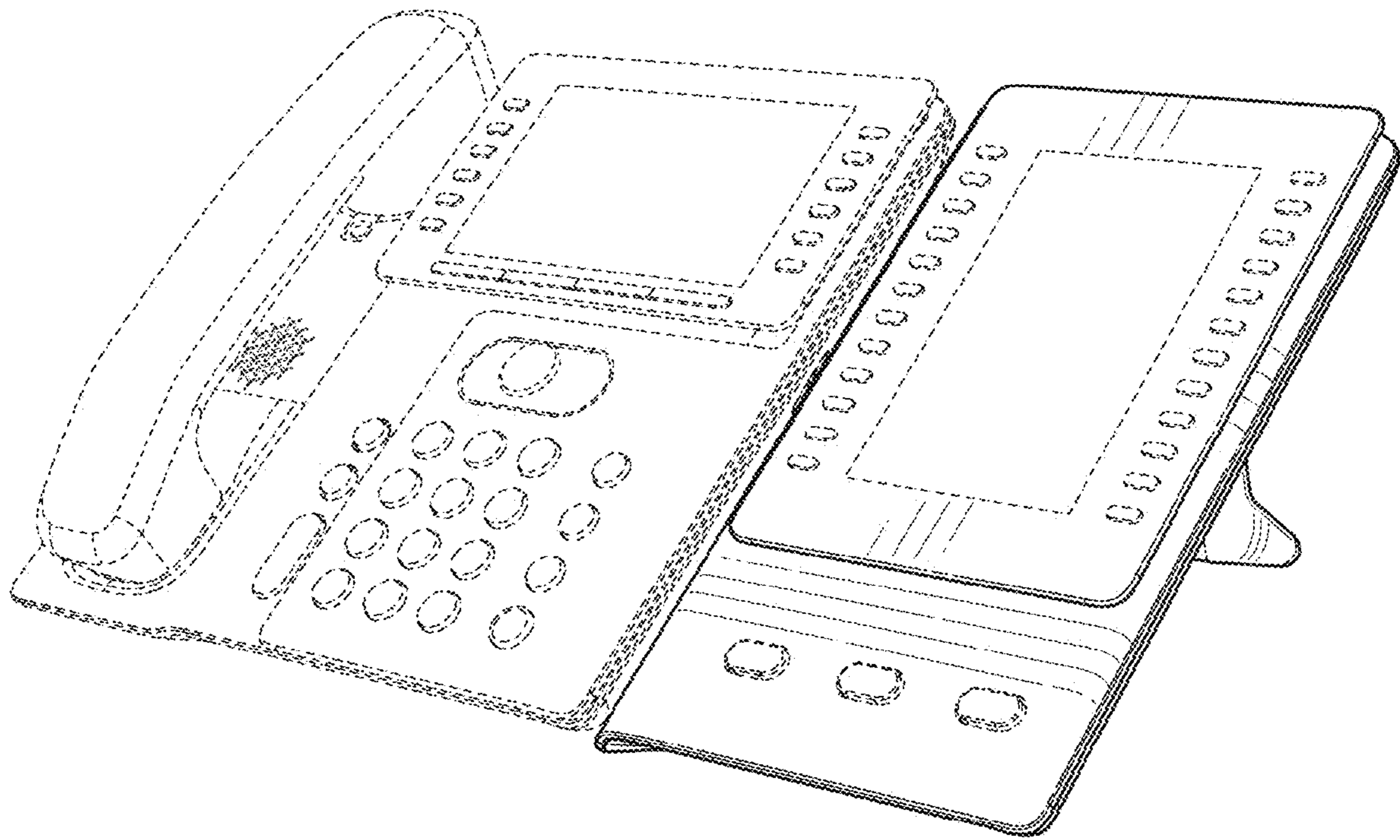


FIG. 18