



US00D970459S

(12) **United States Design Patent** (10) **Patent No.:** **US D970,459 S**
Lee et al. (45) **Date of Patent:** **** Nov. 22, 2022**

(54) **HANDHELD COMMUNICATION DEVICE**

(71) Applicant: **MOTOROLA SOLUTIONS, INC.**,
Chicago, IL (US)

(72) Inventors: **Soon Hin Lee**, Bayan Lepas (MY);
Lanting L Garra, Sunrise, FL (US);
Ban Hin Ooi, Bayan Lepas (MY);
Liong Siung Wong, Bayan Lepas
(MY); **Lee Sun Ooi**, Kulim (MY);
Ryan M Nilsen, Plantation, FL (US)

(73) Assignee: **MOTOROLA SOLUTIONS, INC.**,
Chicago, IL (US)

(**) Term: **15 Years**

(21) Appl. No.: **29/725,836**

(22) Filed: **Feb. 27, 2020**

(51) **LOC (13) Cl.** **14-03**

(52) **U.S. Cl.**
USPC **D14/137**

(58) **Field of Classification Search**
USPC D14/137, 138 AA, 138 AD, 138 G,
D14/138 R, 142, 147, 148, 155, 157-159,
(Continued)

(56) **References Cited**

U.S. PATENT DOCUMENTS

D602,892 S * 10/2009 Devenish, III D14/137
D654,035 S 2/2012 Ismail et al.
(Continued)

FOREIGN PATENT DOCUMENTS

CN 305537197 * 1/2020
EM 006562146-0001 * 8/2019

OTHER PUBLICATIONS

“MOTOTRBO Ion Portable Smart Radio”, available in motorolasolutions.com, announced Year 2021 [online], [site visited Dec. 23,

2021], Internet URL: https://www.motorolasolutions.com/en_us/products/two-way-radios/mototrbo/portable-radios/mototrbo-ion-radio.html (Year: 2021).*

(Continued)

Primary Examiner — Leanne Was-Englehart
(74) *Attorney, Agent, or Firm* — Raguraman Kumaresan

(57) **CLAIM**

The ornamental design for a handheld communication device, as shown and described.

DESCRIPTION

FIG. 1 is a front perspective view of a first embodiment of an ornamental design for a handheld communication device; FIG. 2 is a rear perspective view of the first embodiment thereof; FIG. 3 is a front view of the first embodiment thereof; FIG. 4 is a rear view of the first embodiment thereof; FIG. 5 is a first side view of the first embodiment thereof; FIG. 6 is a second side view of the first embodiment thereof; FIG. 7 is a top view of the first embodiment thereof; and FIG. 8 is a bottom view of the first embodiment thereof. FIG. 9 is a front perspective view of a second embodiment of an ornamental design for a handheld communication device; FIG. 10 is a rear perspective view of the second embodiment thereof; FIG. 11 is a front view of the second embodiment thereof; FIG. 12 is a rear view of the second embodiment thereof; FIG. 13 is a first side view of the second embodiment thereof; FIG. 14 is a second side view of the second embodiment thereof; FIG. 15 is a top view of the second embodiment thereof; and, FIG. 16 is a bottom view of the second embodiment thereof. The broken lines illustrate portions of the handheld communication device that form no part of the claimed design.

1 Claim, 14 Drawing Sheets



(58) **Field of Classification Search**

USPC D14/163–165, 168, 171, 172, 188, 191,
D14/192, 194–198, 203.1, 203.3, 203.5,
D14/203.7, 204, 210–216, 218, 219, 221,
D14/225, 226, 341, 342,345,346, 144;
D21/324, 329, 331, 517, 566; D10/65,
D10/78, 104.1, 104.2, 106.1; D13/168;
D30/199
CPC H04B 1/3833; H04B 1/3827; H04B
2001/3861; H04B 1/385; H04B 1/3883;
H04B 2001/3855; H04B 2001/3872;
H04M 1/23; H04M 1/233; H04M 1/7246;
H04M 1/72427; G08B 21/0202; H04R
2410/00; H04R 1/00; H04R 2410/01;
H04R 2410/03; H04R 2410/05; H04R
2410/07; H04R 27/00; H04R 27/02;
H04R 27/04

See application file for complete search history.

(56)

References Cited

U.S. PATENT DOCUMENTS

D752,006 S * 3/2016 Plaschke D14/138 G
D784,942 S * 4/2017 Duran D14/137
D785,584 S * 5/2017 Nilsen D14/137
D837,760 S * 1/2019 Lee D14/138 G
D857,642 S * 8/2019 Nilsen D14/137
D881,146 S * 4/2020 Nilsen D14/137
D881,147 S * 4/2020 Nilsen D14/137
10,615,836 B1 * 4/2020 Akens H04B 1/3888
D923,597 S * 6/2021 Nishikawa D14/137
D929,954 S * 9/2021 Bicudo D14/137
D940,094 S * 1/2022 Chen D14/138 G

OTHER PUBLICATIONS

“MOTOTRBO™ Ion Reveal”, first available Feb. 8, 2021, youtube.
com, [online], [site visited Mar. 26, 2022], Available from internet
URL: <https://www.youtube.com/watch?v=JxF6-EERnkU> (Year: 2021).*

* cited by examiner

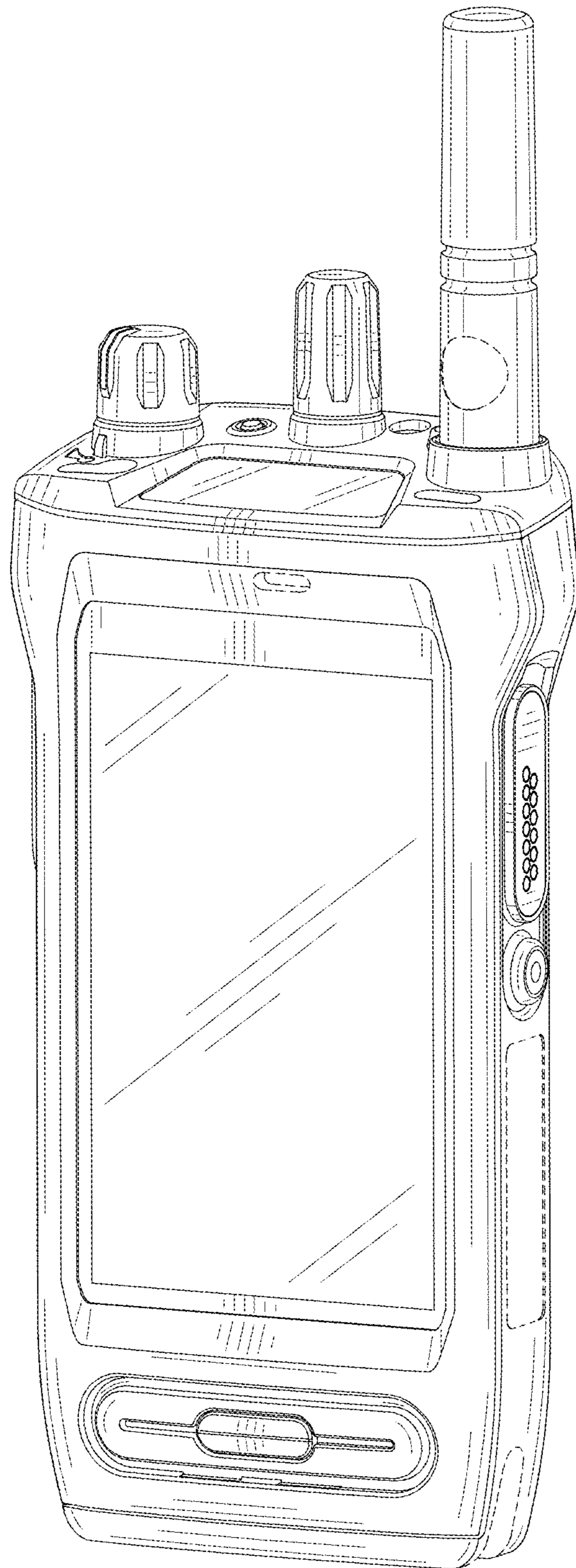


FIG. 1

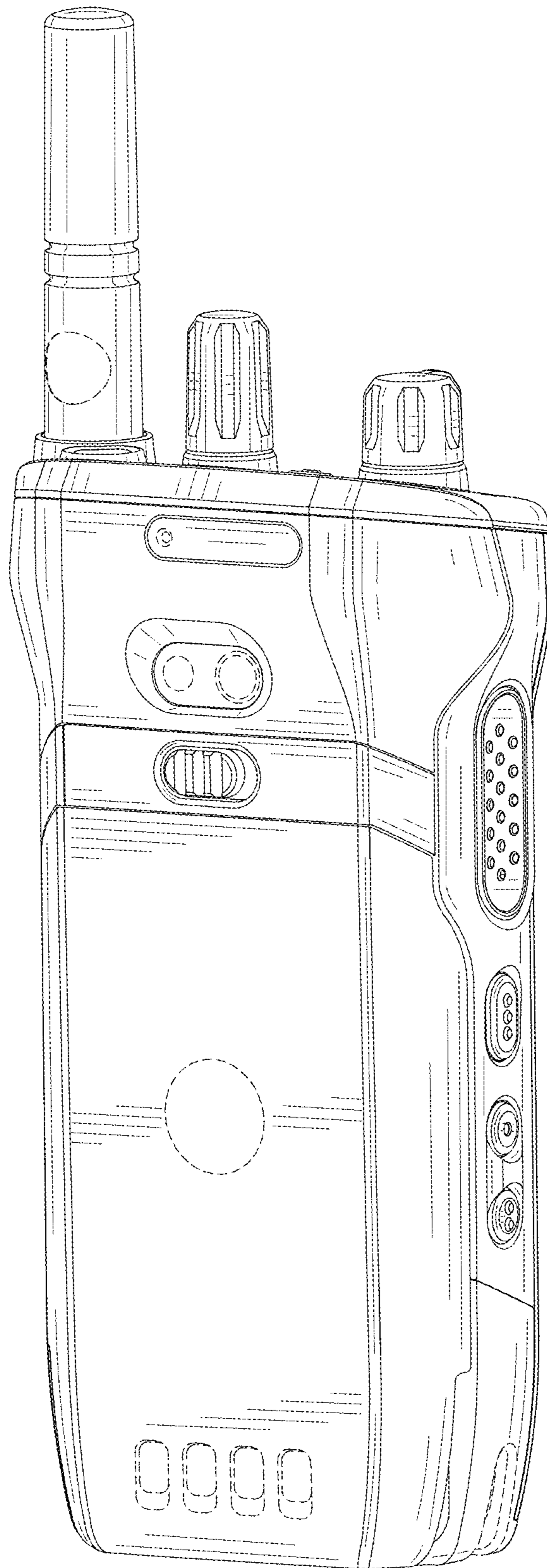


FIG. 2

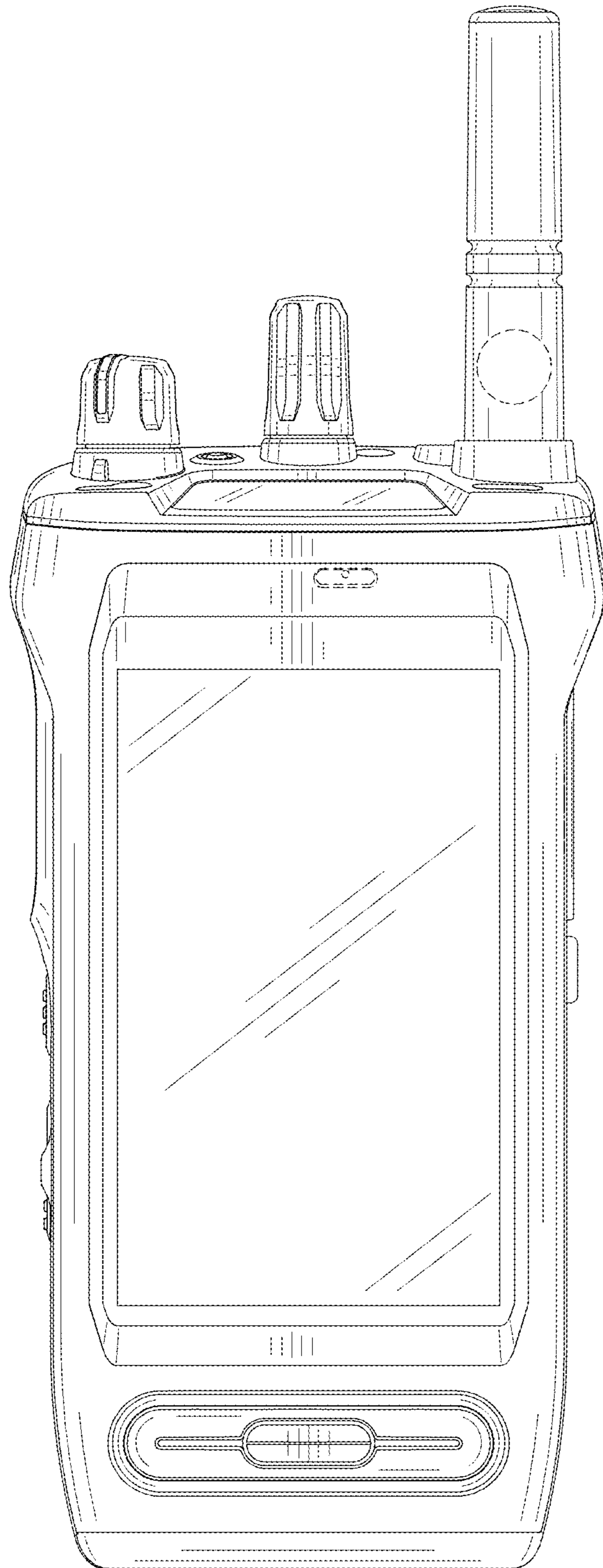


FIG. 3

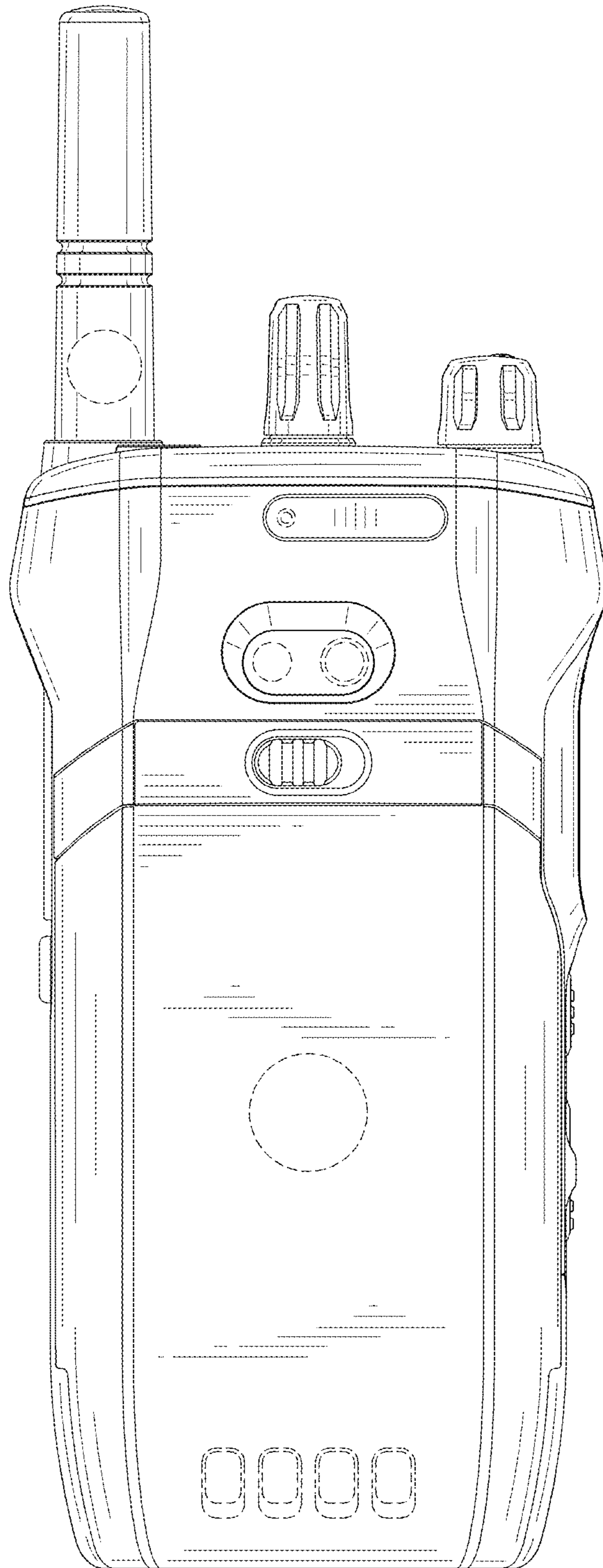


FIG. 4

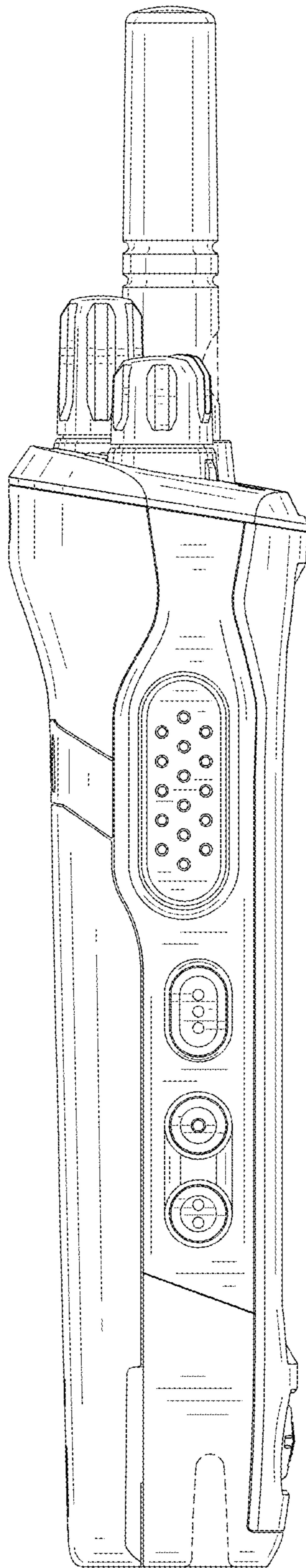


FIG. 5

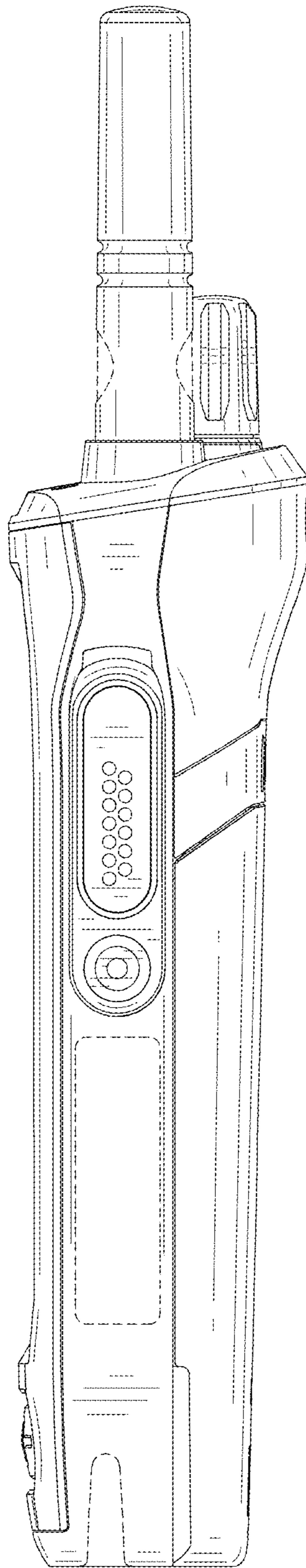


FIG. 6

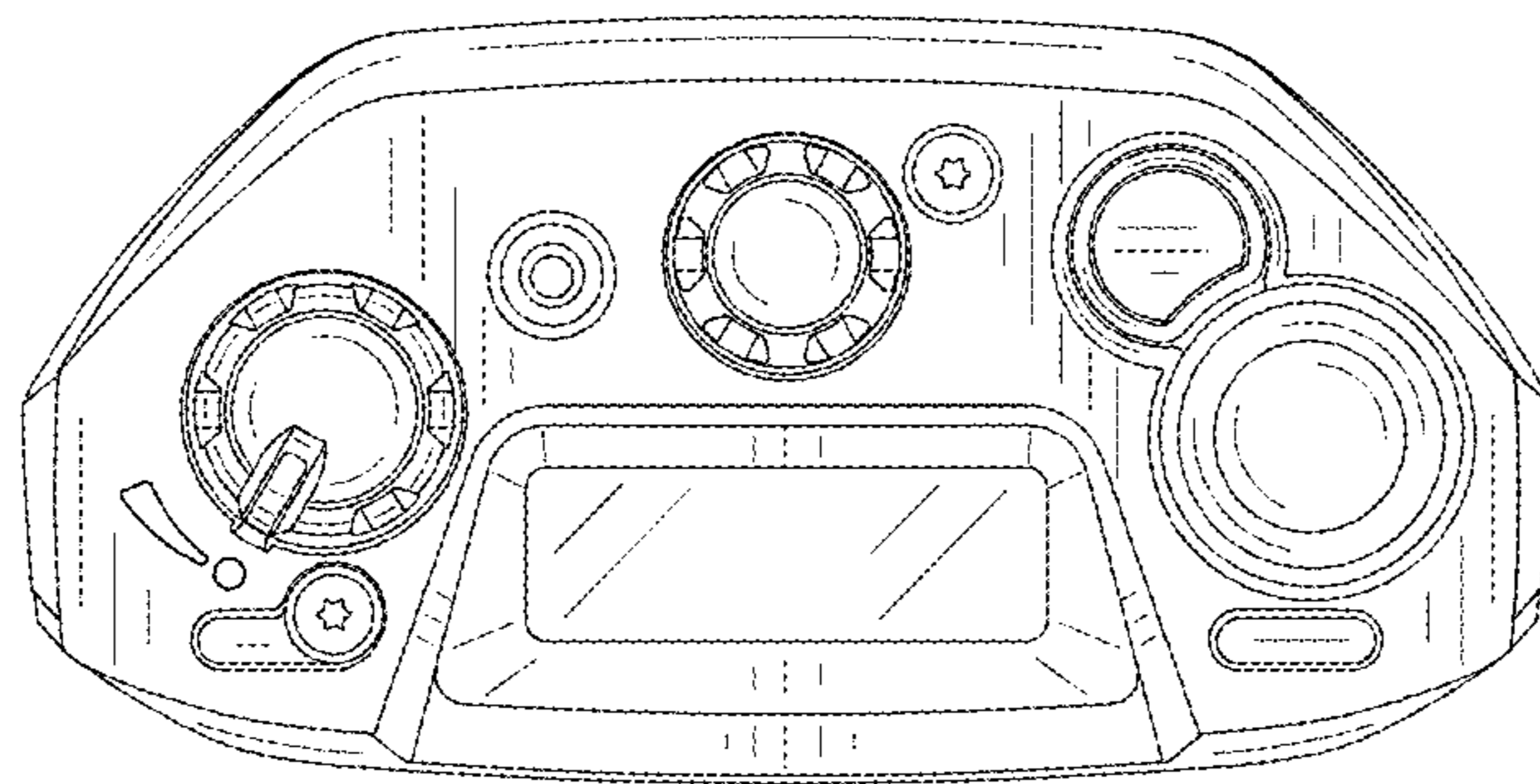


FIG. 7

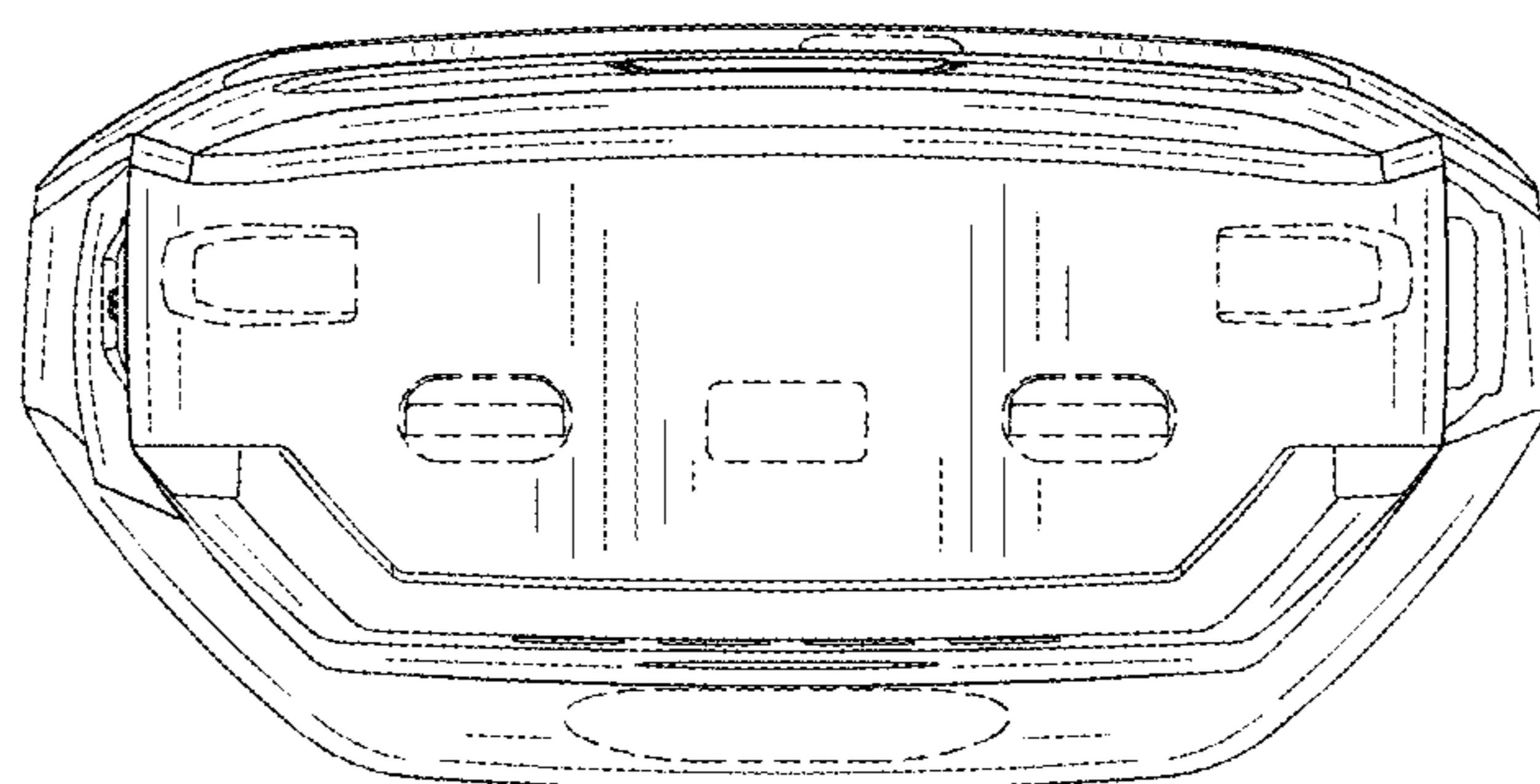


FIG. 8

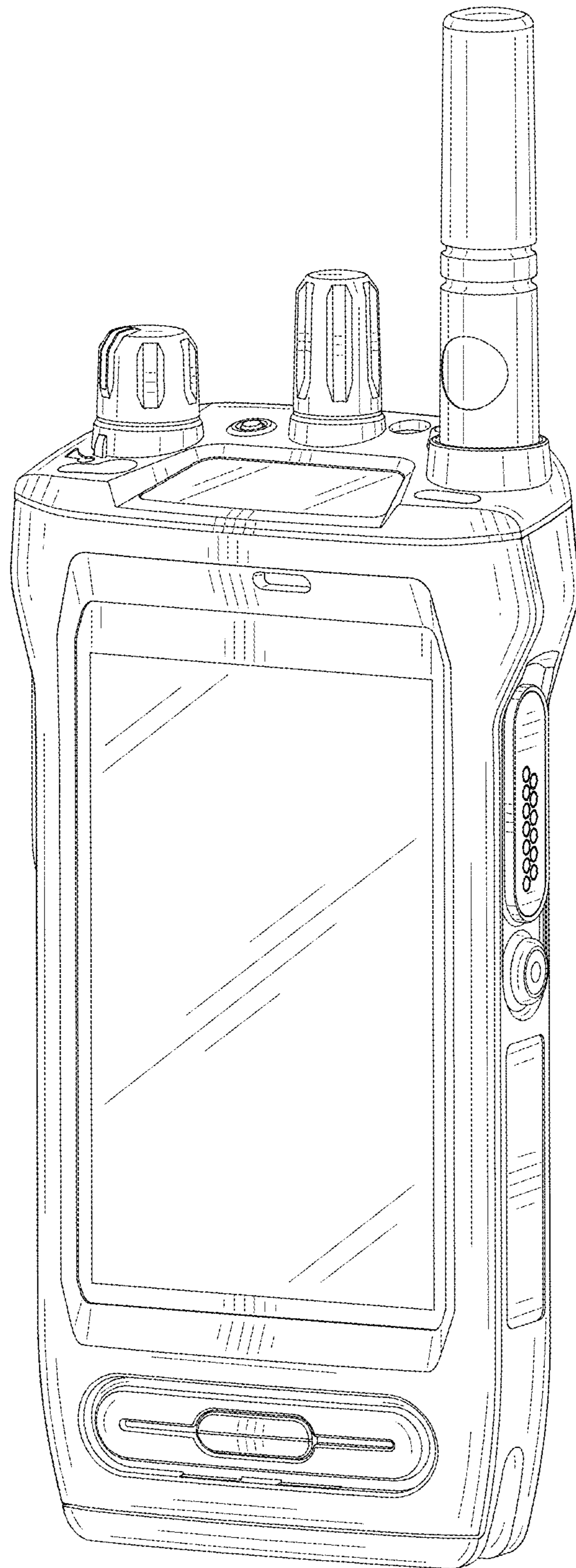


FIG. 9

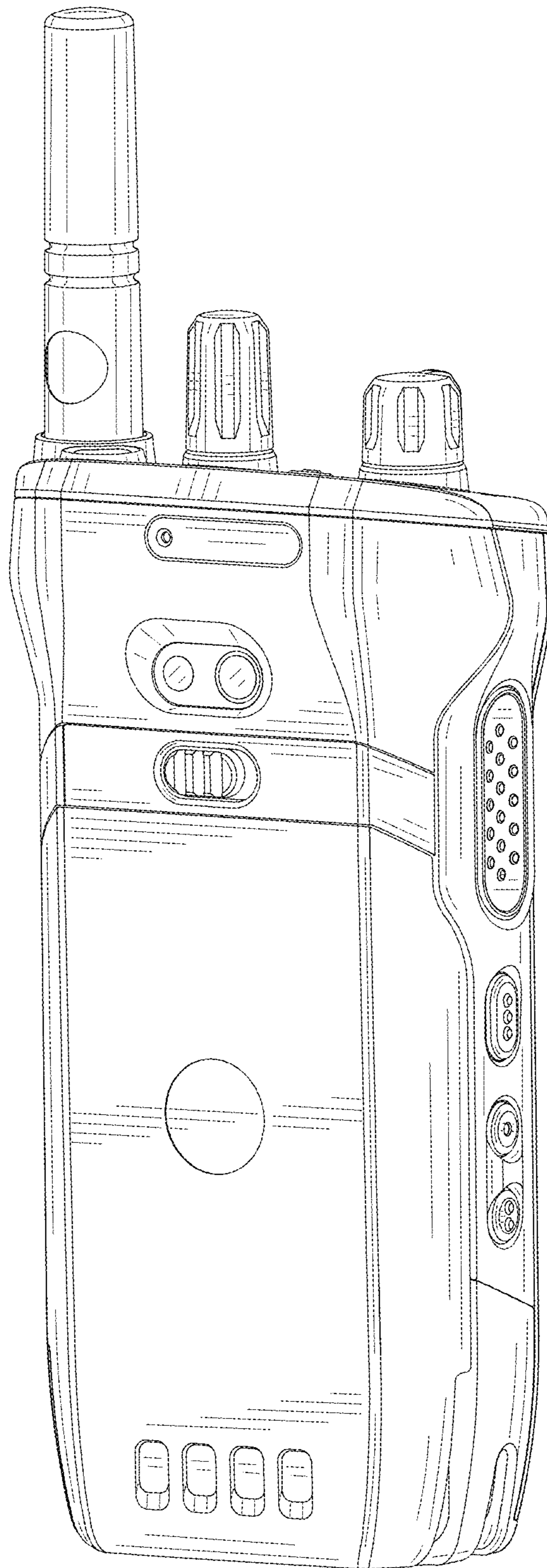


FIG. 10

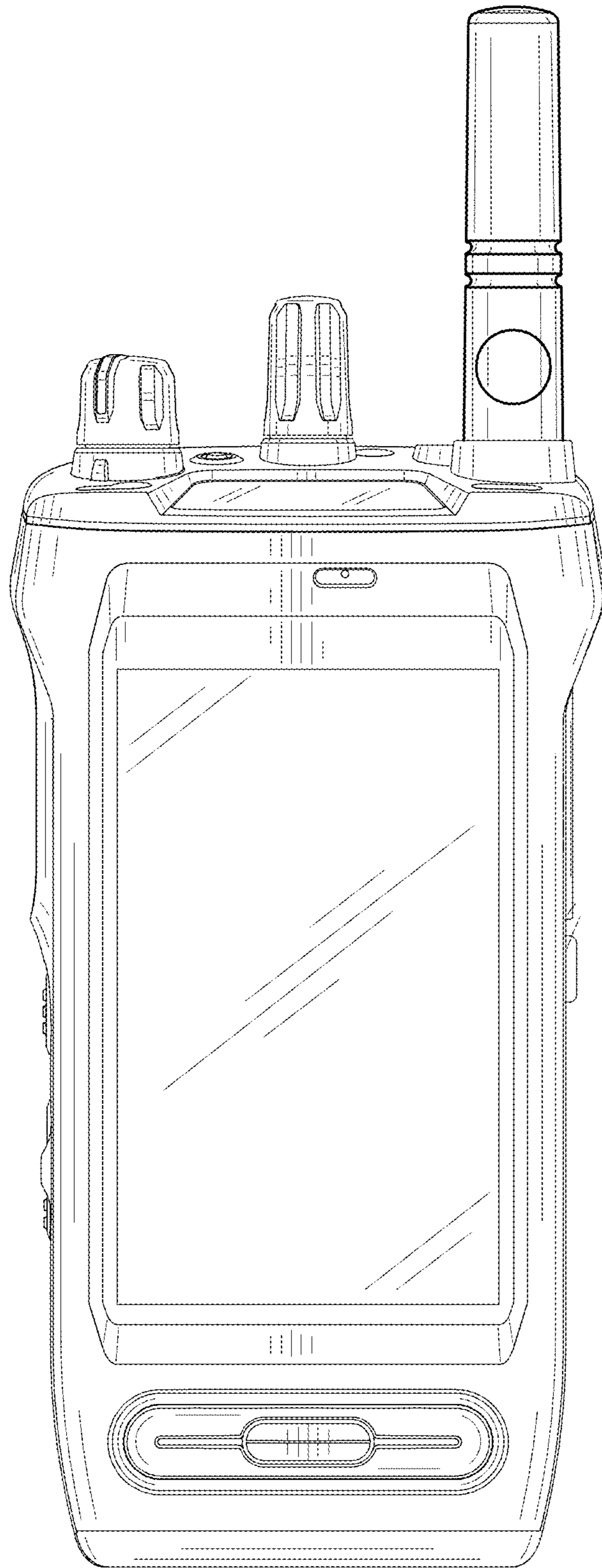


FIG. 11

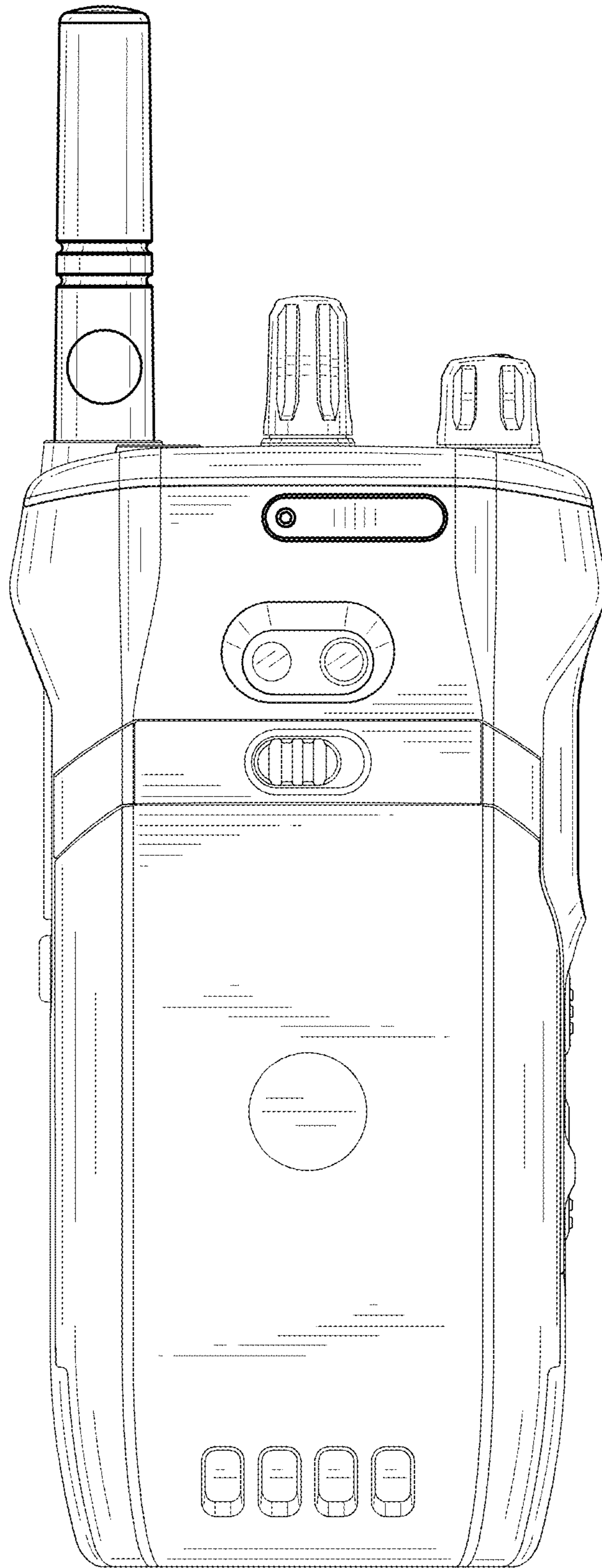


FIG. 12

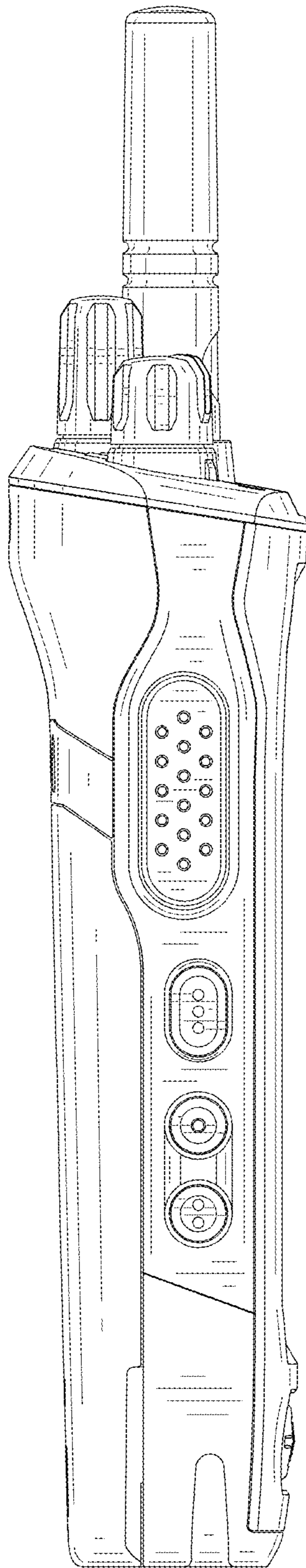


FIG. 13

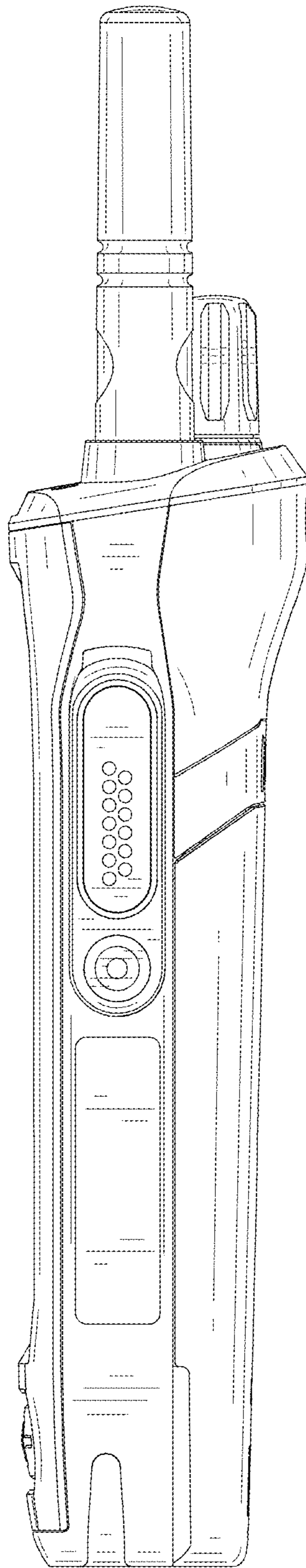


FIG. 14

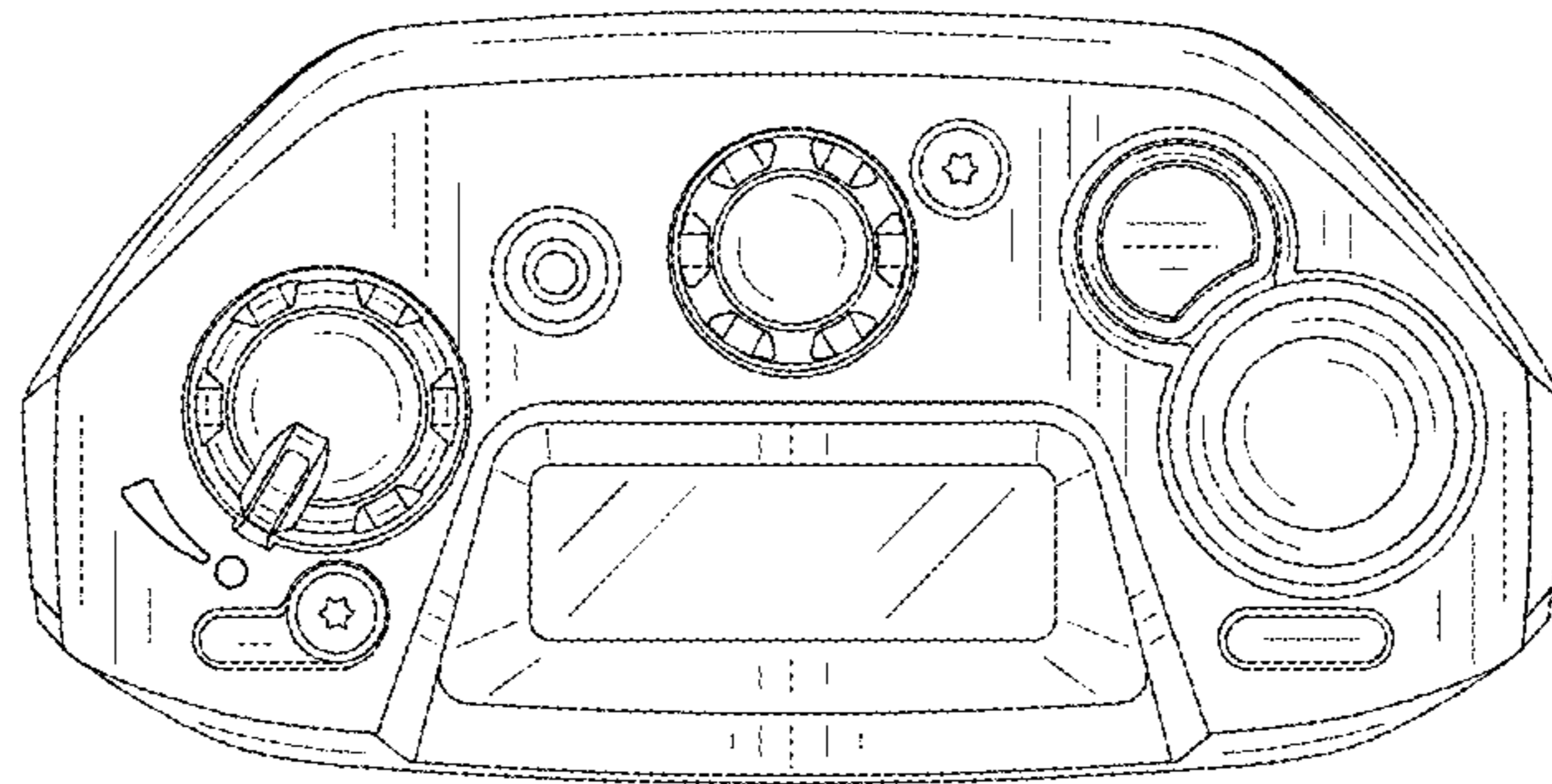


FIG. 15

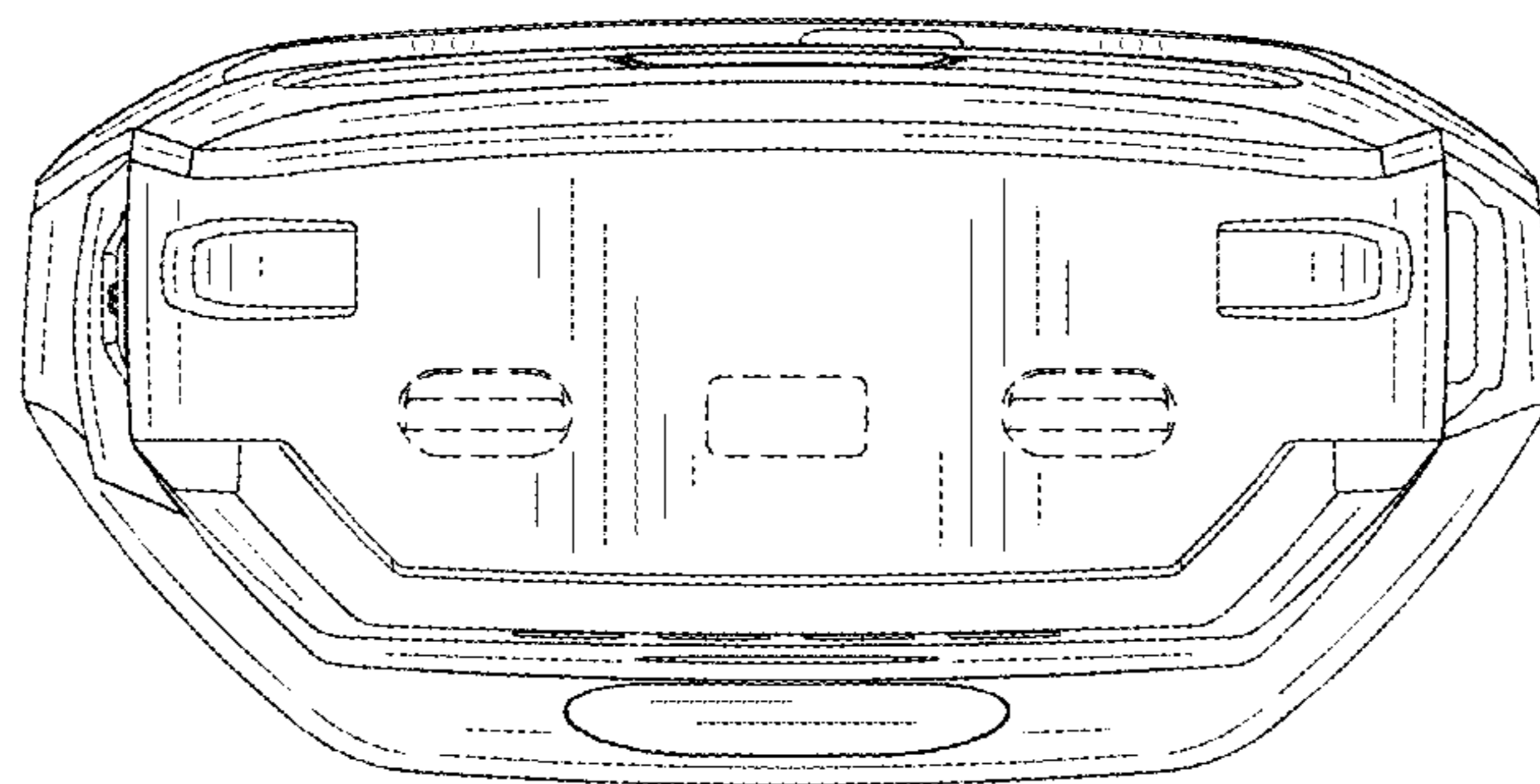


FIG. 16