

US00D970458S

(12) **United States Design Patent** (10) **Patent No.:** **US D970,458 S**  
**Zhu et al.** (45) **Date of Patent:** **\*\* Nov. 22, 2022**

(54) **VIDEO CONFERENCING CODEC UNIT**  
(71) Applicant: **Polycom, Inc.**, San Jose, CA (US)  
(72) Inventors: **Yanlin Zhu**, Austin, TX (US); **Hector Rodriguez**, Austin, TX (US); **Anthony Martin Duys**, Merrimac, TX (US); **Nathan Yang**, Austin, TX (US)  
(73) Assignee: **POLYCOM, INC.**, San Jose, CA (US)  
(\*\*) Term: **15 Years**  
(21) Appl. No.: **29/687,049**  
(22) Filed: **Apr. 10, 2019**  
(51) **LOC (13) Cl.** ..... **14-03**  
(52) **U.S. Cl.**  
USPC ..... **D14/125**  
(58) **Field of Classification Search**  
USPC ..... D14/125-126, 127-137, 155, 157,  
D14/167-168, 188, 203.1-203.8, 239,  
D14/260, 314-317, 322, 334-336,  
D14/339-341, 356-358, 371, 373-374,  
D14/432-434, 474, 496, 498;  
D16/200-208, 211, 216-219, 221, 230,  
D16/237  
CPC ..... G06F 1/16; G06F 1/1601; G06F 1/1637;  
H04N 5/64; H05K 5/0017; H05K 5/0204;  
H05K 5/0217  
See application file for complete search history.

D470,873 S 2/2003 Hovanky et al.  
D471,219 S 3/2003 Hovanky et al.  
D471,573 S 3/2003 Hovanky et al.  
D514,562 S 2/2006 Lu et al.  
(Continued)

**OTHER PUBLICATIONS**

Poly G7500 4K Wireless Presentation System, date first available: Jan. 25, 2021, [retrieved May 21, 2021], Retrieved from Internet, URL: <https://www.amazon.com/Poly-Wireless-Presentation-Microphone-Pre-Configured/dp/B08P847N8W> (Year: 2021).\*  
(Continued)

*Primary Examiner* — Messina L Smith  
*Assistant Examiner* — Aram Kwon

(57) **CLAIM**

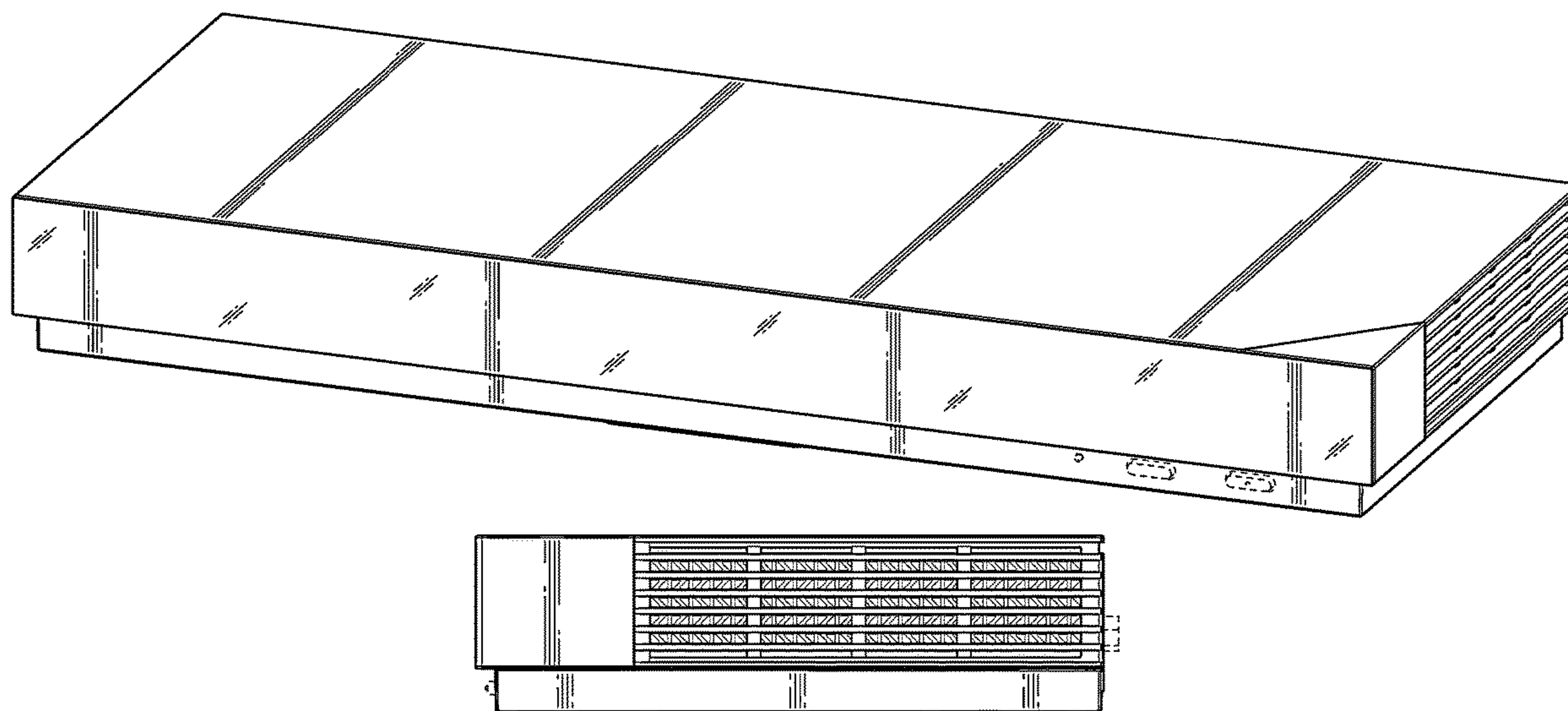
The ornamental design for a video conferencing codec unit, as shown and described.

**DESCRIPTION**

FIG. 1 is a perspective view of a video conferencing codec unit, showing our new design;  
FIG. 2 is a front elevational view of thereof;  
FIG. 3 is a rear elevational view thereof;  
FIG. 4 is a top plan view thereof;  
FIG. 5 is a bottom plan view thereof;  
FIG. 6 is a left side elevational view thereof;  
FIG. 7 is a right side elevational view thereof;  
FIG. 8 is another perspective view of the video conferencing codec unit shown in an alternate configuration;  
FIG. 9 is a front view thereof; and,  
FIG. 10 is a left side elevational view thereof.  
The broken lines depicted in FIGS. 1-10 depict portions of the video conferencing codec unit that form no part of the claimed design.  
The oblique shade lines shown on the front of the unit in FIGS. 1-2 and 8 depict a reflective surface.

**1 Claim, 7 Drawing Sheets**

(56) **References Cited**  
**U.S. PATENT DOCUMENTS**  
D188,461 S \* 7/1960 Pomper ..... D14/188  
D301,476 S \* 6/1989 Scianna, Sr. .... D13/184  
D325,032 S \* 3/1992 Nagele ..... D14/188  
D332,261 S \* 1/1993 Mischenko ..... D14/137  
D380,475 S 7/1997 Rasmussen  
D400,549 S 11/1998 Wakefield  
D416,903 S \* 11/1999 Kizawa ..... D14/188



(56)

**References Cited**

## U.S. PATENT DOCUMENTS

D519,945 S \* 5/2006 Kita ..... D14/125  
D540,793 S 4/2007 Kim et al.  
D594,864 S 6/2009 Song  
D595,735 S 7/2009 Green  
D601,980 S \* 10/2009 Ogawa ..... D14/125  
D620,497 S 7/2010 Hwang Bo et al.  
D624,559 S 9/2010 Chung  
D639,307 S 6/2011 Lee et al.  
D644,247 S 8/2011 Kim et al.  
D644,248 S 8/2011 Kim et al.  
D646,670 S 10/2011 Tysso  
D683,765 S 6/2013 Ahn et al.  
D684,193 S 6/2013 Maier et al.  
D684,594 S 6/2013 Maier et al.  
D711,344 S 8/2014 Aarrestad et al.  
D719,129 S \* 12/2014 Ryu ..... D14/188  
D788,725 S 6/2017 Tompkin et al.

## OTHER PUBLICATIONS

Poly (Polycom) G7500 4k Video Conference Codec, date not available, [retrieved May 21, 2021], Retrieved from Internet, URL: <<https://videoconferencestore.com/video-conferencing/poly-polycom-g7500-4k-video-conference-codec/>> (Year: 2021).\*

Tandberg TTC7-18 Cisco Telepresence System, date not available, [retrieved May 21, 2021], Retrieved from Internet, URL: <<https://www.itresale.co.uk/product/tandberg-ttc7-18-cisco-telepresence-system-quick-set-c20-unit-only/>> (Year: 2021).\*

\* cited by examiner

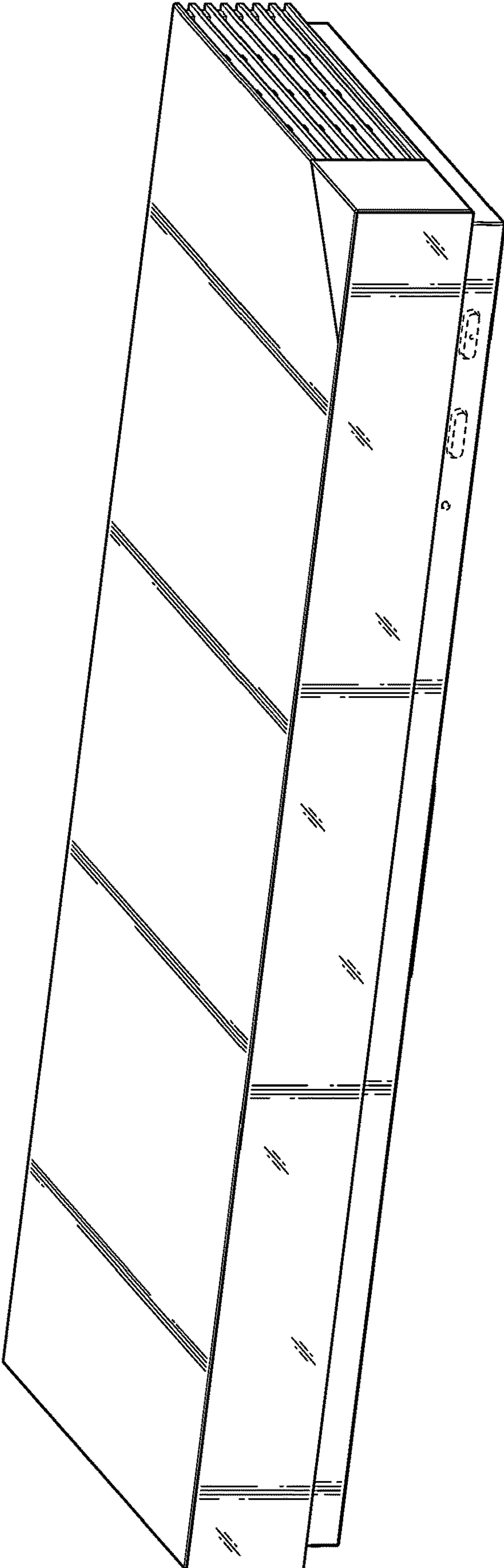


FIG. 1

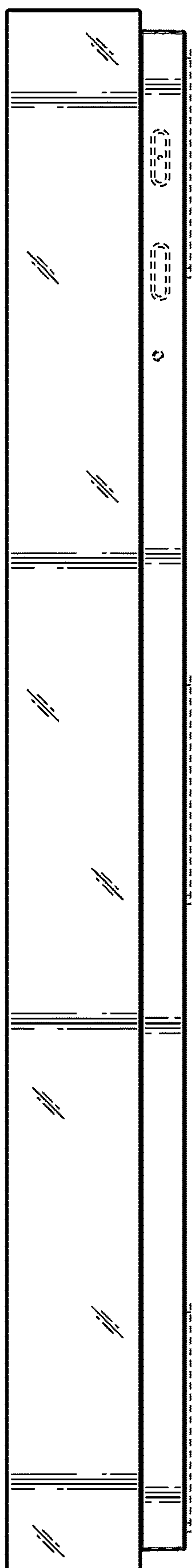


FIG. 2

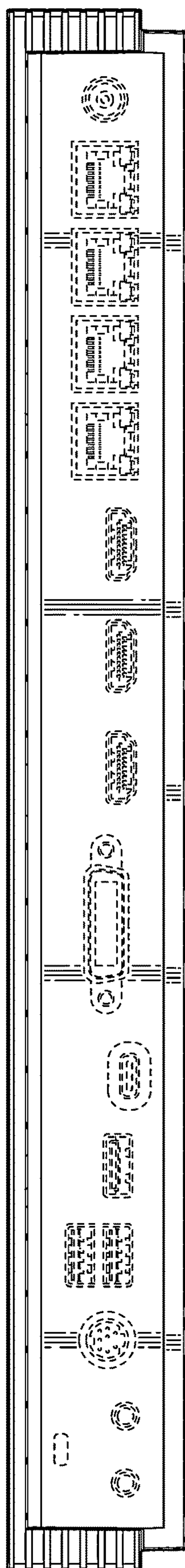
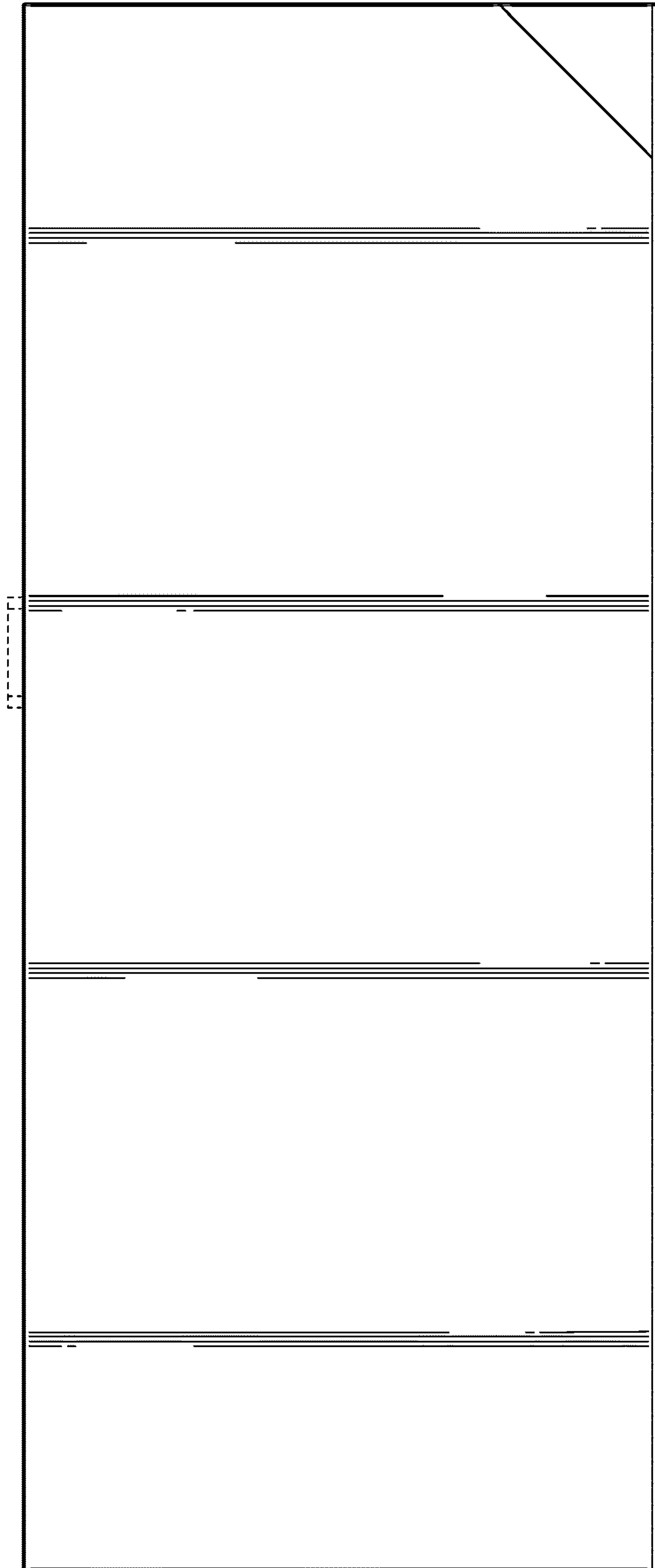


FIG. 3





**FIG. 4**

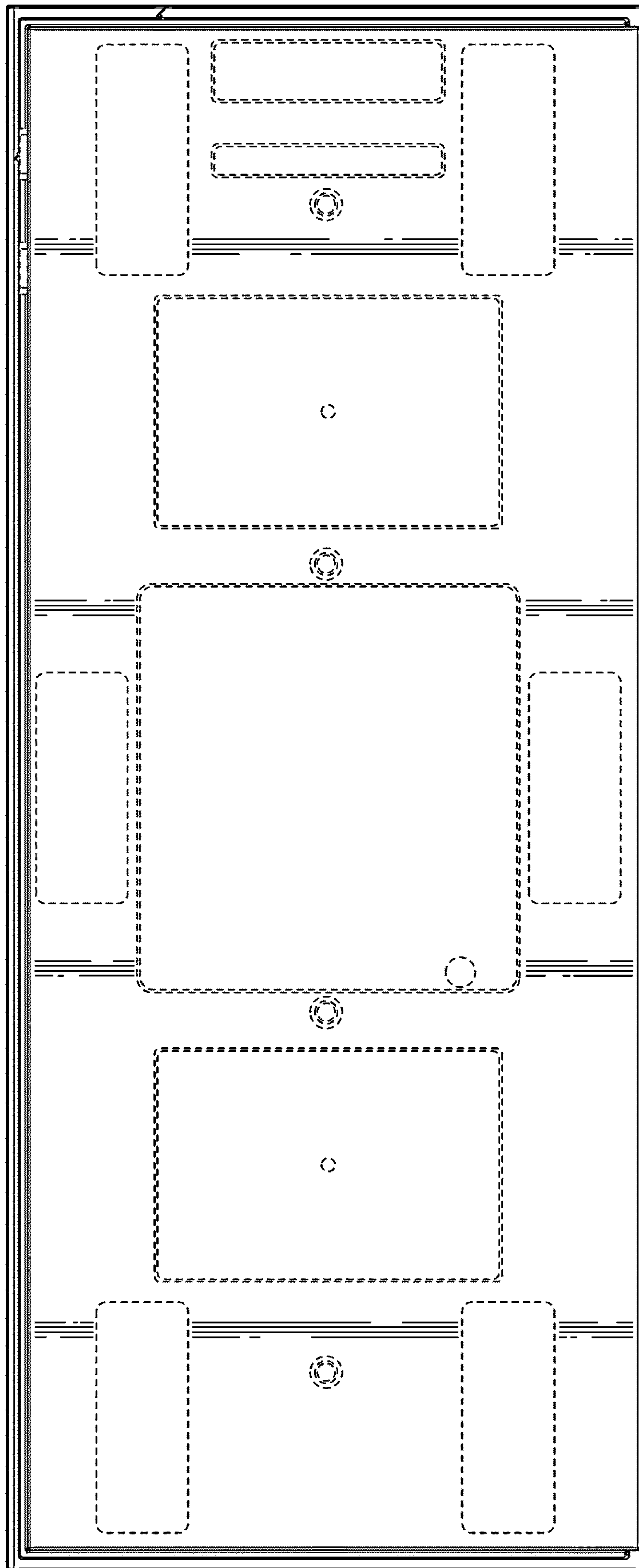
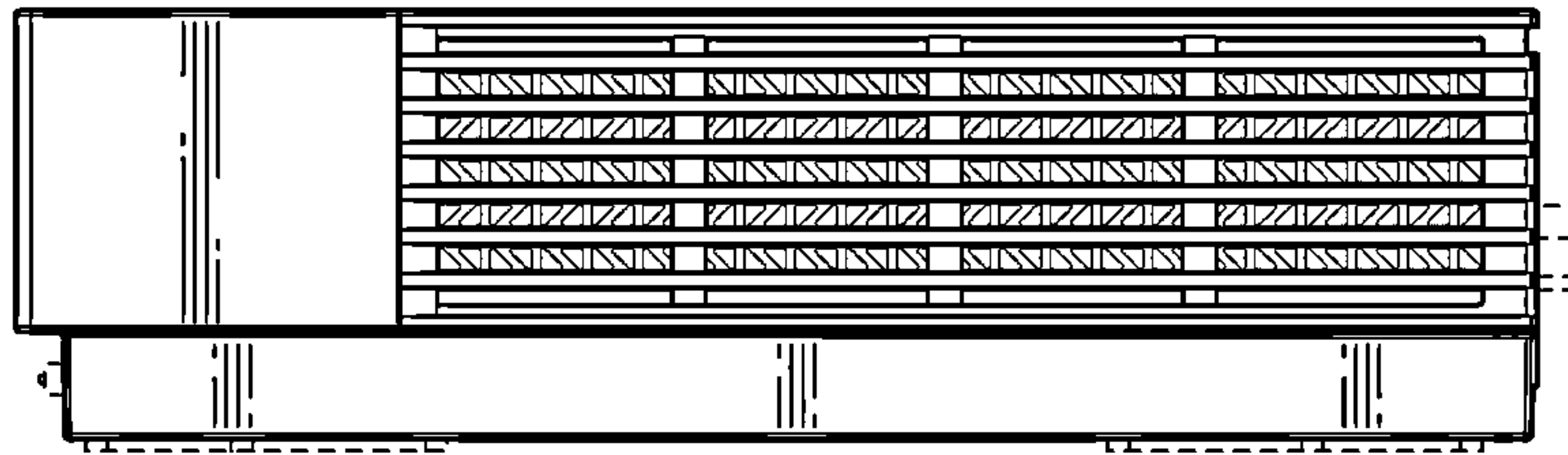
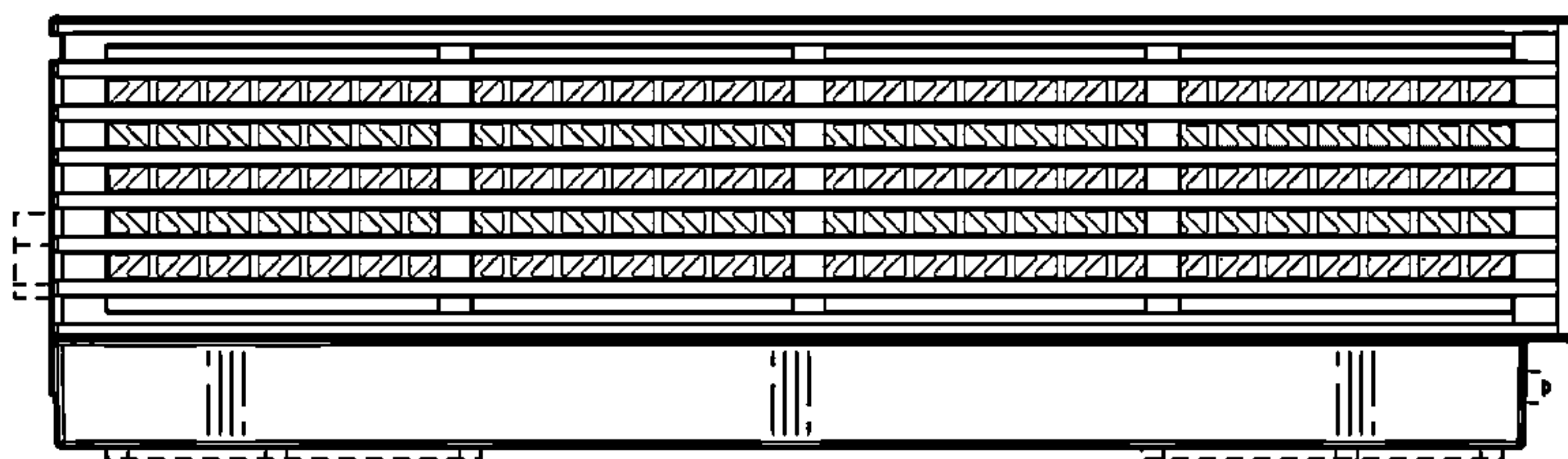


FIG. 5



**FIG. 6**



**FIG. 7**

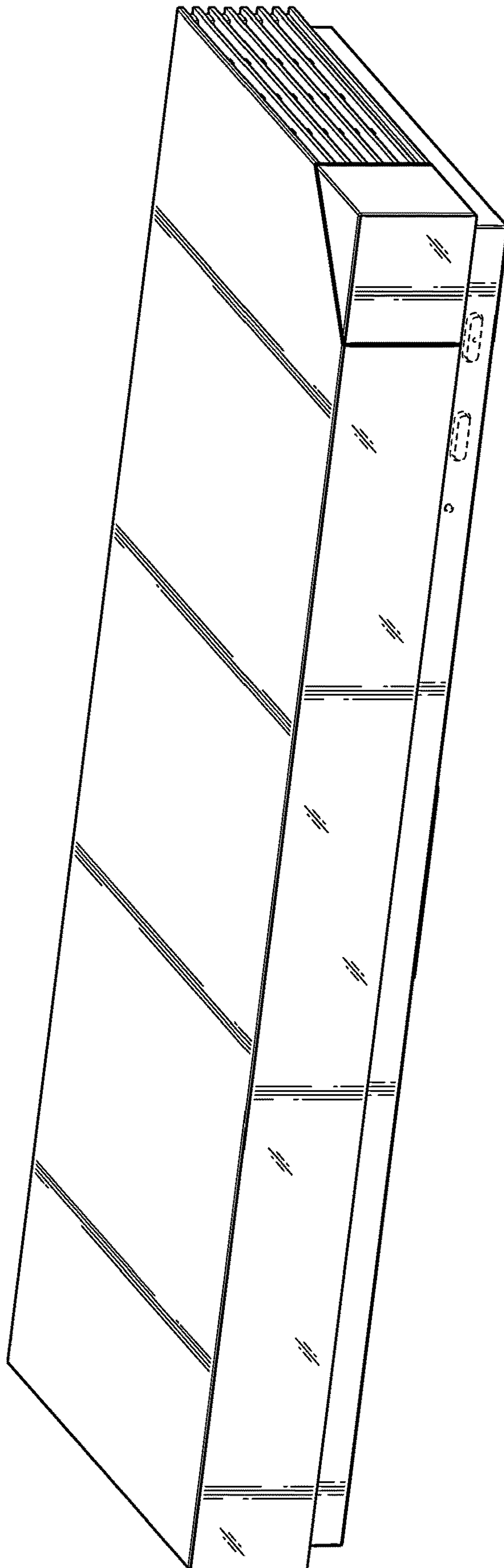


FIG. 8



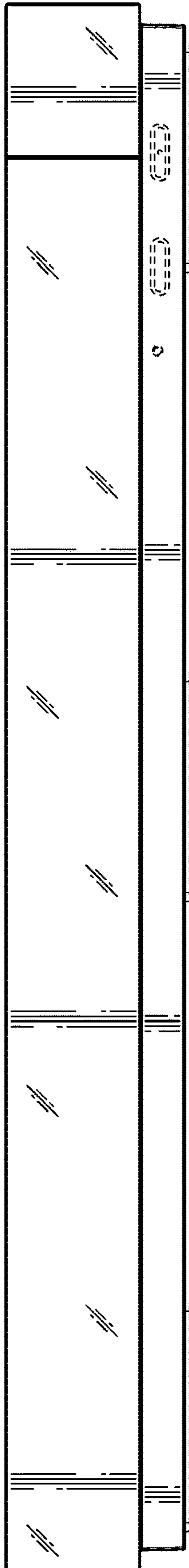


FIG. 9

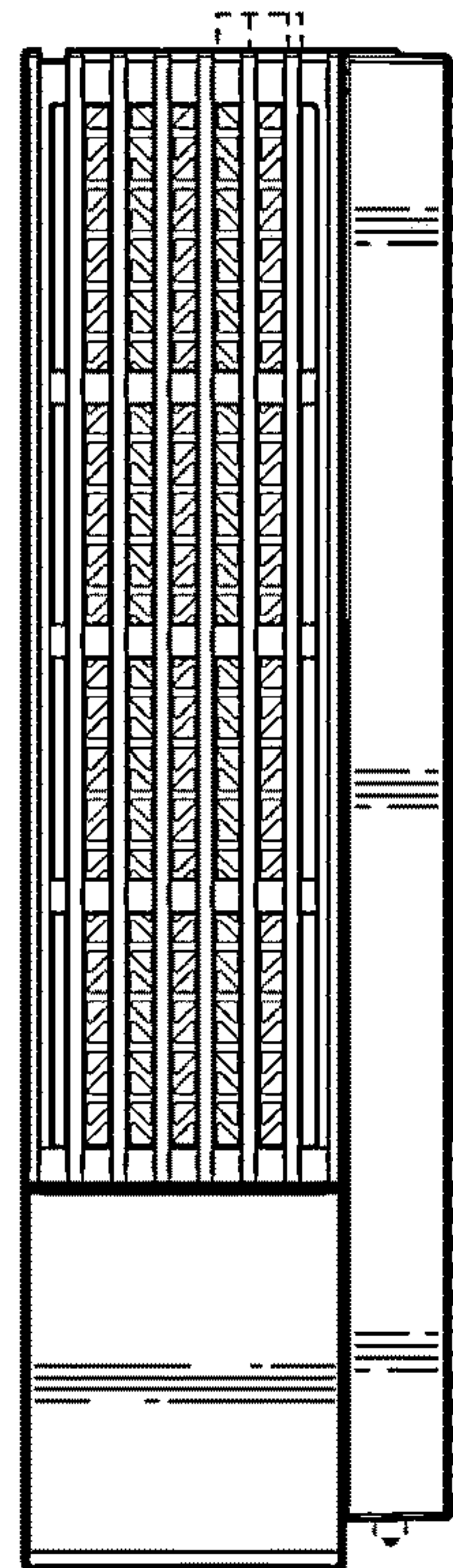


FIG. 10