



US00D970457S

(12) **United States Design Patent** (10) **Patent No.:** **US D970,457 S**  
**Aramaki et al.** (45) **Date of Patent:** **\*\* Nov. 22, 2022**

(54) **CAPACITIVE SENSOR**  
(71) Applicant: **Mitsubishi Electric Corporation**,  
Tokyo (JP)  
(72) Inventors: **Toru Aramaki**, Tokyo (JP); **Tomokazu Ogomi**, Tokyo (JP); **Hideki Matsui**, Tokyo (JP); **Hiroshi Koike**, Tokyo (JP)  
(73) Assignee: **Mitsubishi Electric Corporation**,  
Tokyo (JP)  
(\*\*) Term: **15 Years**

5,184,107 A \* 2/1993 Maurer ..... G01L 19/147  
D13/101  
D336,889 S \* 6/1993 Boyer ..... D13/101  
D348,042 S \* 6/1994 Cook ..... D13/101  
D362,258 S \* 9/1995 Izumi ..... D16/219  
D362,259 S \* 9/1995 Izumi ..... D16/219  
D468,683 S \* 1/2003 Maurer ..... D13/101  
D546,274 S \* 7/2007 Yonehara ..... D13/101  
D546,275 S \* 7/2007 Yonehara ..... D13/101  
7,353,711 B2 \* 4/2008 O'Dowd ..... G01L 13/025  
73/753  
D578,062 S \* 10/2008 Gotoh ..... D13/101  
7,533,573 B2 \* 5/2009 Silverbrook ..... G01L 9/125  
73/718

(Continued)

(21) Appl. No.: **29/677,445**

FOREIGN PATENT DOCUMENTS

(22) Filed: **Jan. 21, 2019**

JP 2015059845 A \* 3/2015

(30) **Foreign Application Priority Data**

*Primary Examiner* — Richard E Chilcot

Aug. 21, 2018 (JP) ..... 2018-018128  
Aug. 21, 2018 (JP) ..... 2018-018129

(74) *Attorney, Agent, or Firm* — Studebaker & Brackett  
PC

(51) **LOC (13) Cl.** ..... **13-02**

(57) **CLAIM**

(52) **U.S. Cl.**  
USPC ..... **D13/158**  
CPC ..... **G01L 9/0054** (2013.01)

The ornamental design for a capacitive sensor, as shown and described.

(58) **Field of Classification Search**  
USPC ..... D13/101, 110, 117, 123, 124, 158, 159,  
D13/182, 184, 199; D14/217, 222;  
73/146, 754, 715  
CPC . G01L 9/0054; G01L 19/142; G01L 19/0645;  
G01L 19/069; H01L 2924/0002; H01L  
2924/3025; H01L 2924/10253; H01L  
2924/00

**DESCRIPTION**

See application file for complete search history.

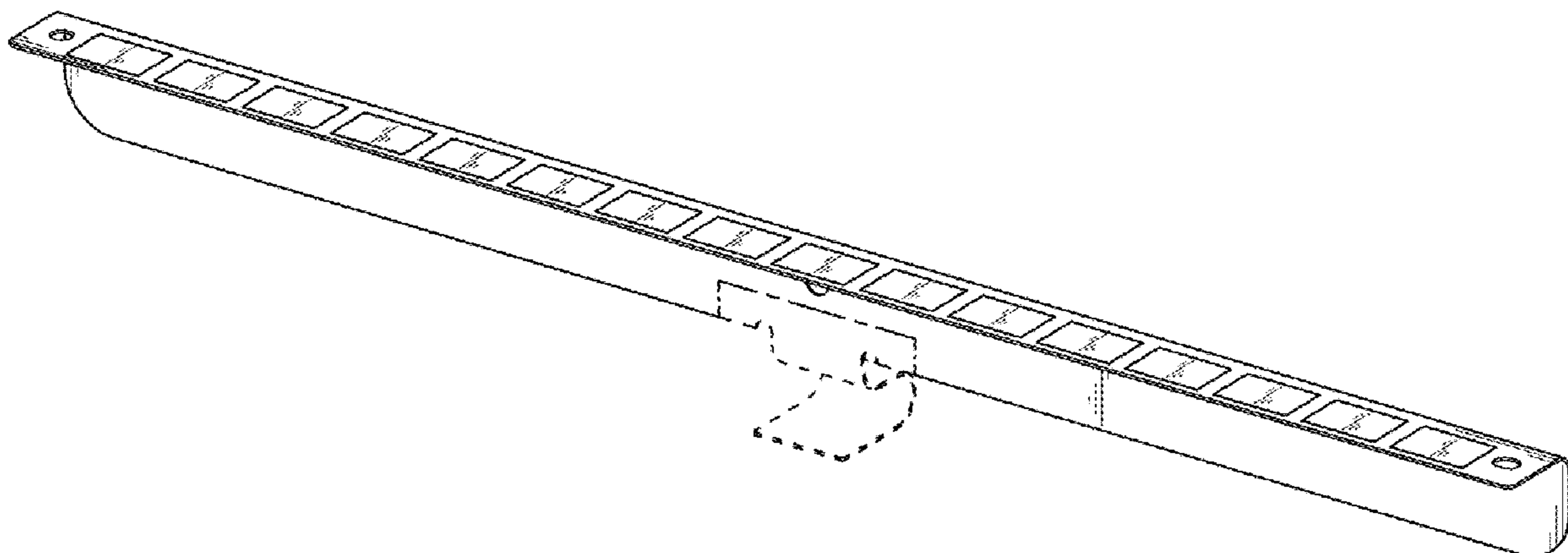
FIG. 1. is a perspective view of the front, right, and top sides of a capacitive sensor showing our new design;  
FIG. 2. is a front view thereof;  
FIG. 3. is a rear view thereof;  
FIG. 4. is a right side view thereof, a left side view being a mirror image thereof;  
FIG. 5. is a top plan view thereof; and,  
FIG. 6. is a bottom plan view thereof.  
The broken lines shown represent portions of the capacitive sensor and form no part of the claimed design.  
The dash-dot lines represent the boundary between the claimed design and unclaimed design and form no part of the claimed design.

(56) **References Cited**

U.S. PATENT DOCUMENTS

4,236,137 A \* 11/1980 Kurtz ..... G01L 9/0042  
257/419  
D318,646 S \* 7/1991 Karbassi ..... D13/101  
5,125,275 A \* 6/1992 Wilda ..... G01L 19/147  
73/756

**1 Claim, 6 Drawing Sheets**



(56)

**References Cited**

U.S. PATENT DOCUMENTS

7,841,238 B2 \* 11/2010 Silverbrook ..... G01L 9/0075  
361/283.4  
8,322,205 B2 \* 12/2012 Silverbrook ..... H01L 29/66007  
73/146  
9,265,428 B2 \* 2/2016 O'Brien ..... A61B 5/02014  
9,733,142 B2 \* 8/2017 Ishikawa ..... G01L 9/0054  
10,119,875 B2 \* 11/2018 Chiou ..... G01B 7/16  
D867,288 S \* 11/2019 Claeys ..... D13/110  
D945,293 S \* 3/2022 Giusti ..... D10/103  
D945,295 S \* 3/2022 Giusti ..... D10/103  
D957,335 S \* 7/2022 Hu ..... D13/110  
D957,336 S \* 7/2022 Hu ..... D13/110

\* cited by examiner

Fig.1

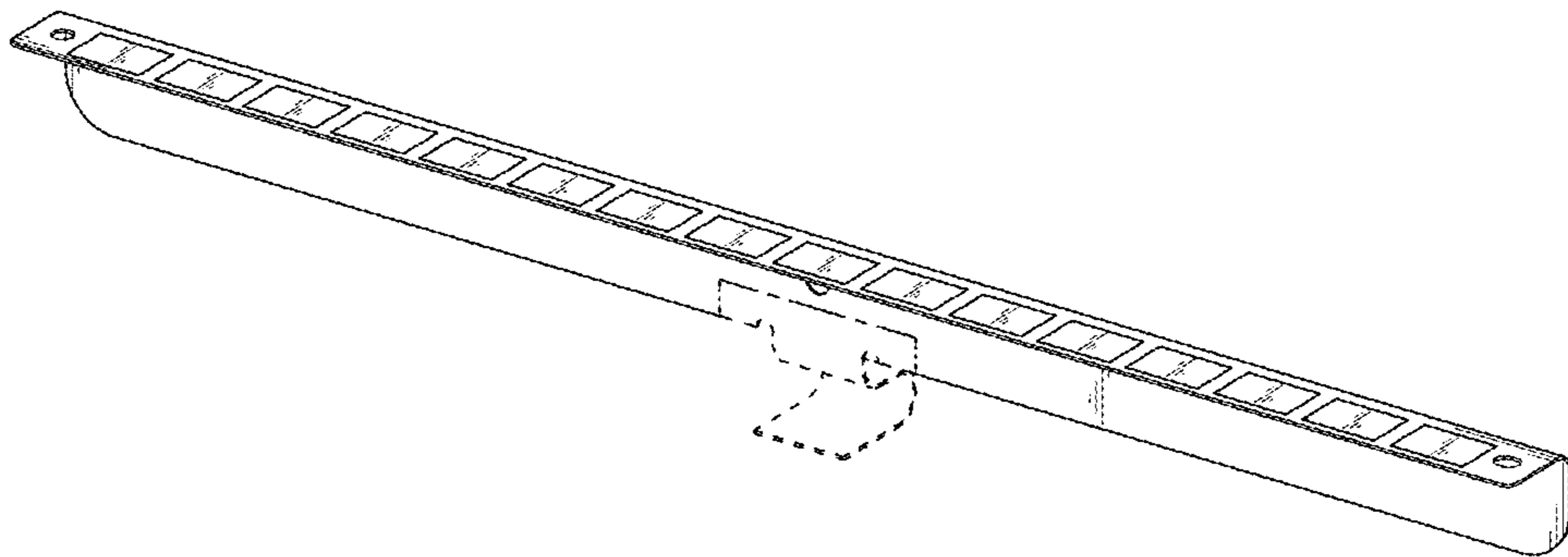


Fig.2

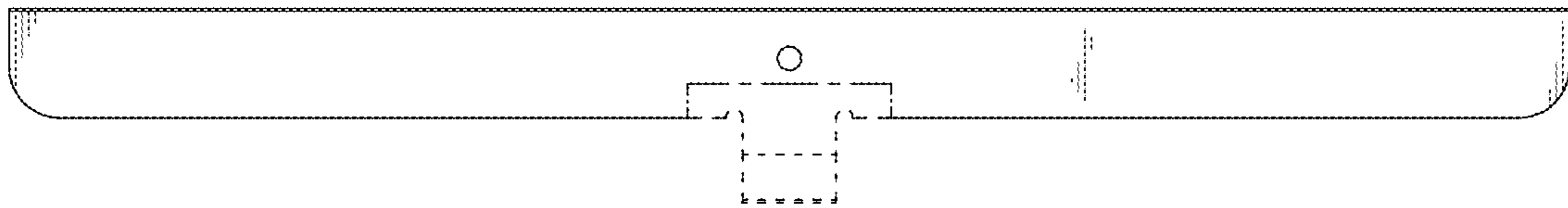


Fig.3

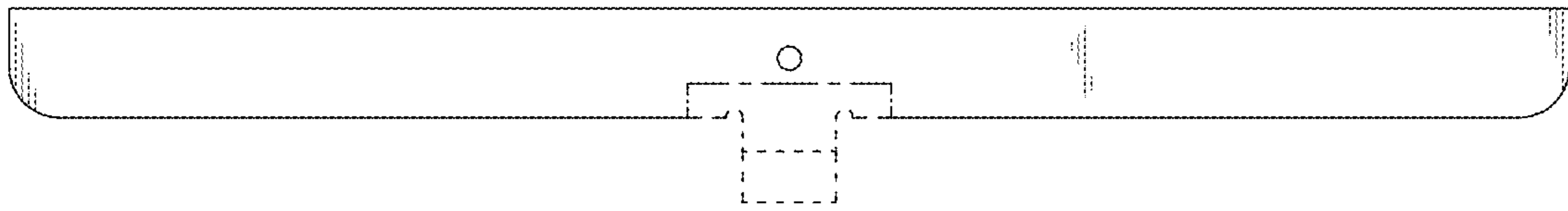


Fig.4

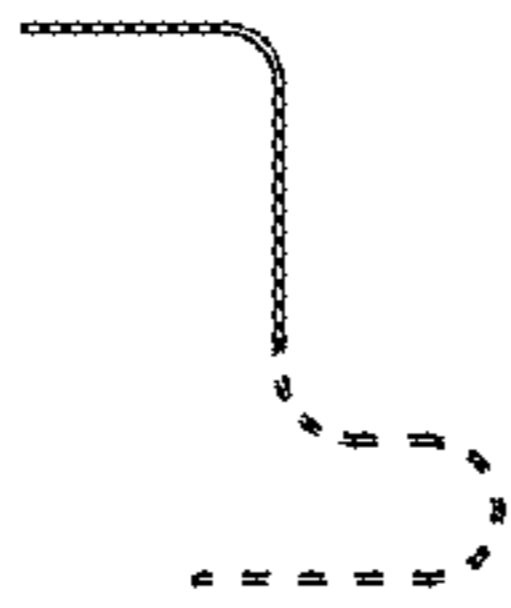


Fig.5

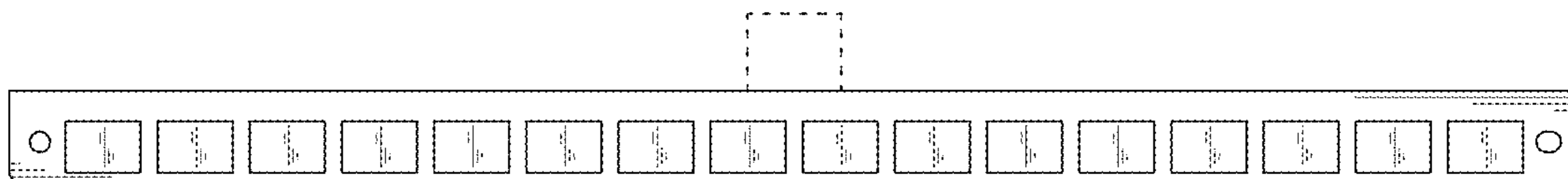


Fig.6

