



US00D970452S

(12) **United States Design Patent**
Shimomaki

(10) **Patent No.:** **US D970,452 S**

(45) **Date of Patent:** **** Nov. 22, 2022**

(54) **CONNECTOR**

(71) Applicant: **Japan Aviation Electronics Industry, Limited**, Tokyo (JP)

(72) Inventor: **Yuta Shimomaki**, Tokyo (JP)

(73) Assignee: **JAPAN AVIATION ELECTRONICS INDUSTRY, LIMITED**, Tokyo (JP)

(**) Term: **15 Years**

(21) Appl. No.: **29/745,302**

(22) Filed: **Aug. 5, 2020**

(30) **Foreign Application Priority Data**

Feb. 14, 2020 (JP) 2020-002843 D

(51) **LOC (13) Cl.** **13-03**

(52) **U.S. Cl.**
USPC **D13/147**; D13/133; D13/146

(58) **Field of Classification Search**
USPC D13/119-120, 133-134, 146-147, 149,
D13/153-154, 174, 182, 199; D14/433
CPC .. H01R 13/521; H01R 13/6594; H01R 24/60;
H01R 43/24
See application file for complete search history.

(56) **References Cited**

U.S. PATENT DOCUMENTS

D556,690 S	*	12/2007	Ikegami	D13/147
D616,829 S	*	6/2010	Wang	D13/147
D622,223 S	*	8/2010	Xiong	D13/147
D626,510 S	*	11/2010	Kondo	D13/147
D718,252 S	*	11/2014	Kawamura	D13/147
D772,165 S	*	11/2016	Chien	D13/147
D907,582 S	*	1/2021	Oosaka	D13/147

10,944,229 B2	*	3/2021	Su	H01R 43/24
11,211,731 B2	*	12/2021	Oosaka	H01R 24/60
2015/0311645 A1	*	10/2015	Chang	H01R 13/6594 439/607.28
2017/0040748 A1	*	2/2017	Tsai	H01R 24/60
2017/0179634 A1	*	6/2017	Du	H01R 13/521
2017/0187140 A1	*	6/2017	Tsai	H01R 24/60

* cited by examiner

Primary Examiner — Shawn T Gingrich

Assistant Examiner — Bryan N. Melvin

(74) *Attorney, Agent, or Firm* — Manabu Kanesaka

(57) **CLAIM**

The ornamental design for a connector, as shown and described.

DESCRIPTION

FIG. 1 is a front elevational view of a connector showing my new design;

FIG. 2 is a rear elevational view thereof;

FIG. 3 is a right side elevational view thereof;

FIG. 4 is a left side elevational view thereof;

FIG. 5 is a top plan view thereof;

FIG. 6 is a bottom plan view thereof;

FIG. 7 is a perspective view showing a front, top and right side thereof;

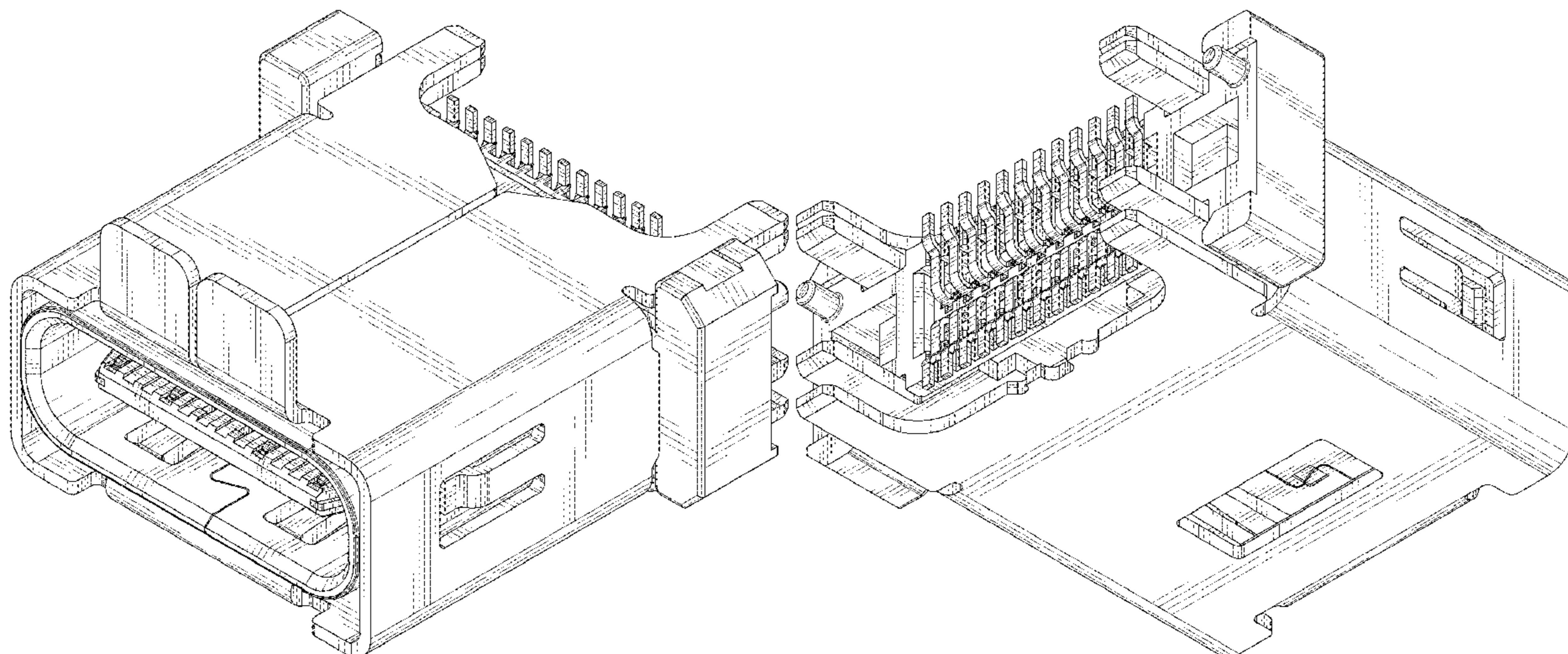
FIG. 8 is a perspective view showing a rear, bottom and left side thereof;

FIG. 9 is a perspective view showing a front, right and bottom side thereof; and,

FIG. 10 is a perspective view showing a rear, left and top side thereof.

The broken line showing of the connector is for the purpose of illustrating portions of the article and forms no part of the claimed design.

1 Claim, 7 Drawing Sheets



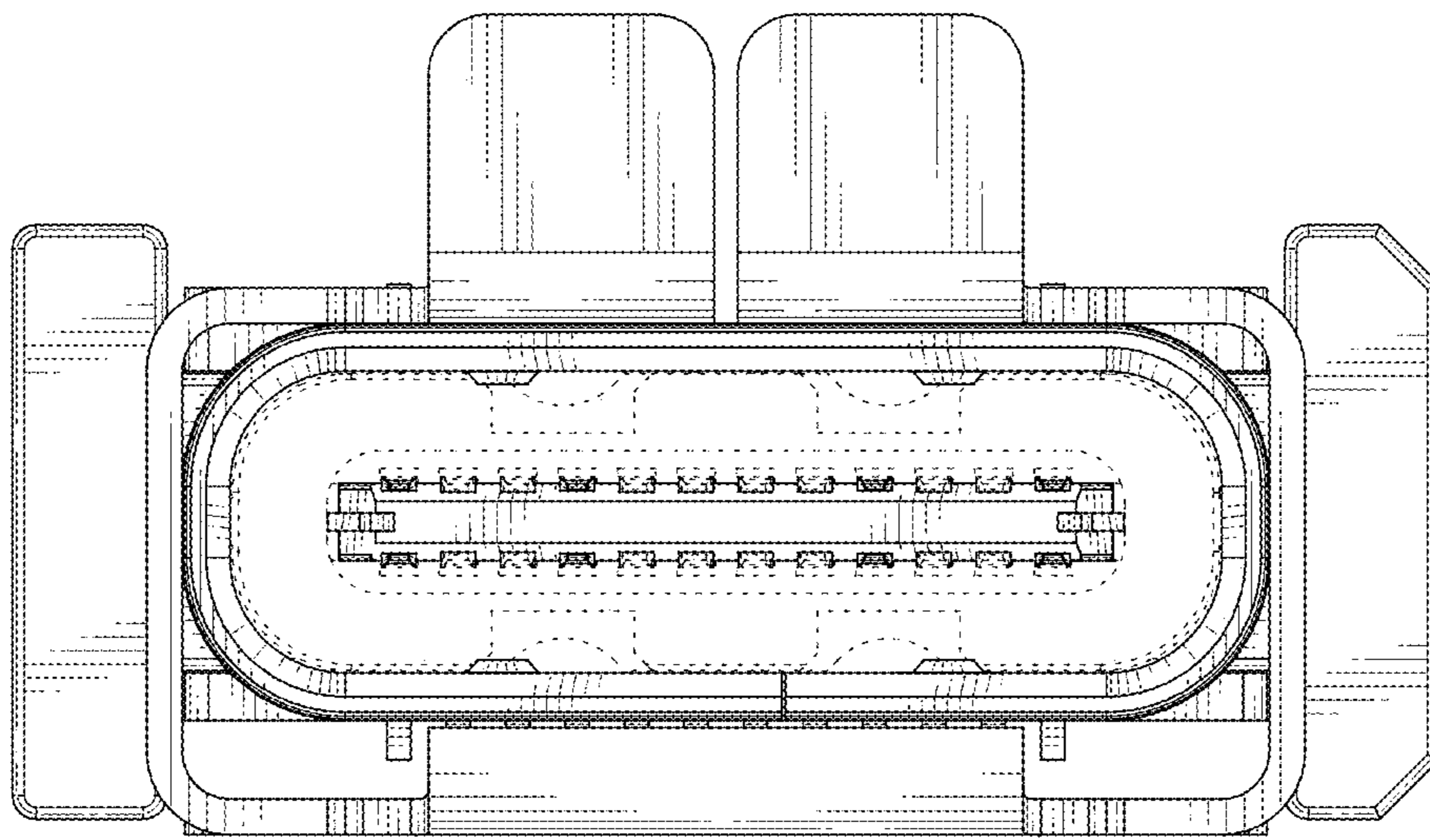


FIG. 1

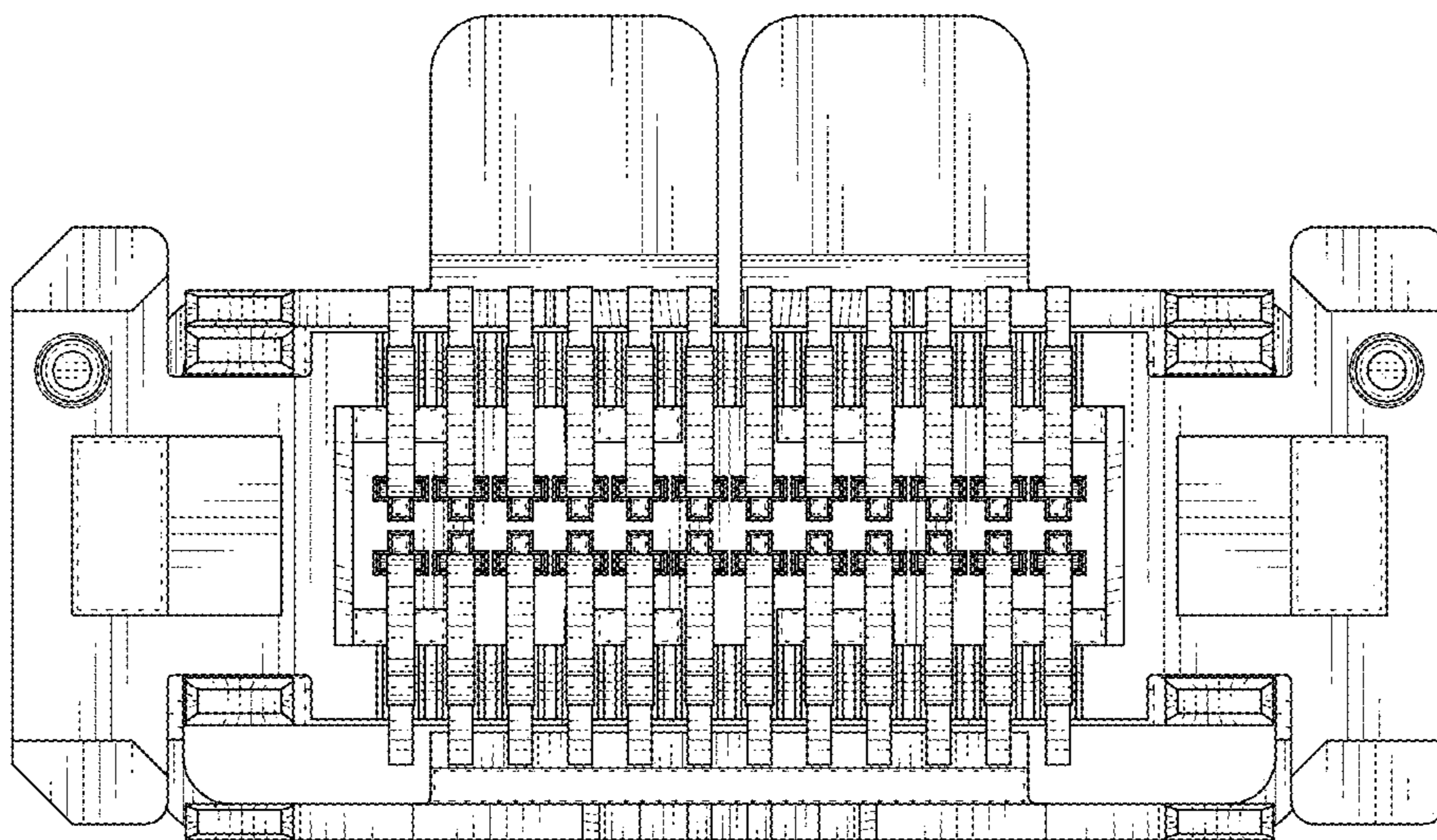


FIG. 2

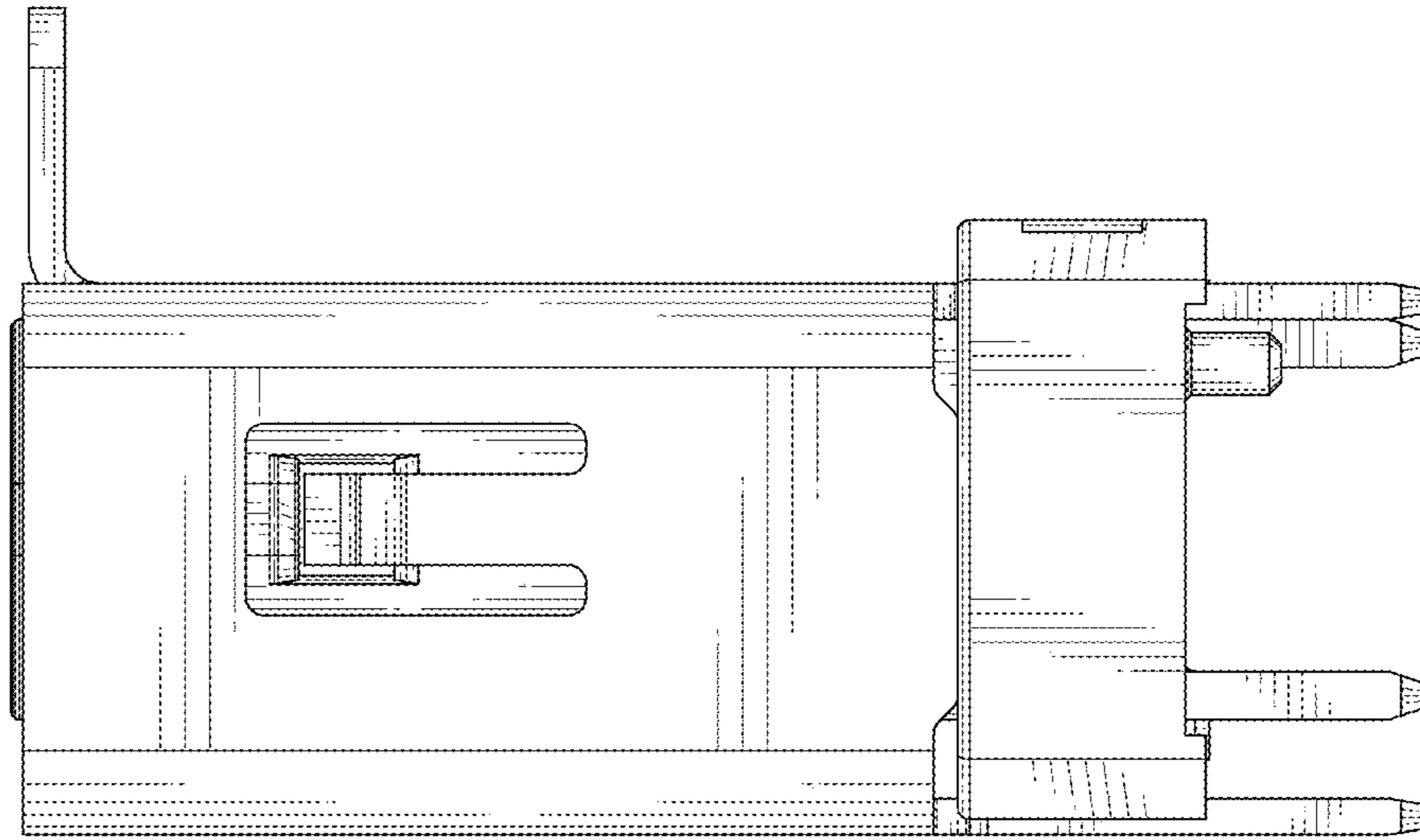


FIG. 3

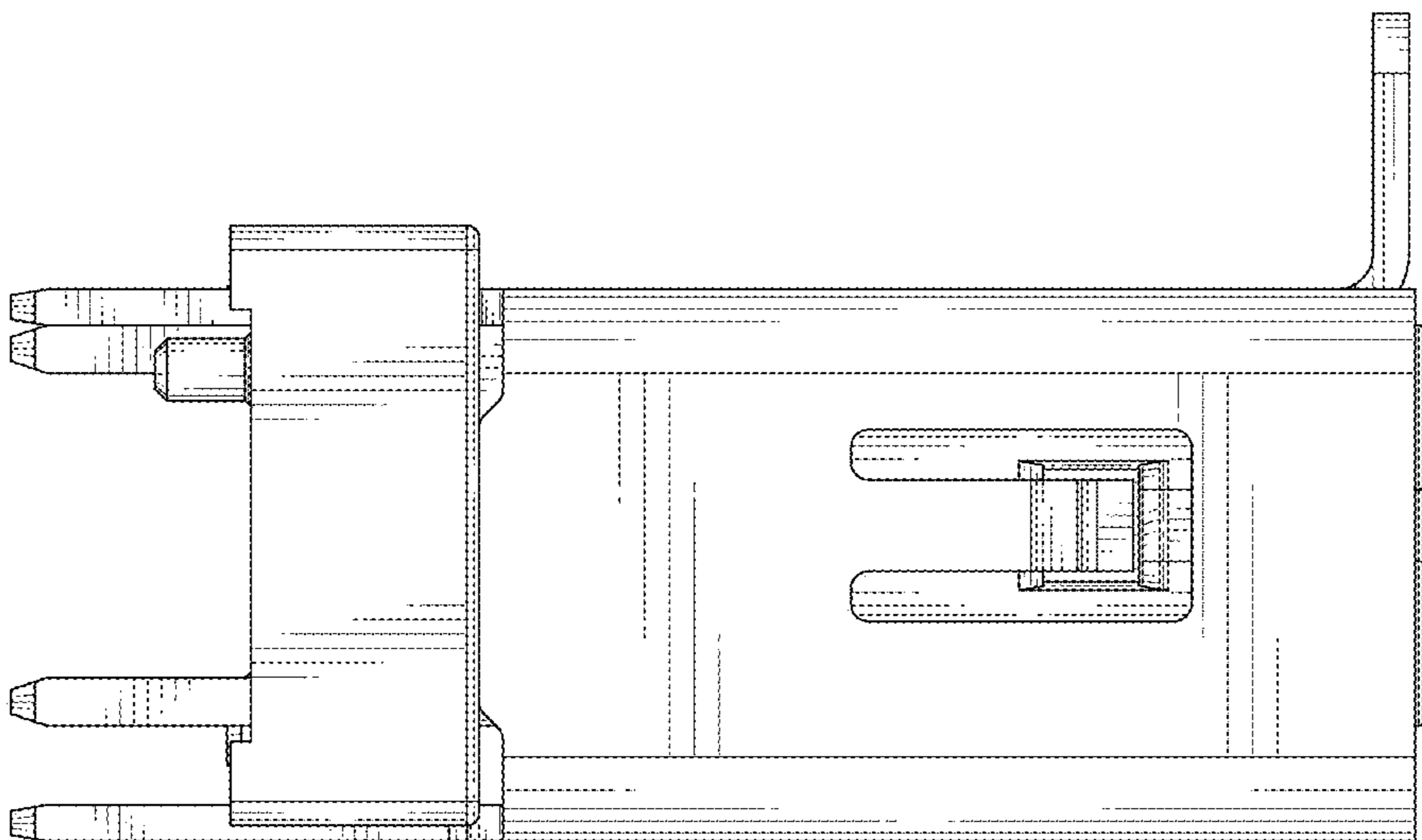


FIG. 4

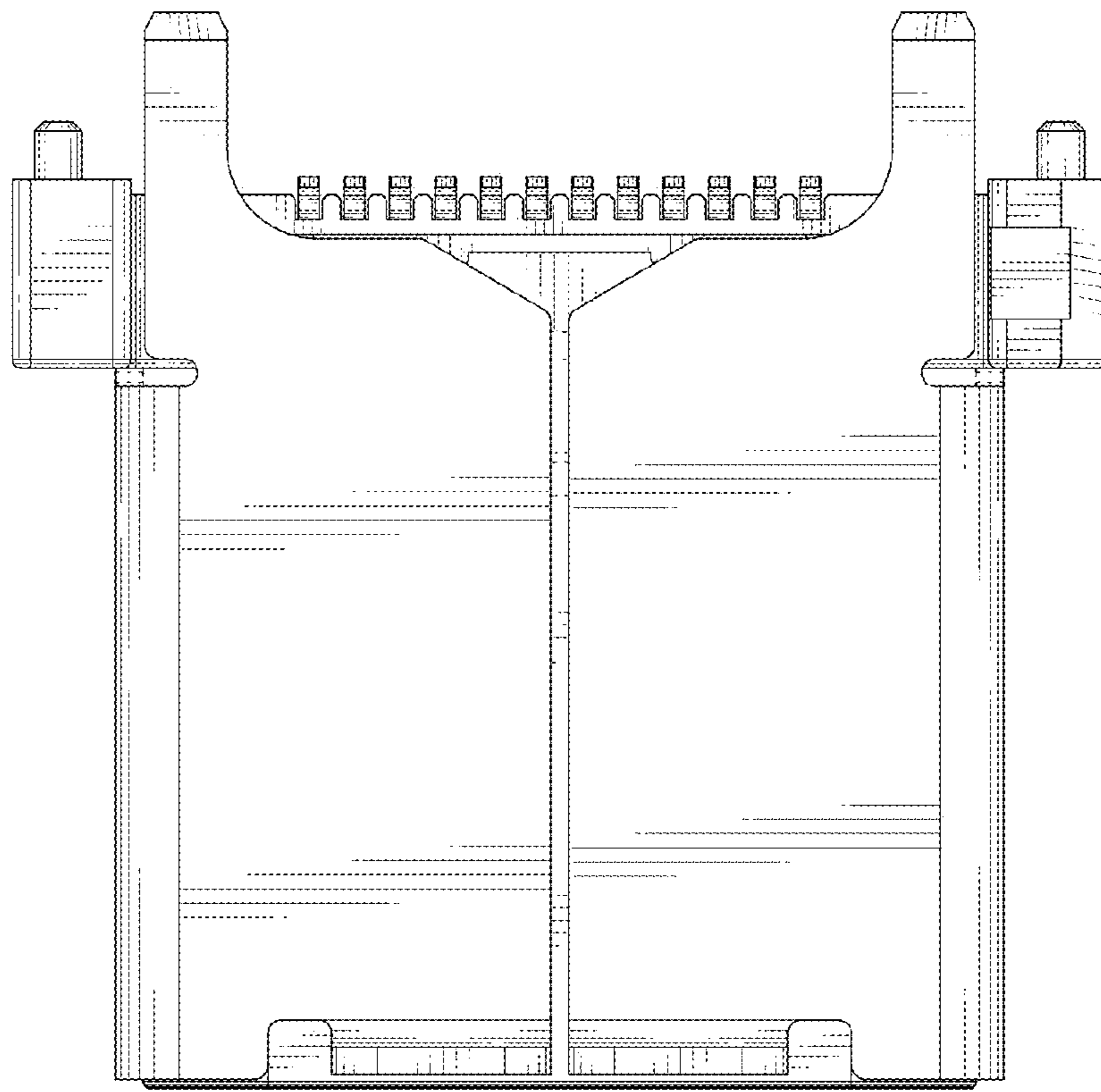


FIG. 5

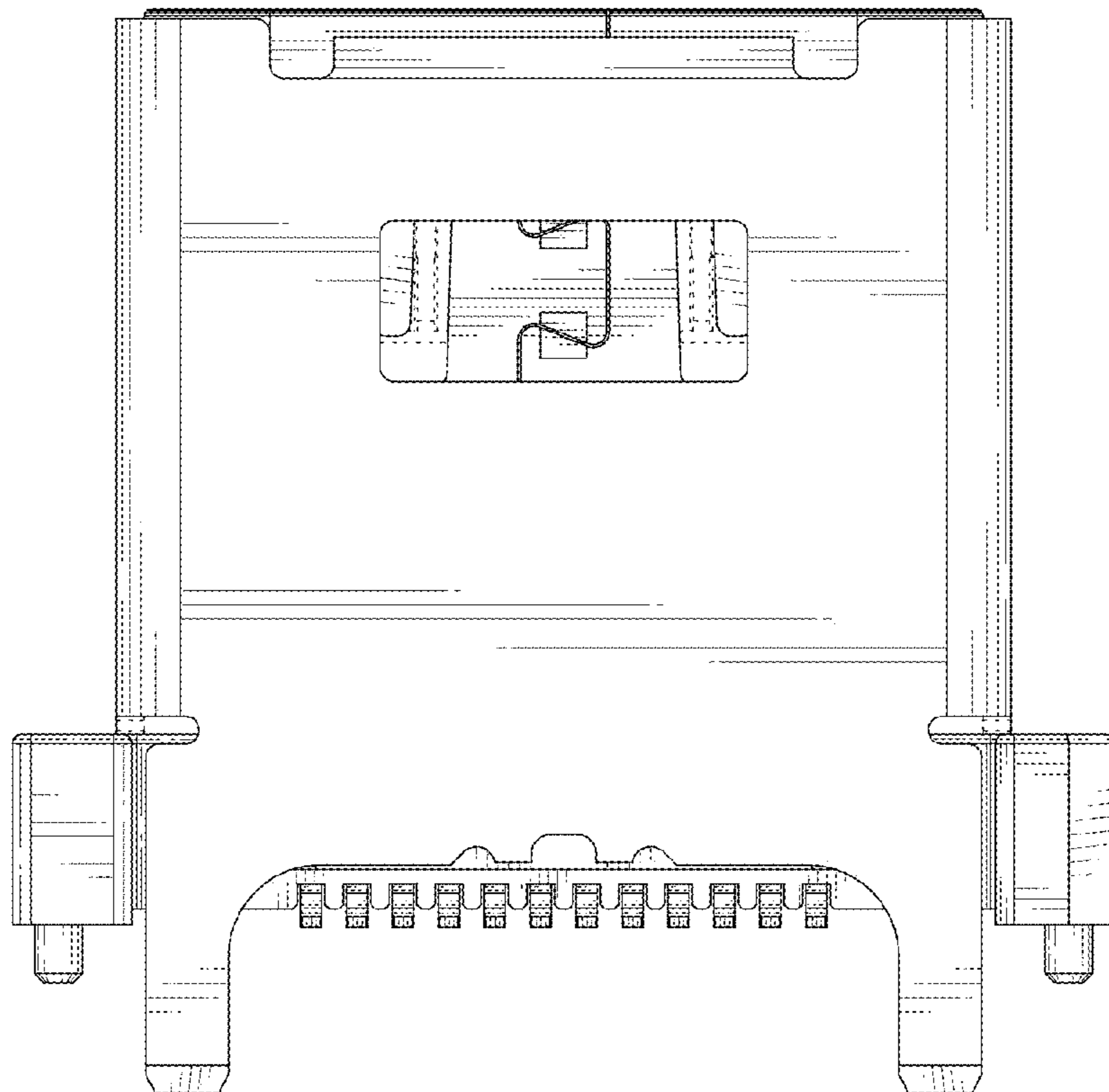


FIG. 6

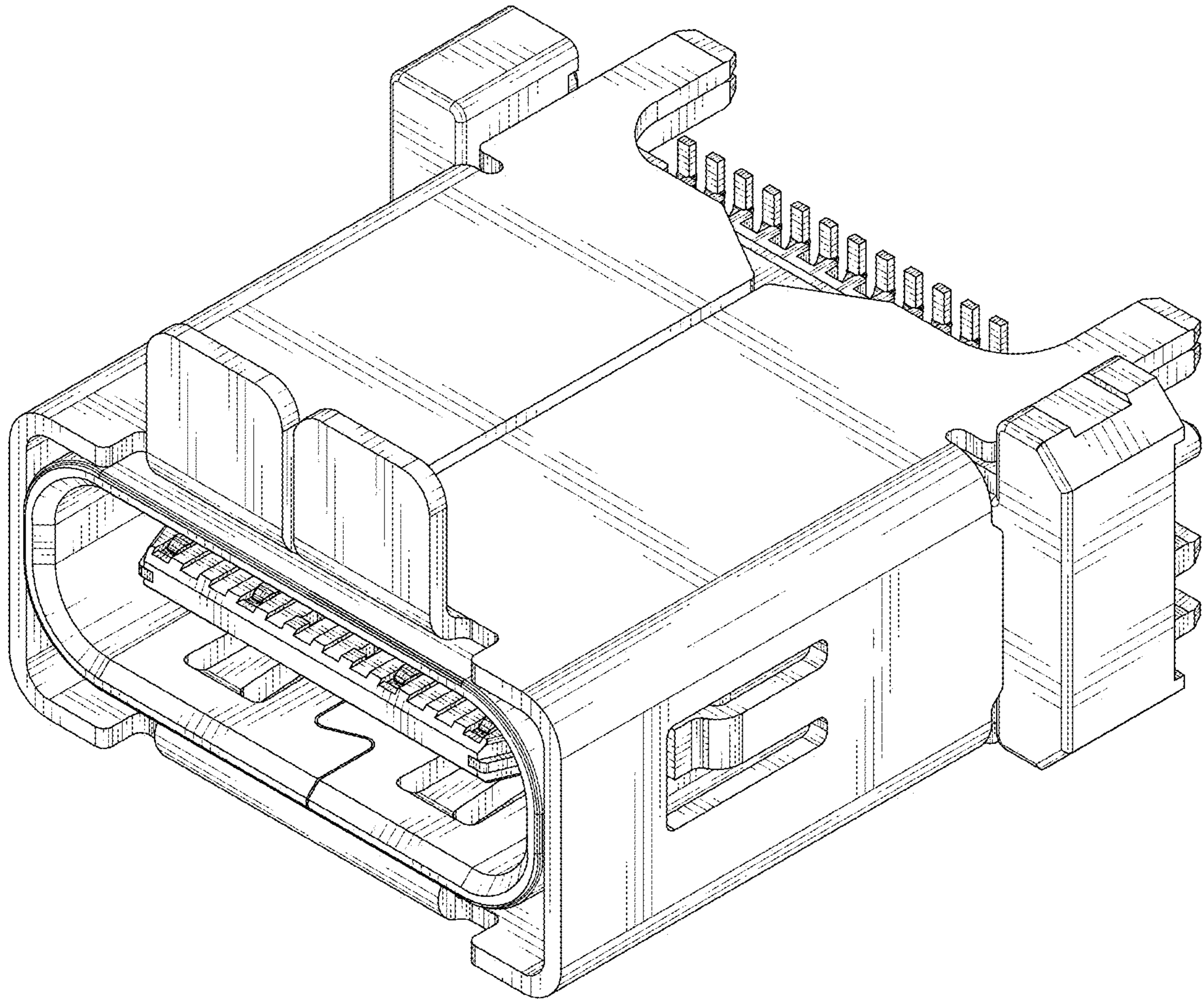


FIG. 7

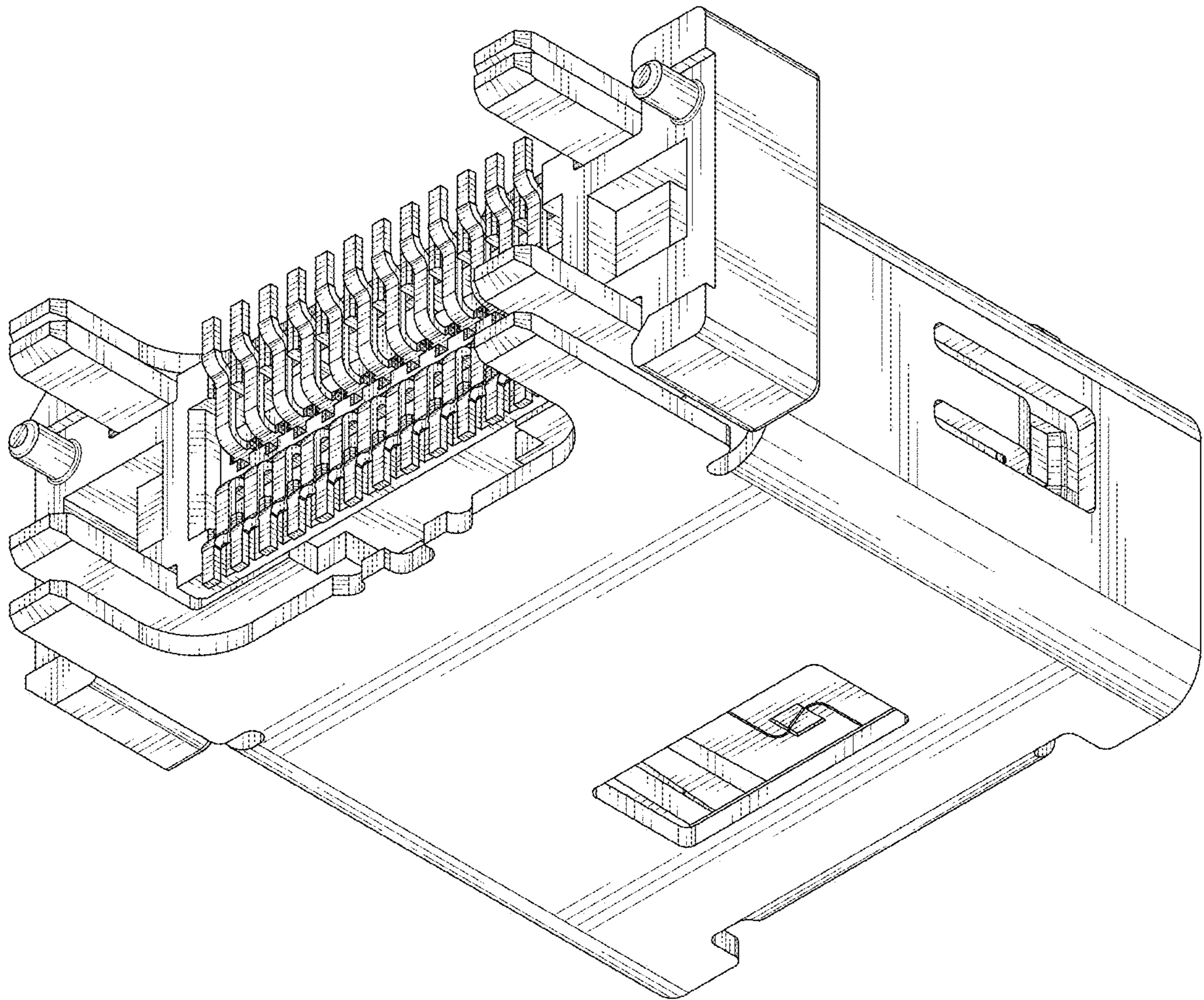


FIG. 8

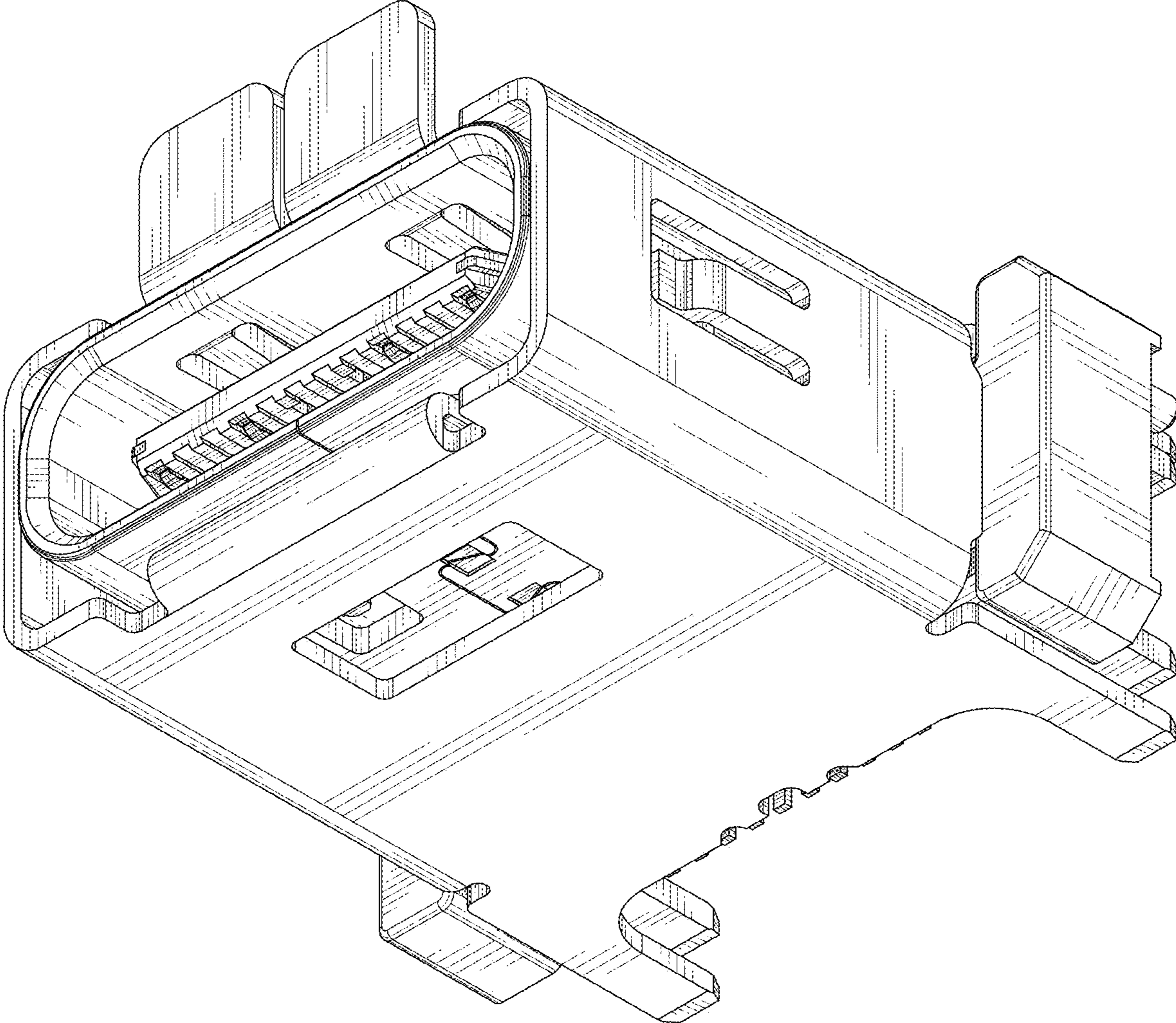


FIG. 9

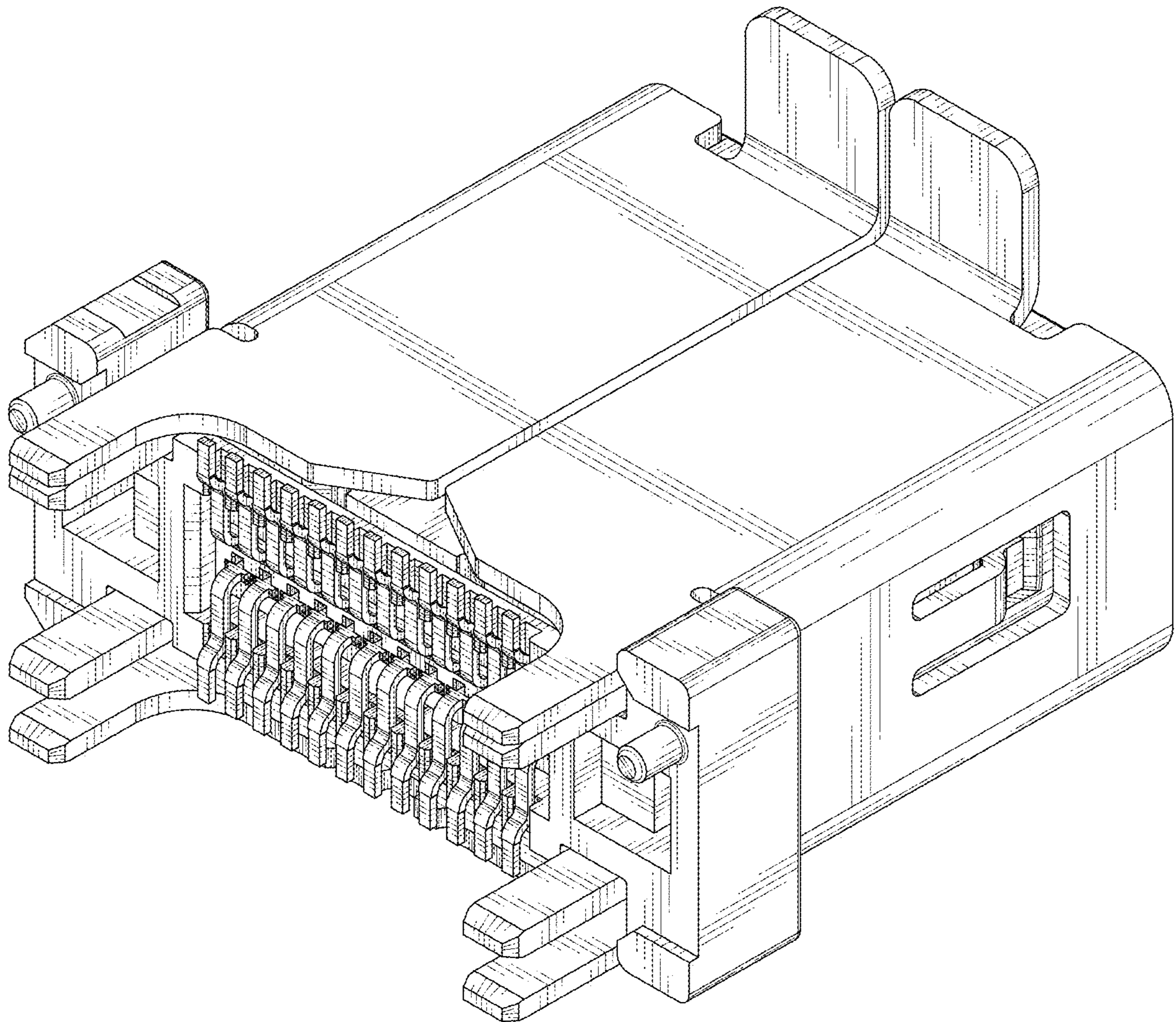


FIG. 10