



US00D970451S

(12) **United States Design Patent**
Liang

(10) **Patent No.:** **US D970,451 S**

(45) **Date of Patent:** **** Nov. 22, 2022**

(54) **CAR CHARGER**

(71) Applicant: **Zhejiang Desuoer Health Technology Co., Ltd., Ningbo (CN)**

(72) Inventor: **Mingyong Liang, Ningbo (CN)**

(73) Assignee: **Zhejiang Desuoer Health Technology Co., Ltd., Ningbo (CN)**

(**) Term: **15 Years**

(21) Appl. No.: **29/830,011**

(22) Filed: **Mar. 9, 2022**

(30) **Foreign Application Priority Data**

Dec. 31, 2021 (CN) 202130882198.1

(51) **LOC (13) Cl.** **13-03**

(52) **U.S. Cl.**
USPC **D13/144**

(58) **Field of Classification Search**
USPC D13/144, 110; D14/155
CPC H01R 31/02; H01R 31/065
See application file for complete search history.

(56) **References Cited**

U.S. PATENT DOCUMENTS

D330,700 S * 11/1992 Wharton D13/170
D528,077 S * 9/2006 Yuen D13/144

D548,719 S * 8/2007 Dayan D14/155
D556,730 S * 12/2007 Yokoyama D14/155
D625,266 S 10/2010 Bau
7,956,496 B1 * 6/2011 Pasley H01H 43/04
307/141
D734,720 S * 7/2015 Alesi D13/110
D802,536 S * 11/2017 Shang D13/144
D807,299 S 1/2018 Uggla
D914,611 S * 3/2021 Li D13/144
D958,085 S * 7/2022 Liu D13/144

* cited by examiner

Primary Examiner — Jennifer O King

(74) *Attorney, Agent, or Firm* — Georgi Korobanov

(57) **CLAIM**

The ornamental design for a car charger, as shown and described.

DESCRIPTION

FIG. 1 is a perspective view of a car charger, showing my new design;

FIG. 2 is a front view thereof;

FIG. 3 is a rear view thereof;

FIG. 4 is a left side view thereof;

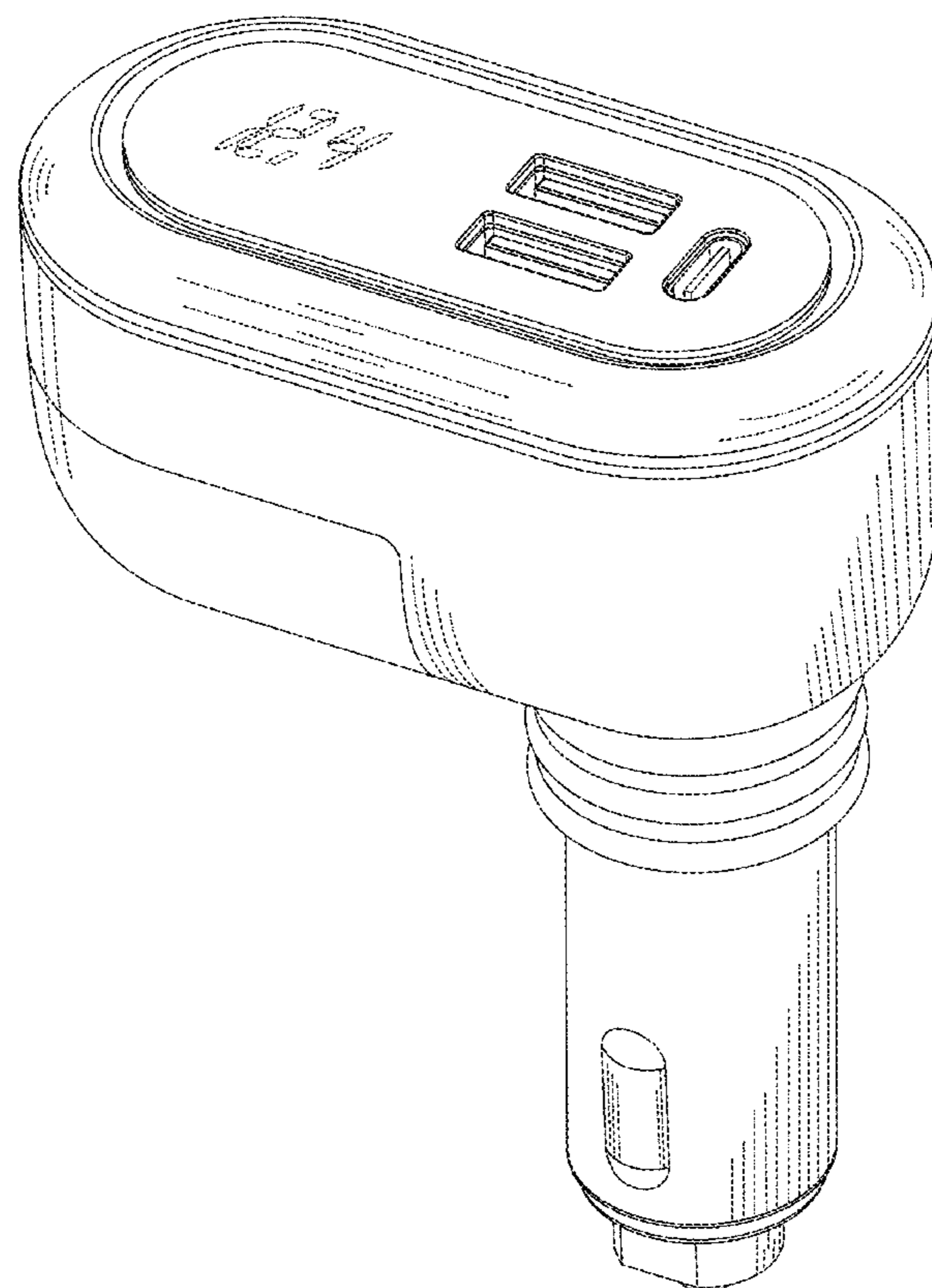
FIG. 5 is a right side view thereof;

FIG. 6 is a top plan view thereof; and,

FIG. 7 is a bottom plan view thereof.

The broken line showing of the car charger is for the purpose of illustrating article and forms no part of the claimed design.

1 Claim, 7 Drawing Sheets



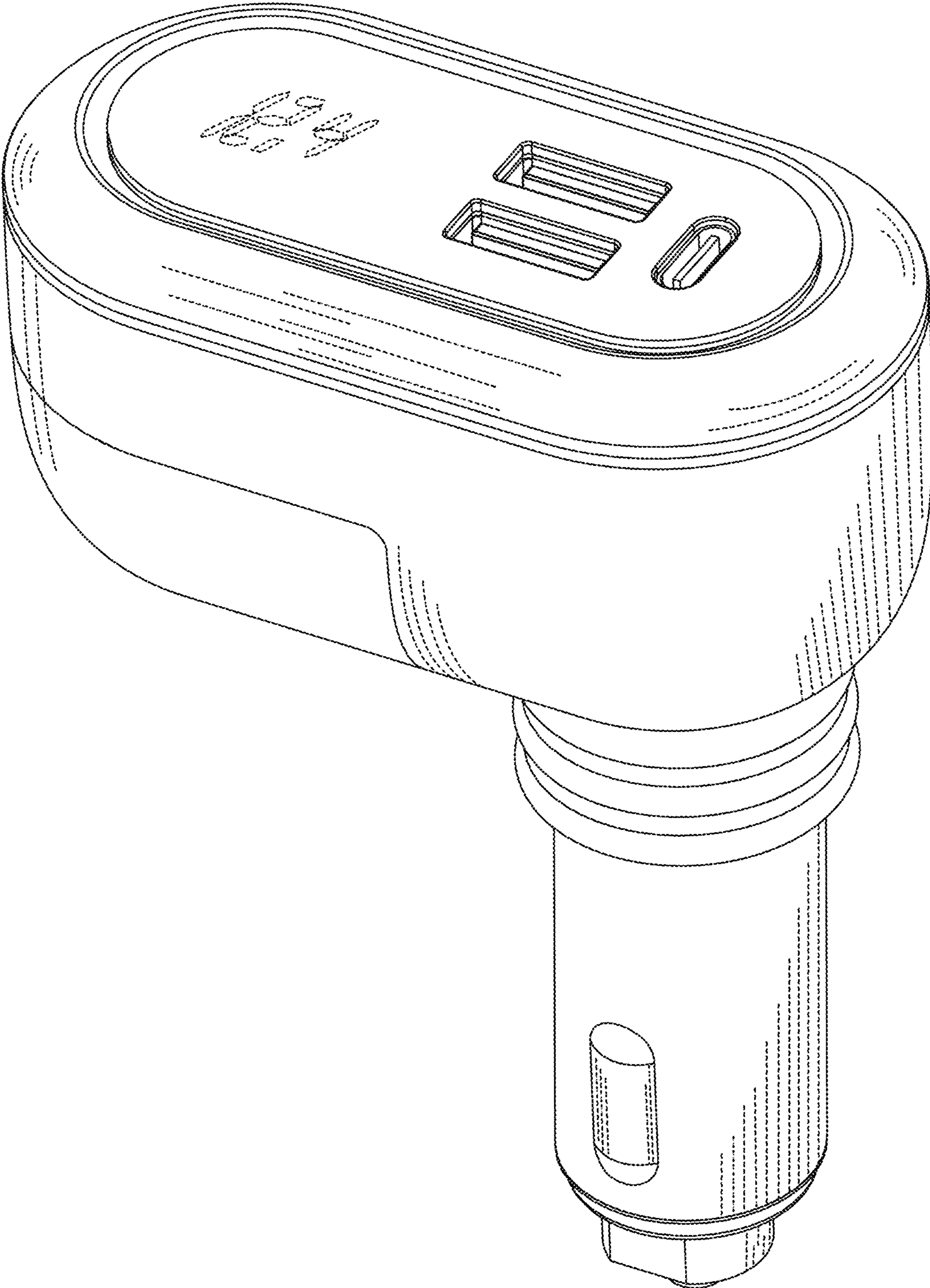


FIG. 1

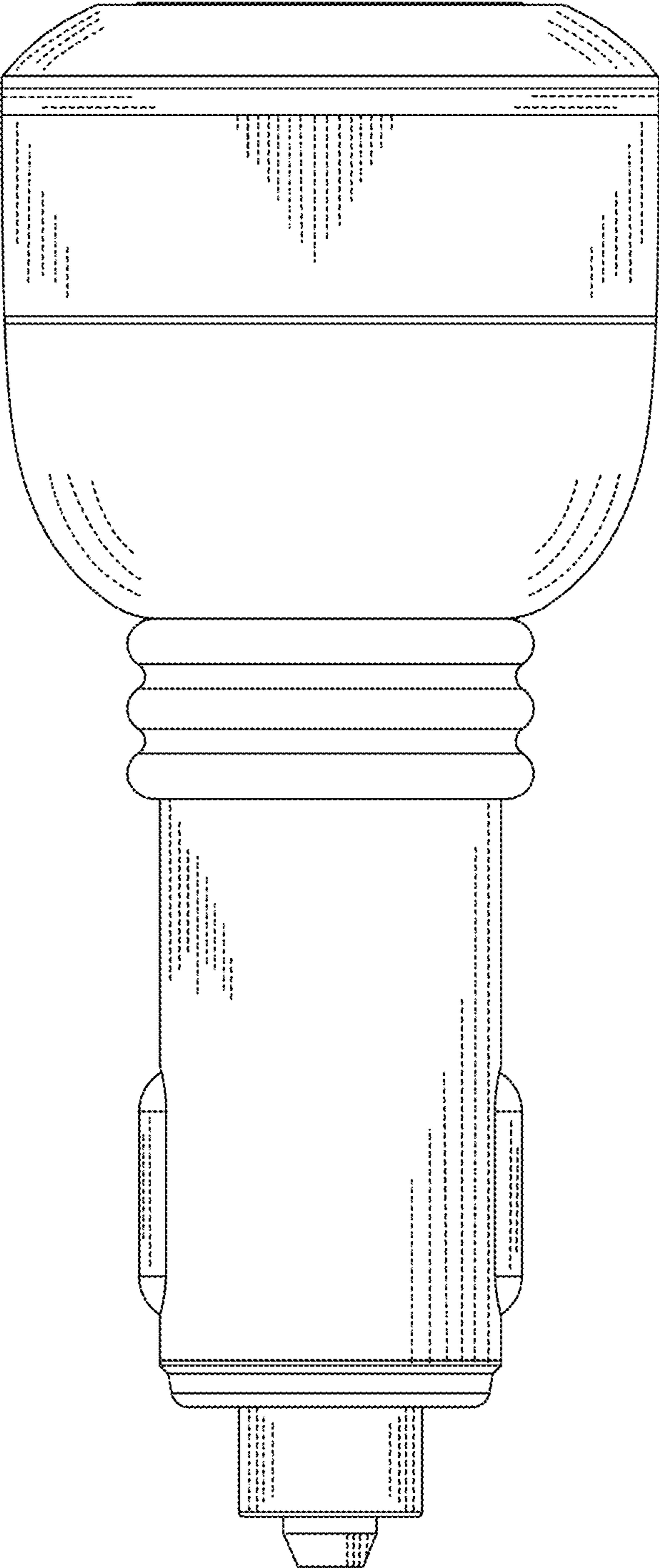


FIG. 2

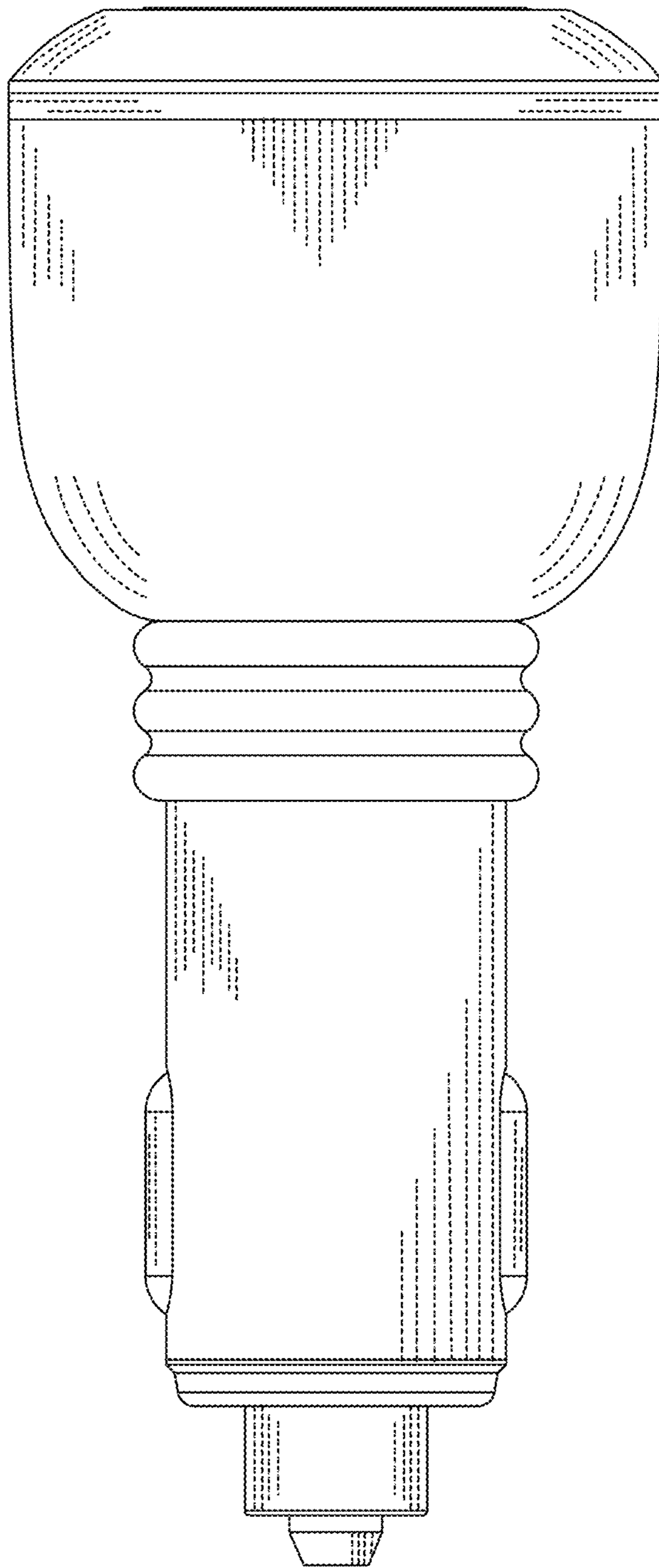


FIG. 3

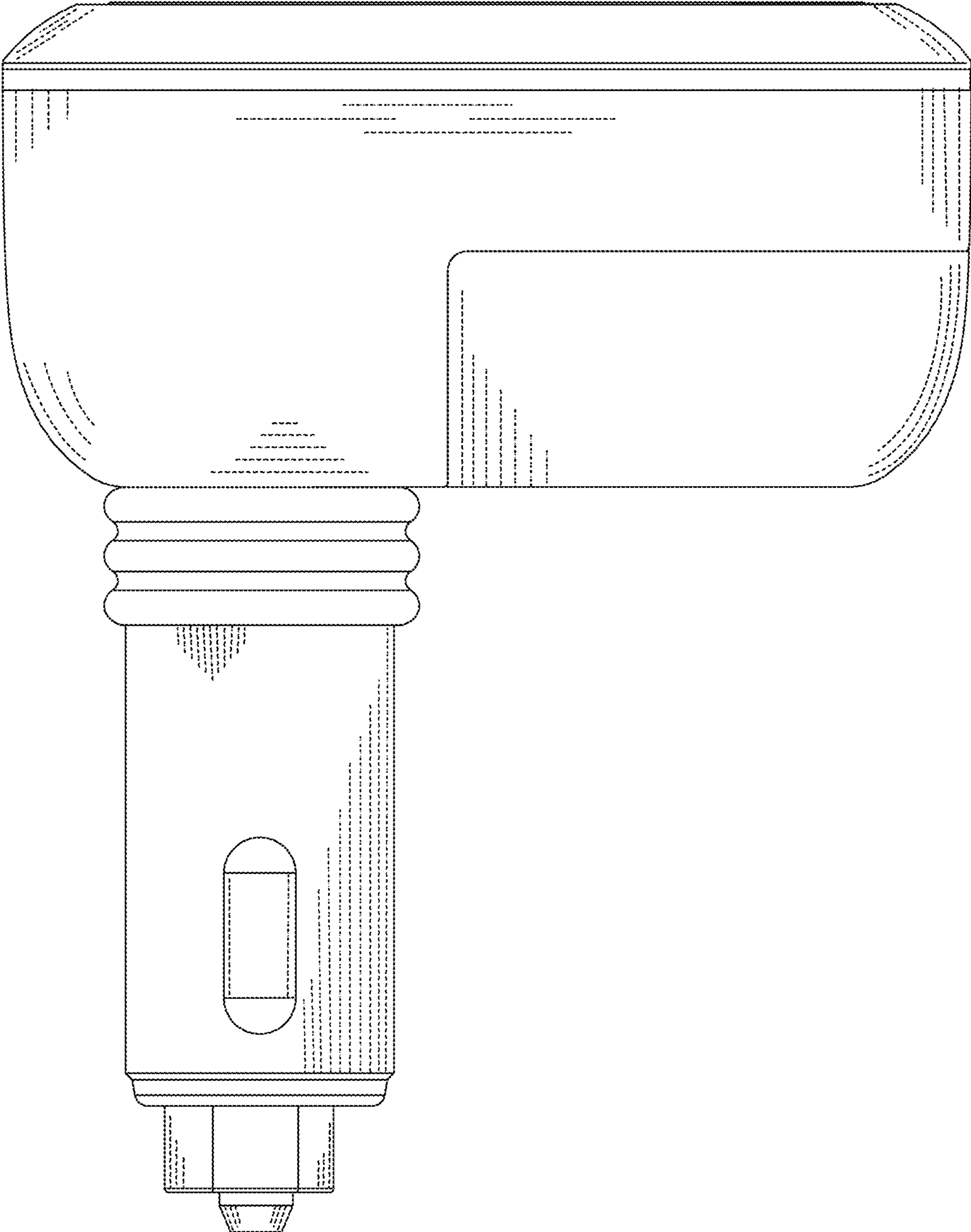


FIG. 4

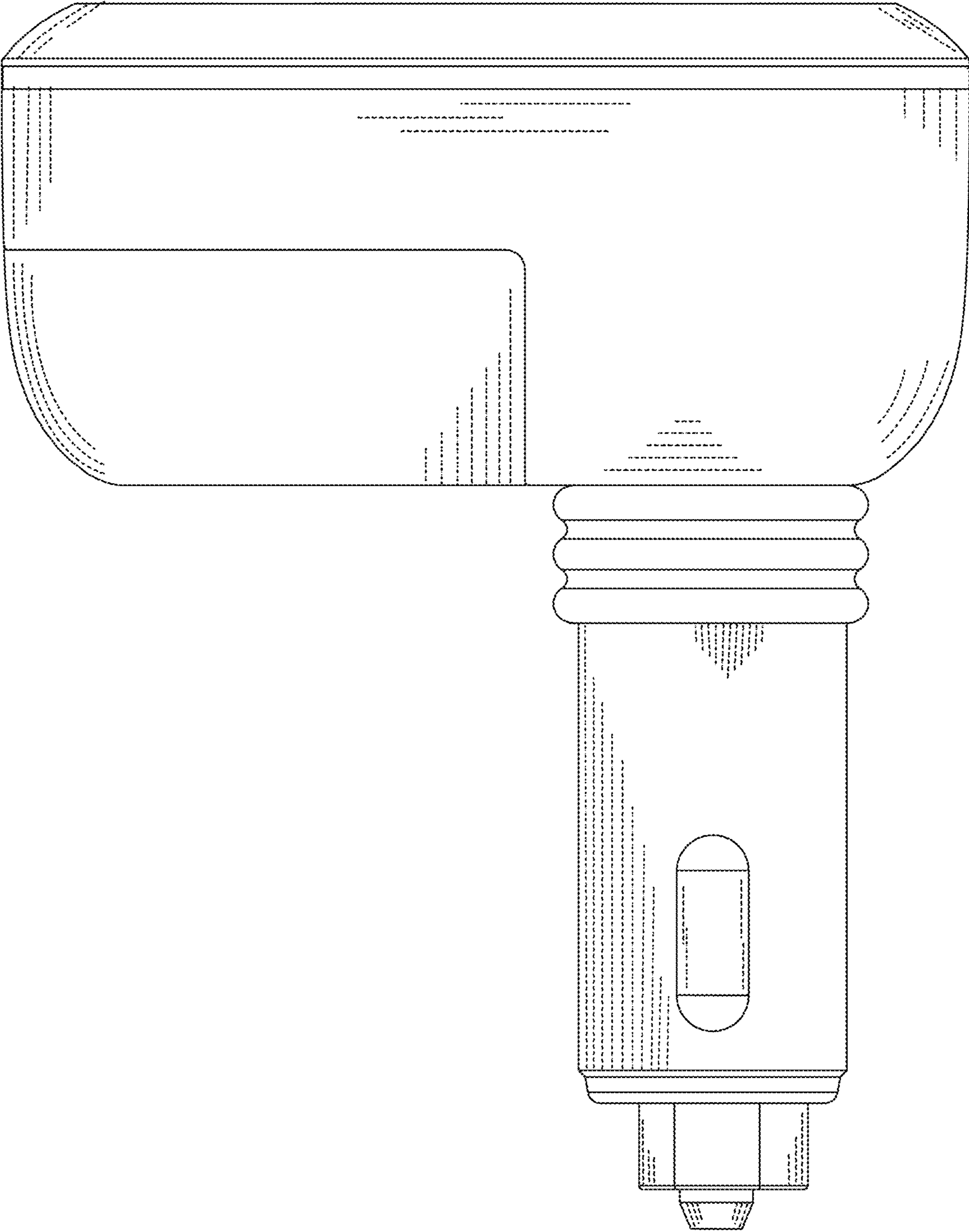


FIG. 5

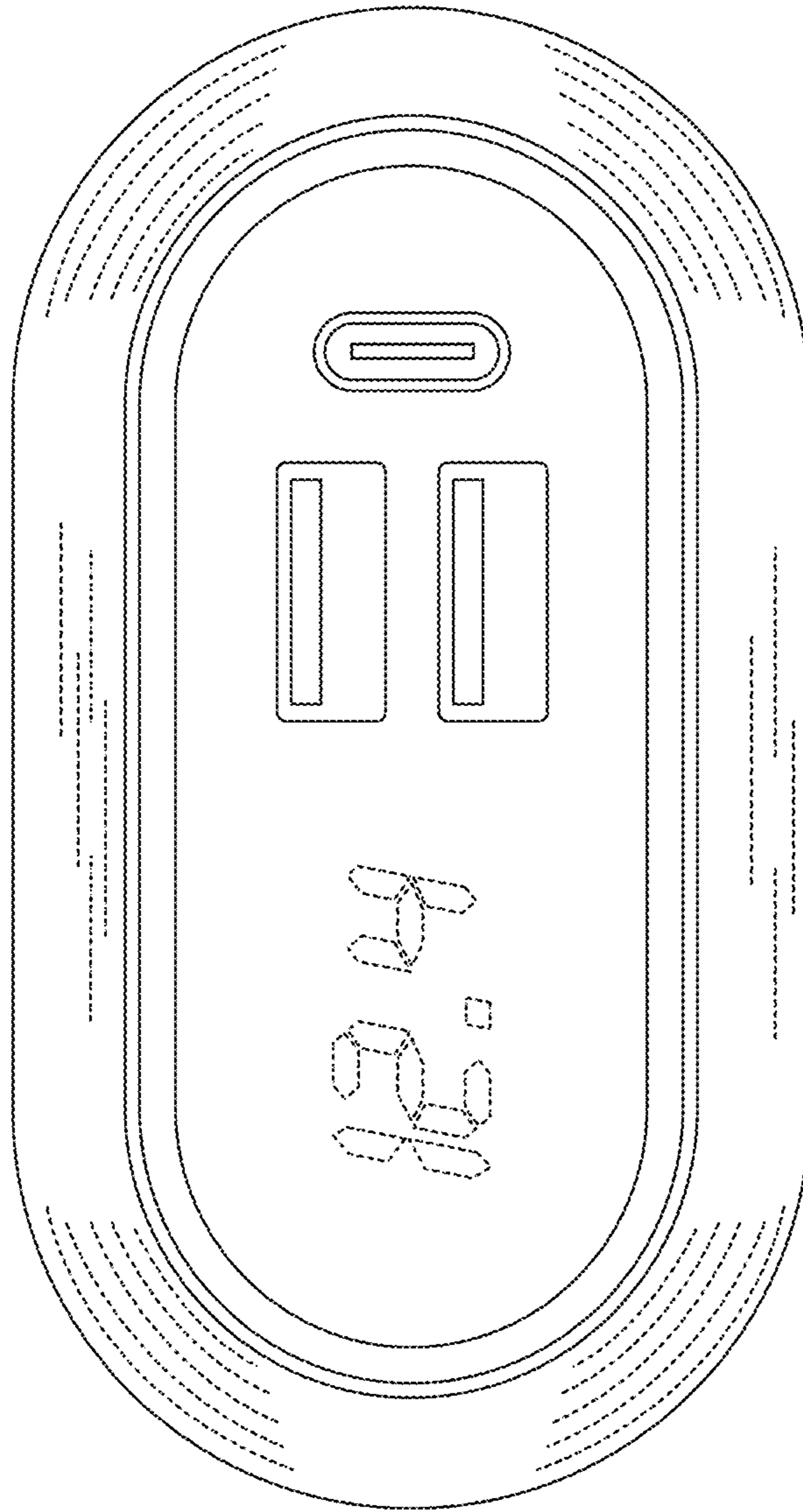


FIG. 6

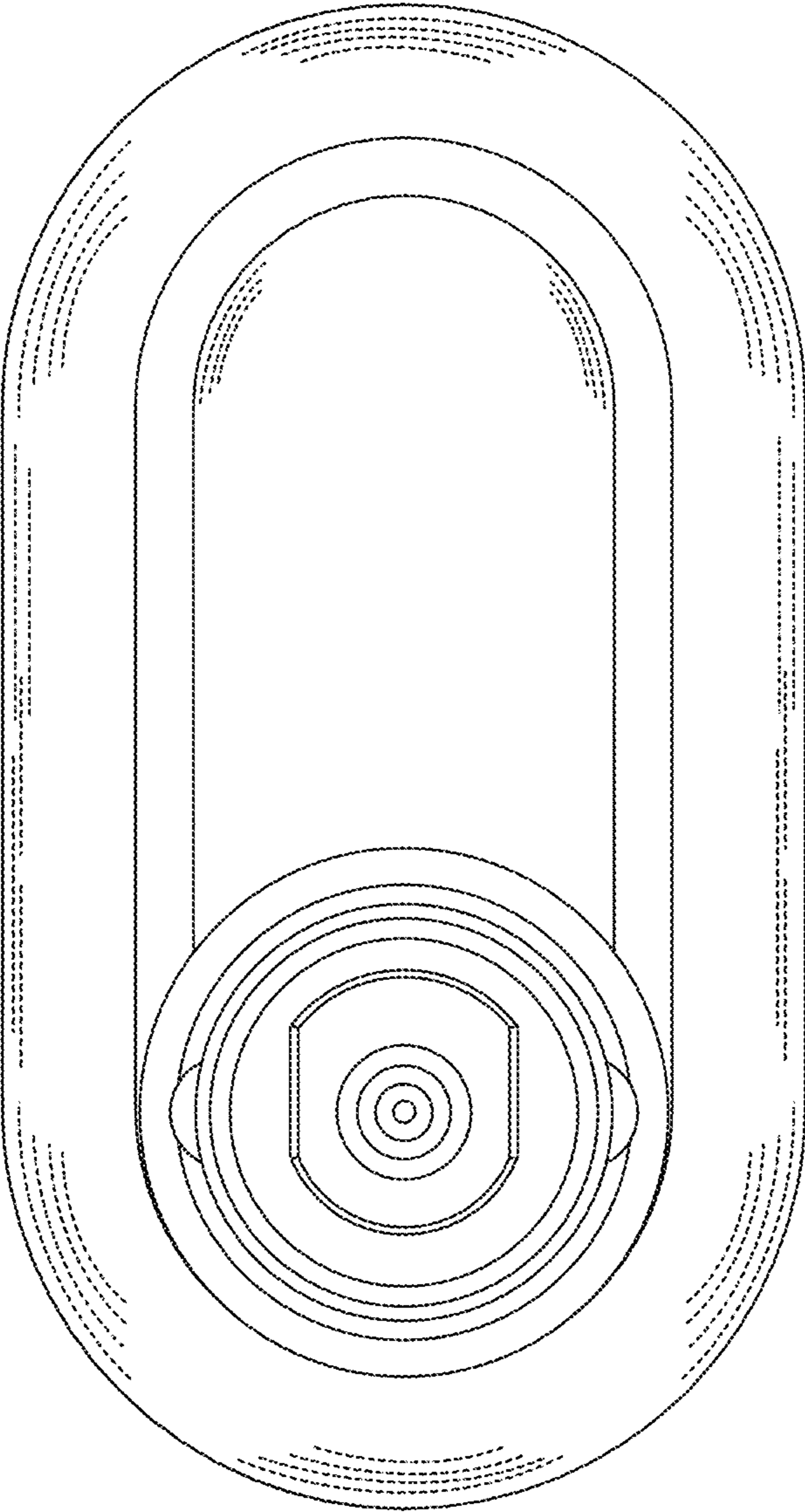


FIG. 7