



US00D970449S

(12) **United States Design Patent** (10) **Patent No.:** **US D970,449 S**  
**Valley** (45) **Date of Patent:** **\*\* Nov. 22, 2022**

(54) **DESKTOP RECEPTACLE**  
(71) Applicant: **Group Dekko, Inc.**, Fort Wayne, IN (US)  
(72) Inventor: **Austin S. Valley**, Grand Rapids, MI (US)  
(73) Assignee: **Group Dekko, Inc.**, Fort Wayne, IN (US)  
(\*\*) Term: **15 Years**

D852,140 S \* 6/2019 Chen ..... D13/137.2  
D862,388 S \* 10/2019 Qiu ..... D13/137.2  
D867,996 S \* 11/2019 Chen ..... D13/137.2  
D872,695 S \* 1/2020 Bo ..... D13/137.2  
D902,862 S \* 11/2020 Rupert ..... D13/137.1  
D902,864 S \* 11/2020 Turksu ..... D13/137.1

(Continued)

**FOREIGN PATENT DOCUMENTS**

CA 173786 \* 7/2019  
CA 187898 \* 6/2020  
CA 187899 \* 6/2020

(21) Appl. No.: **29/751,503**  
(22) Filed: **Sep. 22, 2020**  
(51) **LOC (13) Cl.** ..... **13-03**  
(52) **U.S. Cl.**  
USPC ..... **D13/137.4**  
(58) **Field of Classification Search**  
USPC ..... D13/137.1, 137.2, 137.3, 137.4, 138.1,  
D13/138.2, 139.1, 139.2, 139.3, 139.4,  
D13/139.5, 139.6, 139.7, 139.8, 103, 107,  
D13/108, 110, 119, 123, 133, 145, 152,  
D13/153, 154, 156, 158, 160, 162, 177,  
D13/184, 199  
CPC ..... H01R 13/00; H01R 13/03; H01R 13/04;  
H01R 13/10; H01R 13/35; H01R 13/44;  
H01R 13/453; H01R 13/4534; H01R  
13/502; H01R 13/514; H01R 13/631;  
H01R 13/639; H01R 13/6633; H01R  
13/6666; H01R 13/6675; H01R 13/7135;  
H01R 31/02; H01R 31/06; H01R 31/065  
See application file for complete search history.

**OTHER PUBLICATIONS**

“3 Outlet Desk Clamp Power Strip with USB Ports, Desktop Power Strip Surge Protector 1200J. Desk Mount Charging Power Station, on Desk Edge Power Outlet 125V 12A 1500W.”, first available May 6, 2019. Amazon.com [https://www.amazon.com/dp/B07RR39CDF] (Year: 2019).\*

(Continued)

*Primary Examiner* — Rosemary K Tarcza  
*Assistant Examiner* — Seth David Kumpf  
(74) *Attorney, Agent, or Firm* — Taylor IP, P.C.

(57) **CLAIM**

The ornamental design for a desktop receptacle, as shown and described.

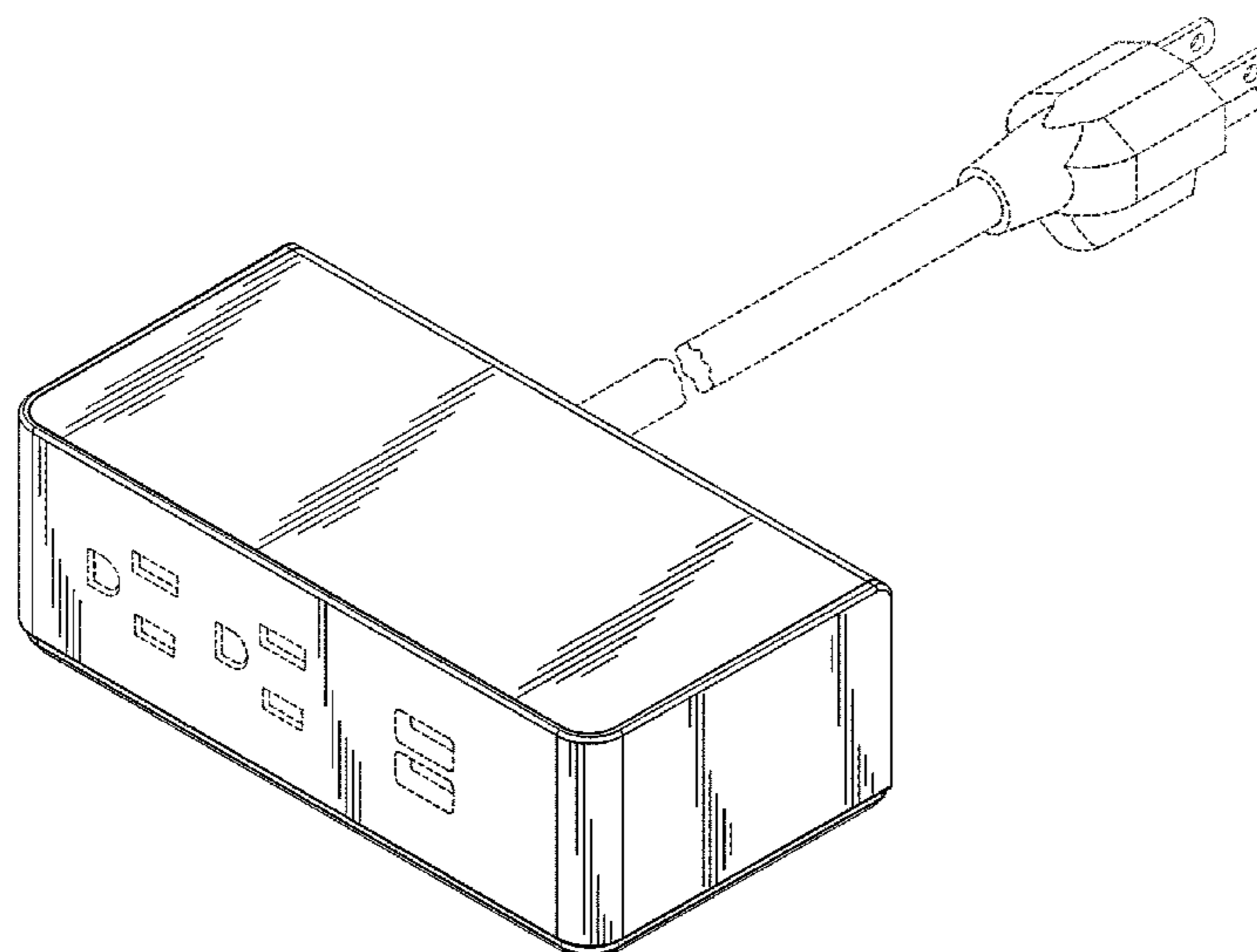
**DESCRIPTION**

FIG. 1 is a perspective view of a desktop receptacle showing my new design;  
FIG. 2 is a front view thereof;  
FIG. 3 is a top view thereof;  
FIG. 4 is a bottom view thereof; and,  
FIG. 5 is a side view thereof.  
The broken lines shown in the drawings are for the purpose of illustrating portions of the desktop receptacle that forms no part of the claimed design.

**1 Claim, 4 Drawing Sheets**

(56) **References Cited**  
U.S. PATENT DOCUMENTS

D756,303 S \* 5/2016 Kellenberger ..... D13/137.1  
D801,936 S \* 11/2017 Rose ..... D13/139.4  
D801,937 S \* 11/2017 Rose ..... D13/139.4  
D849,686 S \* 5/2019 Byrne ..... D13/137.2  
D851,597 S \* 6/2019 Ding ..... D13/137.2



(56)

**References Cited**

U.S. PATENT DOCUMENTS

D930,591 S \* 9/2021 Rupert ..... D13/137.1  
D939,446 S \* 12/2021 Molaie Shargh ..... D13/137.2

OTHER PUBLICATIONS

“Multi Plug Outlet Extender, Unidapt 3 Outlet Wall Adapter, Multiple Outlet Splitter, Grounded Wall Tap Power Plug Expander for Cruise Ship Home Office Dorm Essentials, 2-Pack”, first available Sep. 21, 2020. Amazon.com [<https://www.amazon.com/dp/B08JMC3Z7V>] (Year: 2020).\*

“GE 3-Outlet Extender Wall Tap, Grounded Adapter Plug, Indoor Rated, 3-Prong, Perfect for Travel, UL Listed, White, 52203”, first available Aug. 29, 2002. Amazon.com [<https://www.amazon.com/dp/B00006IBFC>] (Year: 2002).\*

“Ashley Duo Surface Power Module”, first accessed Jan. 20, 2022. OfficeChairsUSA.com [<https://www.officechairsusa.com/ashley-duo-surface-power-module/>] (Year: 2022).\*

\* cited by examiner

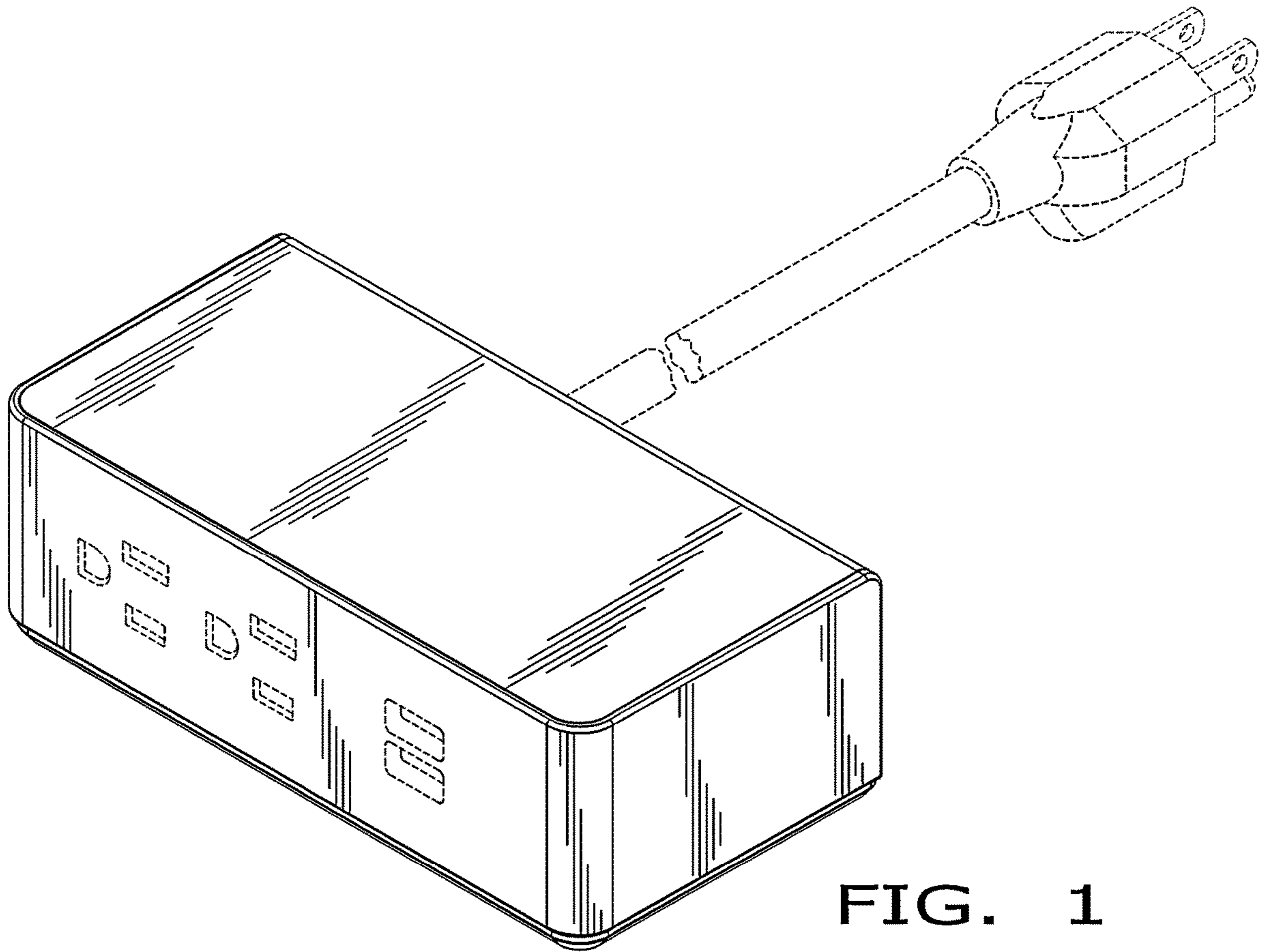


FIG. 1

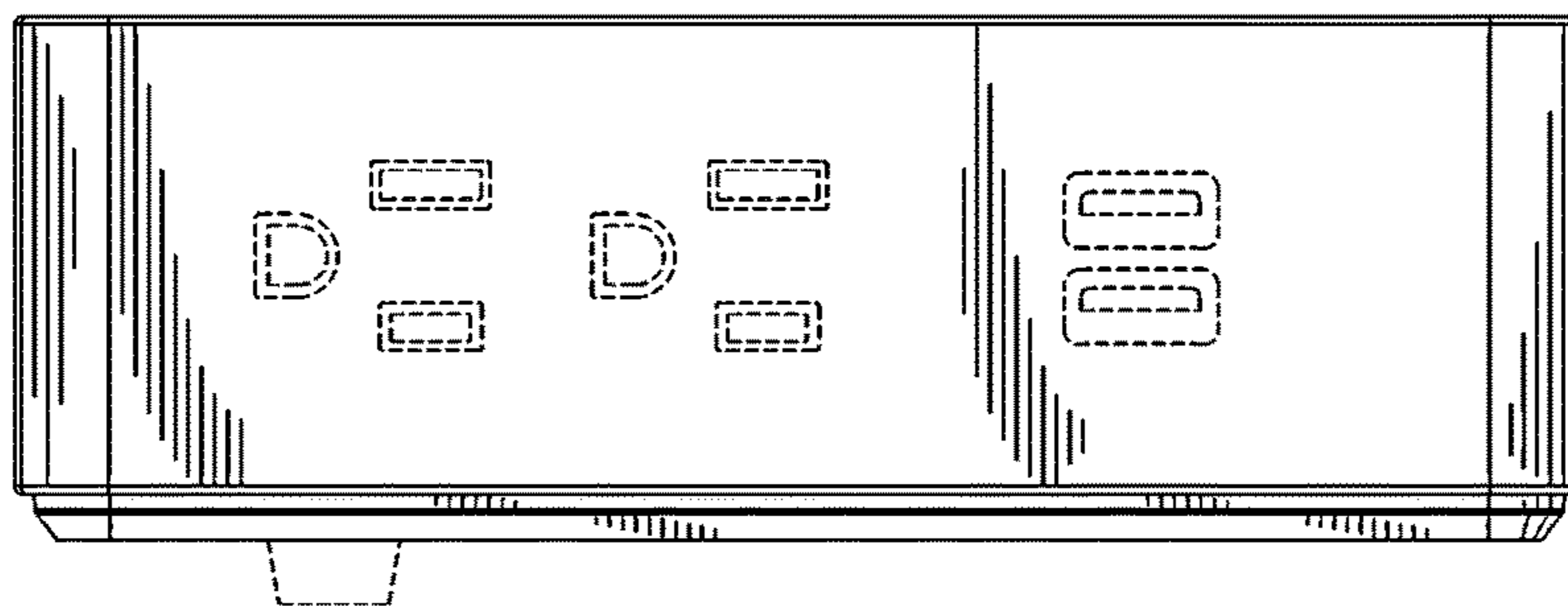


FIG. 2

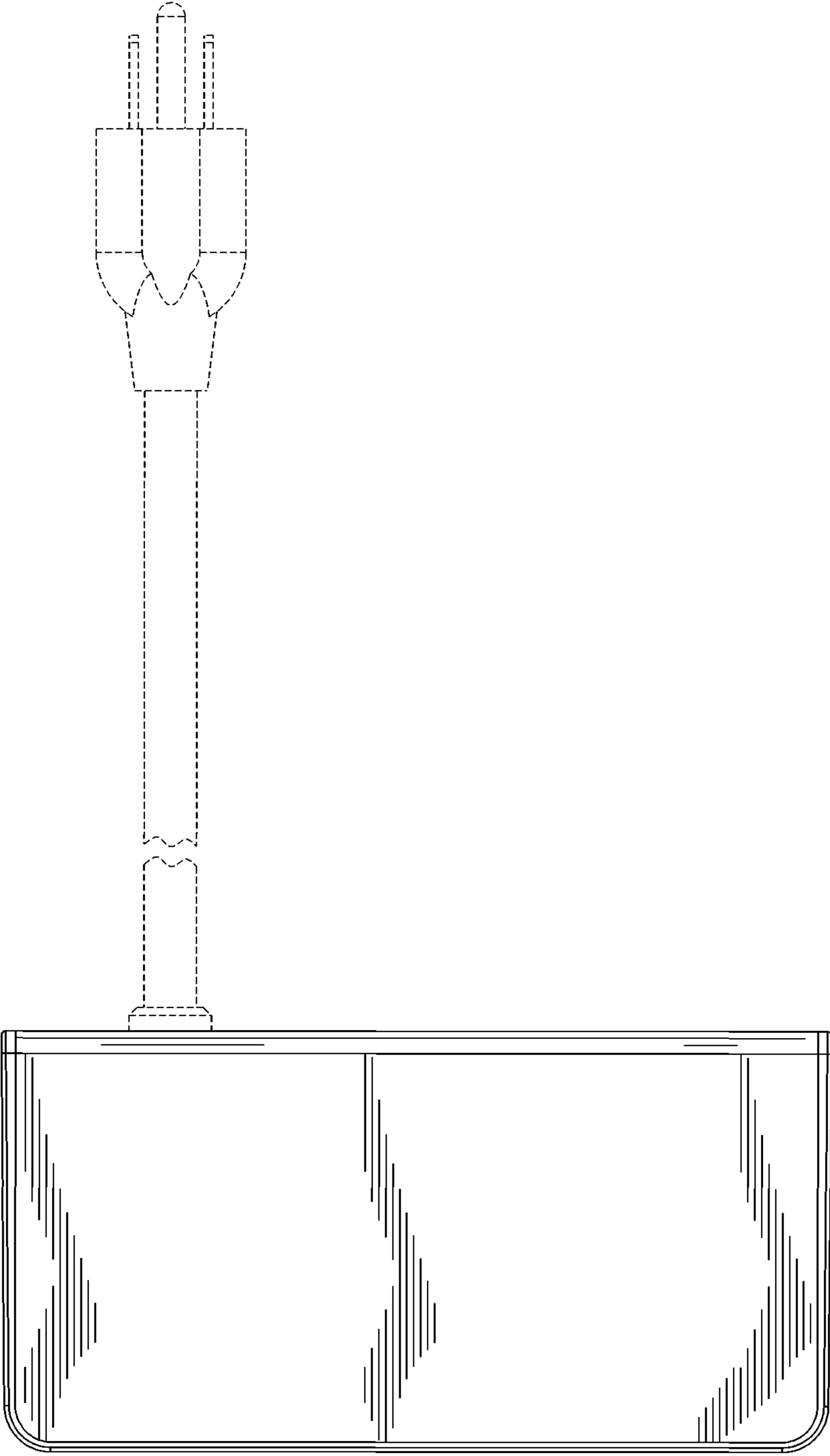


FIG. 3

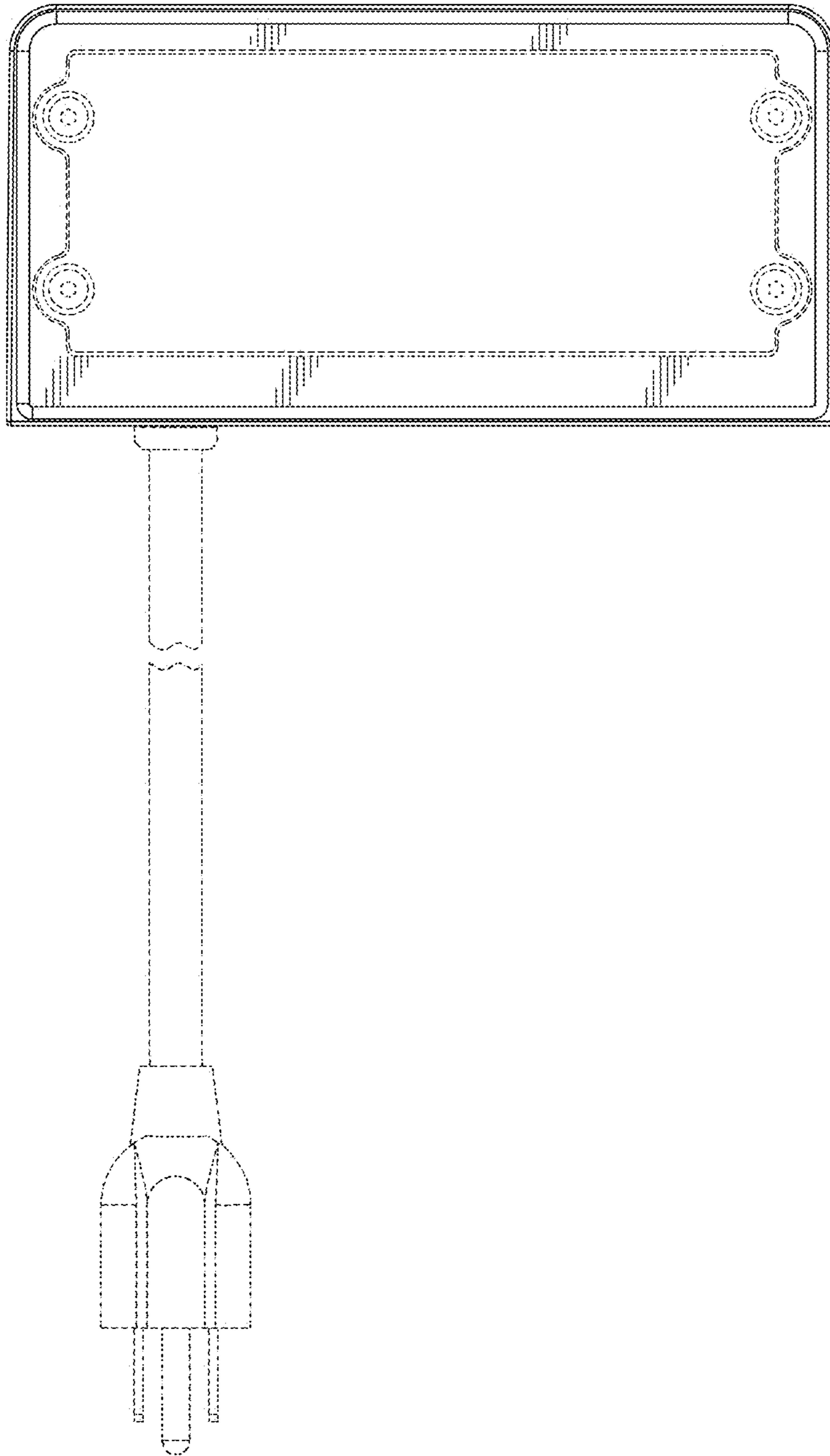


FIG. 4

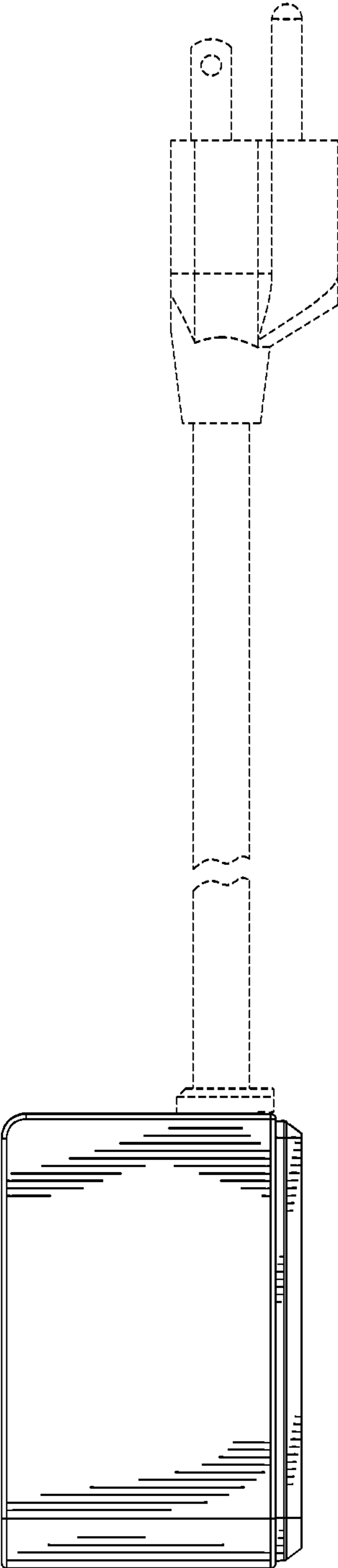


FIG. 5