



US00D970448S

(12) **United States Design Patent** (10) **Patent No.:** **US D970,448 S**  
**Zhou** (45) **Date of Patent:** **\*\* Nov. 22, 2022**

(54) **SOCKET**

(71) Applicant: **Xiaoqin Zhou**, Jurong (CN)

(72) Inventor: **Xiaoqin Zhou**, Jurong (CN)

(\*\*) Term: **15 Years**

(21) Appl. No.: **29/837,880**

(22) Filed: **May 9, 2022**

**Related U.S. Application Data**

(62) Division of application No. 29/798,249, filed on Jul. 7, 2021, now Pat. No. Des. 957,342.

(51) **LOC (13) Cl.** ..... **13-03**

(52) **U.S. Cl.**  
USPC ..... **D13/137.2**

(58) **Field of Classification Search**  
USPC ..... D13/137.1, 137.2, 137.3, 137.4, 138.1, D13/138.2, 139.1, 139.2, 139.3, 139.4, D13/139.5, 139.6, 139.7, 139.8; D14/432, 433, 435.1, 438  
CPC .... H01R 13/11; H01R 13/518; H01R 13/642; H01R 13/652; H01R 13/20; H01R 13/26; H01R 13/434; H01R 13/625; H01R 25/003; H01R 25/006; H01R 43/26; H01H 71/62; H01H 73/14  
See application file for complete search history.

(56) **References Cited**

**U.S. PATENT DOCUMENTS**

D644,180 S \* 8/2011 Lee ..... D13/139.8  
D673,503 S \* 1/2013 Lee ..... D13/139.8  
D705,732 S \* 5/2014 Lee ..... D13/137.2

(Continued)

**FOREIGN PATENT DOCUMENTS**

CN 305595095 \* 2/2020  
GB 1039229 \* 10/1987

(Continued)

**OTHER PUBLICATIONS**

“Outlet Extender—Wall Surge Protector with 6 Outlets 3 USB (1 USB C, 2 USB A), Multi Plug Outlet Splitter, Wall Mount Adapter with Top Phone Holder for Home, School, Office (490 Joules)”, first available Aug. 18, 2019. Amazon.com [https://www.amazon.com/dp/B07WR4PXLC] (Year: 2019).\*

(Continued)

*Primary Examiner* — Rosemary K Tarcza

*Assistant Examiner* — Seth David Kumpf

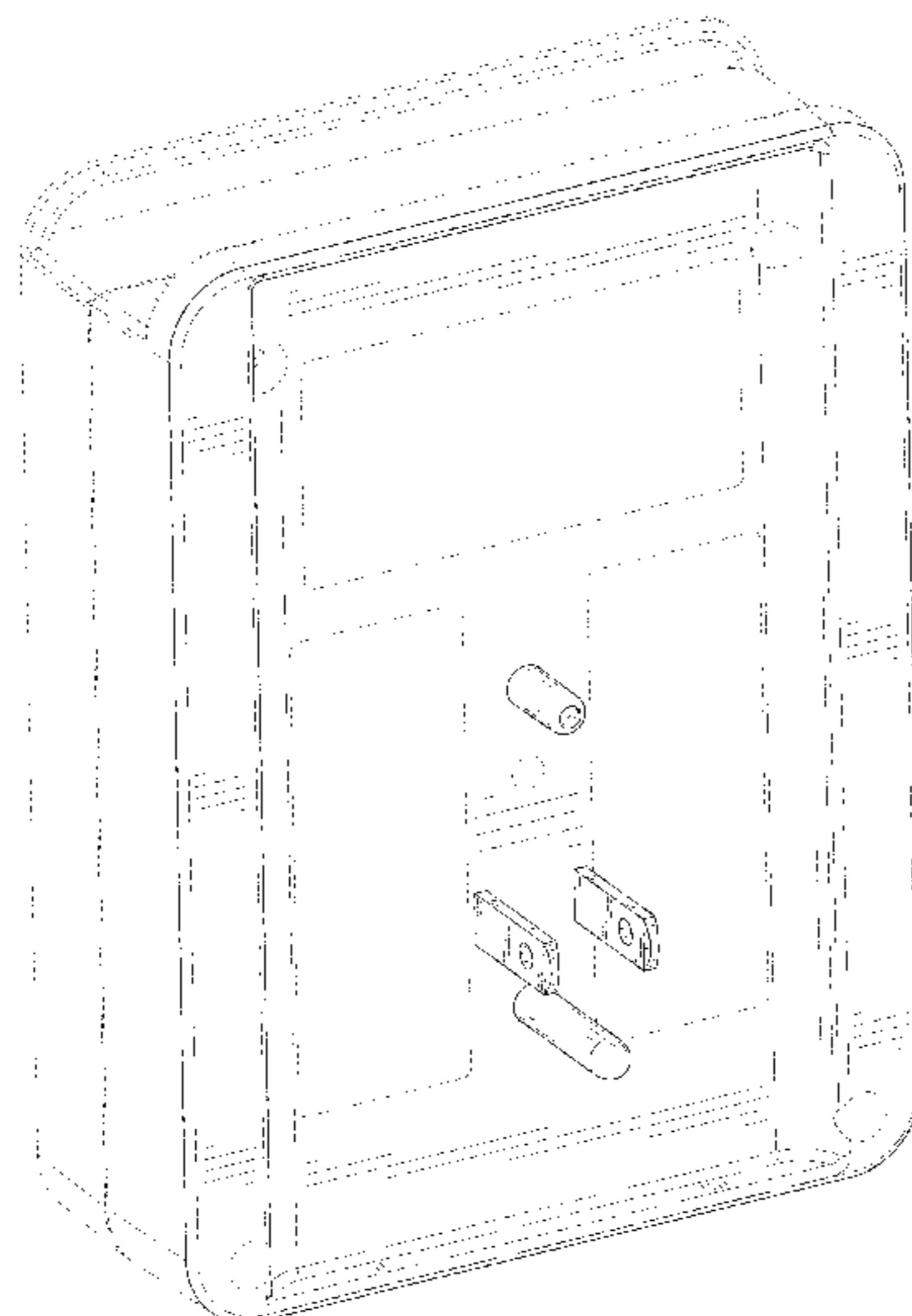
(57) **CLAIM**

The ornamental design for a socket, as shown and described.

**DESCRIPTION**

FIG. 1 is a perspective view of a first embodiment of a socket showing my new design;  
FIG. 2 is another perspective view thereof;  
FIG. 3 is a front elevational view thereof;  
FIG. 4 is a rear elevational view thereof;  
FIG. 5 is a left side elevational view thereof;  
FIG. 6 is a right side elevational view thereof;  
FIG. 7 is a top plan view thereof;  
FIG. 8 is a bottom plan view thereof;  
FIG. 9 is a perspective view of a second embodiment of the socket;  
FIG. 10 is another perspective view thereof;  
FIG. 11 is a front elevational view thereof;  
FIG. 12 is a rear elevational view thereof;  
FIG. 13 is a left side elevational view thereof;  
FIG. 14 is a right side elevational view thereof;  
FIG. 15 is a top plan view thereof; and,  
FIG. 16 is a bottom plan view thereof.  
The broken lines shown in the drawings are for the purpose of illustrating portions of the socket that form no part of the claimed design.

**1 Claim, 16 Drawing Sheets**



(56)

References Cited

U.S. PATENT DOCUMENTS

D770,976 S \* 11/2016 Xu ..... D13/110  
 D796,445 S \* 9/2017 Xu ..... D13/139.6  
 D858,448 S 9/2019 Zhou  
 D871,344 S \* 12/2019 Lyu ..... D13/139.8  
 D878,299 S \* 3/2020 Lyu ..... D13/139.8  
 D878,300 S \* 3/2020 Lyu ..... D13/139.8  
 D881,809 S \* 4/2020 Lyu ..... D13/137.2  
 D881,821 S \* 4/2020 Lyu ..... D13/139.8  
 D886,064 S 6/2020 Chen  
 D886,742 S \* 6/2020 Lyu ..... D13/137.2  
 D899,375 S \* 10/2020 Bao ..... D13/137.2  
 D900,748 S \* 11/2020 Chen ..... D13/137.2  
 D908,631 S \* 1/2021 Yu ..... D13/137.2  
 D922,953 S \* 6/2021 Mei ..... D13/139.8  
 D922,954 S \* 6/2021 Mei ..... D13/139.8  
 D922,955 S \* 6/2021 Chen ..... D13/139.8  
 D924,809 S \* 7/2021 Chen ..... D13/137.2  
 D930,946 S \* 9/2021 Chen ..... D1/100  
 D941,774 S \* 1/2022 Tao ..... D13/139.6  
 D944,741 S \* 3/2022 Chen ..... D13/137.2  
 D947,781 S \* 4/2022 Wei ..... D13/137.2  
 D948,451 S \* 4/2022 Wang ..... D13/139.8  
 D948,452 S \* 4/2022 Wu ..... D13/139.8  
 D954,650 S \* 6/2022 Amoss ..... D13/137.2  
 D957,342 S \* 7/2022 Zhou ..... D13/137.2  
 D958,082 S \* 7/2022 Lin ..... D13/139.7

FOREIGN PATENT DOCUMENTS

GB 6097887 \* 8/2020  
 GB 6097888 \* 8/2020  
 GB 6097889 \* 8/2020  
 GB 6115167 \* 9/2020

OTHER PUBLICATIONS

“Multi Plug Outlet, Surge Protector, ANHAORUI Outlet Splitter with 6 Outlet Extender and 3 USB Ports (White)”, first available Oct. 8, 2020. Amazon.com [https://www.amazon.com/dp/B08KVV473Z] (Year: 2020).\*

“Multi Plug Outlet, Outlet Splitter, POWSAV Surge Protector Wall Mount with 12-Outlet Extender and 3 USB Ports(Smart 3.4A Total) for Home, Office, Dorm Essentials, Hotel, White, ETL Listed”, first available Mar. 31, 2020. Amazon.com [https://www.amazon.com/dp/B086L4R9KZ] (Year: 2020).\*

“Multi Plug Outlet—Addtam Surge Protector Wall Mount with 12 Outlet Extender—3 Sides and 3 USB Ports (1 USB-C), Outlet Splitter Power Strip for Home, Office, Hotel, White”, first available Feb. 26, 2021. Amazon.com [https://www.amazon.com/dp/B08XMJQQ1F] (Year: 2021).\*

\* cited by examiner

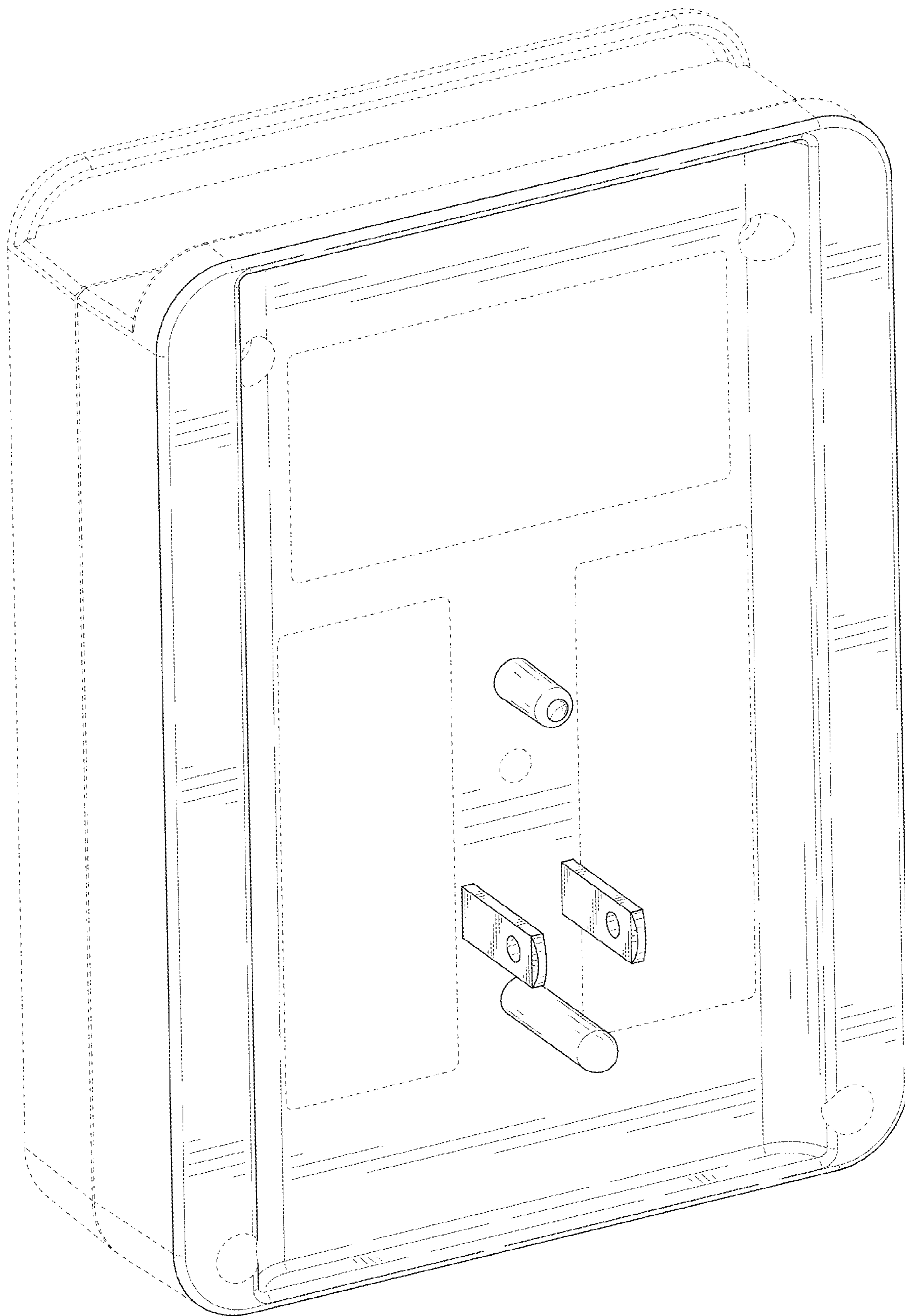


FIG. 1

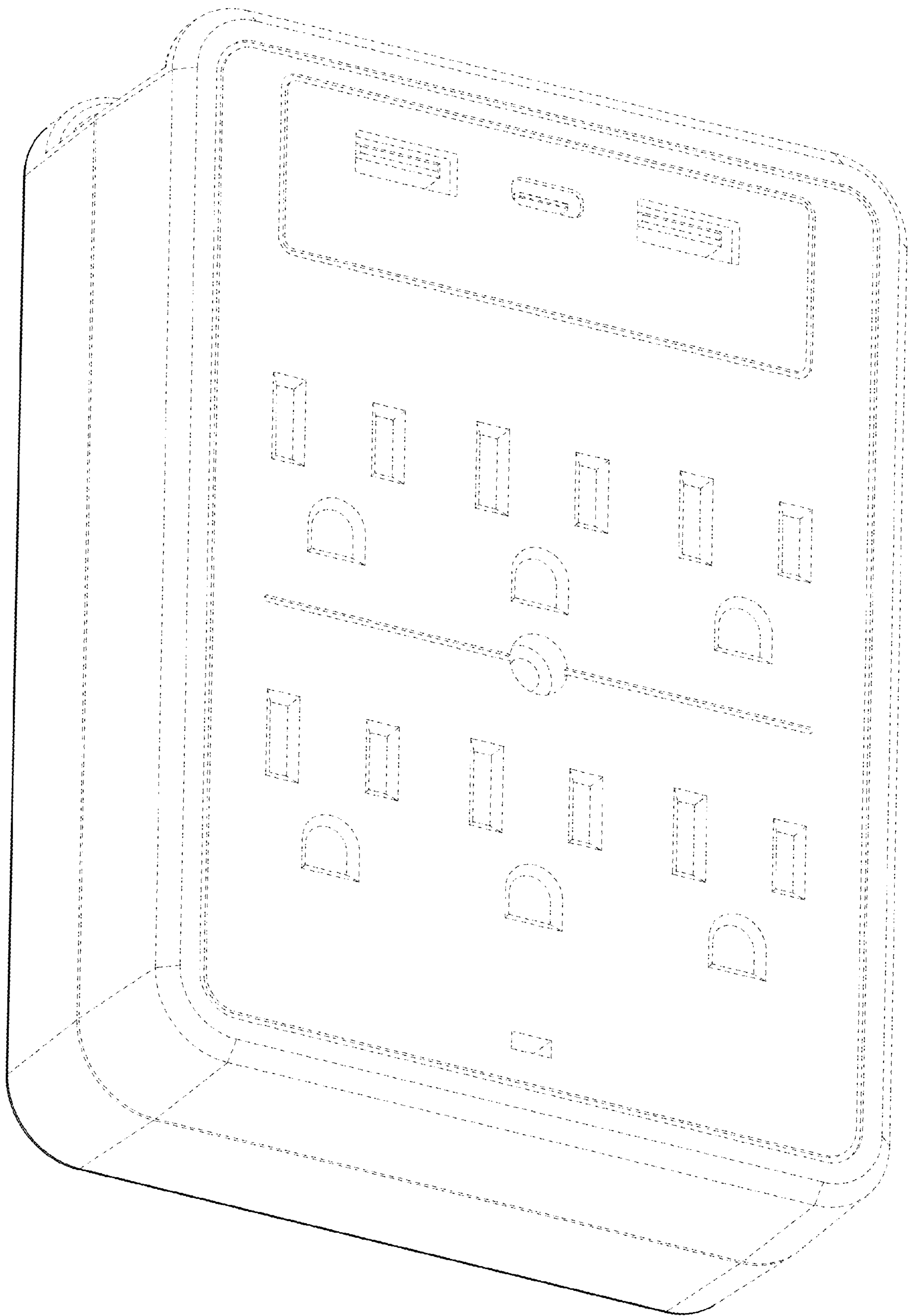


FIG. 2

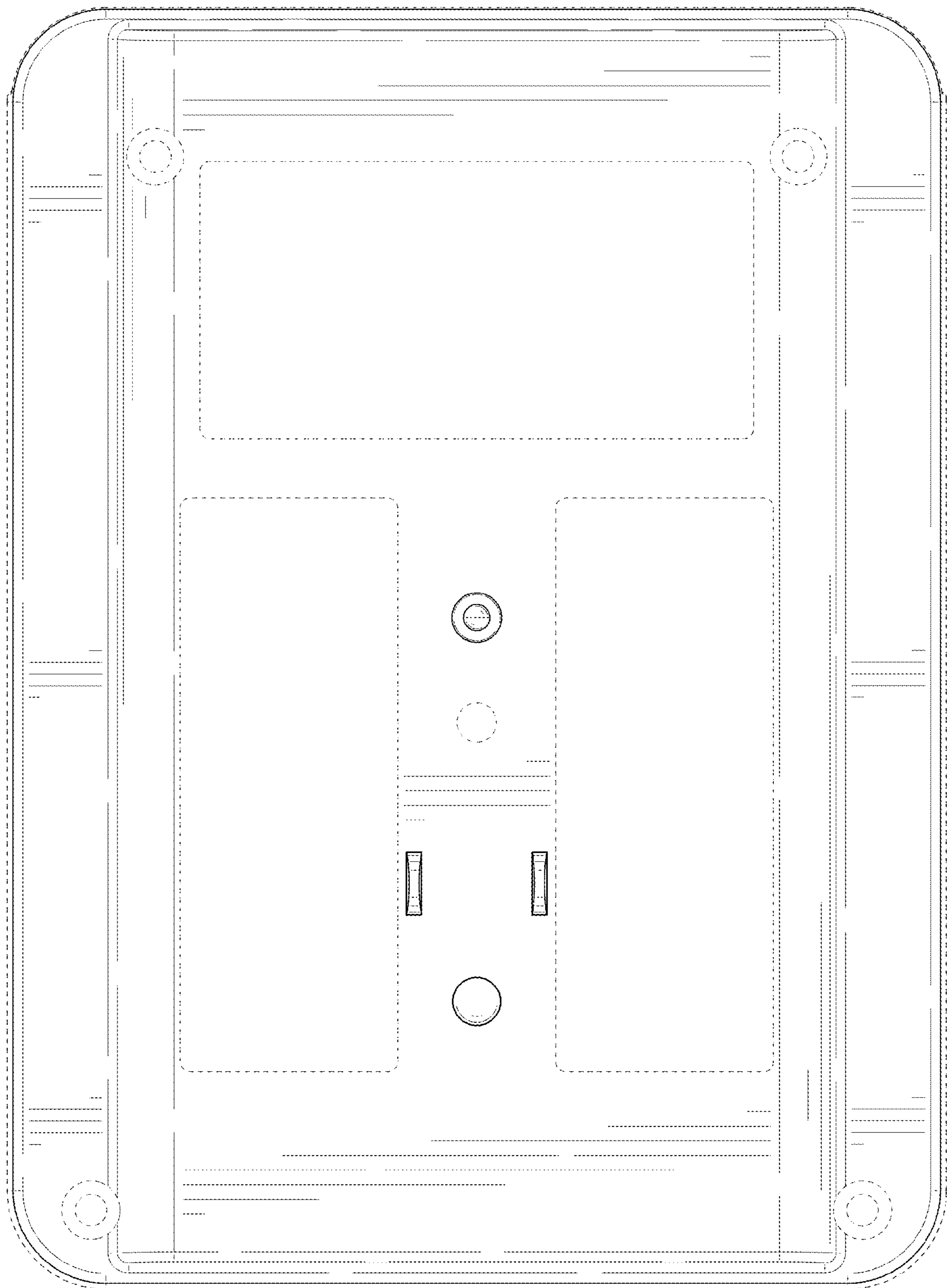


FIG. 3

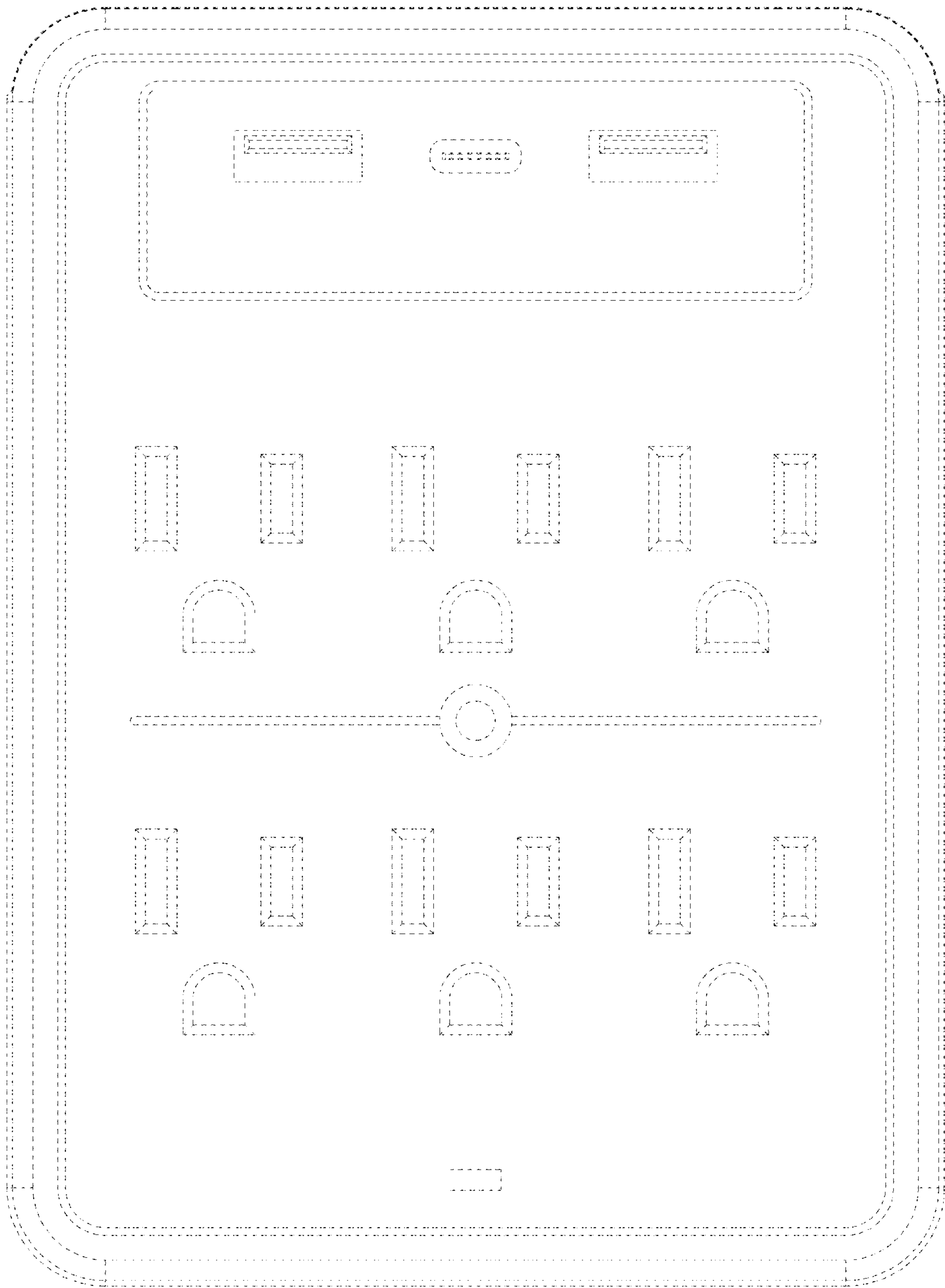


FIG. 4

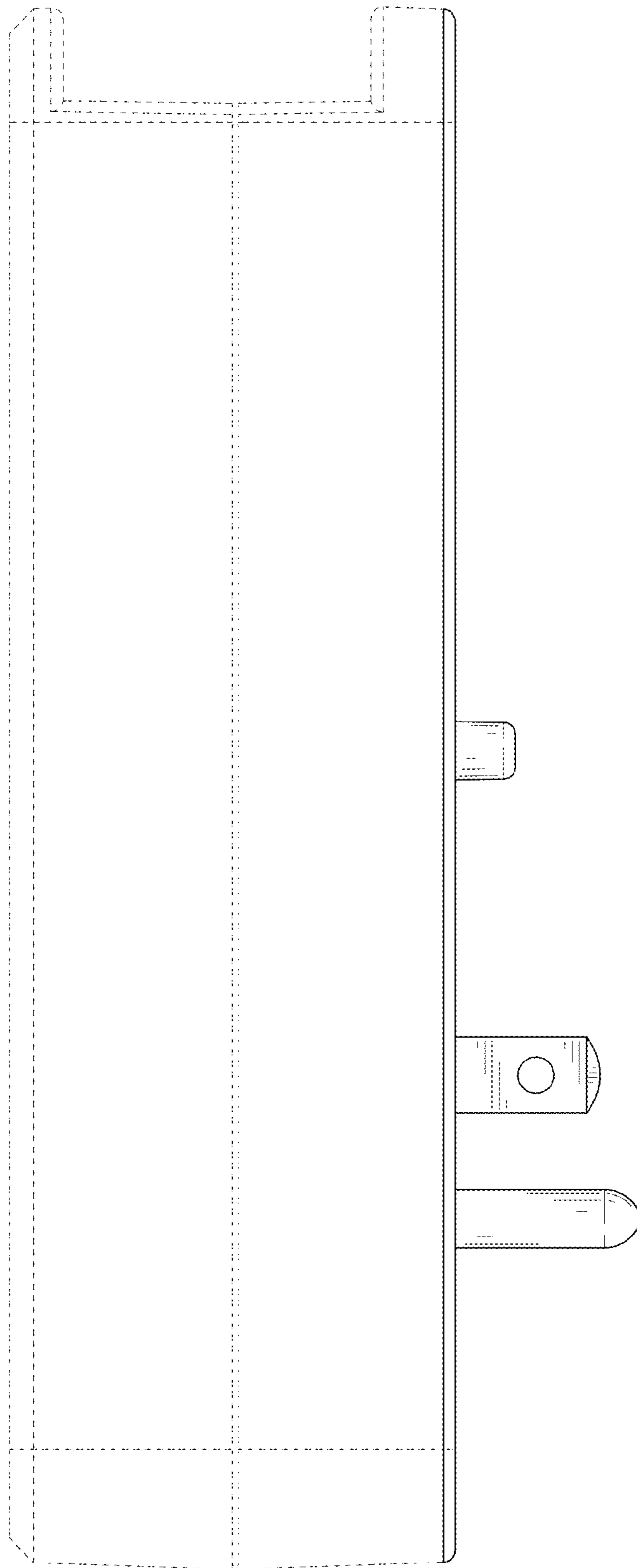


FIG. 5

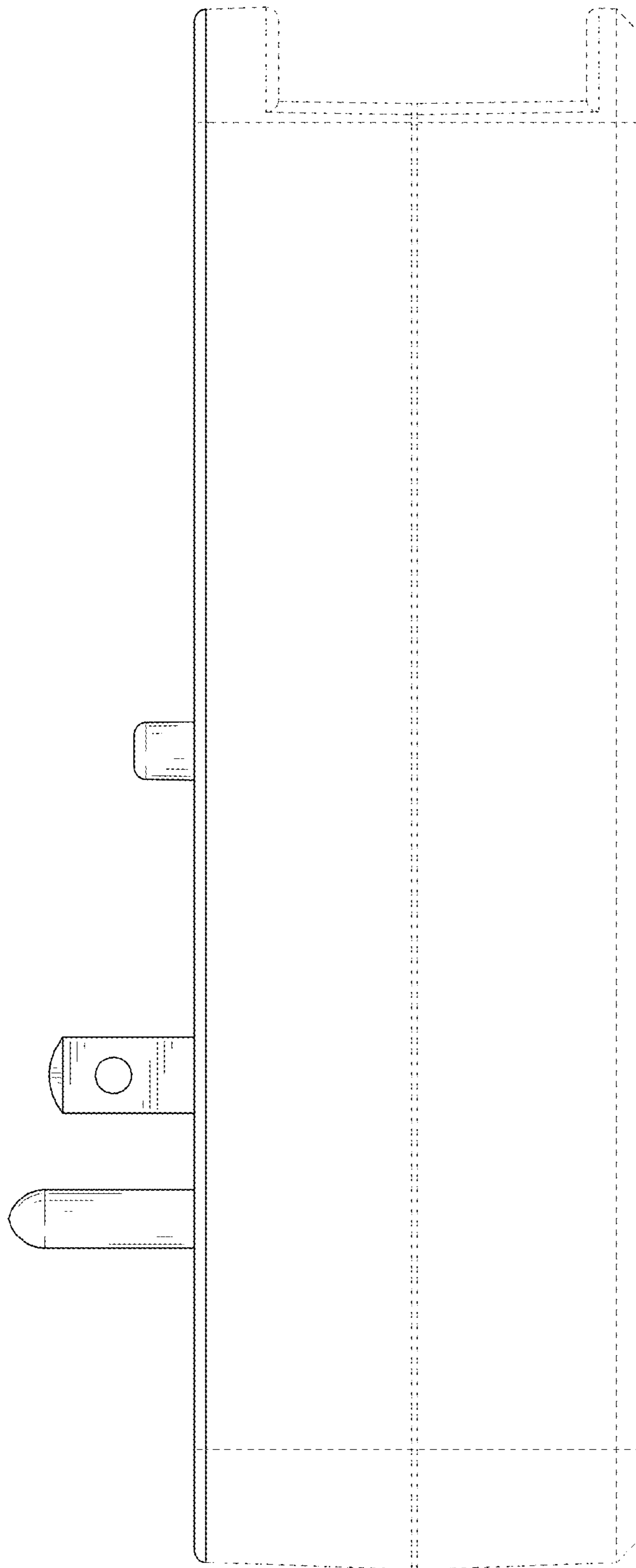


FIG. 6



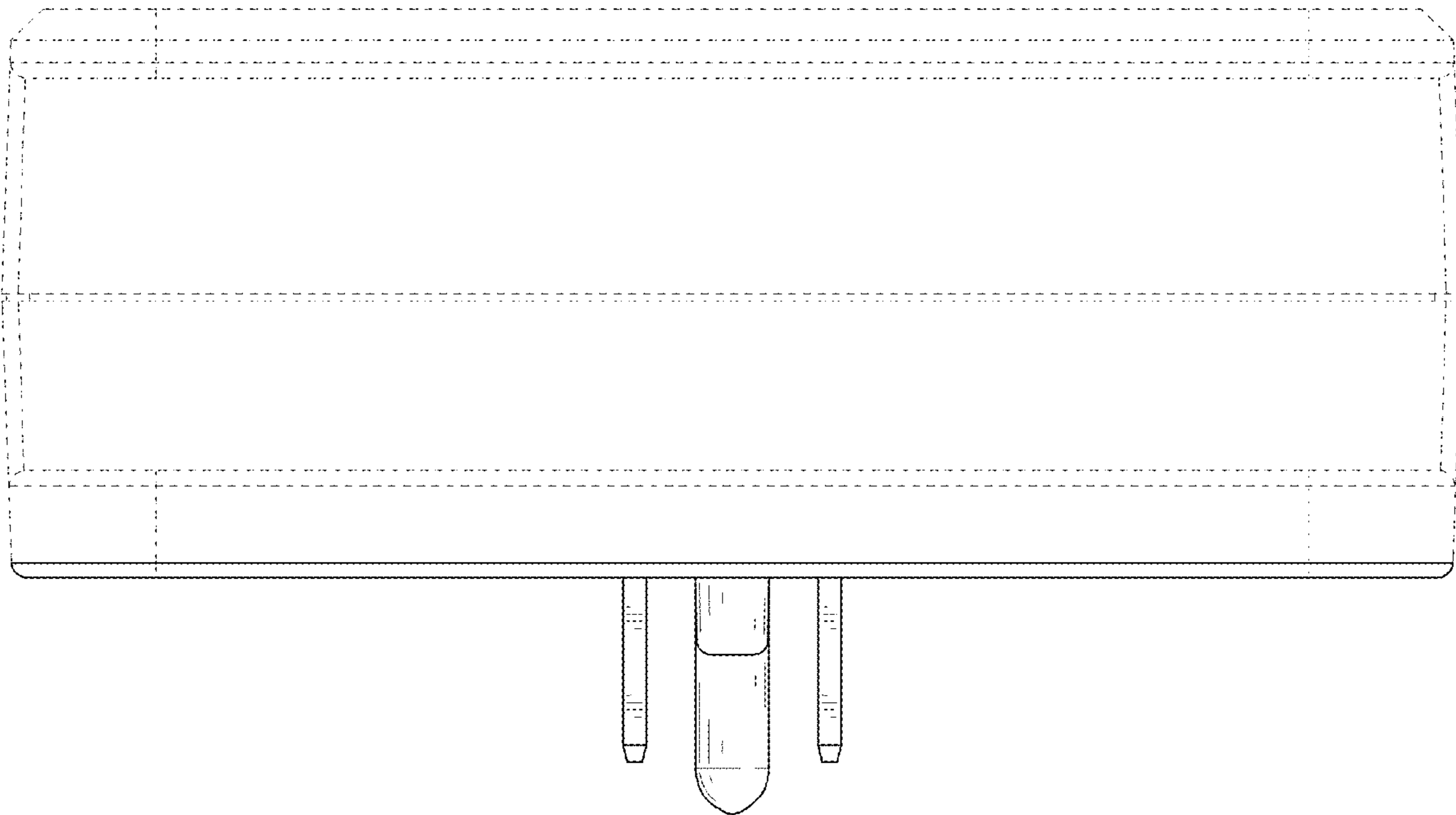


FIG. 7

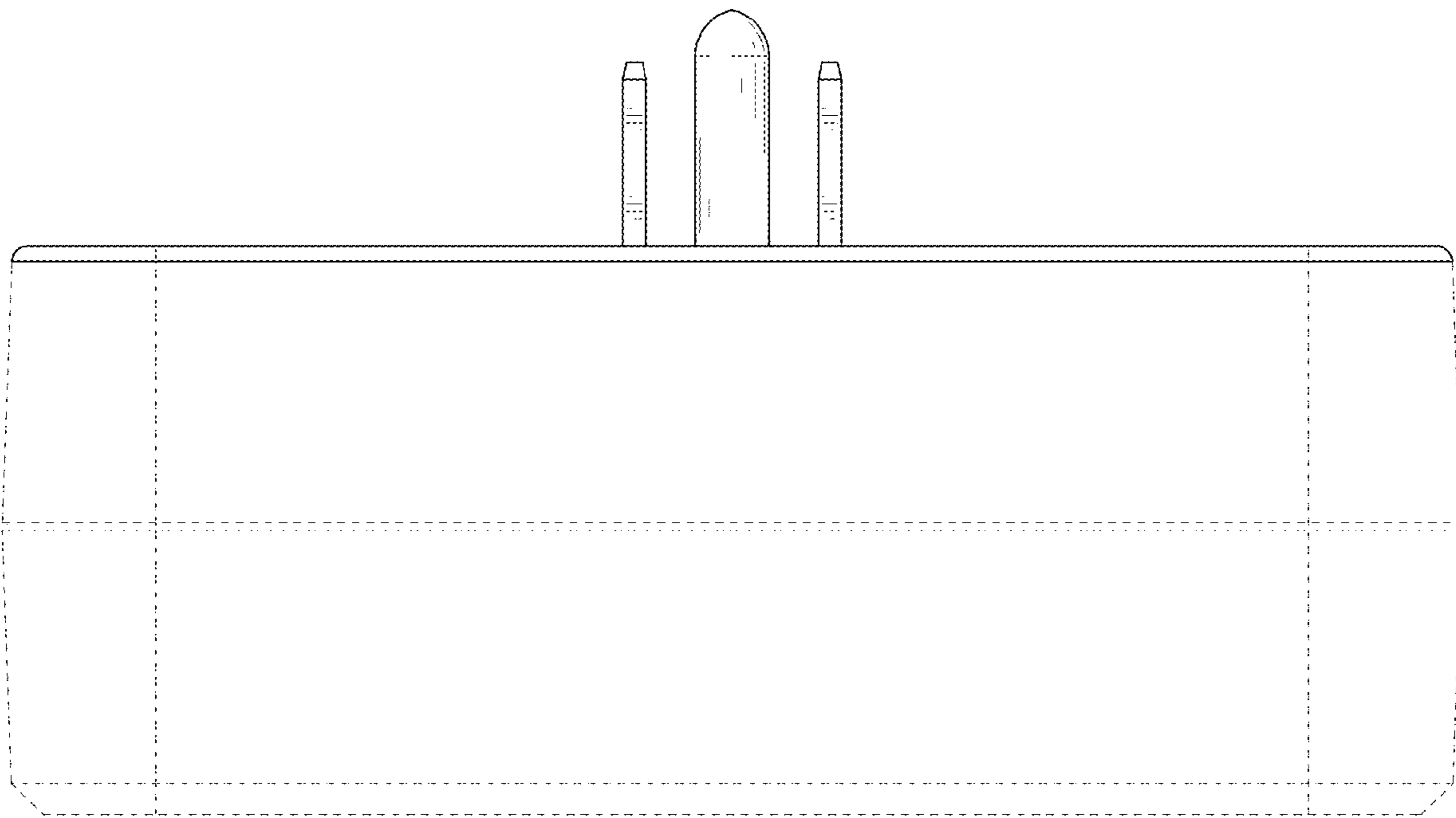


FIG. 8

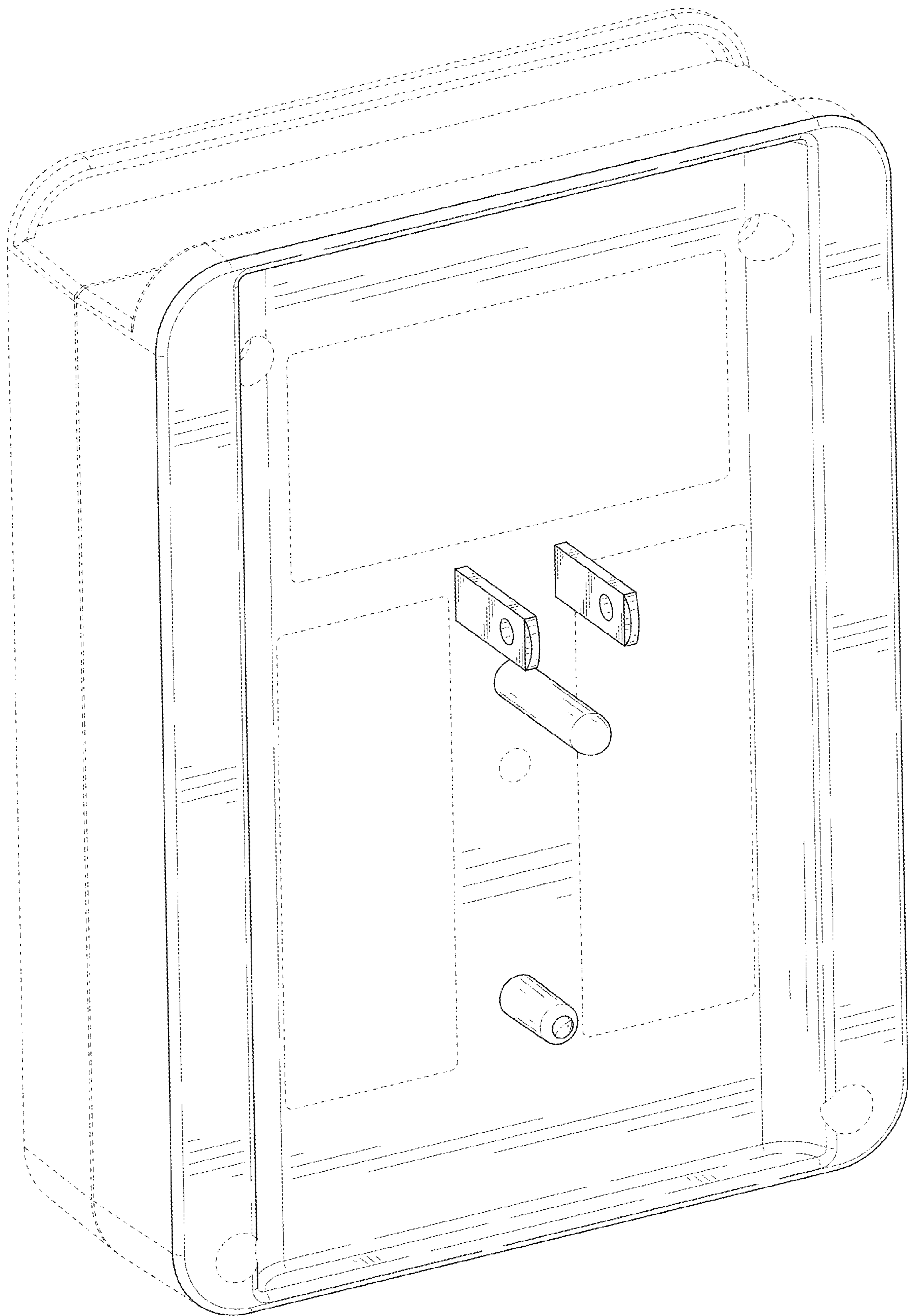


FIG. 9

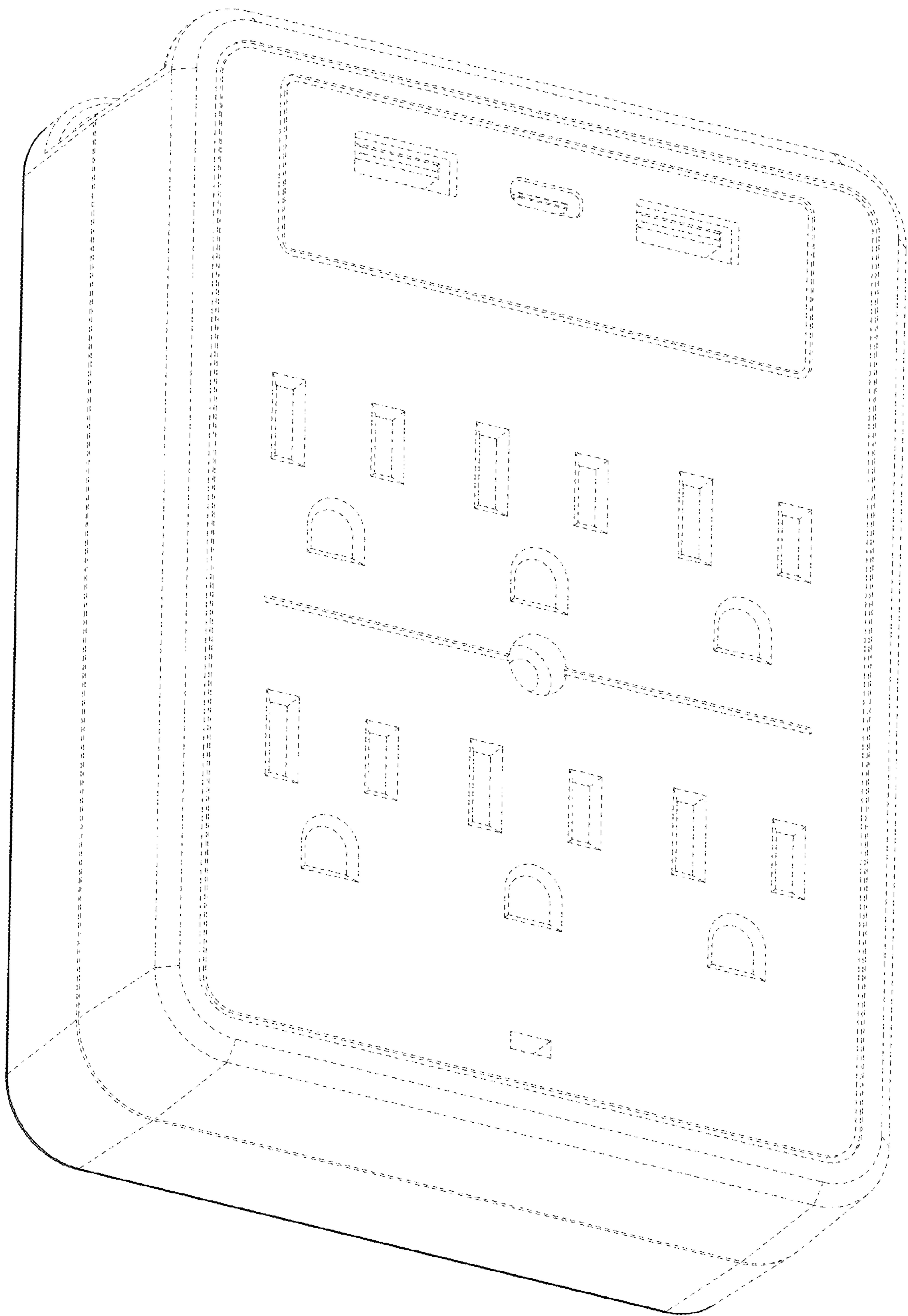


FIG. 10

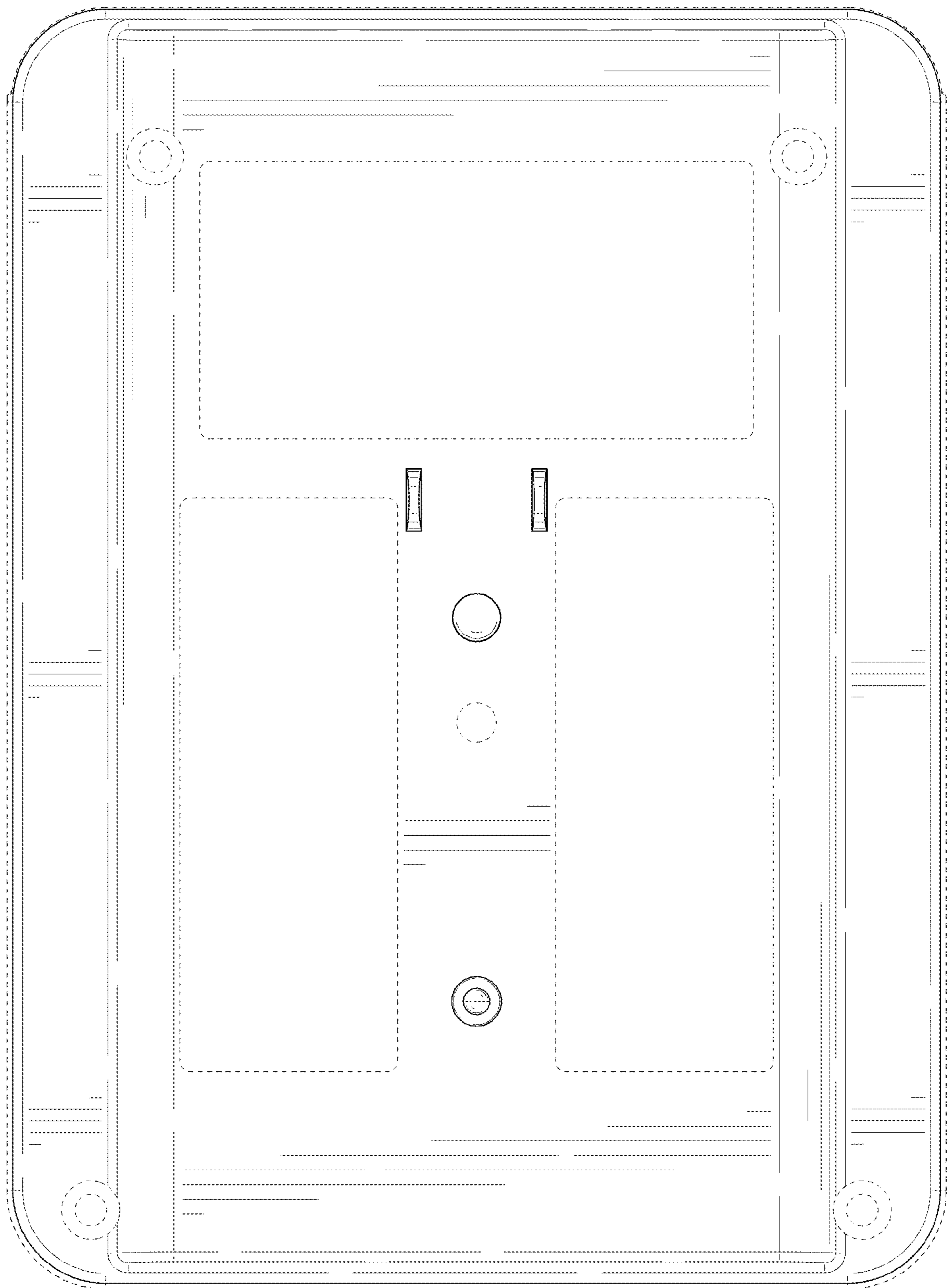


FIG. 11

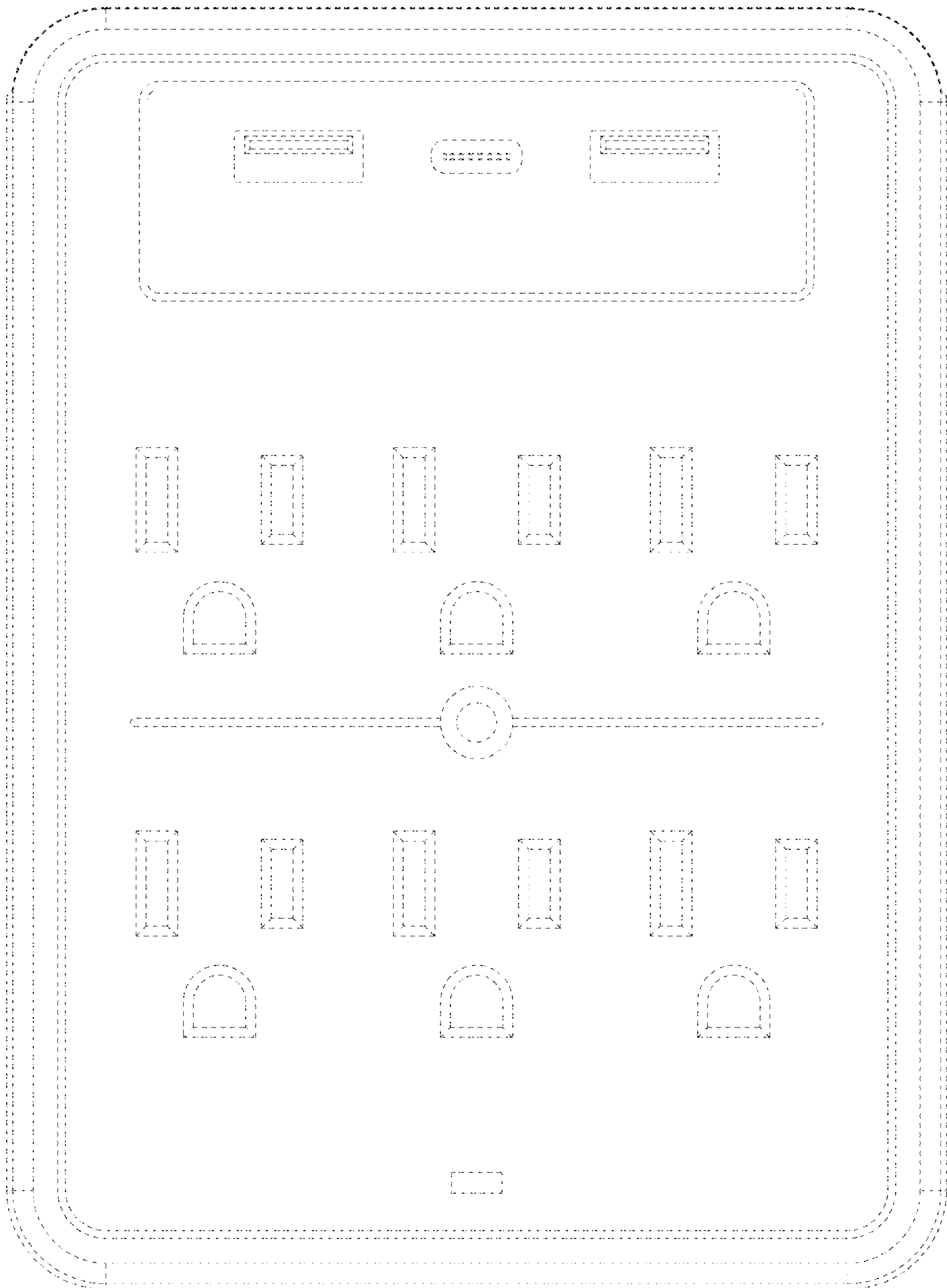


FIG. 12

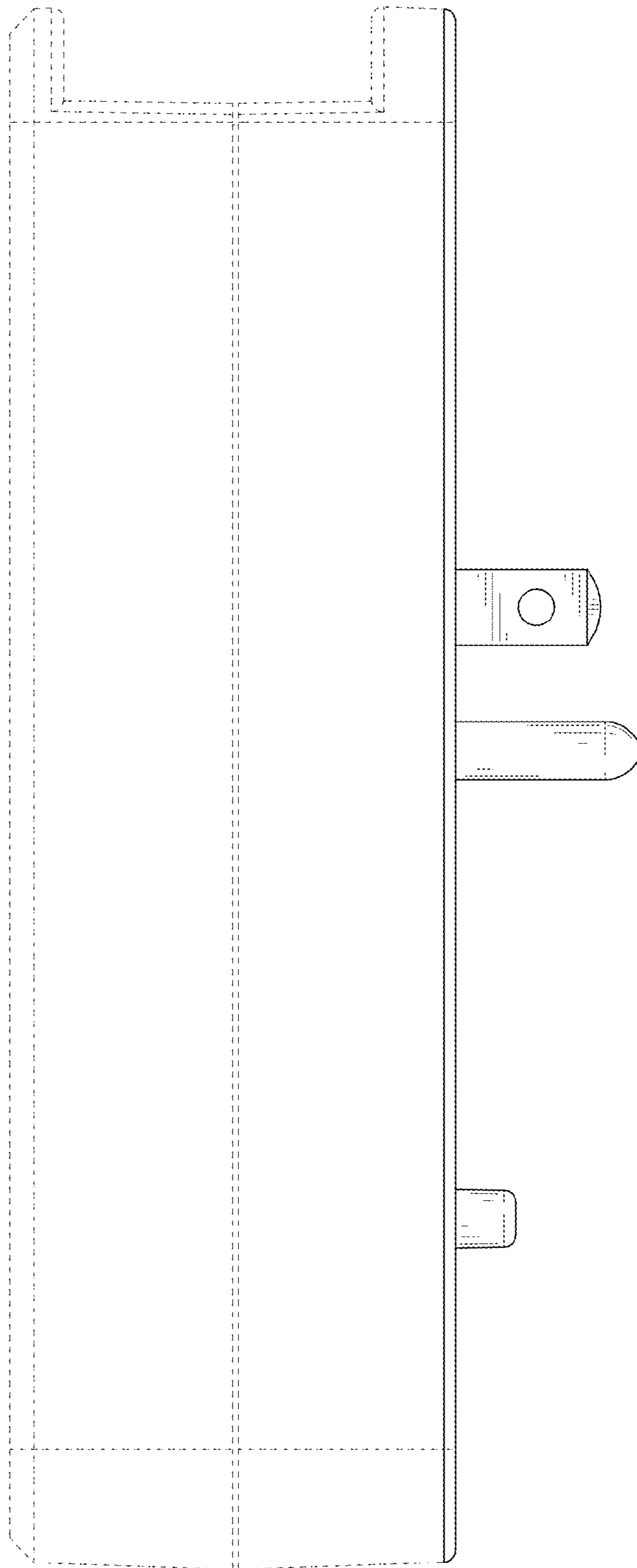


FIG. 13

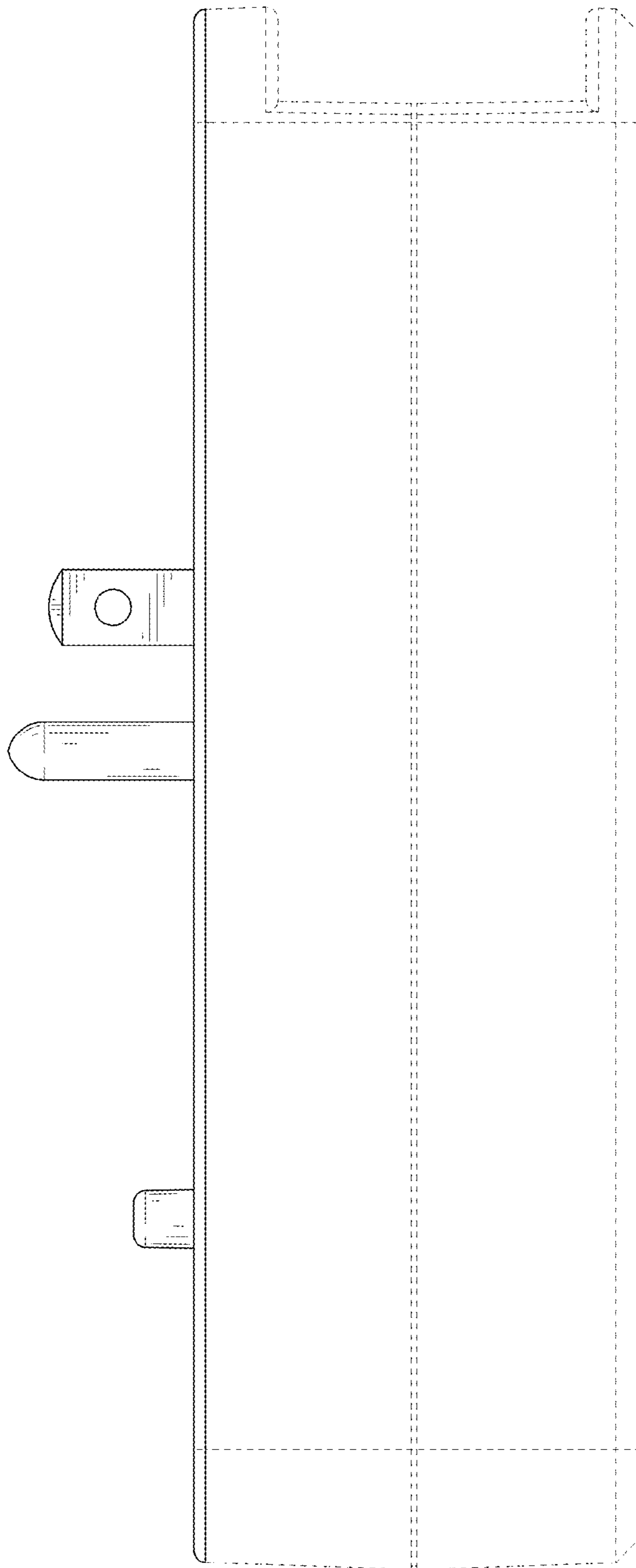


FIG. 14



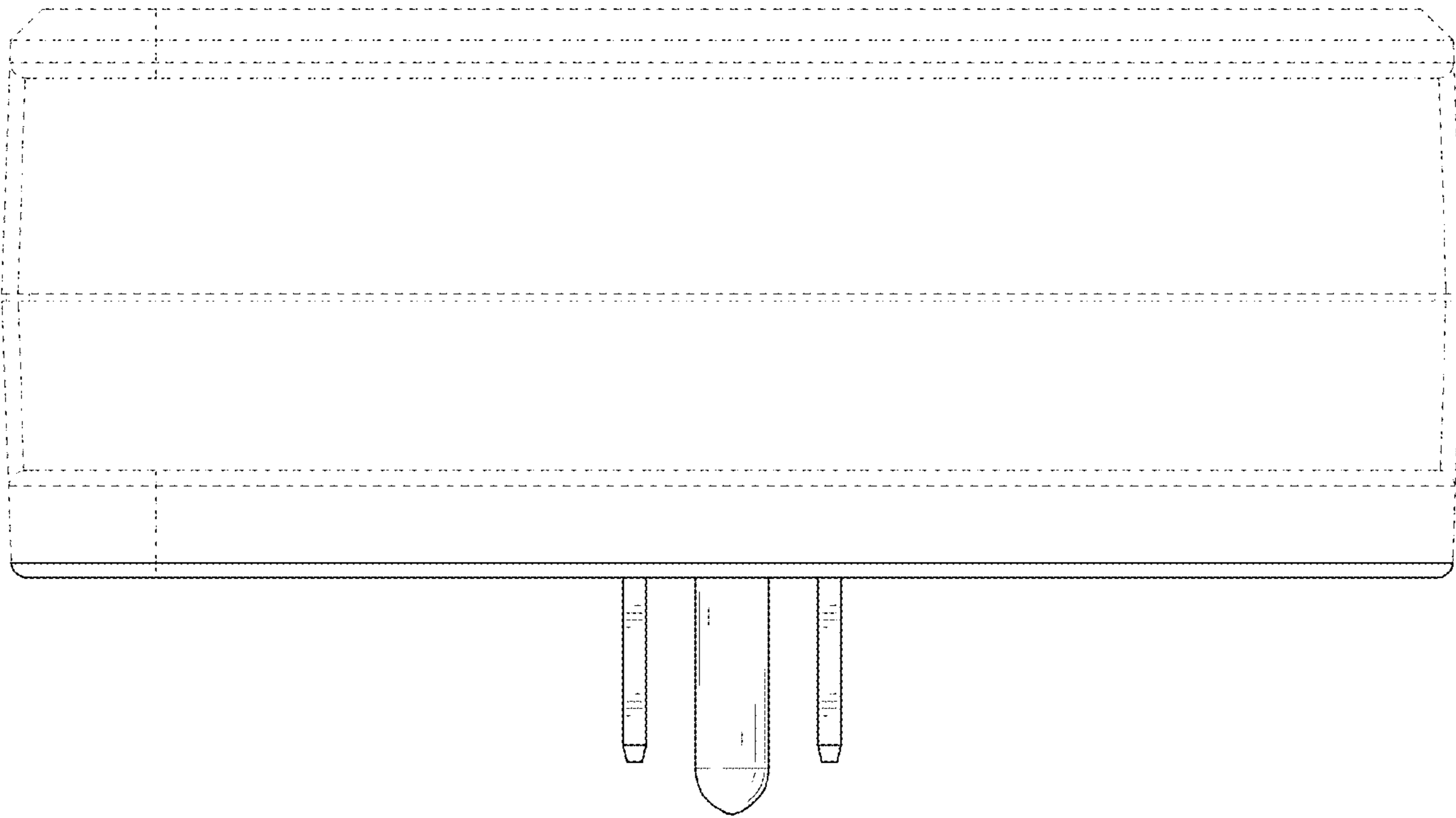


FIG. 15

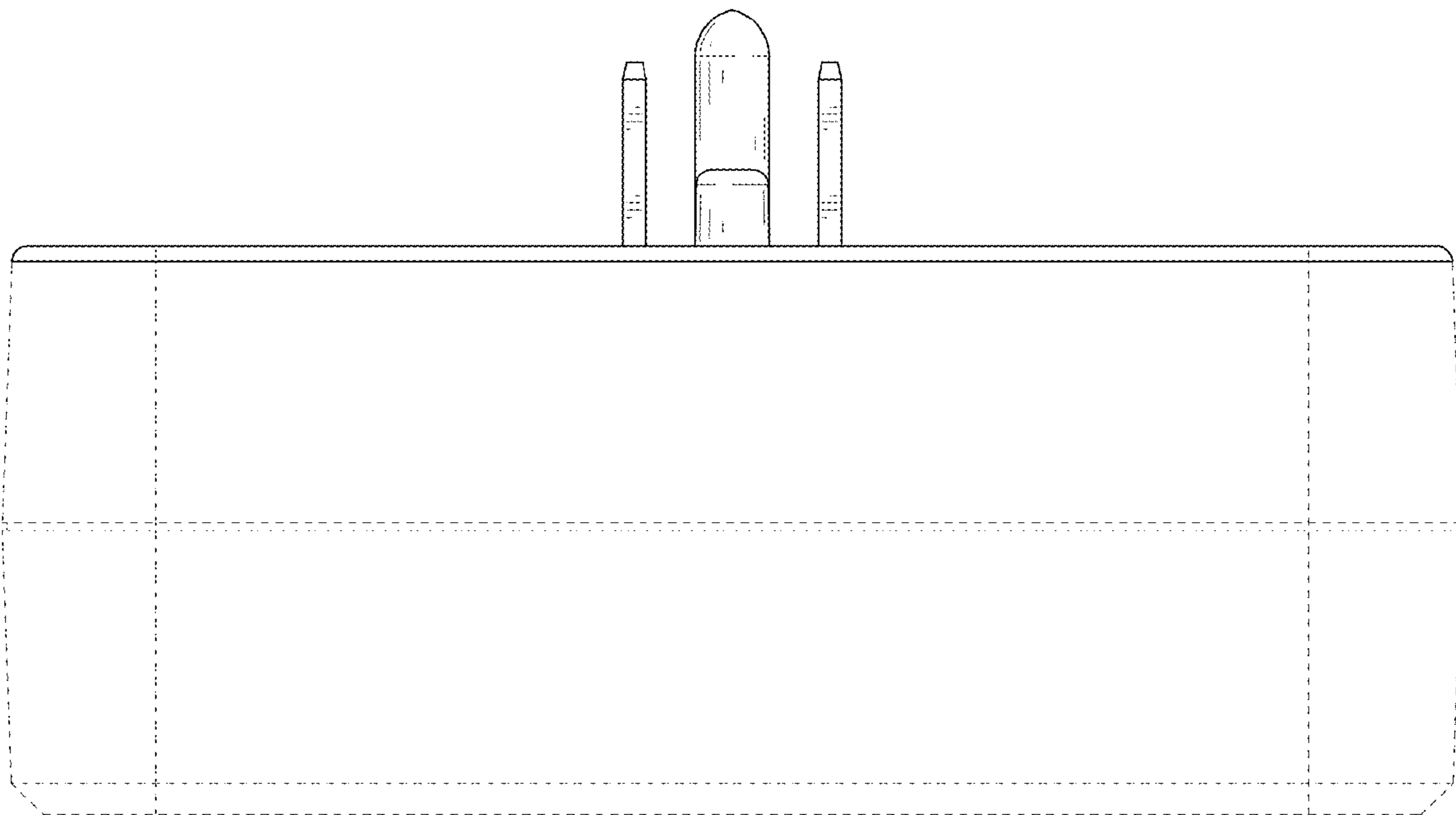


FIG. 16