



US00D970447S

(12) **United States Design Patent**
Guillermin

(10) **Patent No.:** **US D970,447 S**
(45) **Date of Patent:** **** Nov. 22, 2022**

(54) **OPTICAL FIBER CONNECTOR**
(71) Applicant: **3P DESIGN**, Neyron (FR)
(72) Inventor: **Philippe Guillermin**, Neyron (FR)
(73) Assignee: **3P DESIGN**, Neyron (FR)
(**) Term: **15 Years**
(21) Appl. No.: **29/731,955**
(22) Filed: **Apr. 20, 2020**
(30) **Foreign Application Priority Data**

Oct. 24, 2019 (EM) 007086616

(51) **LOC (13) Cl.** **13-03**

(52) **U.S. Cl.**
USPC **D13/133**
CPC **H01R 13/41** (2013.01)

(58) **Field of Classification Search**
USPC D13/133, 146, 147, 151, 153, 154, 184,
D13/199; 385/55, 56, 59, 76-78, 88, 89;
439/180, 246, 252, 259, 278, 296, 306,
439/344, 350, 352-354, 357-359, 374,
439/378-381, 391, 476.1, 527, 529, 530,
439/533, 578, 580, 583-585, 598,
439/606-610, 676, 680, 805, 892, 894;
174/75 C

CPC Y10S 156/923; B08B 2240/02; G02B
6/3807; G02B 6/3813; G02B 6/3814;
G02B 6/3869; G02B 6/3871; G02B
6/3843; G02B 6/3849; G02B 6/3893;
H01R 13/41; H01R 13/424; H01R
13/465; H01R 13/506; H01R 13/562;
H01R 13/582; H01R 13/5841; H01R
24/28; H01R 24/64; H01R 43/20; H01R
2107/00; H01R 25/00; H01R 25/003;
H01R 27/00; H01R 27/02

See application file for complete search history.

(56) **References Cited**

U.S. PATENT DOCUMENTS

D510,071 S * 9/2005 D'Addario D13/154
D564,966 S * 3/2008 Shifris D13/133

D588,549 S * 3/2009 Lee D13/133
D611,423 S * 3/2010 Aldridge D13/147
D617,272 S * 6/2010 The D13/133
D638,799 S * 5/2011 The D13/154
9,323,007 B1 * 4/2016 Yang G02B 6/3825
9,804,340 B1 * 10/2017 Lin G02B 6/3821
10,411,398 B2 * 9/2019 Pepe H01R 43/20

(Continued)

FOREIGN PATENT DOCUMENTS

EM 007086616-0001 * 11/2019
GB 9007086616-0001 * 10/2019

OTHER PUBLICATIONS

“Have you never disconnected the wrong patch cord ? . . .”, first available Oct. 12, 2020, youtube.com, [online], [site visited Mar. 25, 2022], Available from Internet URL: <https://www.youtube.com/watch?v=QOW4LcrNLNI> (Year: 2020).*

(Continued)

Primary Examiner — Richard E Chilcot
(74) *Attorney, Agent, or Firm* — Oliff PLC

(57) **CLAIM**

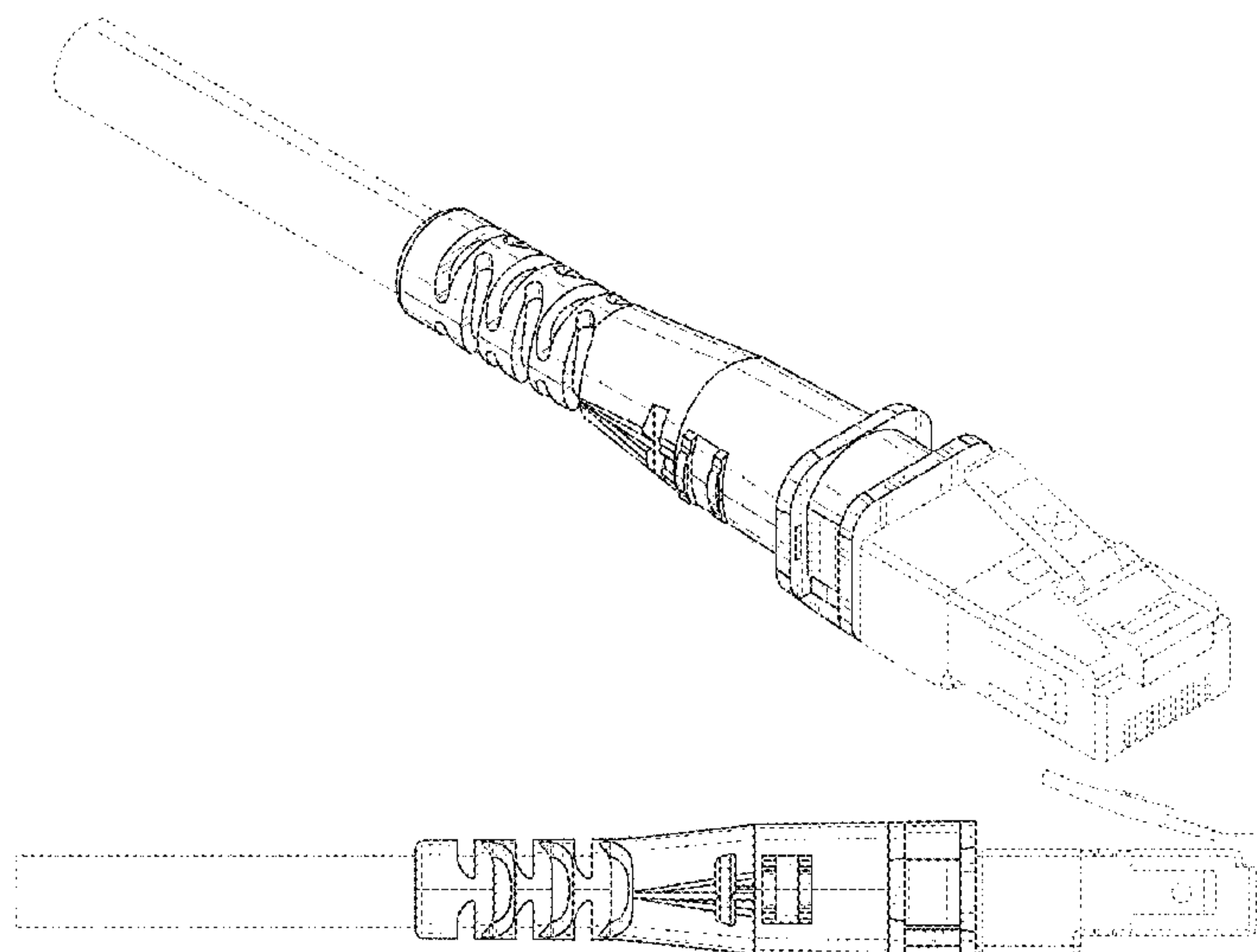
The ornamental design for an optical fiber connector, as shown and described.

DESCRIPTION

FIG. 1 is a front, left-side, top perspective view of the optical fiber connector;
FIG. 2 is a top plan view thereof;
FIG. 3 is a bottom plan view thereof; and,
FIG. 4 is a left-side elevational view thereof, the right-side elevational view (not provided) being a mirror image thereof.

The broken lines depict parts of the optical fiber connector that form no part of the claimed design.

1 Claim, 4 Drawing Sheets



(56)

References Cited

U.S. PATENT DOCUMENTS

2003/0063865	A1 *	4/2003	Holmquist	G02B 6/3813 385/75
2003/0142919	A1 *	7/2003	Zimmel	G02B 6/3871 385/60
2007/0211998	A1 *	9/2007	Muhlegg	G02B 6/3869 385/62
2012/0322310	A1 *	12/2012	Taylor	H01R 27/02 439/620.23
2015/0050827	A1 *	2/2015	Chang	H01R 13/6275 439/312
2015/0207283	A1 *	7/2015	Guitard	H01R 13/6594 439/502
2021/0382245	A1 *	12/2021	Wong	G02B 6/3821

OTHER PUBLICATIONS

“The New RJ45 network cabling tools . . .”, first available Oct. 5, 2020, youtube.com, [online], [site visited Mar. 25, 2022], Available

from Internet URL: <https://www.youtube.com/watch?v=gJUjnAttQ8s> (Year: 2020).*

“Ultra Slim Patch Cords: ThinPATCH . . .”, first available Aug. 9, 2020, patchsee.com, [online], [site visited Mar. 25, 2022], Available from Internet URL: <https://www.patchsee.com/en/ultra-slim-ethernet-cable.php> (Year: 2020).*

“Patchsee 10GB Intelligent Patch Cables”, “Date not available.”, patchsavesolutions.com, [online], [site visited Mar. 25, 2022], Available from Internet URL: <https://patchsavesolutions.com/134-patchsee-10gb-intelligent-patch-cables> (Year: NA).*

“ThinkPATCH UTP Technical Data Sheet”, first available Dec. 12, 2018, patchsee.com, [online], [site visited Mar. 25, 2022], Available from Internet URL: <https://www.patchsee.com/pdf/fiches-techniques/TechnicalDataSheet-ThinPATCH-U-UTP.pdf> (Year: 2018).*

“ThinkPATCH FTP Technical Data Sheet”, first available Dec. 12, 2018, patchsee.com, [online], [site visited Mar. 25, 2022], Available from Internet URL: <https://www.patchsee.com/pdf/fiches-techniques/TechnicalDataSheet-ThinPATCH-U-FTP.pdf> (Year: 2018).*

* cited by examiner

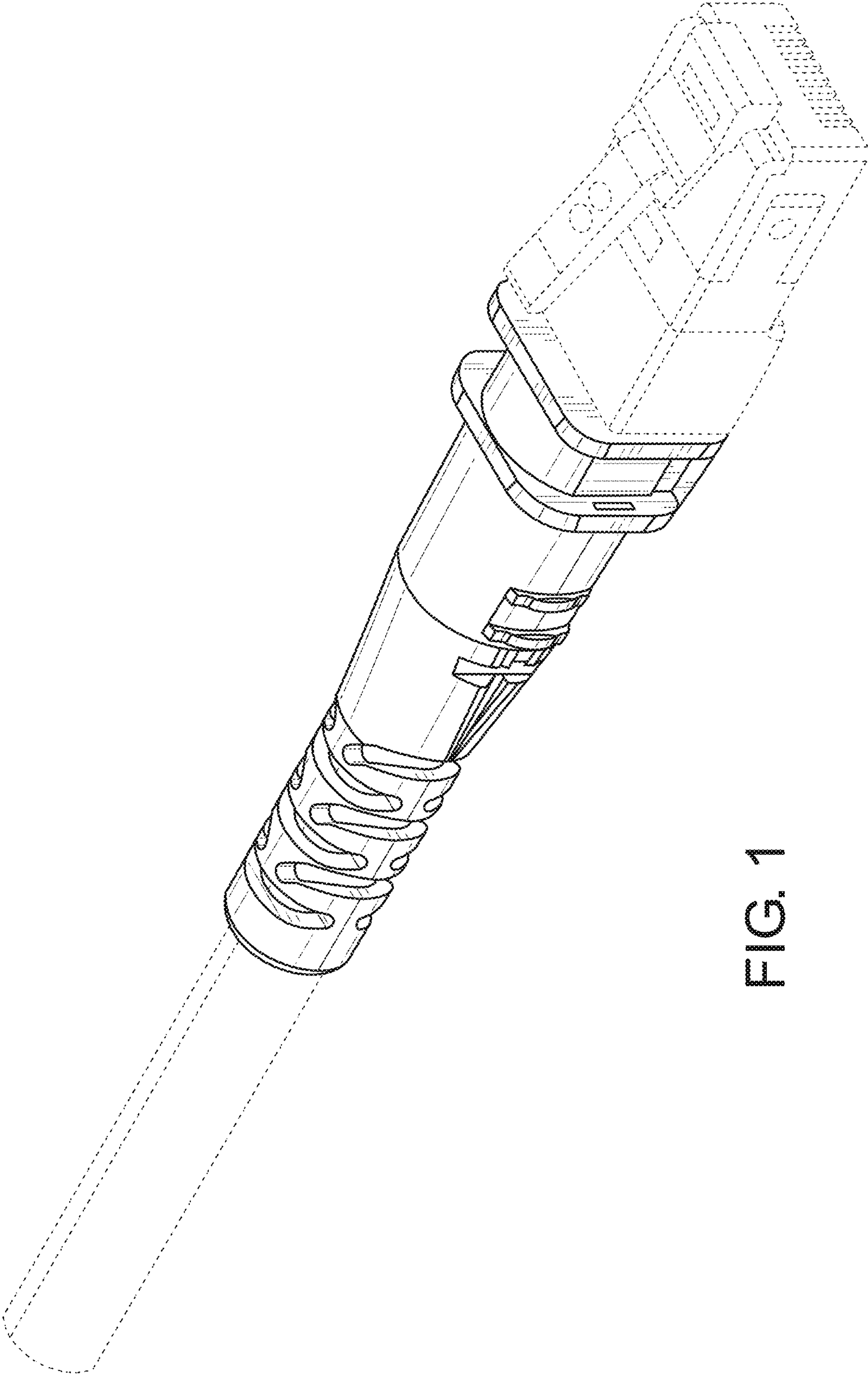


FIG. 1

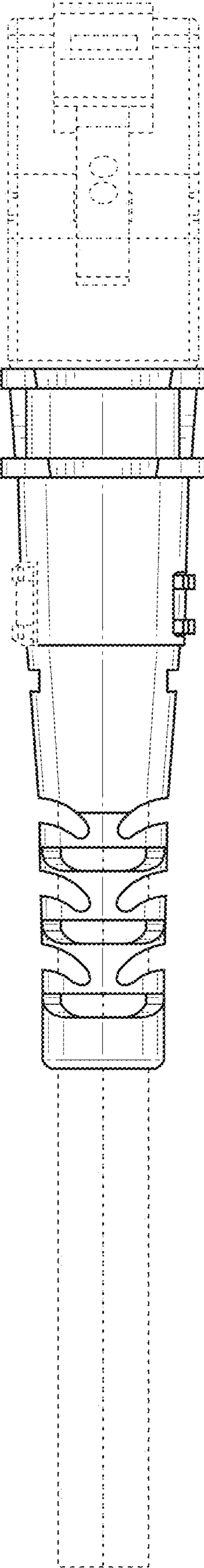


FIG. 2

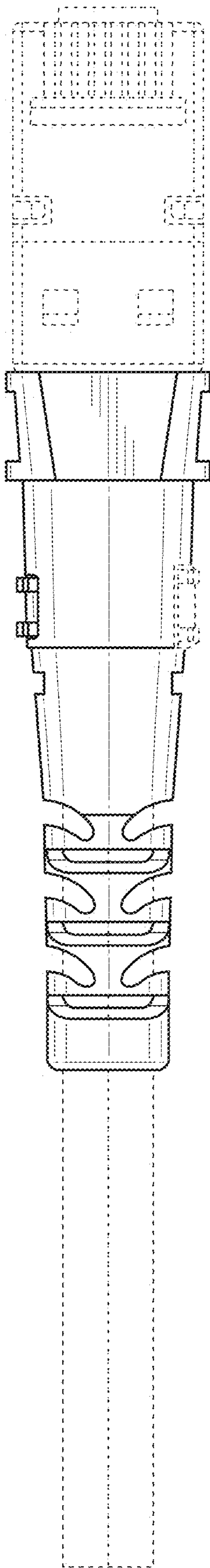


FIG. 3

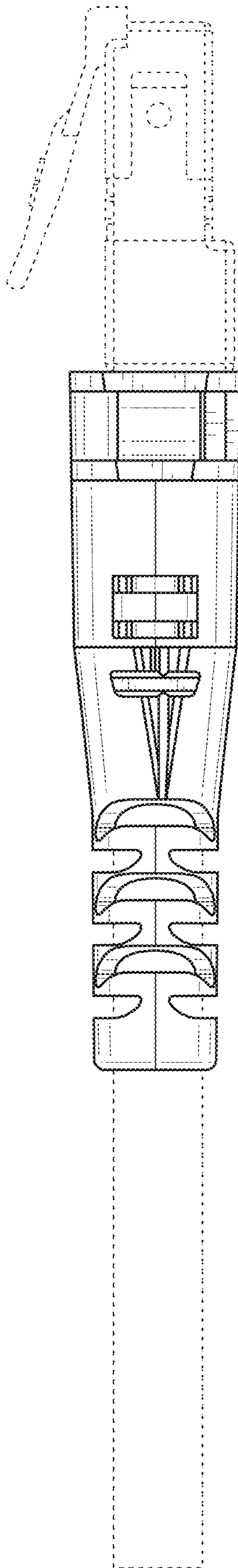


FIG. 4