



US00D970446S

(12) **United States Design Patent**
He

(10) **Patent No.:** **US D970,446 S**

(45) **Date of Patent:** **** Nov. 22, 2022**

(54) **BATTERY CASE**

(71) Applicant: **Baoying county Guanmei glass art Co., Ltd.**, Jiangsu (CN)

(72) Inventor: **Xuefu He**, Jiangsu (CN)

(73) Assignee: **Baoying county Guanmei glass art Co., Ltd.**, Yangzhou (CN)

(**) Term: **15 Years**

(21) Appl. No.: **29/841,999**

(22) Filed: **Jun. 9, 2022**

(51) **LOC (13) Cl.** **13-02**

(52) **U.S. Cl.**
USPC **D13/119**

(58) **Field of Classification Search**
USPC D13/101, 102, 103, 104, 105, 106, 107,
D13/108, 109, 110, 118, 119, 120, 184,
D13/199

CPC .. H05K 5/0021; H05K 5/0034; H05K 5/0047;
H05K 5/0069; H05K 5/0086; H01M
50/20; H01M 50/204; H01M 50/207;
H01M 50/213; H01M 10/345; H01M
10/425; H01M 2220/30

See application file for complete search history.

(56) **References Cited**

U.S. PATENT DOCUMENTS

D462,656 S 9/2002 Degen
D773,396 S * 12/2016 Hoffgaard D13/119

D812,024 S * 3/2018 Lewis D13/184
D860,943 S * 9/2019 Xie D13/119
D860,958 S * 9/2019 Lewis D13/184
D884,603 S * 5/2020 Xie D13/103
D932,424 S 10/2021 Zhao
D933,013 S * 10/2021 Ludwig D13/103

* cited by examiner

Primary Examiner — Derrick E Holland

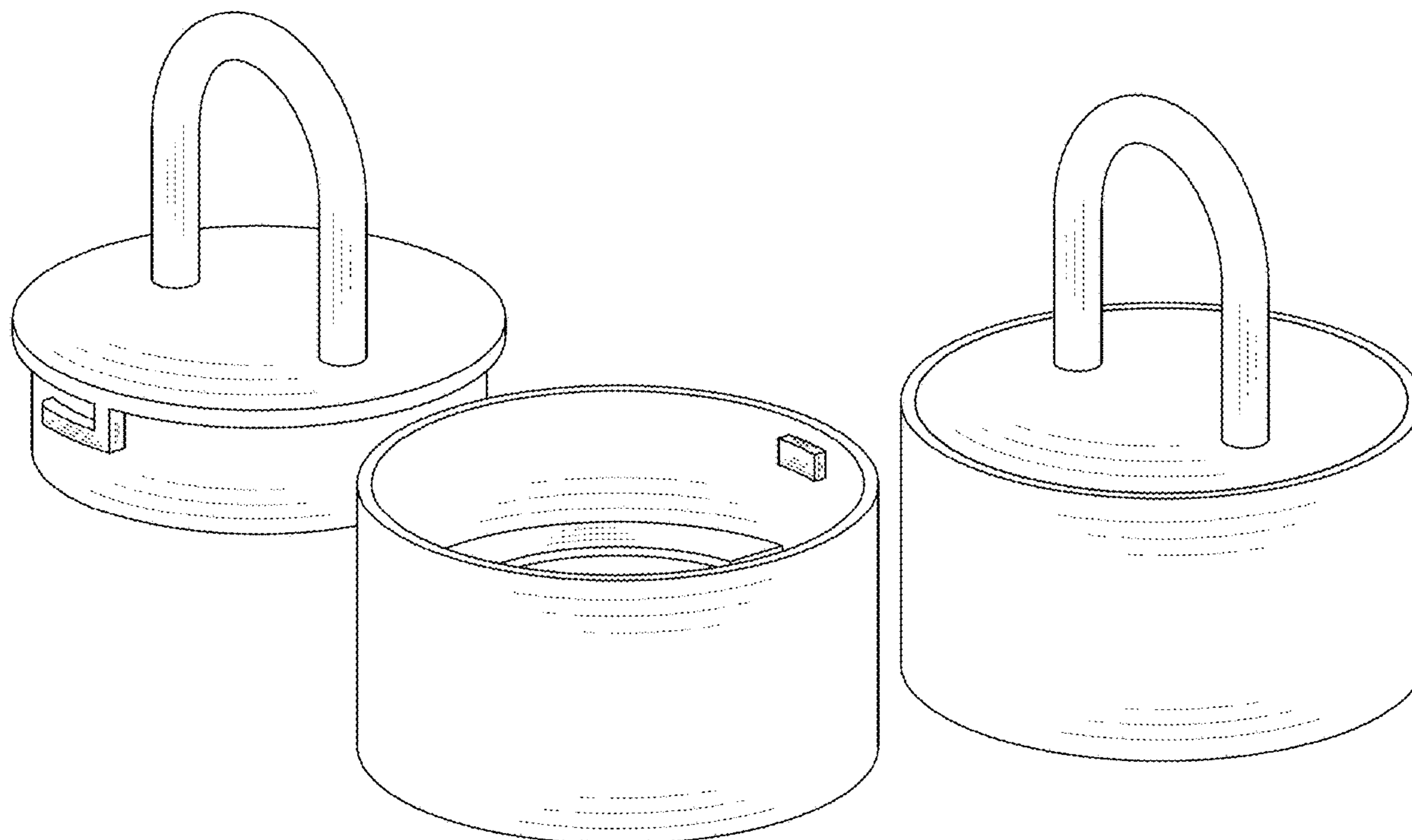
(57) **CLAIM**

The ornamental design for a battery case, substantially as shown and described.

DESCRIPTION

FIG. 1 is a top, front and right side perspective view of a battery case in open status showing my new design;
FIG. 2 is another perspective view thereof;
FIG. 3 is another perspective view thereof, in a closed status;
FIG. 4 is a front view thereof, in an open status;
FIG. 5 is a back view thereof;
FIG. 6 is a left view thereof;
FIG. 7 is a right view thereof;
FIG. 8 is a top view thereof; and,
FIG. 9 is a bottom view thereof.

1 Claim, 9 Drawing Sheets



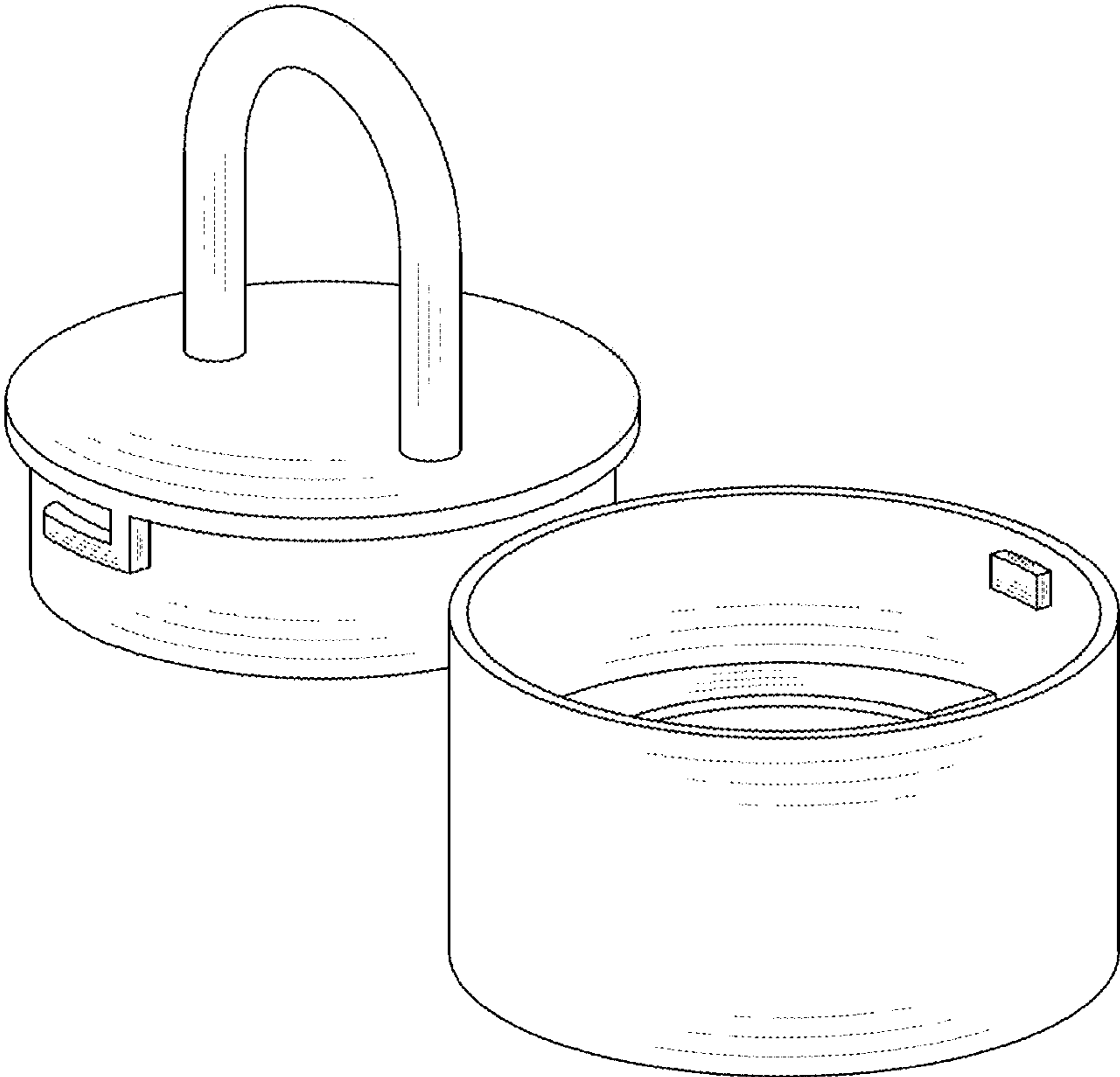


FIG. 1

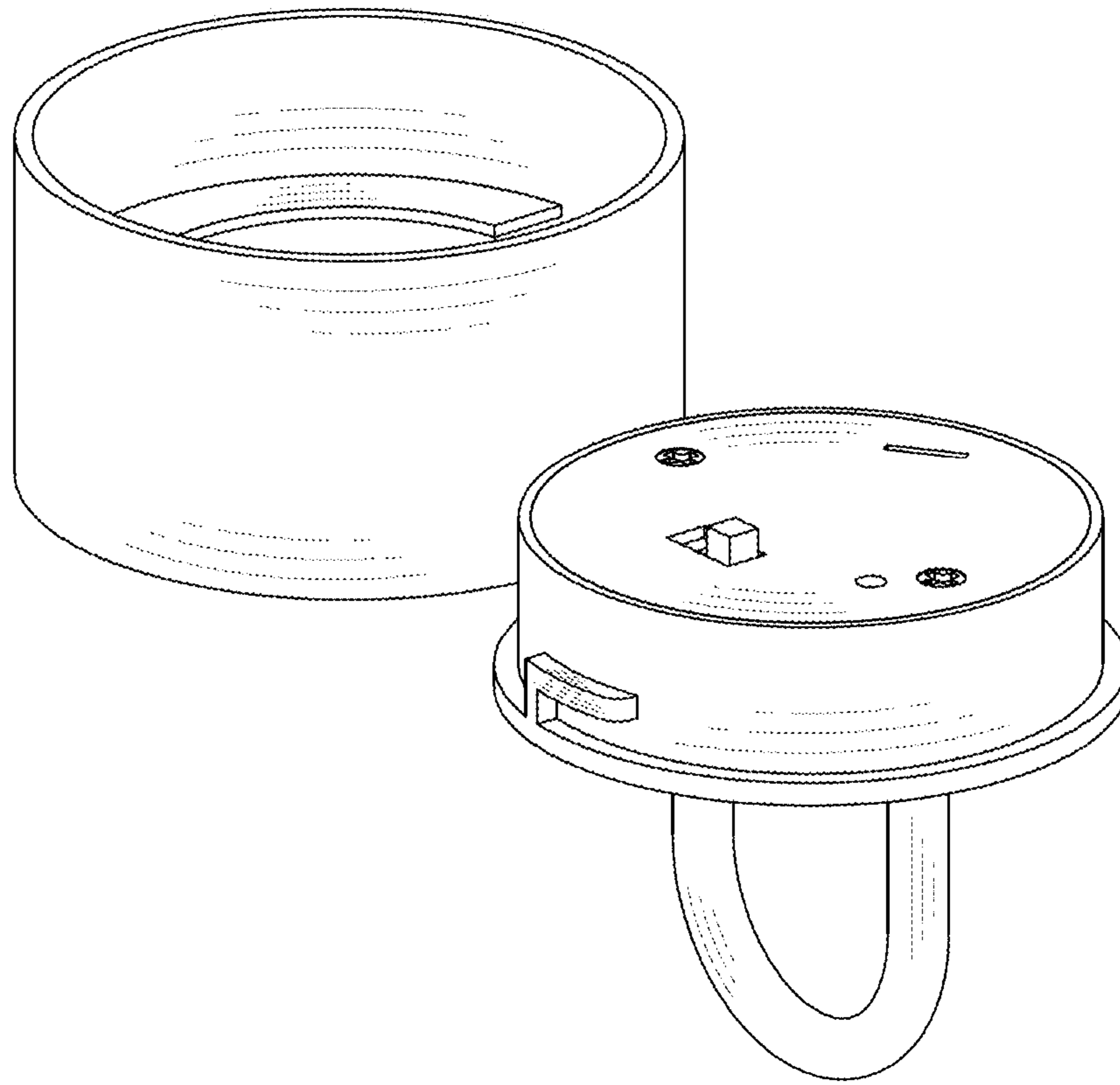


FIG. 2

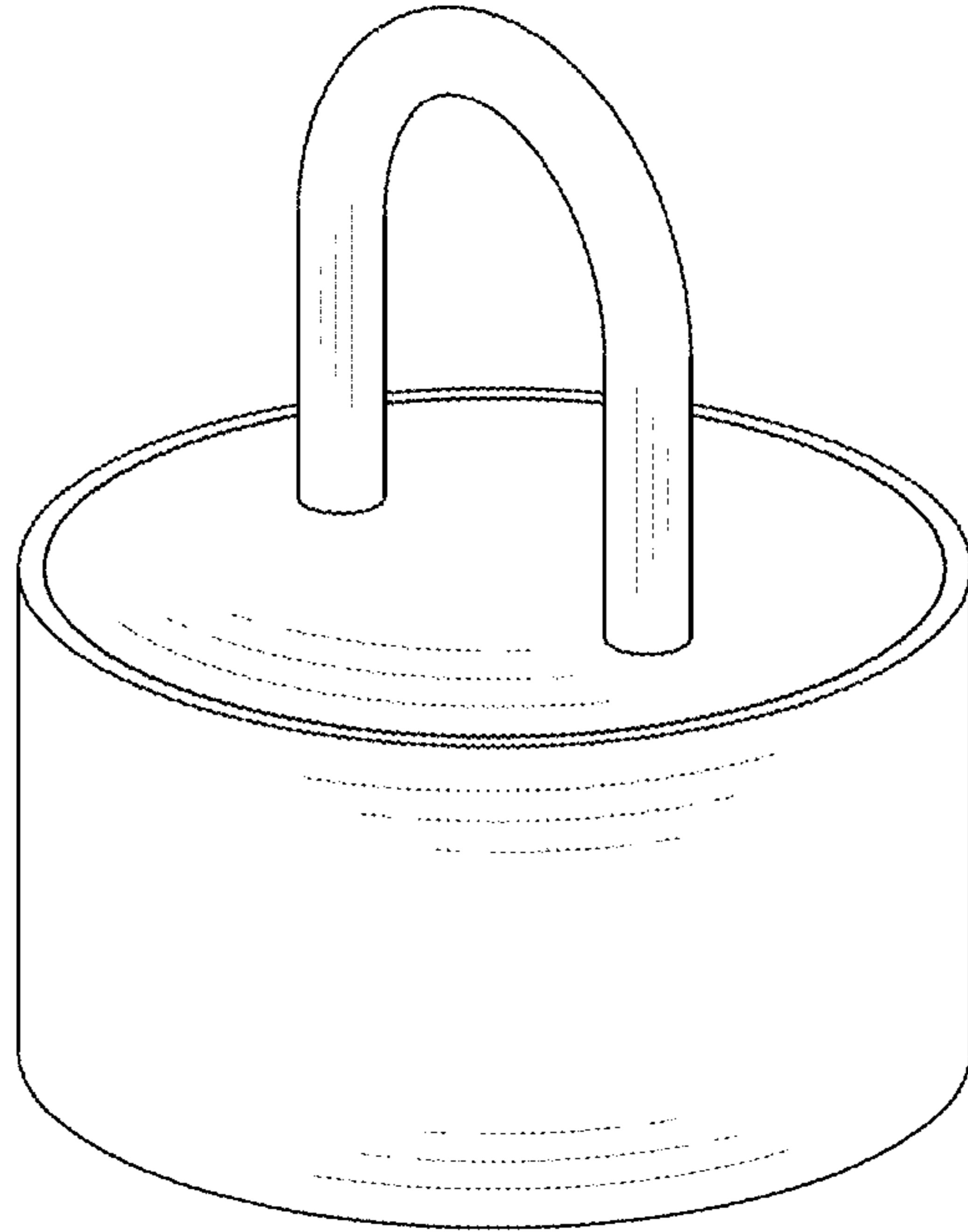


FIG. 3

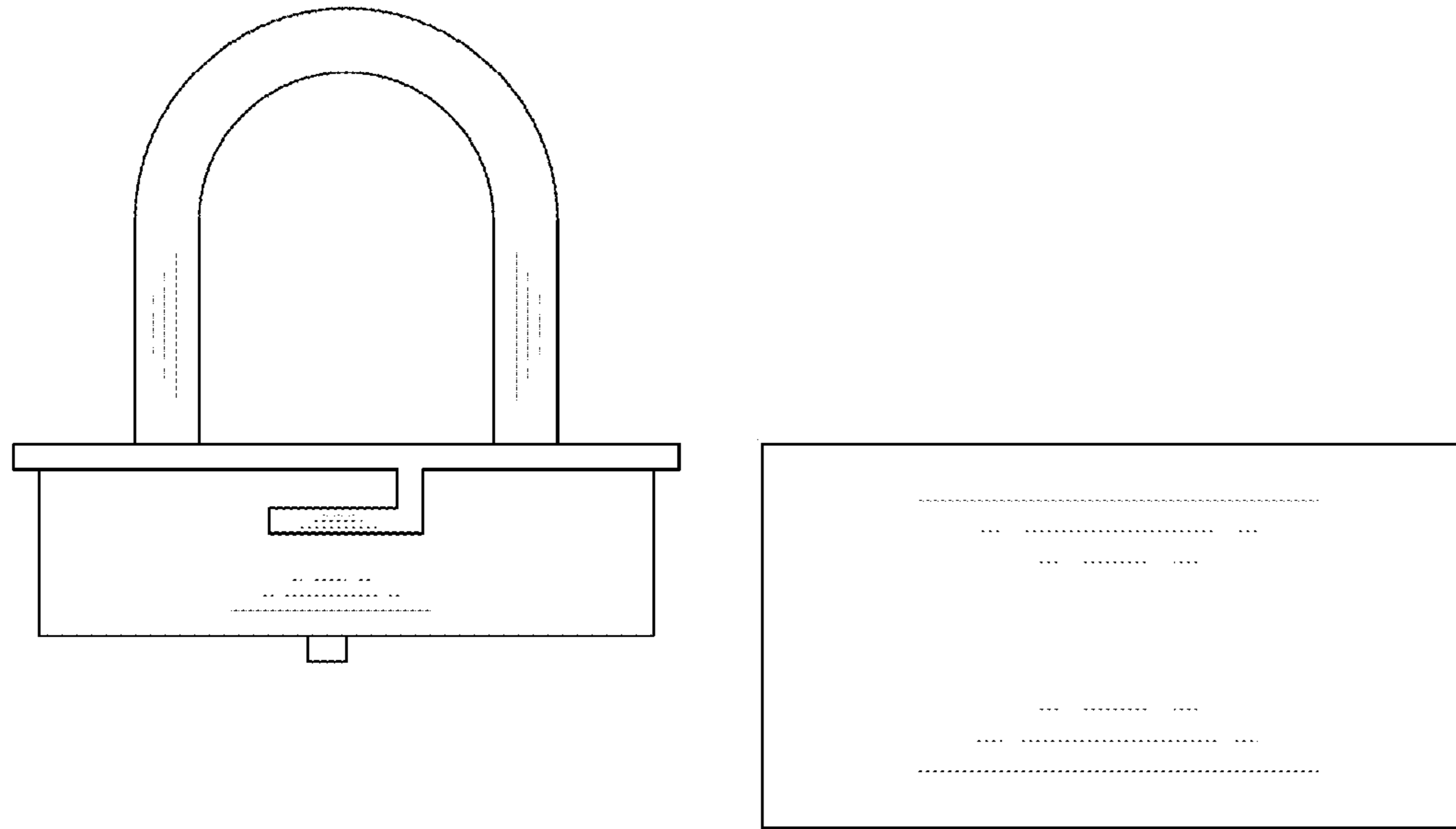


FIG. 4

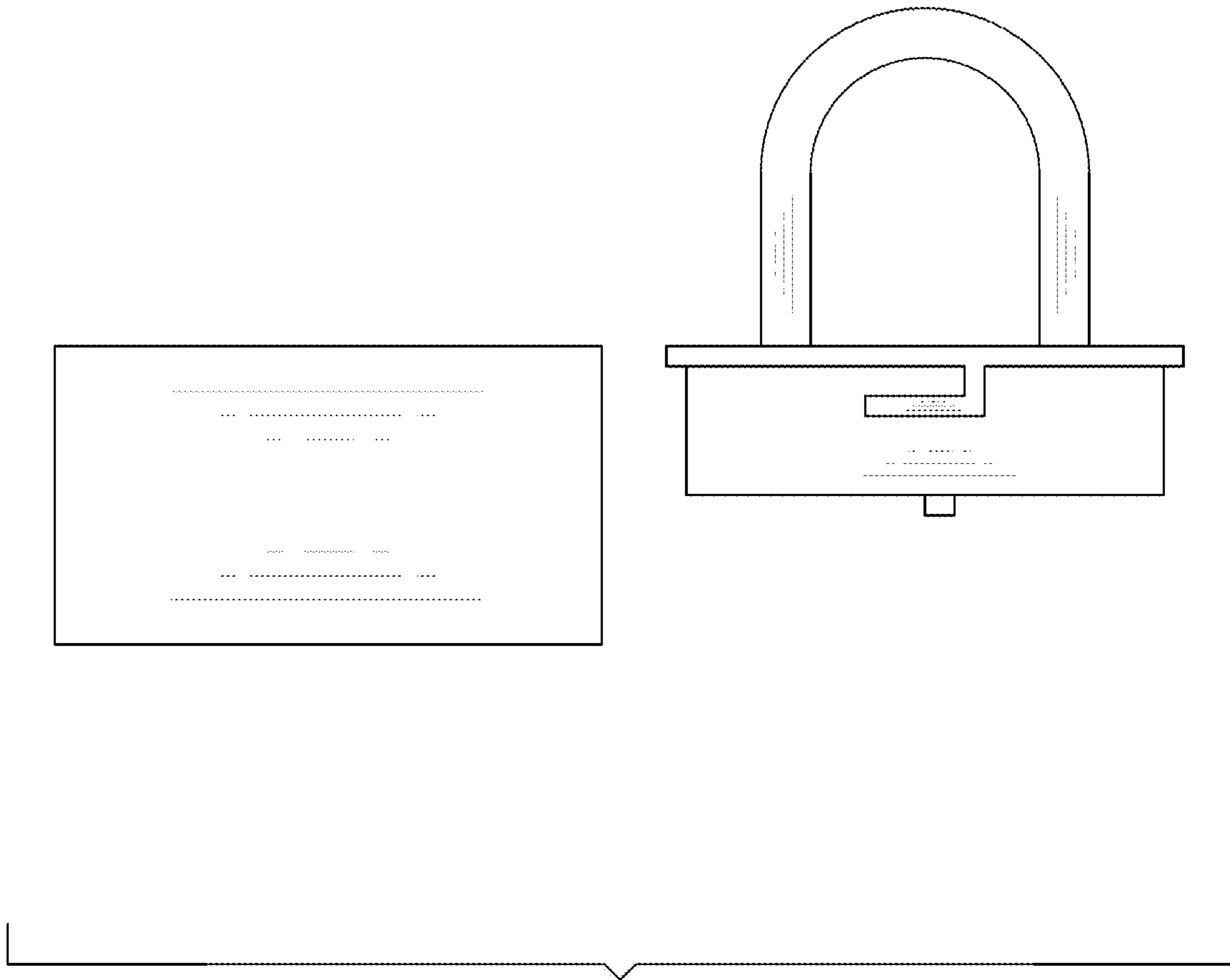


FIG. 5

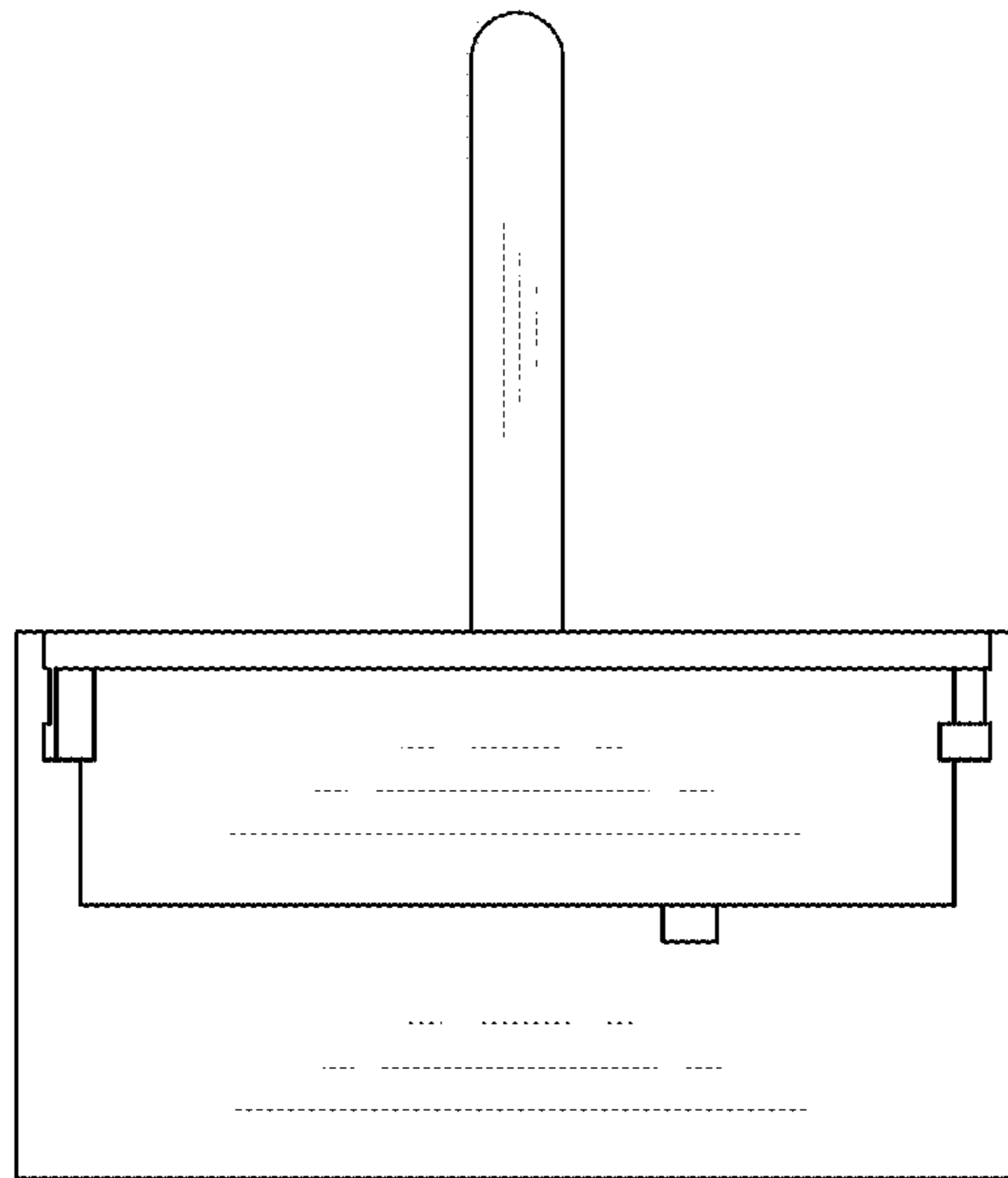


FIG. 6

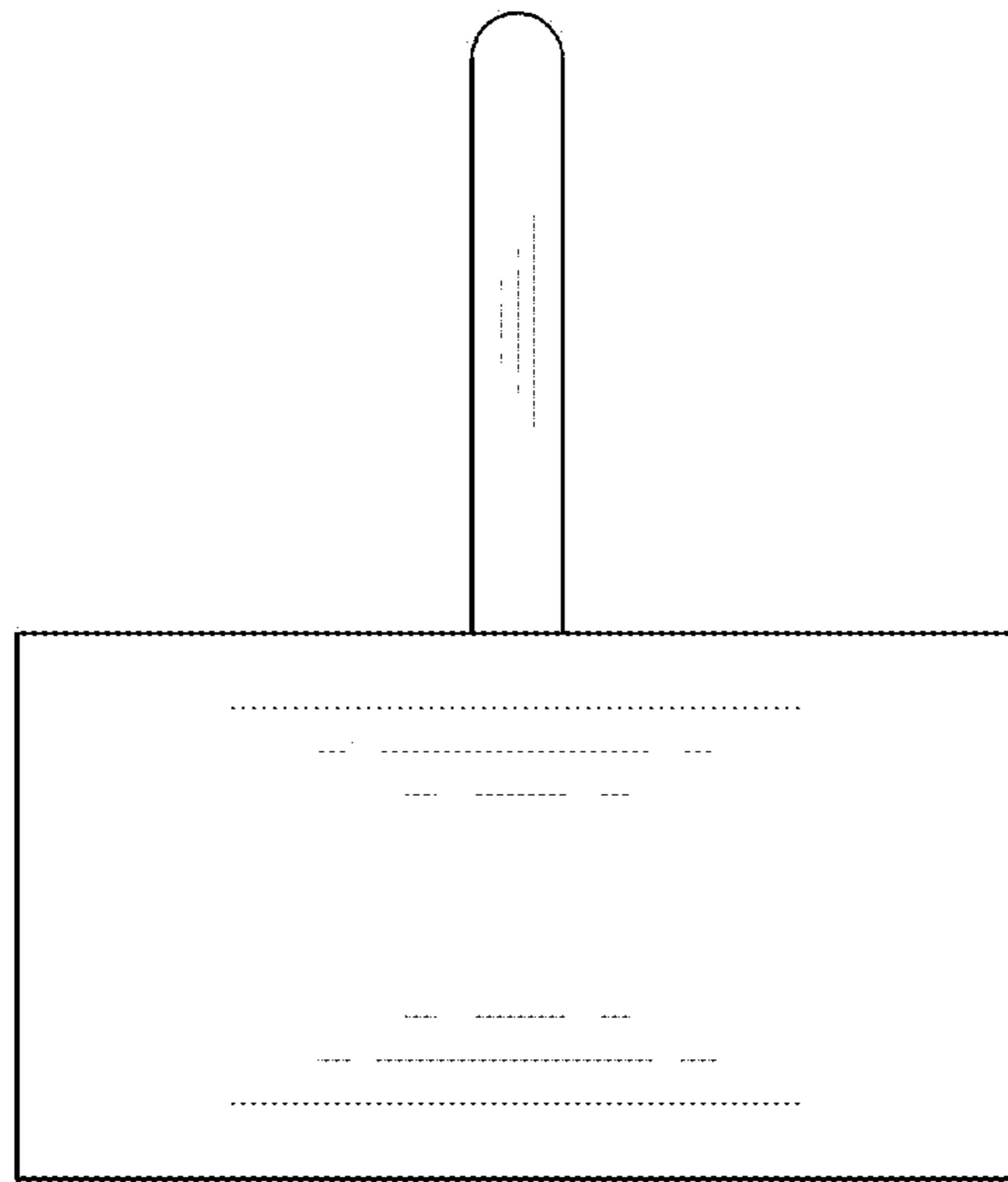


FIG. 7

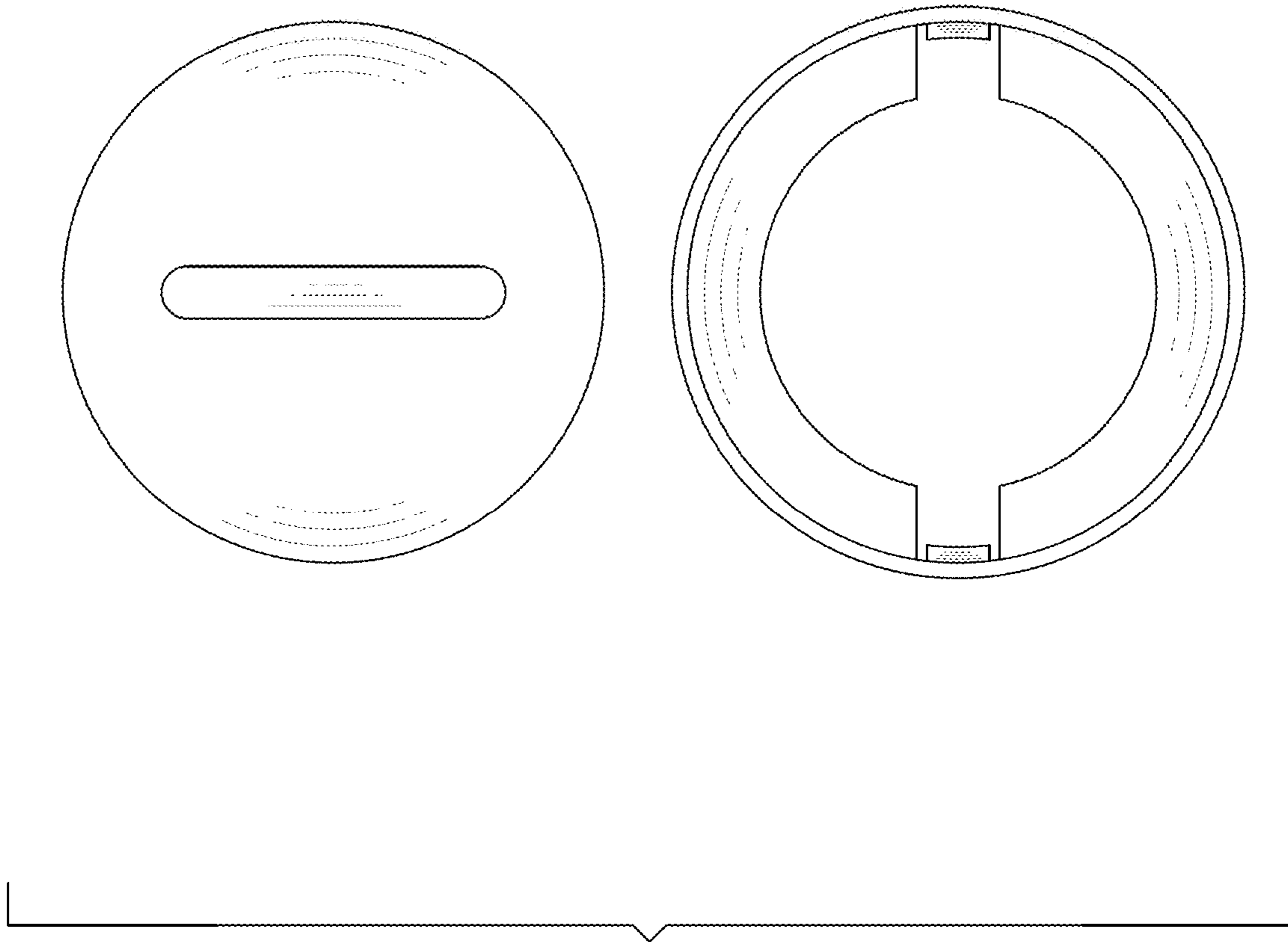


FIG. 8

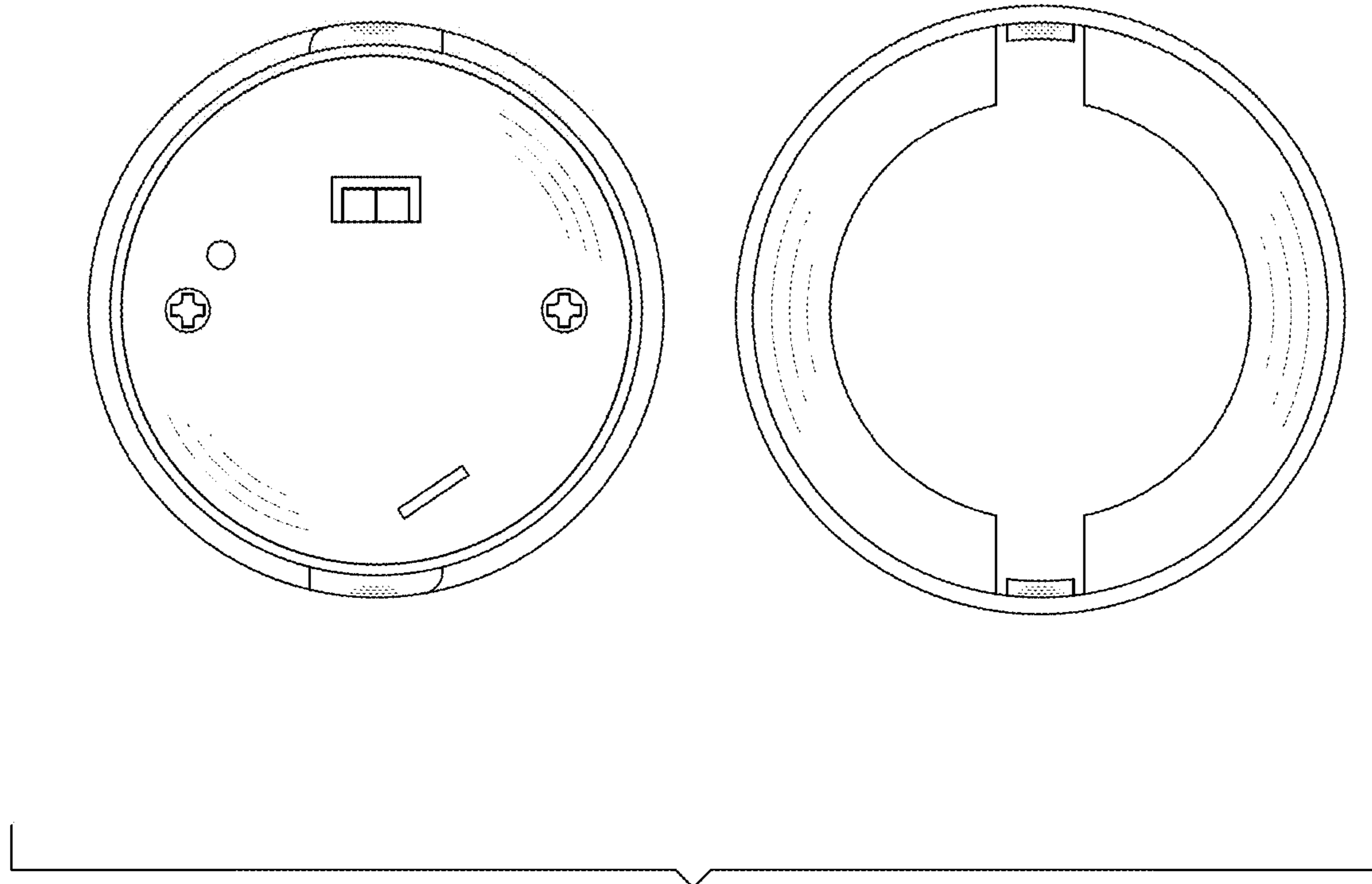


FIG. 9