



US00D970445S

(12) **United States Design Patent** (10) **Patent No.:** **US D970,445 S**  
**Simon et al.** (45) **Date of Patent:** **\*\* Nov. 22, 2022**

(54) **ELECTRICAL GENERATOR**

(56) **References Cited**

(71) Applicant: **Cummins Generator Technologies Limited**, Peterborough (GB)

(72) Inventors: **Kevan John Simon**, Peterborough (GB); **Neil Brown**, Peterborough (GB); **Peethamparam Anpalahan**, Peterborough (GB); **Philip Bend**, Peterborough (GB); **Robert Mitchell Rolston**, Peterborough (GB)

(73) Assignee: **Cummins Generator Technologies Limited**, Peterborough (GB)

U.S. PATENT DOCUMENTS

D207,401 S *	4/1967	Andrews et al. ....	D13/114
D295,621 S	5/1988	Lent et al.	
D314,742 S *	2/1991	Sieber .....	D13/114
D398,285 S *	9/1998	Becker .....	D13/114
D425,020 S *	5/2000	Becker .....	D13/114
D467,541 S *	12/2002	Hemphill .....	D13/114
D574,325 S	8/2008	Naghshineh	
D618,615 S	6/2010	Basic et al.	
7,965,005 B2 *	6/2011	Schmidt .....	H02K 9/14 310/71
D712,354 S	9/2014	Veeh et al.	
D772,814 S	11/2016	Rivault et al.	
D780,119 S	2/2017	Schieck	
D794,563 S	8/2017	Matta et al.	
D812,566 S *	3/2018	Kaneko .....	D13/112

(\*\*) Term: **15 Years**

(21) Appl. No.: **29/817,965**

(22) Filed: **Dec. 6, 2021**

**Related U.S. Application Data**

(62) Division of application No. 29/699,414, filed on Jul. 25, 2019, now Pat. No. Des. 937,776.

(30) **Foreign Application Priority Data**

Jan. 28, 2019	(EM) .....	006094272-0002
Jan. 28, 2019	(EM) .....	006094272-0006
Jan. 28, 2019	(EM) .....	006094272-0007

(51) **LOC (13) Cl.** ..... **13-01**

(52) **U.S. Cl.**  
USPC ..... **D13/112**

(58) **Field of Classification Search**  
USPC ..... D13/101, 112, 113, 114, 117, 118, 120, D13/122, 199; D15/1, 3, 5, 199  
CPC . F02B 63/04; H02K 3/24; H02K 3/47; H02K 1/12; H02K 5/02; H02K 5/04; H02K 5/08; H02K 5/18; H02K 5/20; H02K 11/0094; H02K 9/06; H02K 9/14; H02K 15/00

See application file for complete search history.

\* cited by examiner

*Primary Examiner* — Derrick E Holland  
(74) *Attorney, Agent, or Firm* — Foley & Lardner LLP

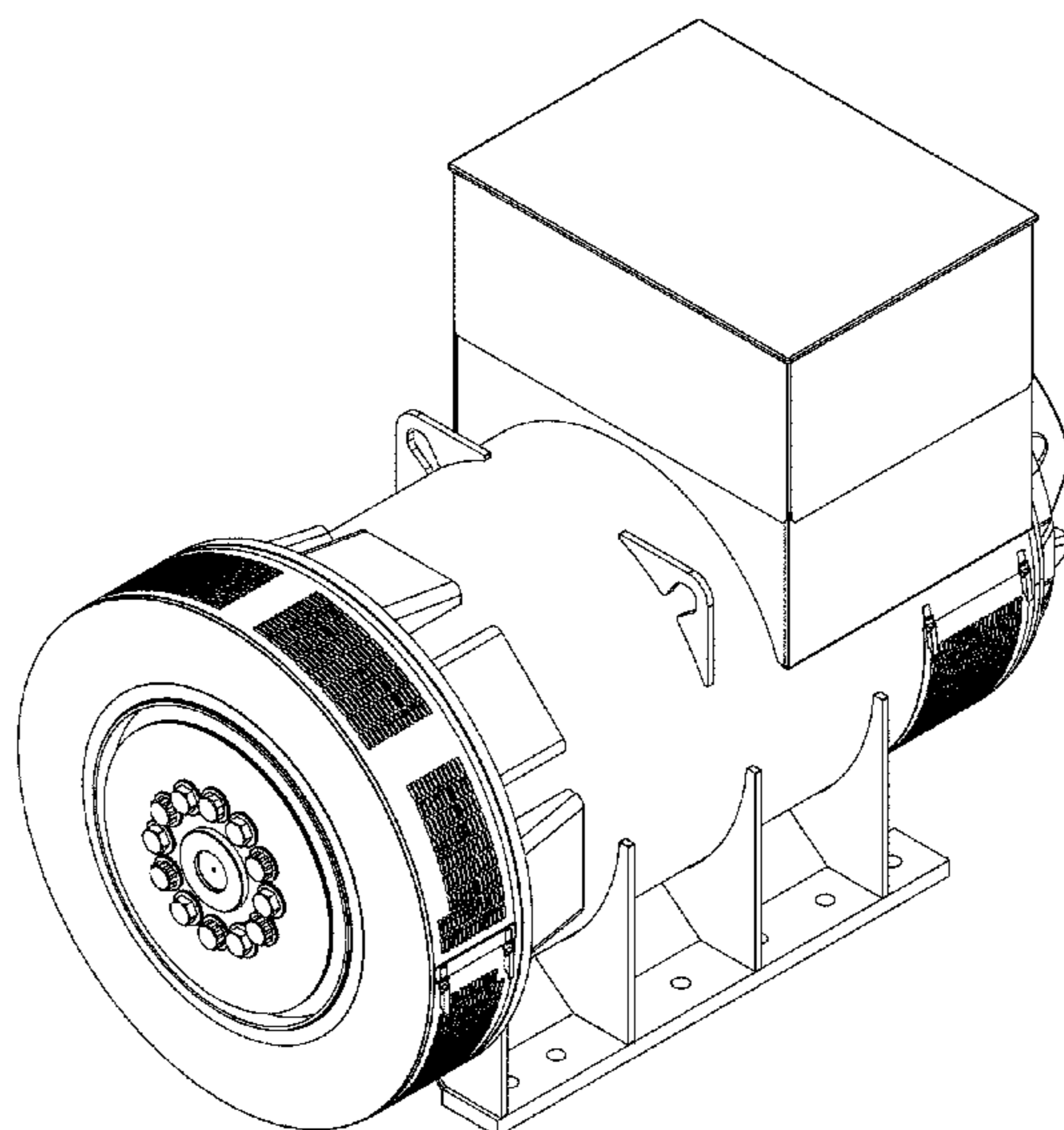
(57) **CLAIM**

We claim the ornamental design for an electrical generator, as shown and described.

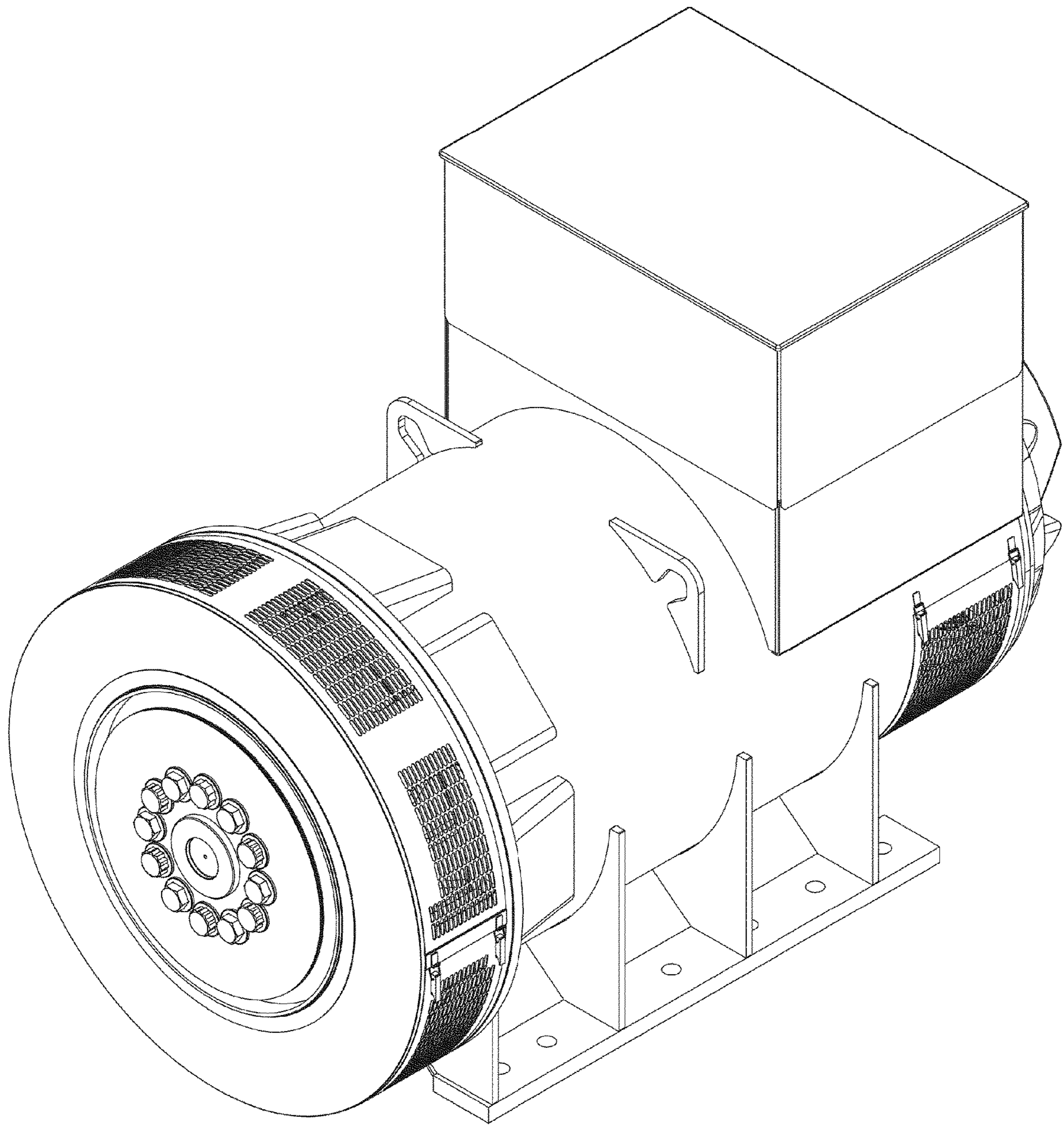
**DESCRIPTION**

FIG. 1 is a top, front, left isometric view of of an electric generator showing the new design;  
FIG. 2 is a left side elevational view thereof;  
FIG. 3 is a right side elevational view thereof;  
FIG. 4 is a rear elevational view thereof;  
FIG. 5 is a front elevational view thereof;  
FIG. 6 is a top plan view thereof; and,  
FIG. 7 is a bottom plan view thereof.  
The ornamental design which is claimed is shown in solid lines in the drawings. Any broken lines in the figures illustrate portions of the electrical generator that form no part of the claimed design.

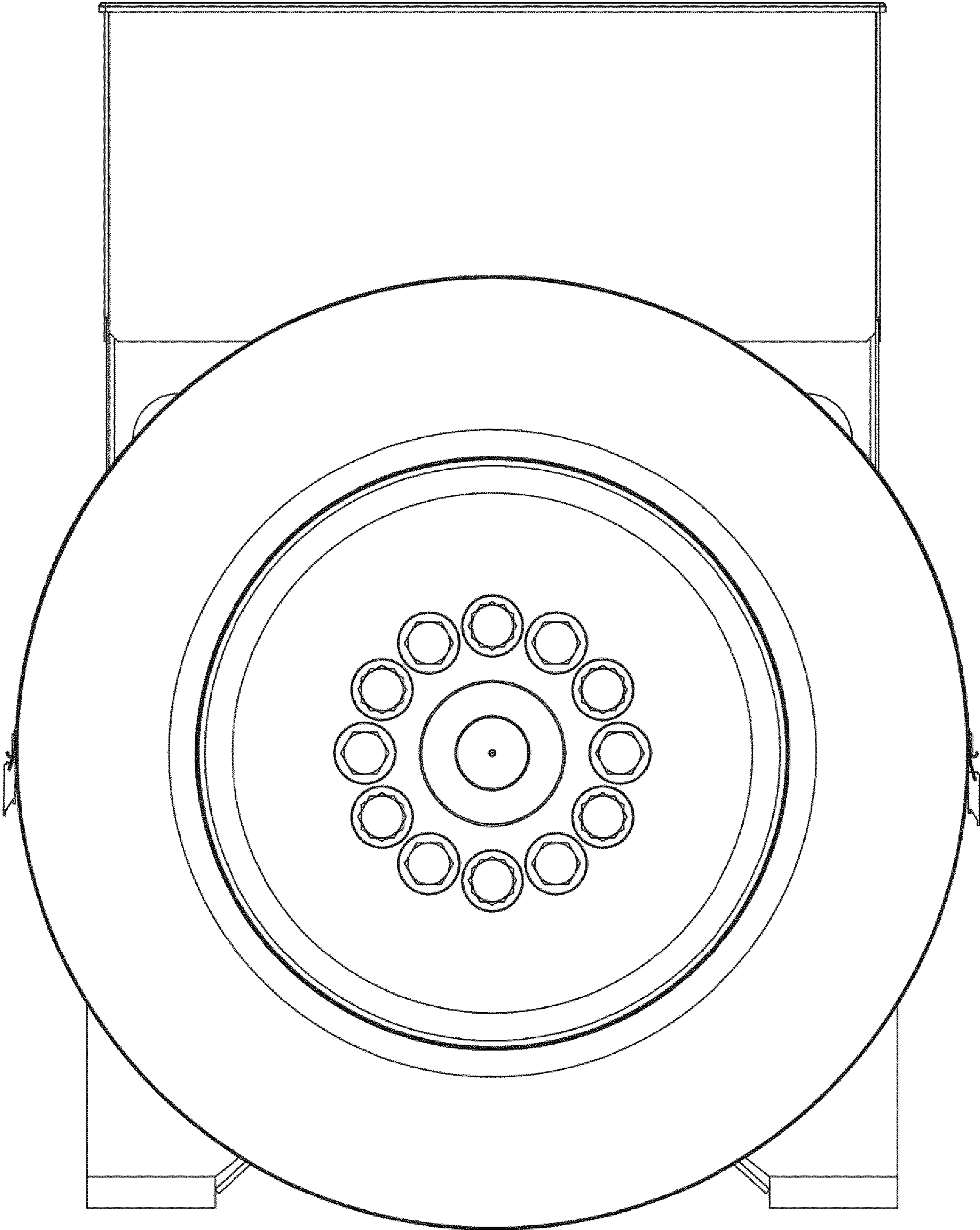
**1 Claim, 7 Drawing Sheets**



**FIG. 1**



**FIG. 2**



**FIG. 3**

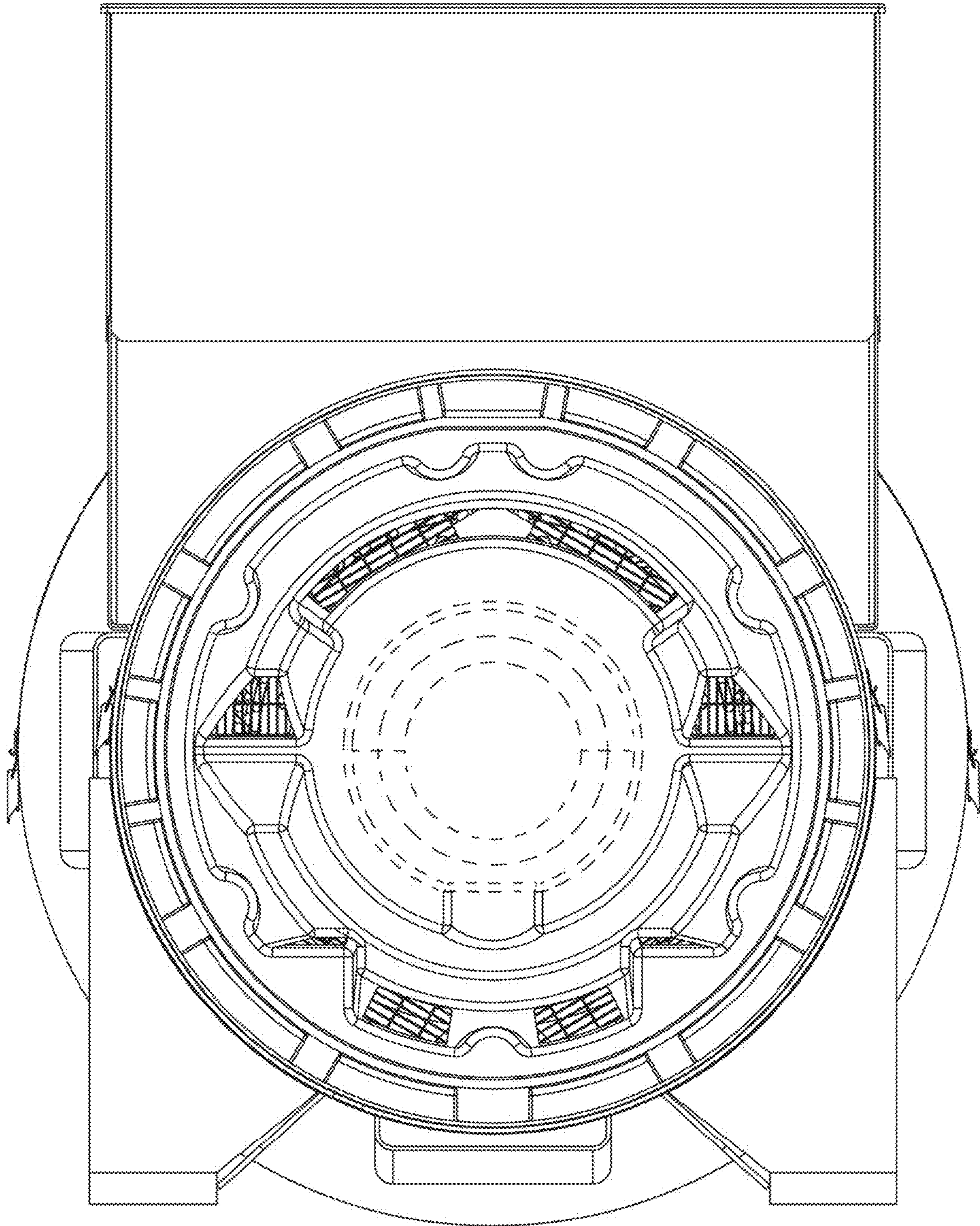
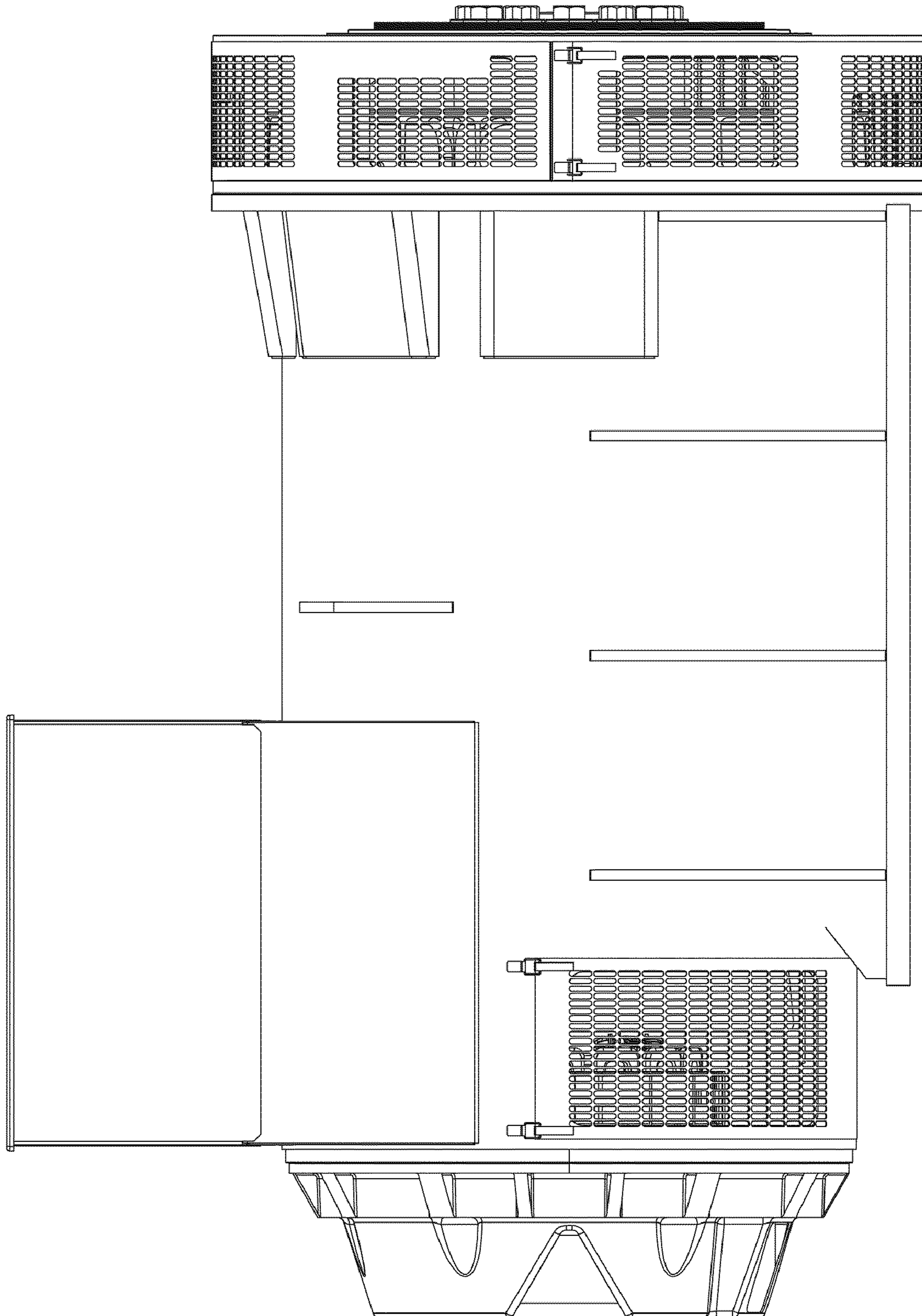
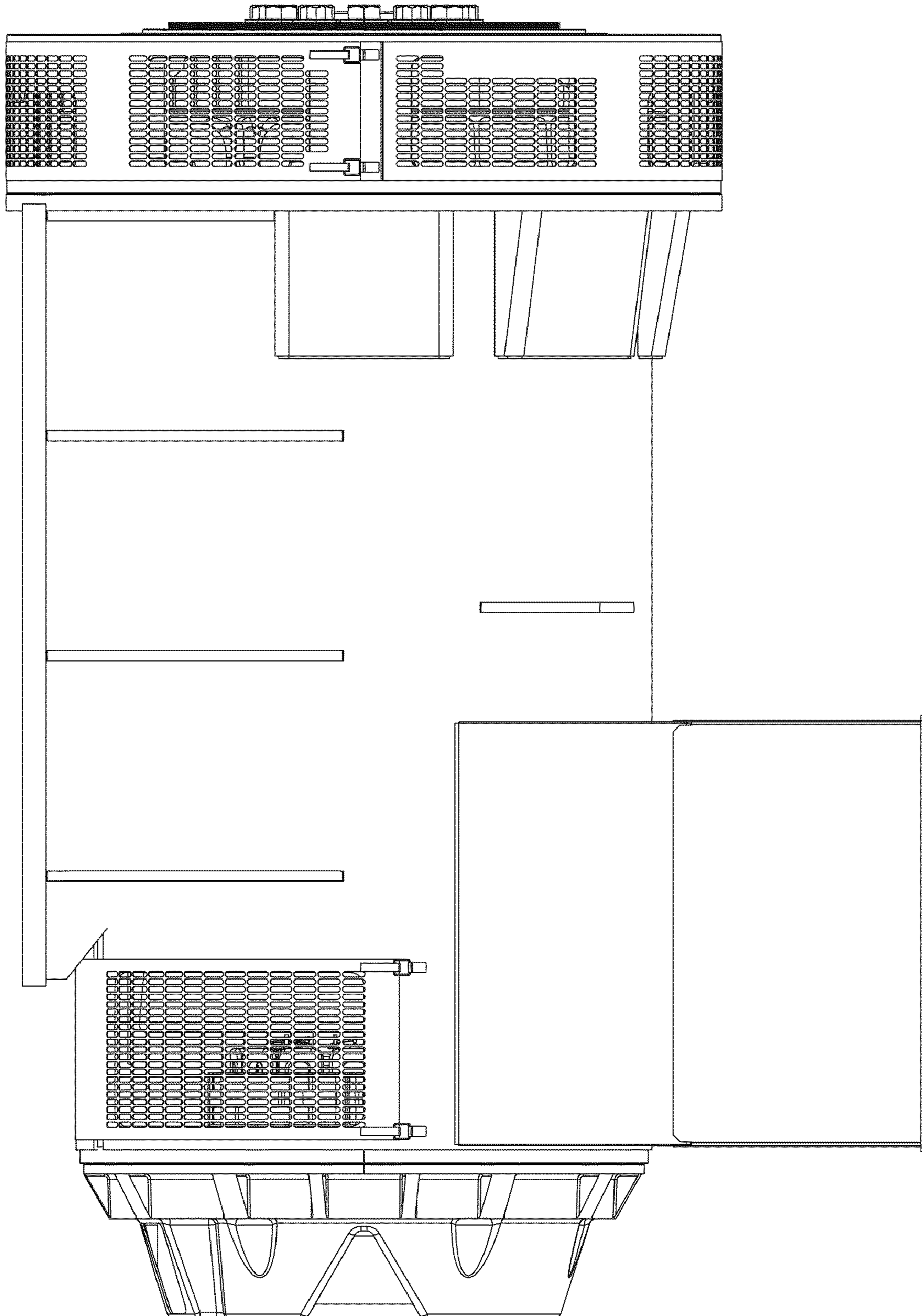


FIG. 4



# FIG. 5



**FIG. 6**

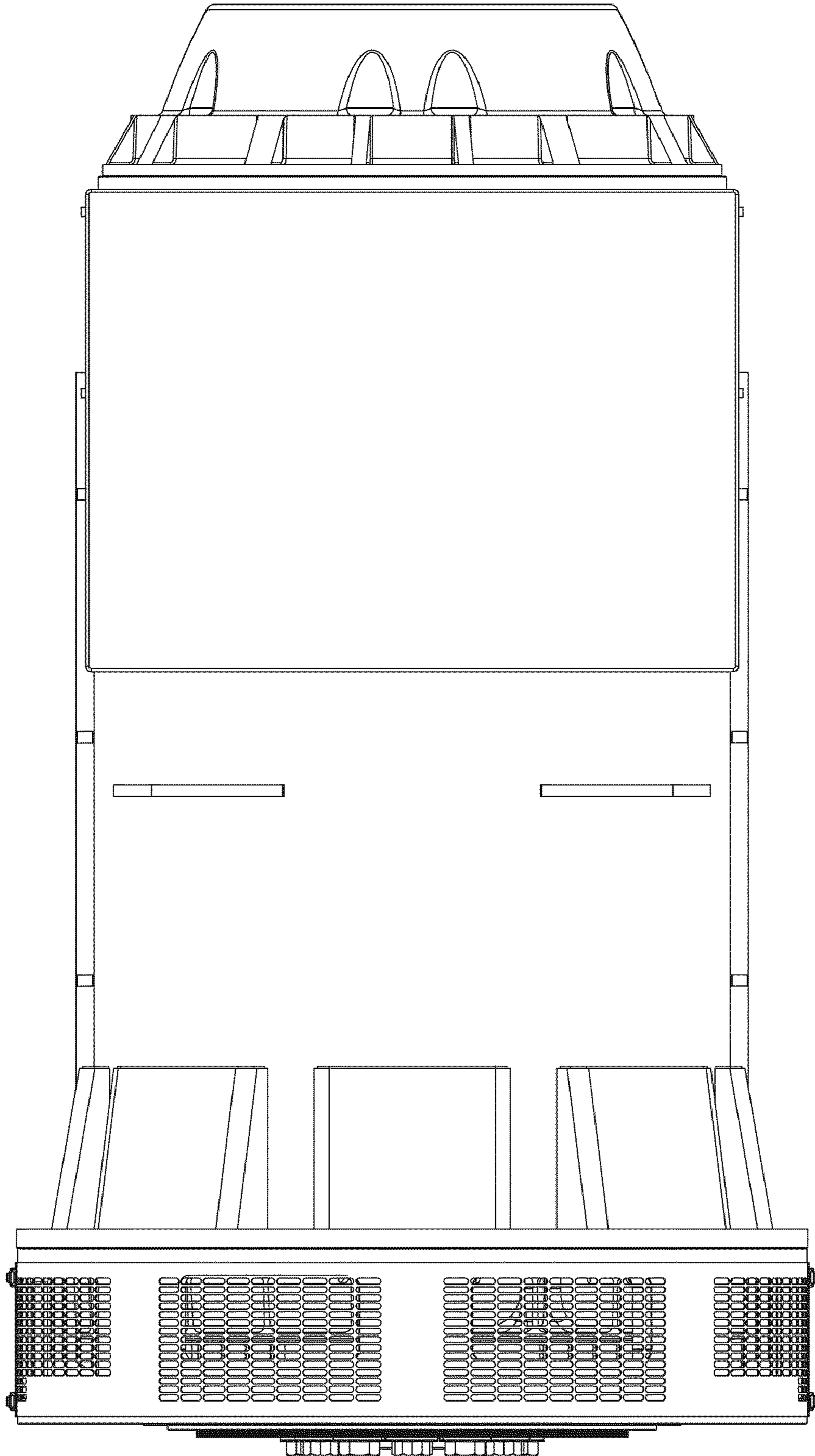


FIG. 7

