



US00D970444S

(12) **United States Design Patent** (10) **Patent No.:** **US D970,444 S**
Simon et al. (45) **Date of Patent:** **** Nov. 22, 2022**

(54) **ELECTRICAL GENERATOR**

(56) **References Cited**

(71) Applicant: **Cummins Generator Technologies Limited**, Peterborough (GB)

(72) Inventors: **Kevan John Simon**, Peterborough (GB); **Neil Brown**, Peterborough (GB); **Peethamparam Anpalahan**, Peterborough (GB); **Philip Bend**, Peterborough (GB); **Robert Mitchell Rolston**, Peterborough (GB)

(73) Assignee: **Cummins Generator Technologies Limited**, Peterborough (GB)

(**) Term: **15 Years**

(21) Appl. No.: **29/817,964**

(22) Filed: **Dec. 6, 2021**

U.S. PATENT DOCUMENTS

D207,401 S *	4/1967	Andrews et al.	D13/114
D295,621 S	5/1988	Lent et al.	
D314,742 S *	2/1991	Sieber	D13/114
D398,285 S *	9/1998	Becker	D13/114
D425,020 S *	5/2000	Becker	D13/114
D467,541 S *	12/2002	Hemphill	D13/114
D574,325 S	8/2008	Naghshineh	
D618,615 S	6/2010	Basic et al.	
7,965,005 B2 *	6/2011	Schmidt	H02K 9/14 310/71
D712,354 S	9/2014	Veeh et al.	
D772,814 S	11/2016	Rivault et al.	
D780,119 S	2/2017	Schieck	
D794,563 S	8/2017	Matta et al.	
D812,566 S *	3/2018	Kaneko	D13/112

* cited by examiner

Primary Examiner — Derrick E Holland
 (74) *Attorney, Agent, or Firm* — Foley & Lardner LLP

Related U.S. Application Data

(62) Division of application No. 29/699,414, filed on Jul. 25, 2019, now Pat. No. Des. 937,776.

(57) **CLAIM**

We claim the ornamental design for an electrical generator, as shown and described.

(30) **Foreign Application Priority Data**

Jan. 28, 2019	(EM)	006094272-0002
Jan. 28, 2019	(EM)	006094272-0006
Jan. 28, 2019	(EM)	006094272-0007

DESCRIPTION

(51) **LOC (13) Cl.** **13-01**

(52) **U.S. Cl.**
USPC **D13/112**

(58) **Field of Classification Search**
USPC D13/101, 112, 113, 114, 117, 118, 120, D13/122, 199; D15/1, 3, 5, 199
CPC . F02B 63/04; H02K 3/24; H02K 3/47; H02K 1/12; H02K 5/02; H02K 5/04; H02K 5/08; H02K 5/18; H02K 5/20; H02K 11/0094; H02K 9/06; H02K 9/14; H02K 15/00

FIG. 1 is a top, front, left isometric view of an electric generator showing the new design;
 FIG. 2 is a left side elevational view thereof;
 FIG. 3 is a right side elevational view thereof;
 FIG. 4 is a rear elevational view thereof;
 FIG. 5 is a front elevational view thereof;
 FIG. 6 is a top plan view thereof; and,
 FIG. 7 is a bottom plan view thereof.
 The ornamental design which is claimed is shown in solid lines in the drawings. Any broken lines in the figures illustrate portions of the electrical generator that form no part of the claimed design.

See application file for complete search history.

1 Claim, 7 Drawing Sheets

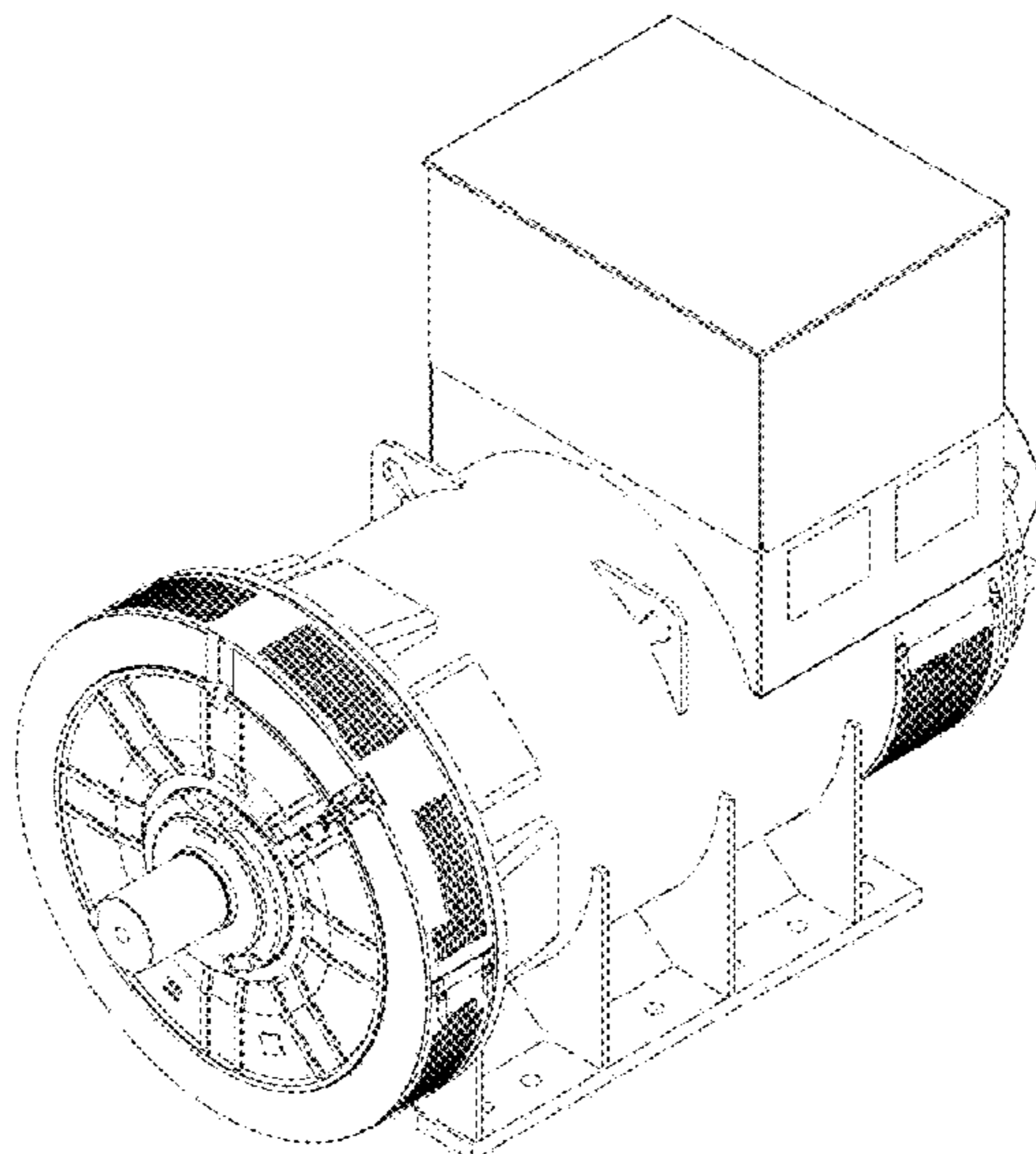


FIG. 1

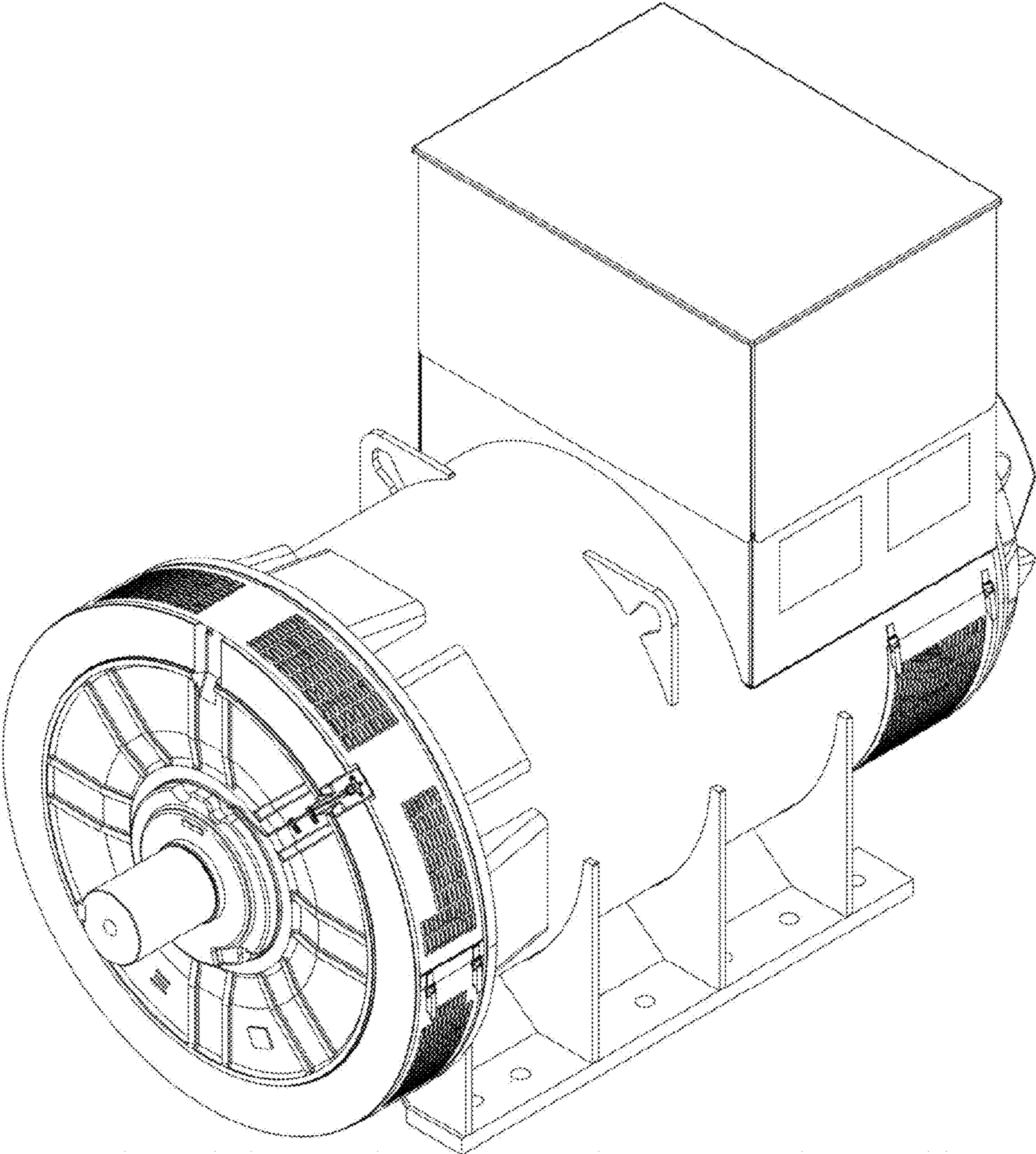


FIG. 2

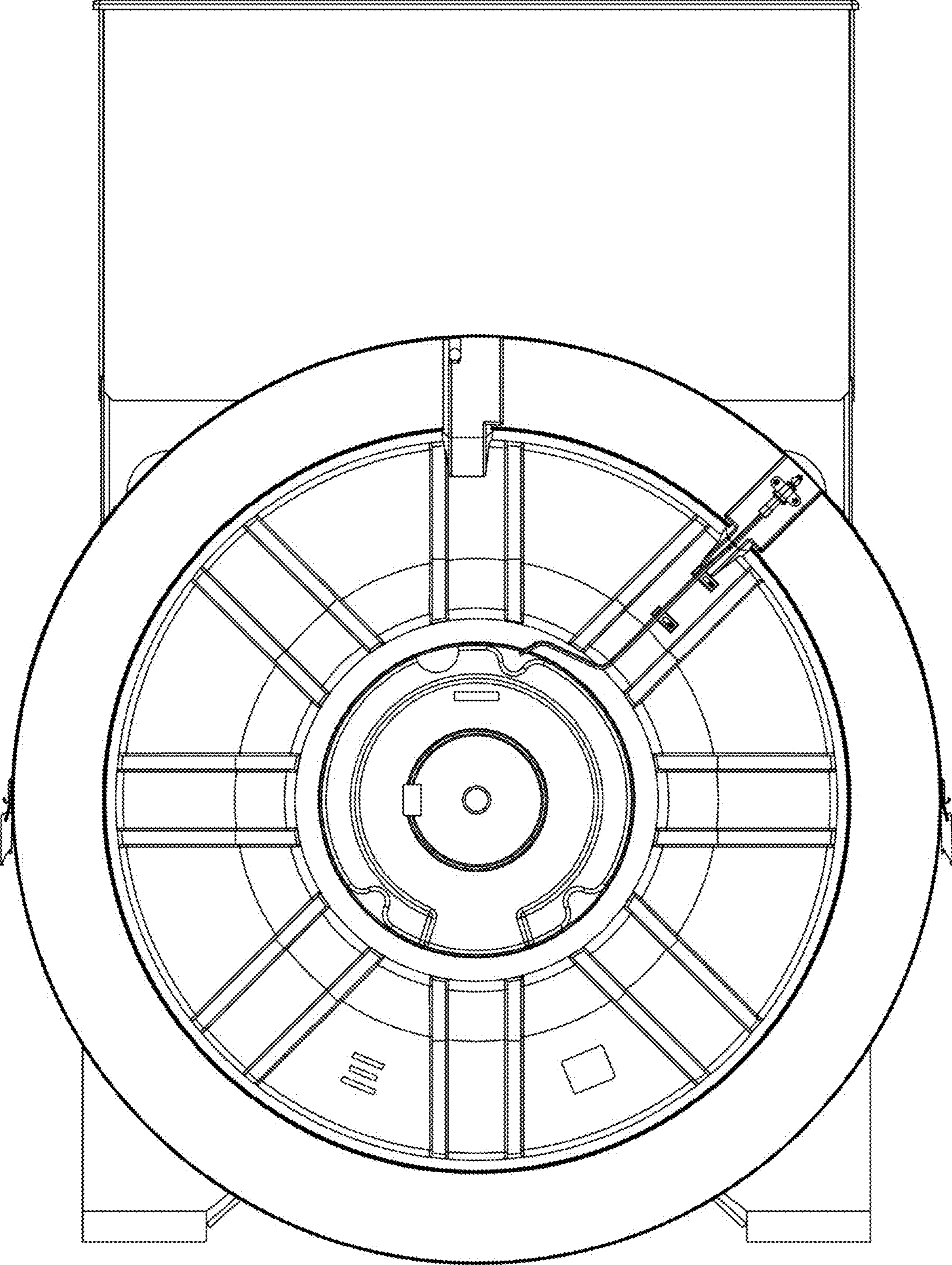


FIG. 3

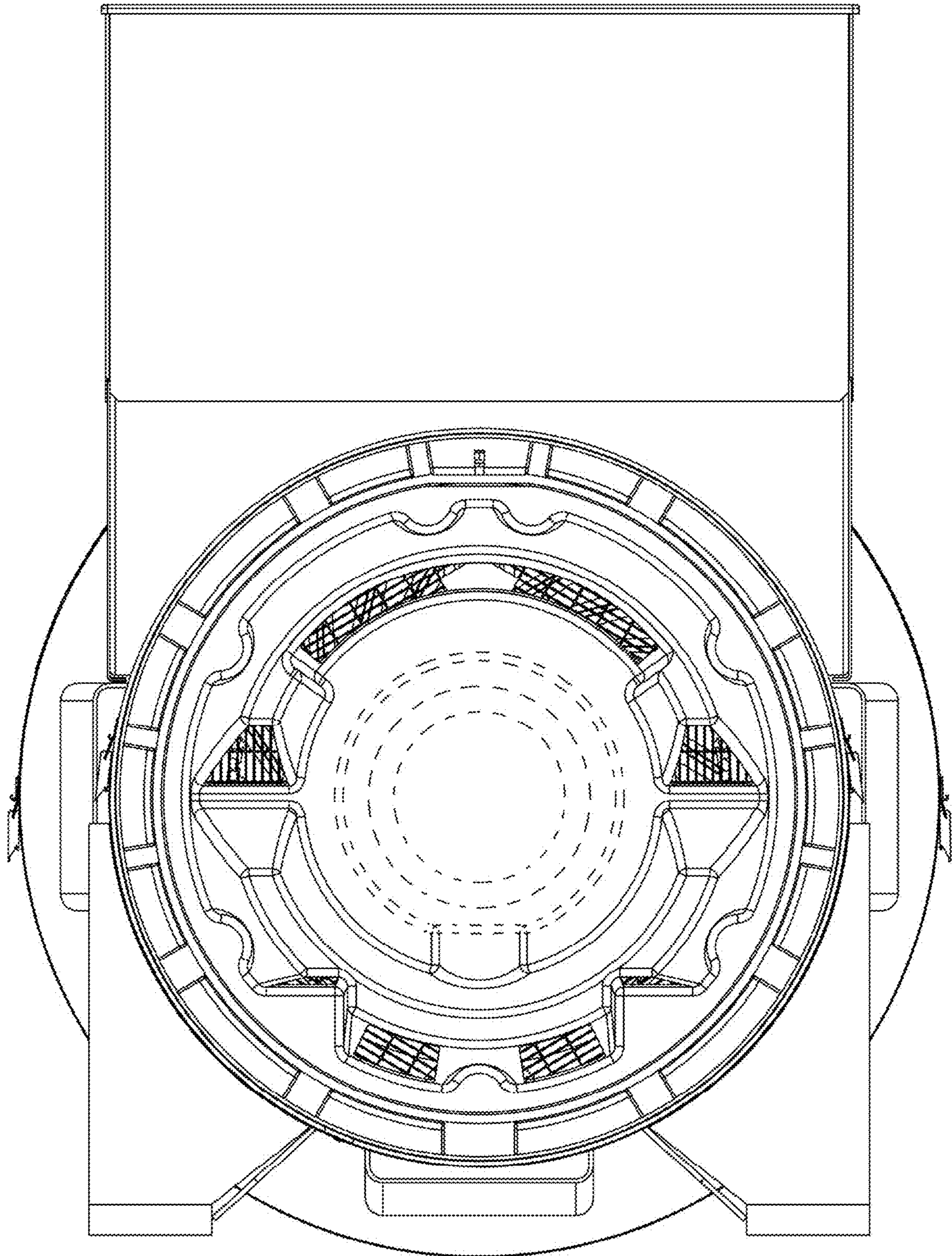


FIG. 4

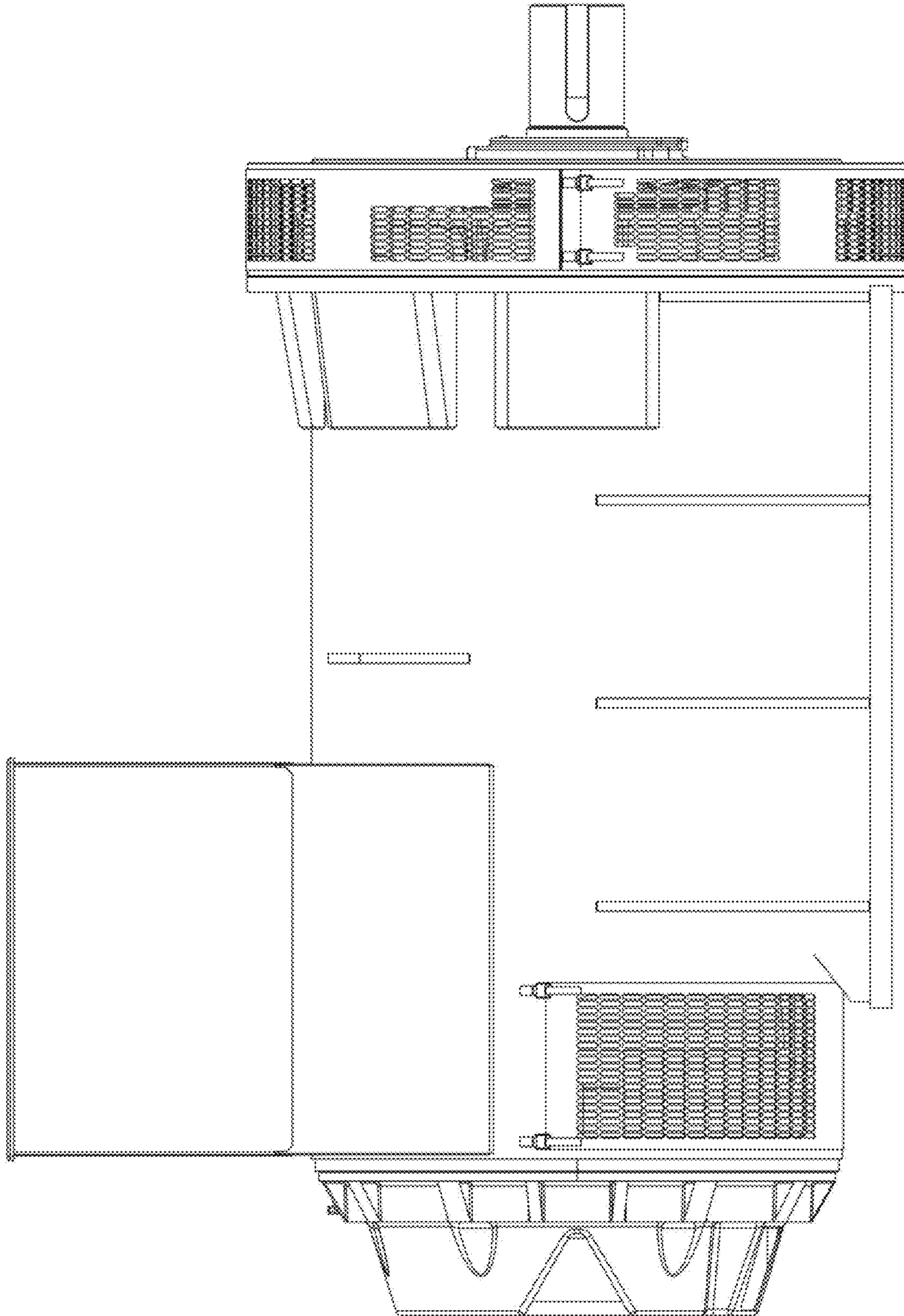


FIG. 5

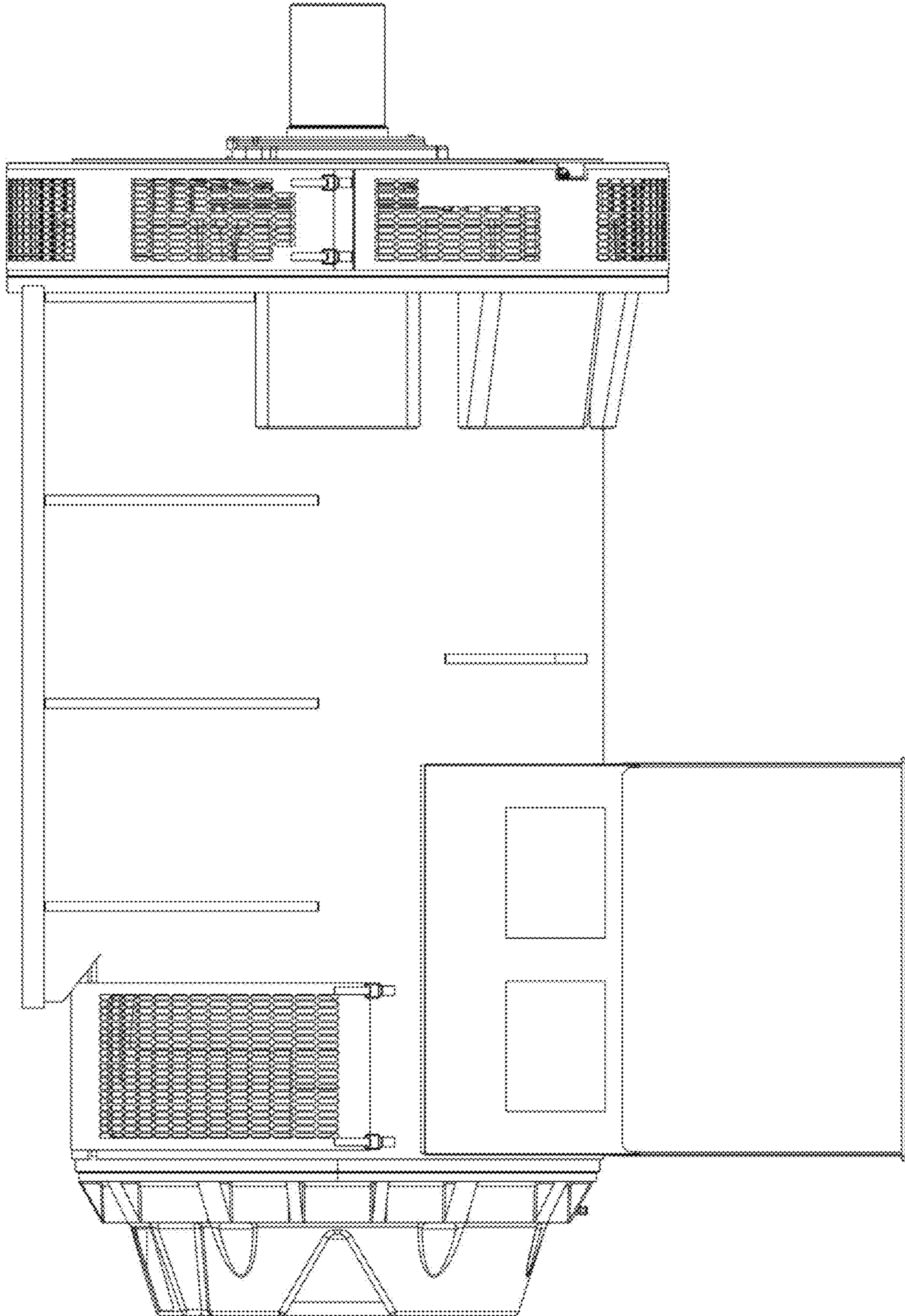


FIG. 6

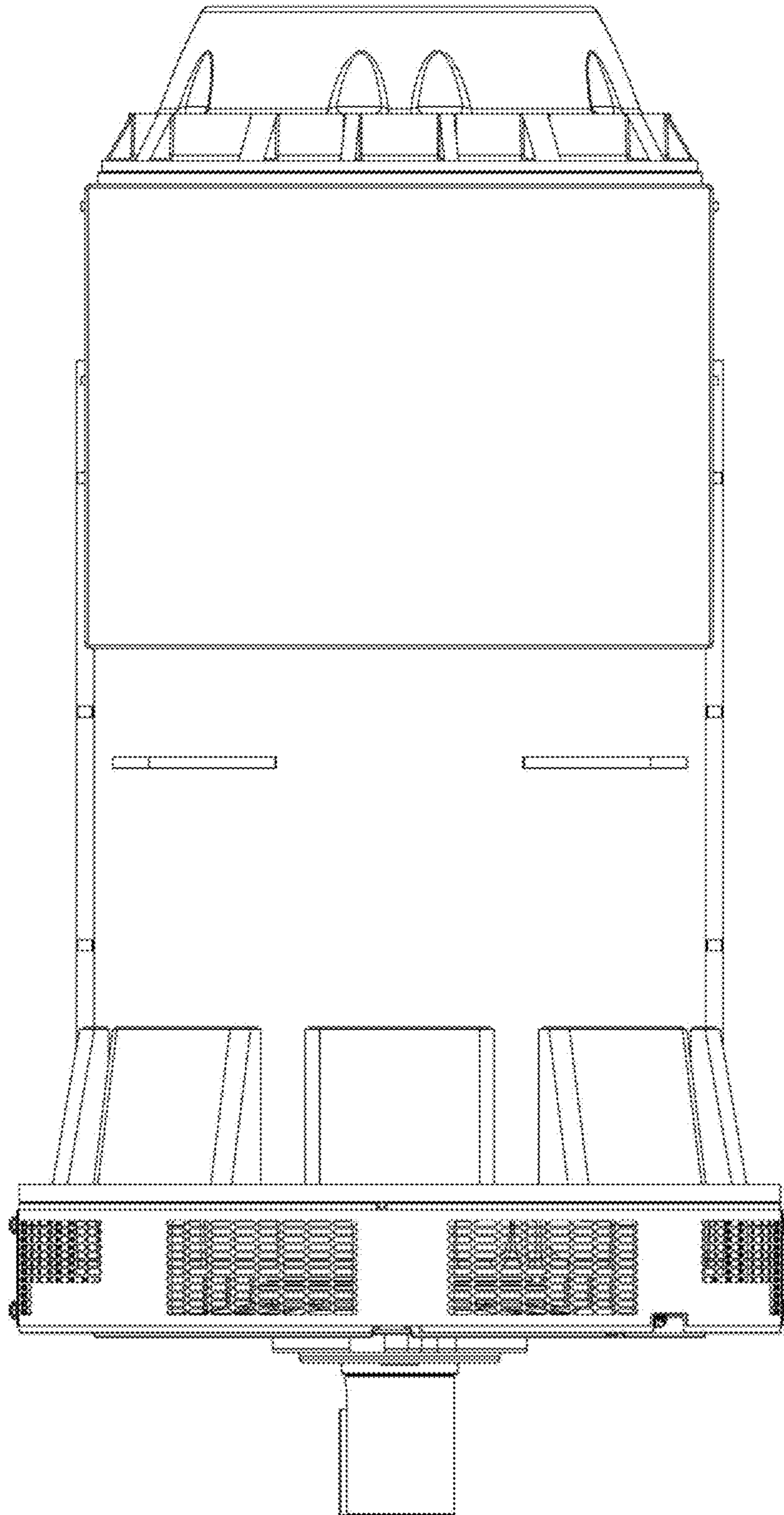


FIG. 7

