



US00D970441S

(12) **United States Design Patent**
Qiu

(10) **Patent No.:** **US D970,441 S**

(45) **Date of Patent:** **** Nov. 22, 2022**

(54) **WIRELESS CHARGER**

(71) Applicant: **Weihe Qiu**, Guangdong (CN)

(72) Inventor: **Weihe Qiu**, Guangdong (CN)

(**) Term: **15 Years**

(21) Appl. No.: **29/842,046**

(22) Filed: **Jun. 9, 2022**

(51) **LOC (13) Cl.** **13-02**

(52) **U.S. Cl.**
USPC **D13/108**

(58) **Field of Classification Search**

USPC D13/101, 103, 107, 108, 109, 110, 118,
D13/119, 120, 121, 184, 199; D14/251,
D14/253, 432, 433, 434, 447
CPC .. H02J 7/02; H02J 7/025; H02J 7/0026; H02J
7/0042; H02J 7/0044; H02J 7/0045; H02J
7/0047; H02J 50/10; H02J 50/12; H02J
50/90; H01M 10/44; H01M 10/46; H01M
10/425

See application file for complete search history.

(56) **References Cited**

U.S. PATENT DOCUMENTS

D535,615 S * 1/2007 Iwai D13/108
D669,430 S * 10/2012 Budike D13/108

D674,336 S * 1/2013 Suzuka D13/108
D705,722 S * 5/2014 Gengler D13/107
D743,966 S * 11/2015 Izen D14/434
D937,209 S * 11/2021 Luo D13/108
D951,864 S 5/2022 Chen
D953,976 S 6/2022 Su

* cited by examiner

Primary Examiner — Derrick E Holland

(74) *Attorney, Agent, or Firm* — True Shepherd, LLC;
Andrew Cheng

(57) **CLAIM**

The ornamental design for a wireless charger, as shown and described.

DESCRIPTION

FIG. 1 is a front, right and bottom perspective view of a wireless charger, showing my design.

FIG. 2 is a front, left and top perspective view thereof.

FIG. 3 is a front elevation view thereof.

FIG. 4 is a rear elevation view thereof.

FIG. 5 is a left side elevation view thereof.

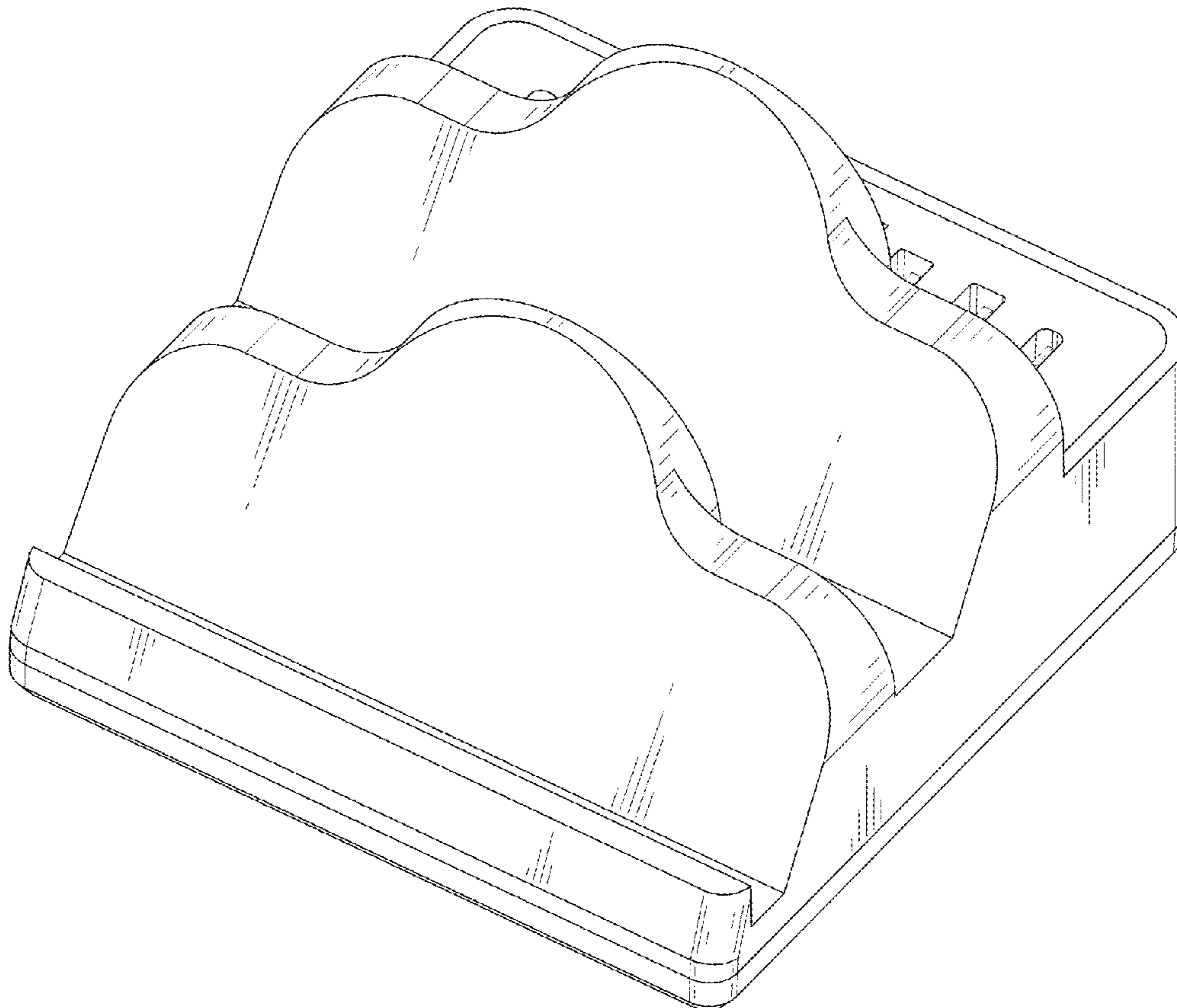
FIG. 6 is a right side elevation view thereof.

FIG. 7 is a top plan view thereof; and,

FIG. 8 is a bottom plan view thereof.

The broken lines shown in the drawings are included for the purpose of illustrating portions of the wireless charger that form no part of the claimed design.

1 Claim, 8 Drawing Sheets



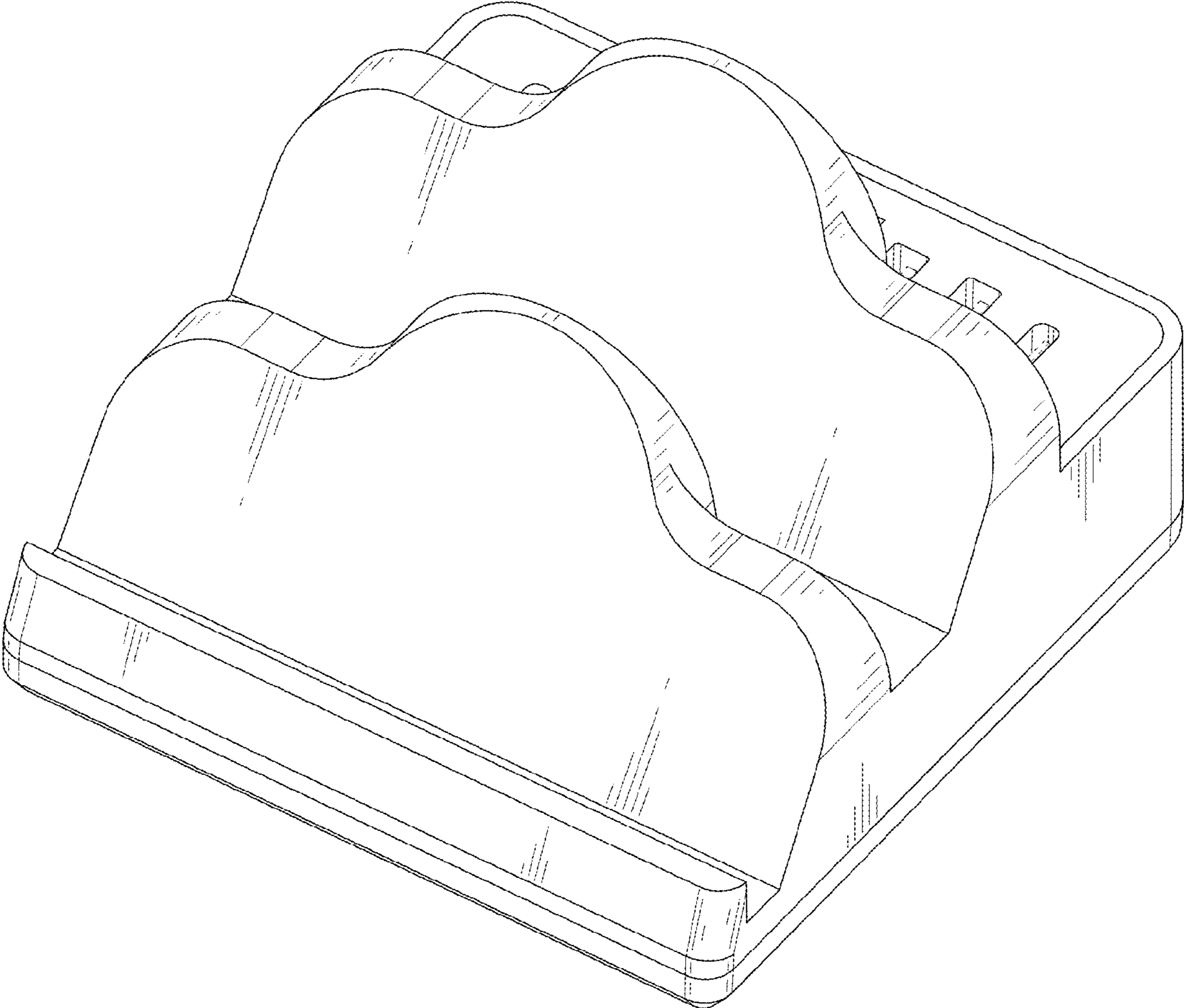


FIG. 1

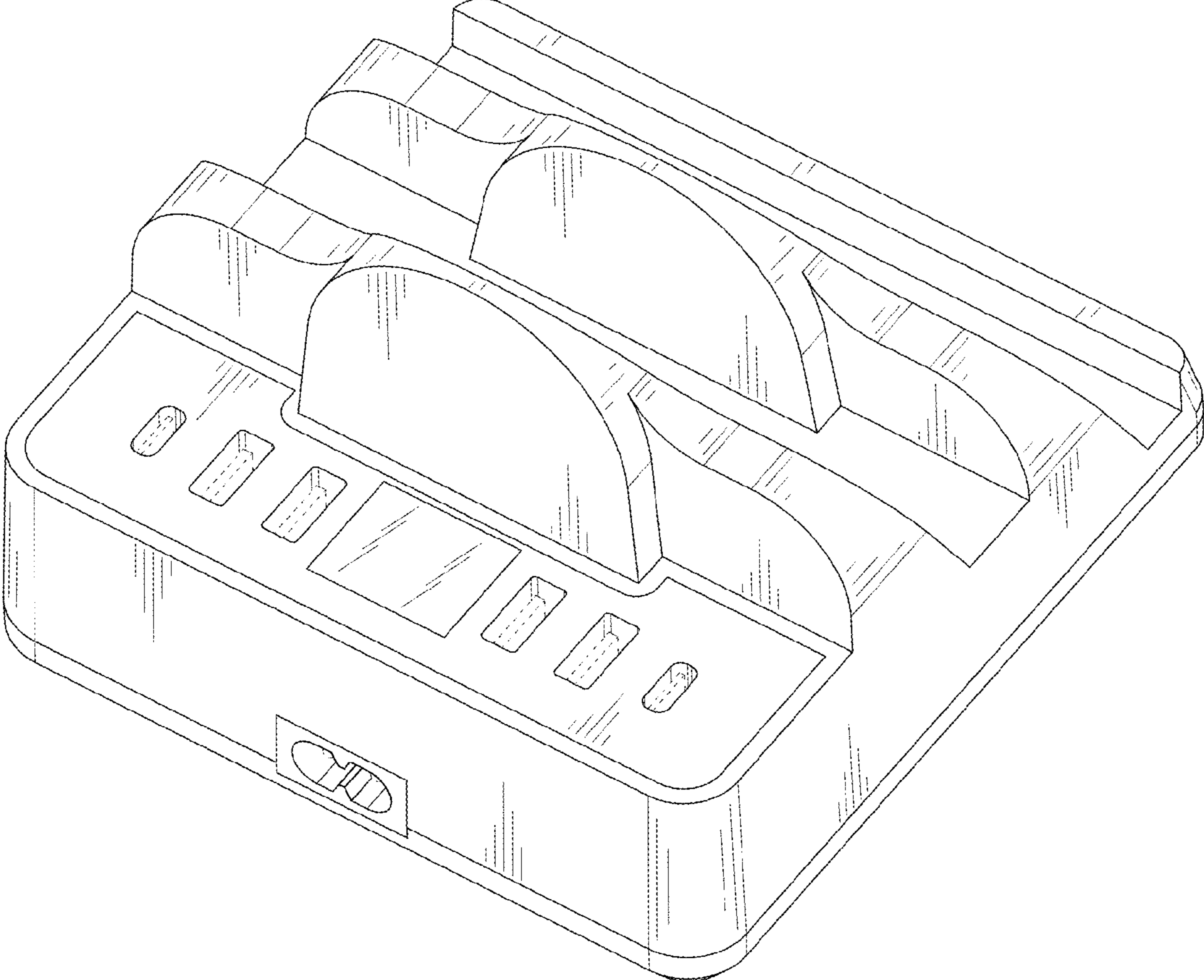


FIG.2

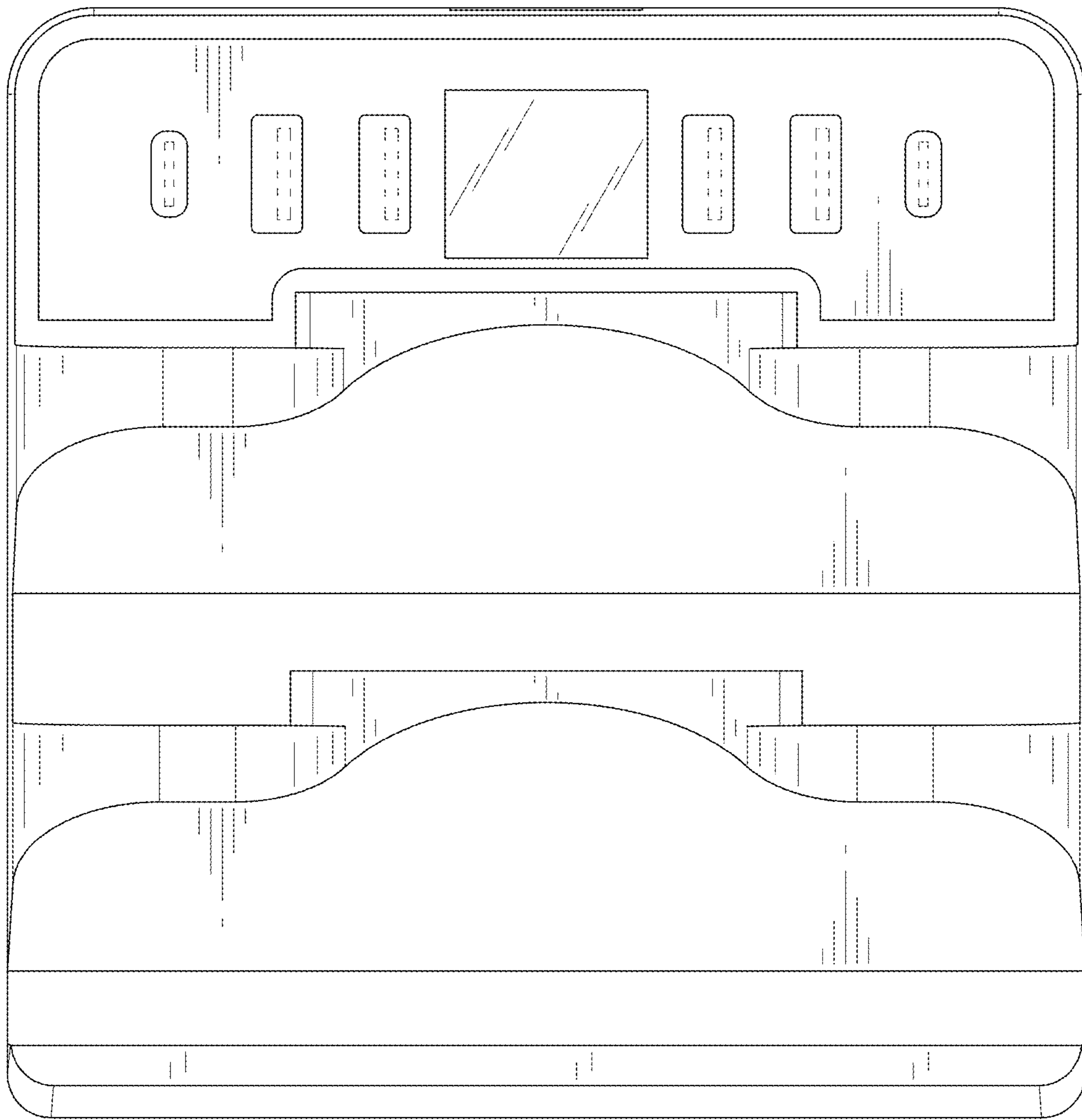


FIG. 3

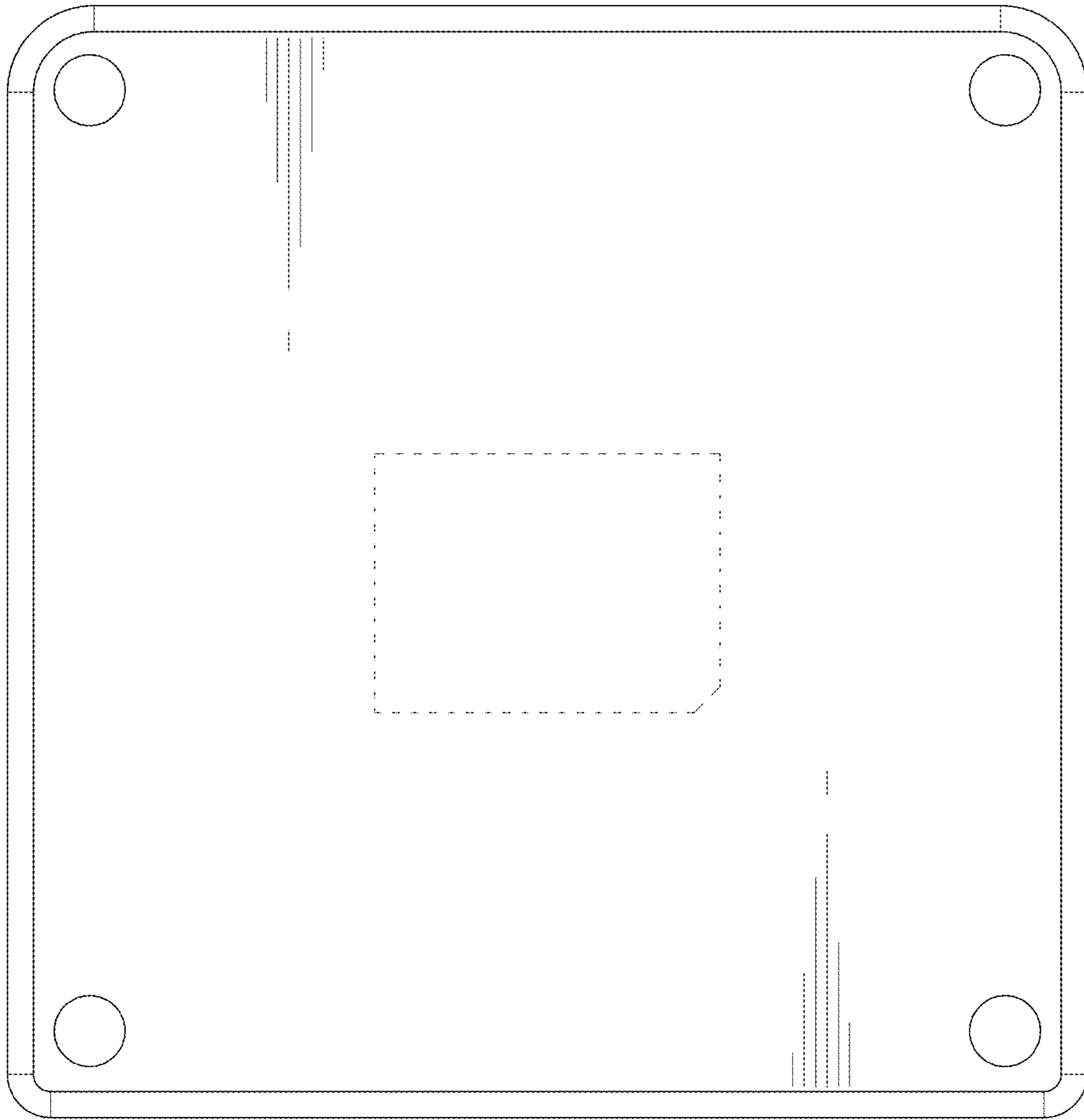


FIG. 4

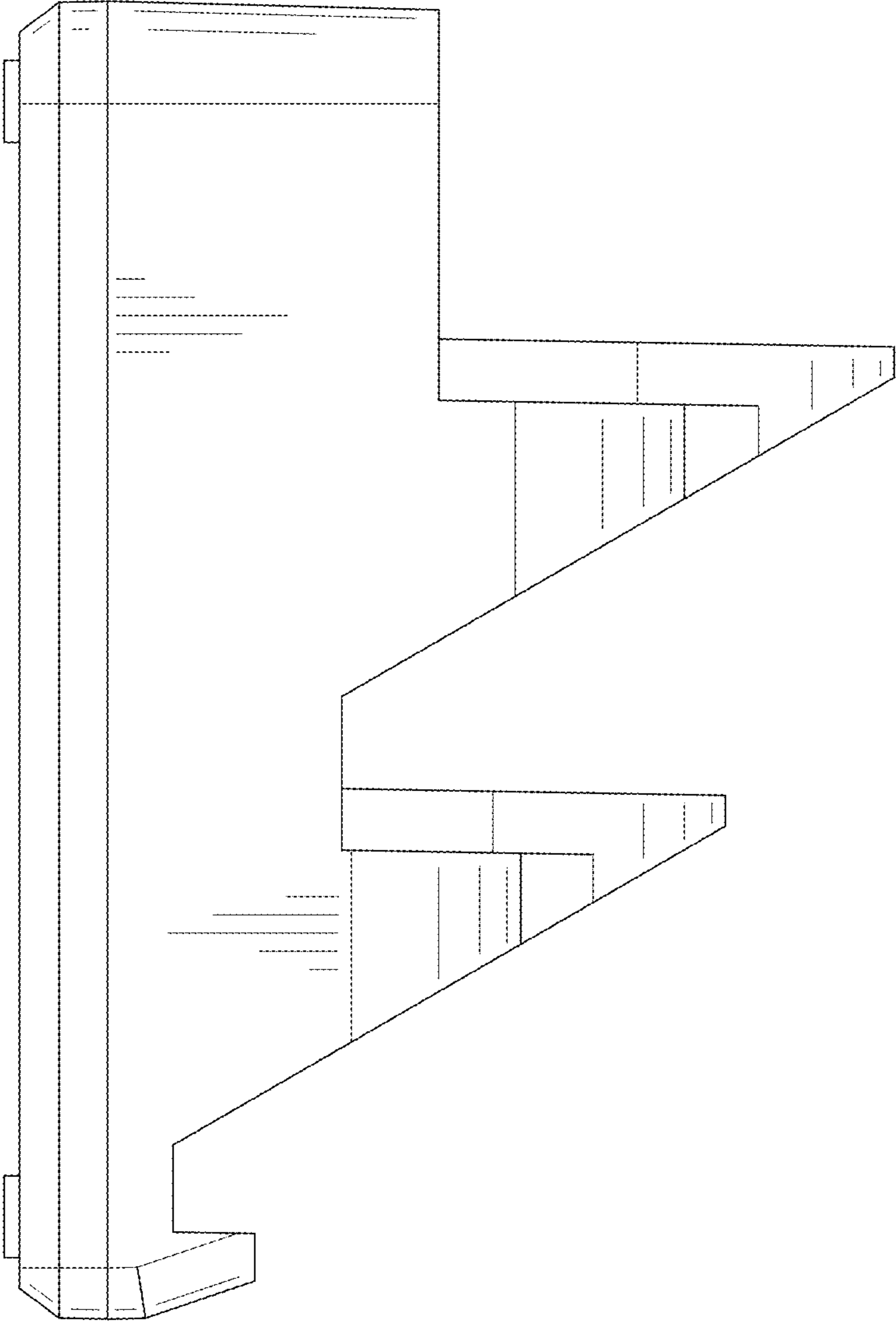


FIG. 5

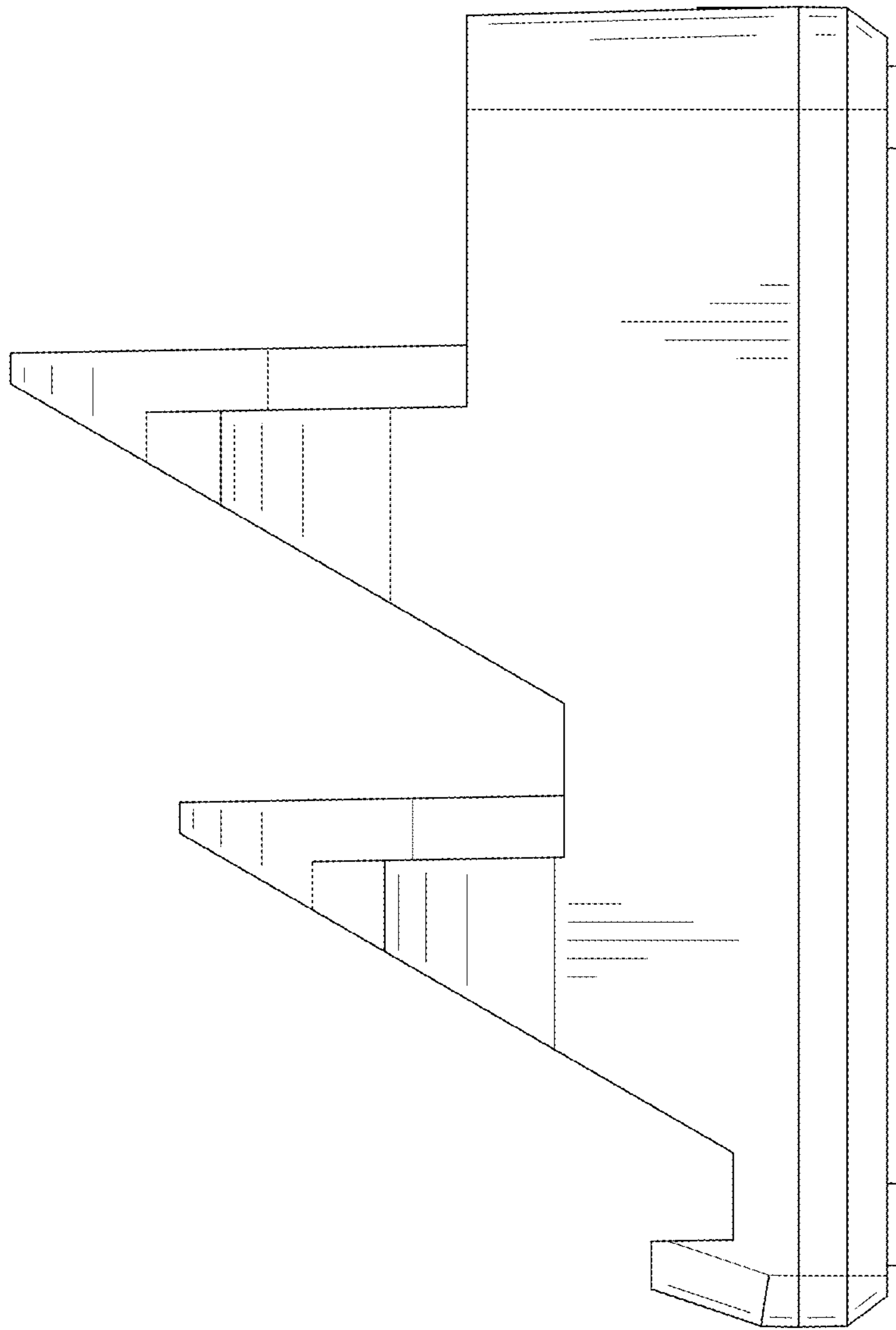


FIG. 6

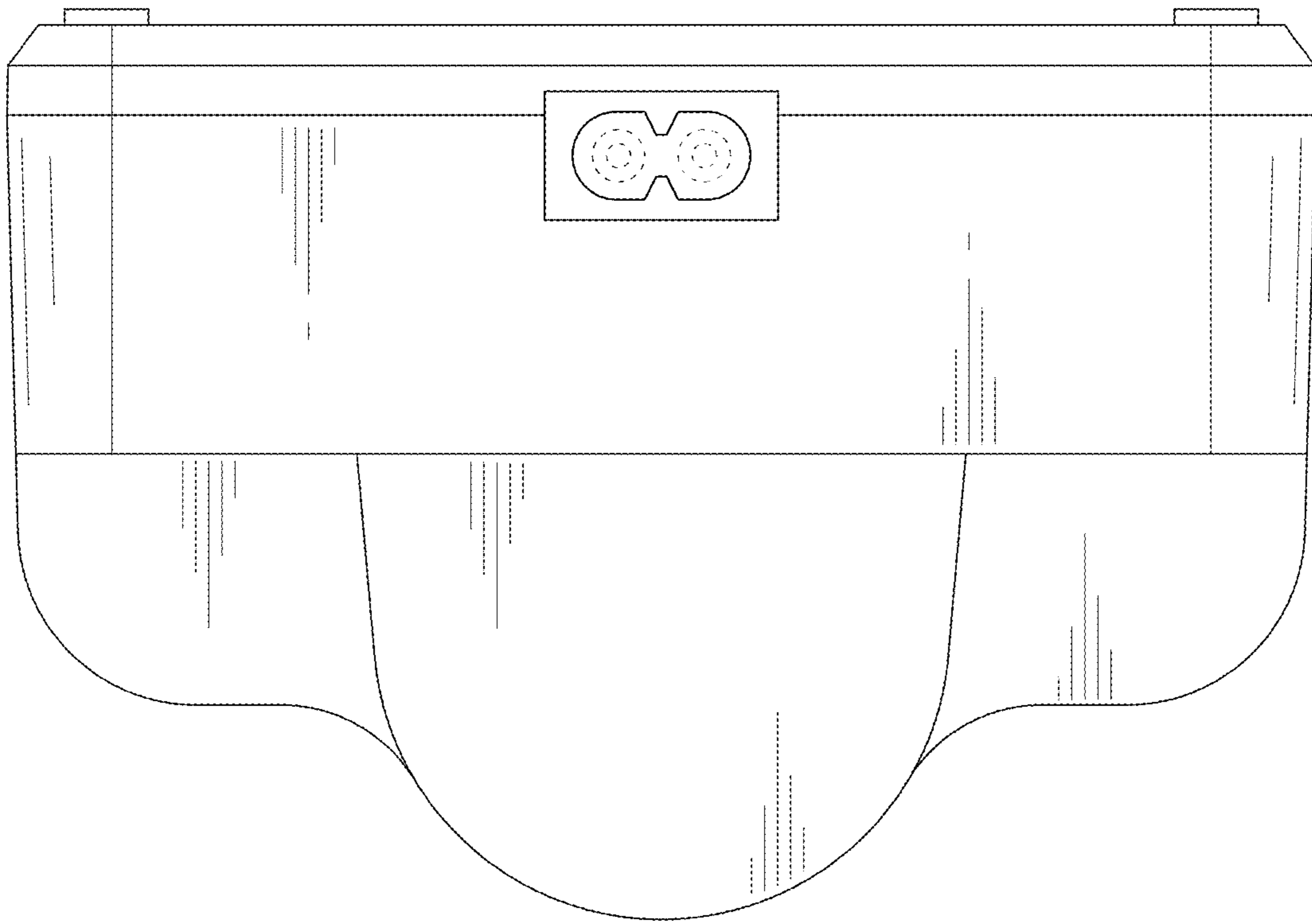


FIG. 7

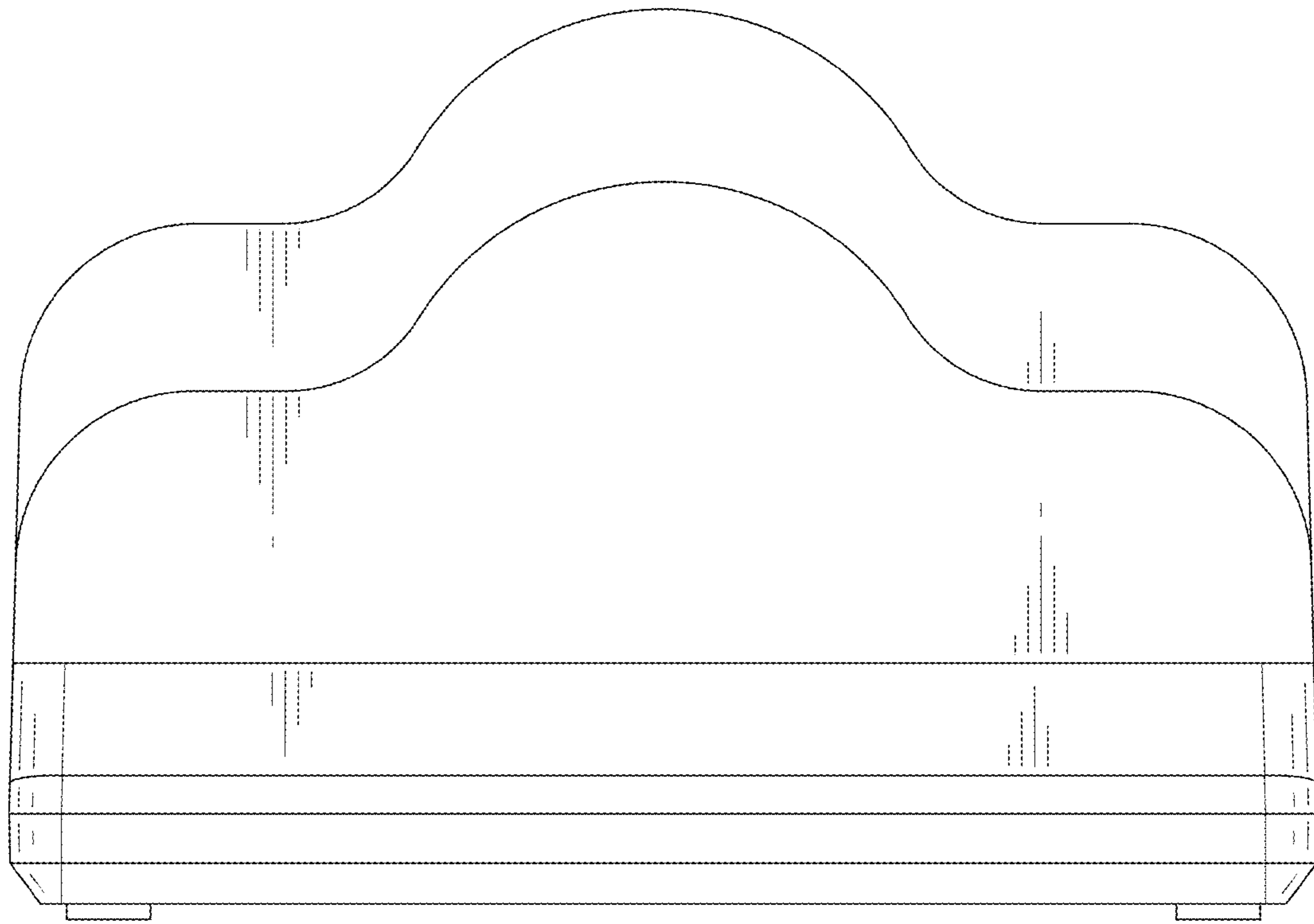


FIG. 8