



US00D970437S

(12) **United States Design Patent** (10) **Patent No.:** **US D970,437 S**
Lu (45) **Date of Patent:** **** Nov. 22, 2022**

(54) **CHARGING BASE**

(71) Applicant: **EnFeng Lu**, Honghu (CN)

(72) Inventor: **EnFeng Lu**, Honghu (CN)

(**) Term: **15 Years**

(21) Appl. No.: **29/865,468**

(22) Filed: **Jul. 27, 2022**

(51) **LOC (13) Cl.** **13-02**

(52) **U.S. Cl.**
USPC **D13/107**

(58) **Field of Classification Search**
USPC D13/107–108, 110, 118–119, 184, 199;
D14/251, 253, 432–434, 447
CPC H02J 7/025; H02J 7/005; H02J 7/02; H02J
7/0026; H02J 7/0042; H02J 7/0044; H02J
7/0045; H02J 7/13; H02J 7/0003
See application file for complete search history.

(56) **References Cited**

U.S. PATENT DOCUMENTS

D277,662 S *	2/1985	Huntington	D13/107
D342,718 S	12/1993	Mackay		
D349,097 S *	7/1994	Watanabe	D13/108
D369,344 S *	4/1996	Lindeman	D13/108
D395,280 S *	6/1998	Phelps	D13/108
D466,476 S	12/2002	Stratford		
D474,737 S *	5/2003	Yoshida	D13/108
D516,023 S *	2/2006	Quinn	D13/108
D532,744 S	11/2006	Aglassinger		
D533,499 S *	12/2006	Suzuki	D13/108
D562,762 S *	2/2008	Saddlemire	D13/108
D723,459 S	3/2015	Dang		
D808,901 S	1/2018	Kelly		
D858,438 S	9/2019	Levy		
D876,442 S *	2/2020	McCracken	G06F 1/1632 D14/434
D878,085 S *	3/2020	Werner	D6/526

D890,088 S	7/2020	Machida		
D896,175 S	9/2020	Staff		
D897,282 S	9/2020	Ye		
D908,963 S *	1/2021	Lambrecht	B26B 21/10 D28/52
D932,623 S	10/2021	Wang		
D937,001 S *	11/2021	Werner	D6/526
D948,124 S *	4/2022	Luo	D28/53

OTHER PUBLICATIONS

<https://www.amazon.com/Sinjimoru-Charging-Convenient-Silicone-Docking/dp/B07GQV2NXN>; from Amazon.com, printed on Jul. 25, 2022.

<https://www.amazon.com/Sinjimoru-Including-iPhone-Convenient-Silicone/dp/B07GQS5MNH>; from Amazon.com, printed on Jul 25, 2022.

<https://www.amazon.com/seenda-Wireless-Charging-Station-Multiple/dp/B08CXZQ1N1>; from Amazon.com, printed on Jul. 25, 2022.

* cited by examiner

Primary Examiner — Rosemary K Tarcza
(74) *Attorney, Agent, or Firm* — Vladimir Postnikov

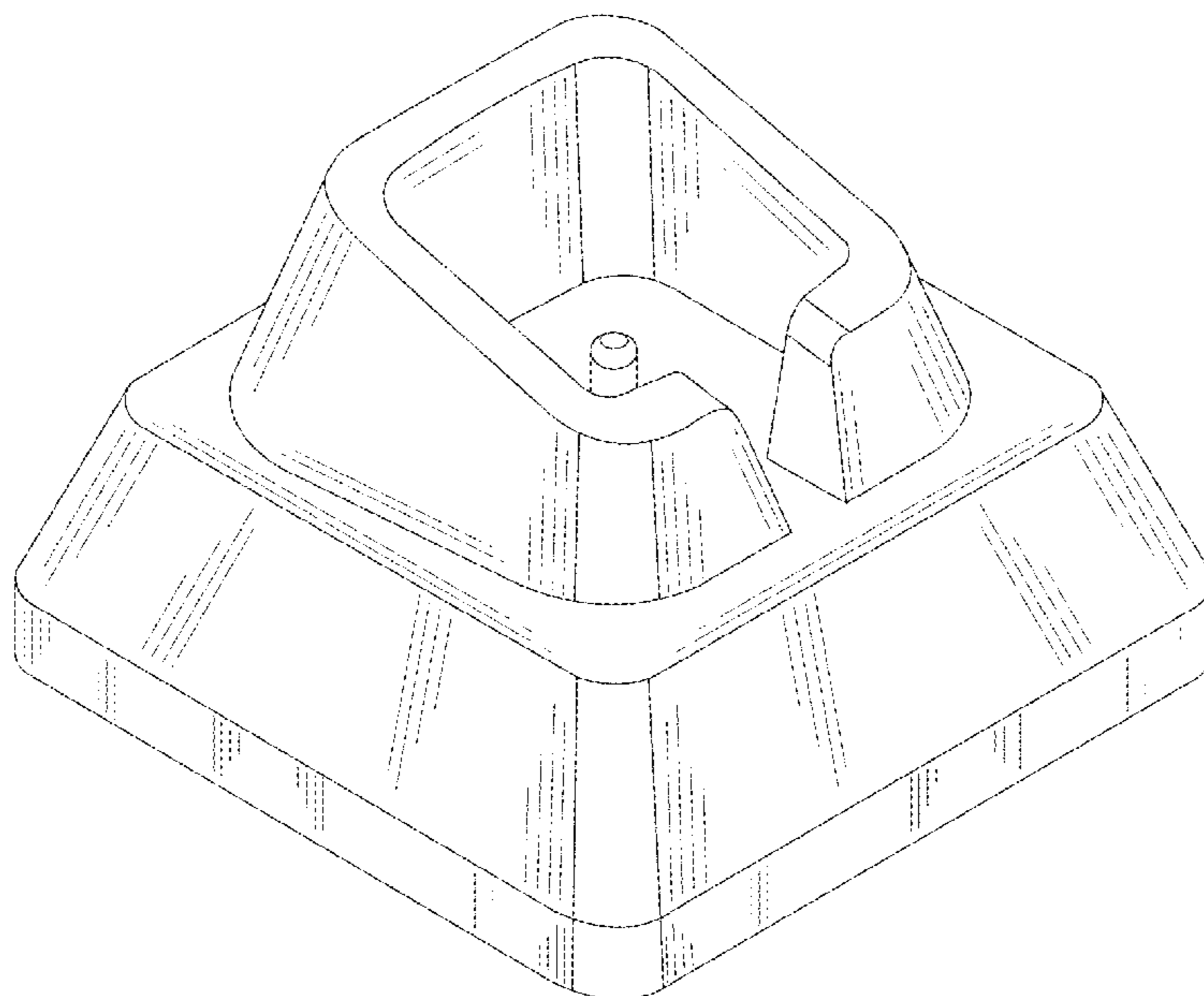
(57) **CLAIM**

The ornamental design for a charging base, as shown and described.

DESCRIPTION

FIG. 1 is a front elevation view of a charging base showing the new design;
 FIG. 2 is a back elevation view thereof;
 FIG. 3 is a left-side view thereof;
 FIG. 4 is a right-side view thereof;
 FIG. 5 is a top plan view thereof;
 FIG. 6 is a bottom plan view thereof;
 FIG. 7 is a top-left perspective view thereof; and,
 FIG. 8 is a back, left-side and top perspective view thereof.

1 Claim, 8 Drawing Sheets



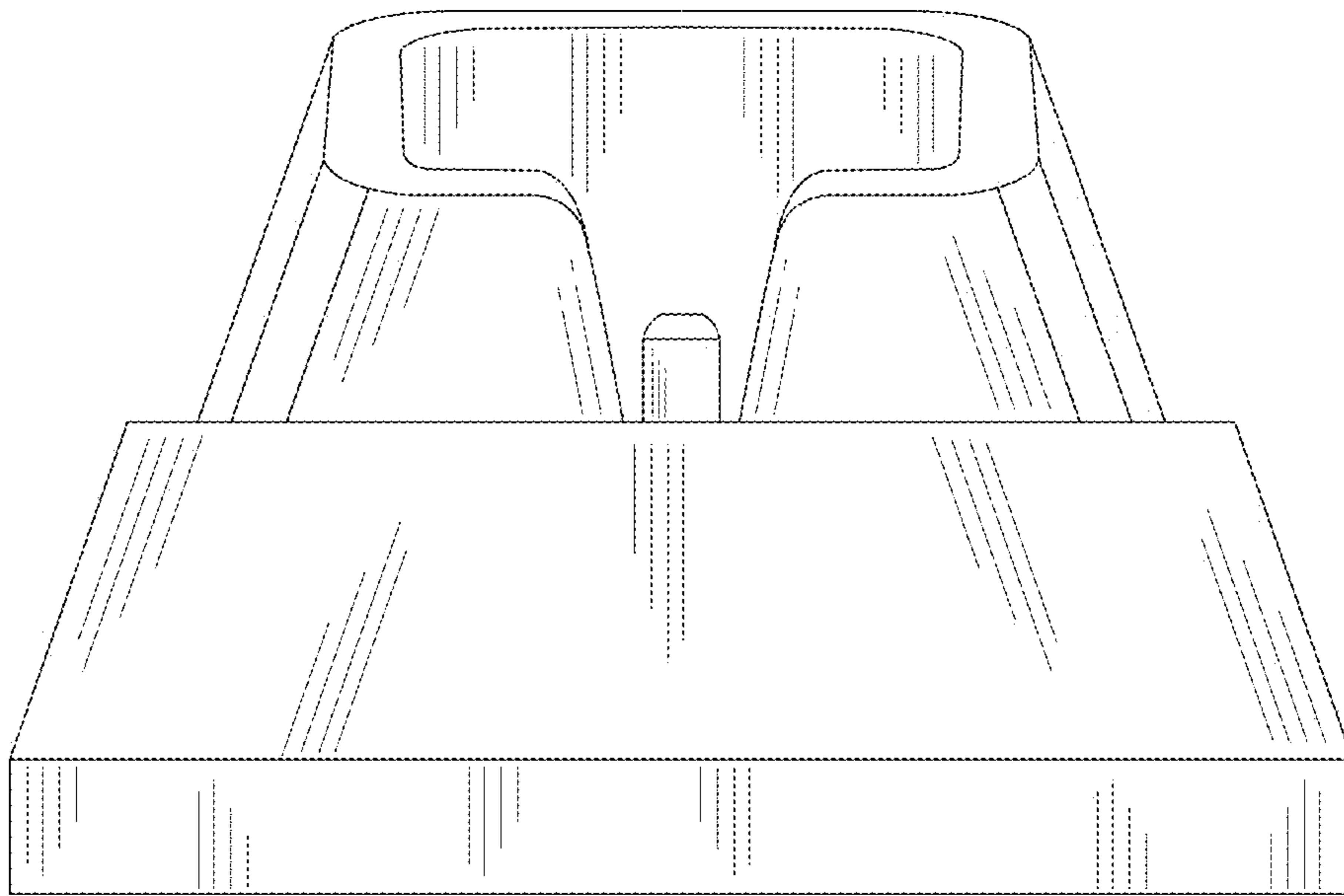


FIG. 1

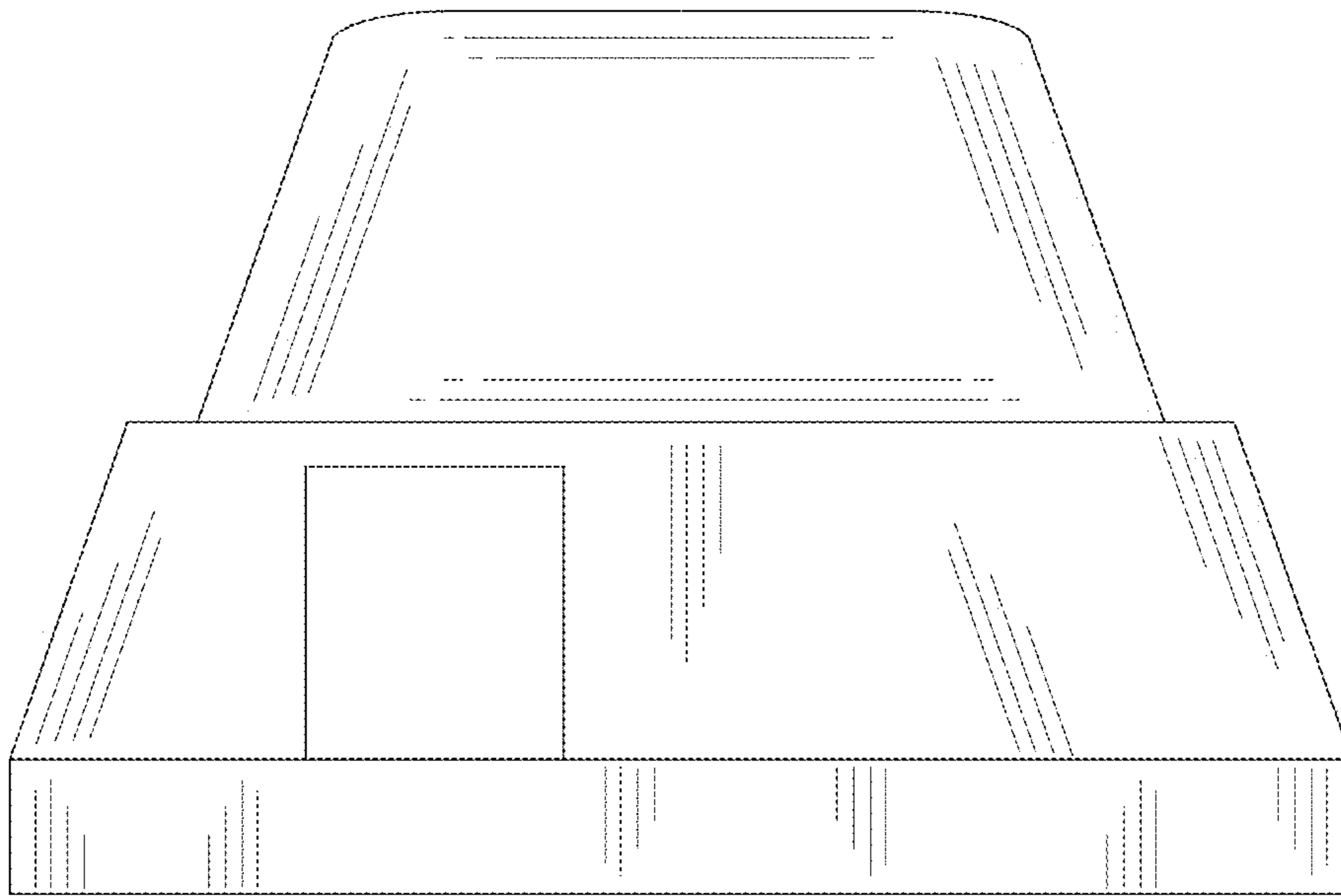


FIG. 2

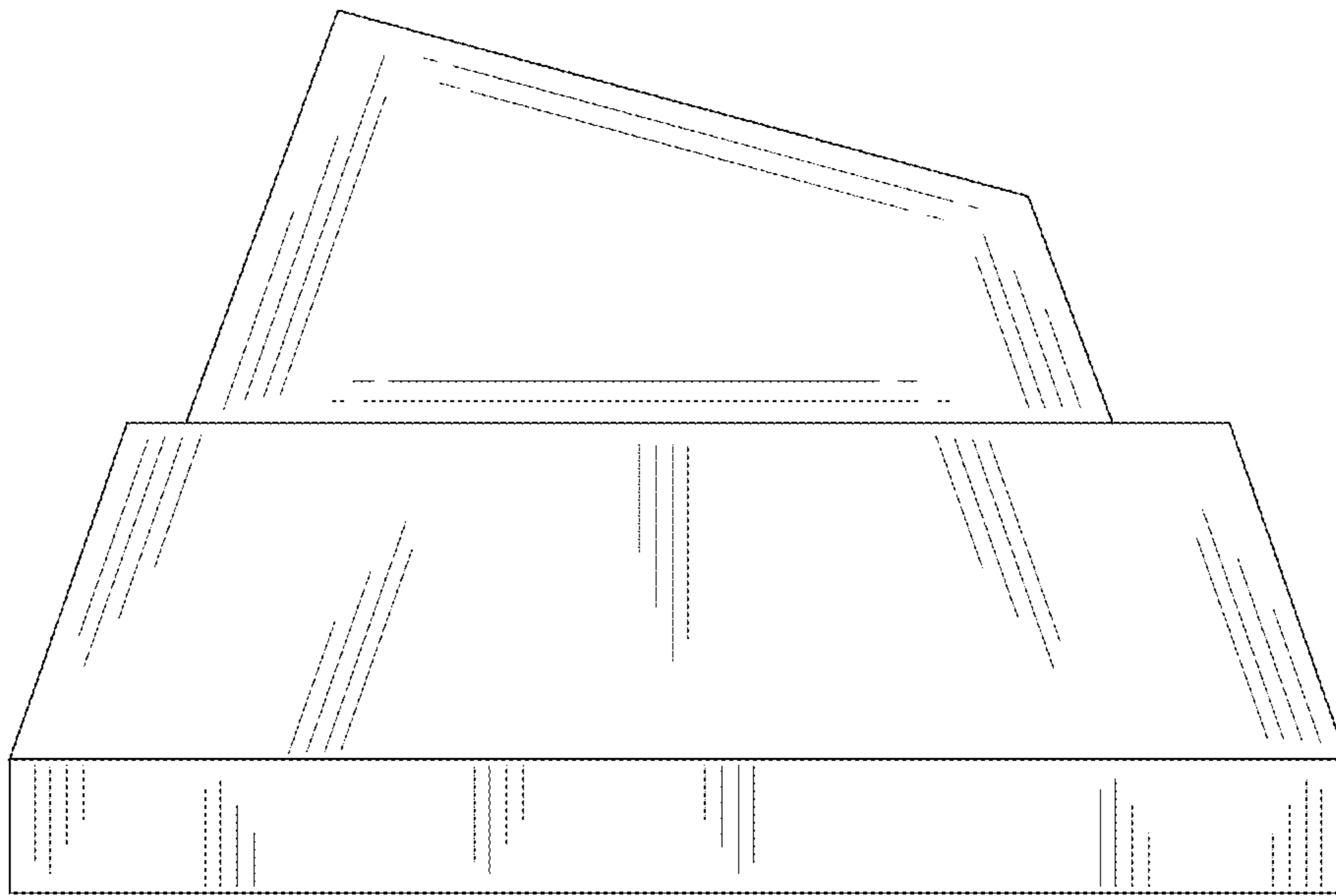


FIG. 3

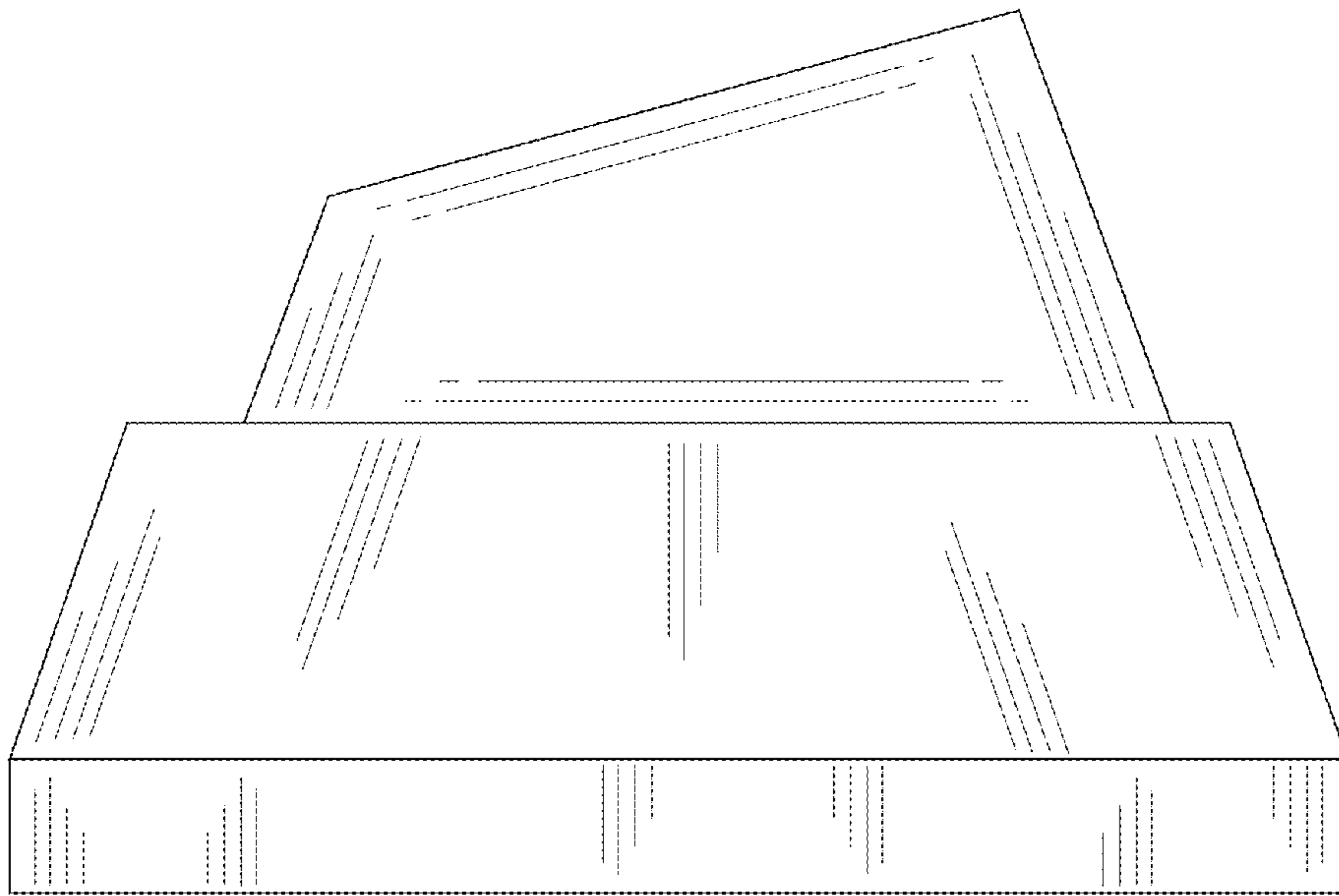


FIG. 4

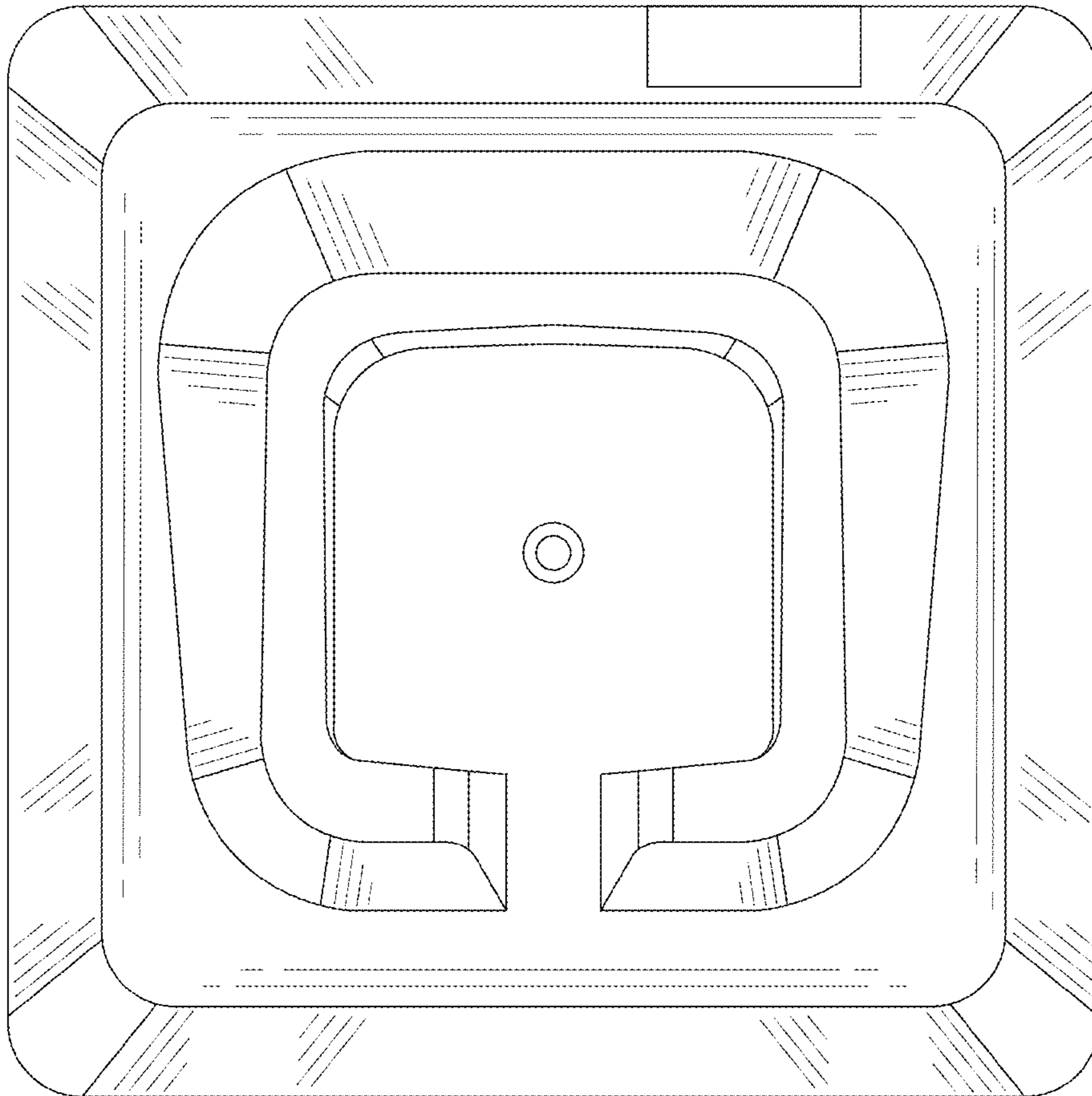


FIG. 5

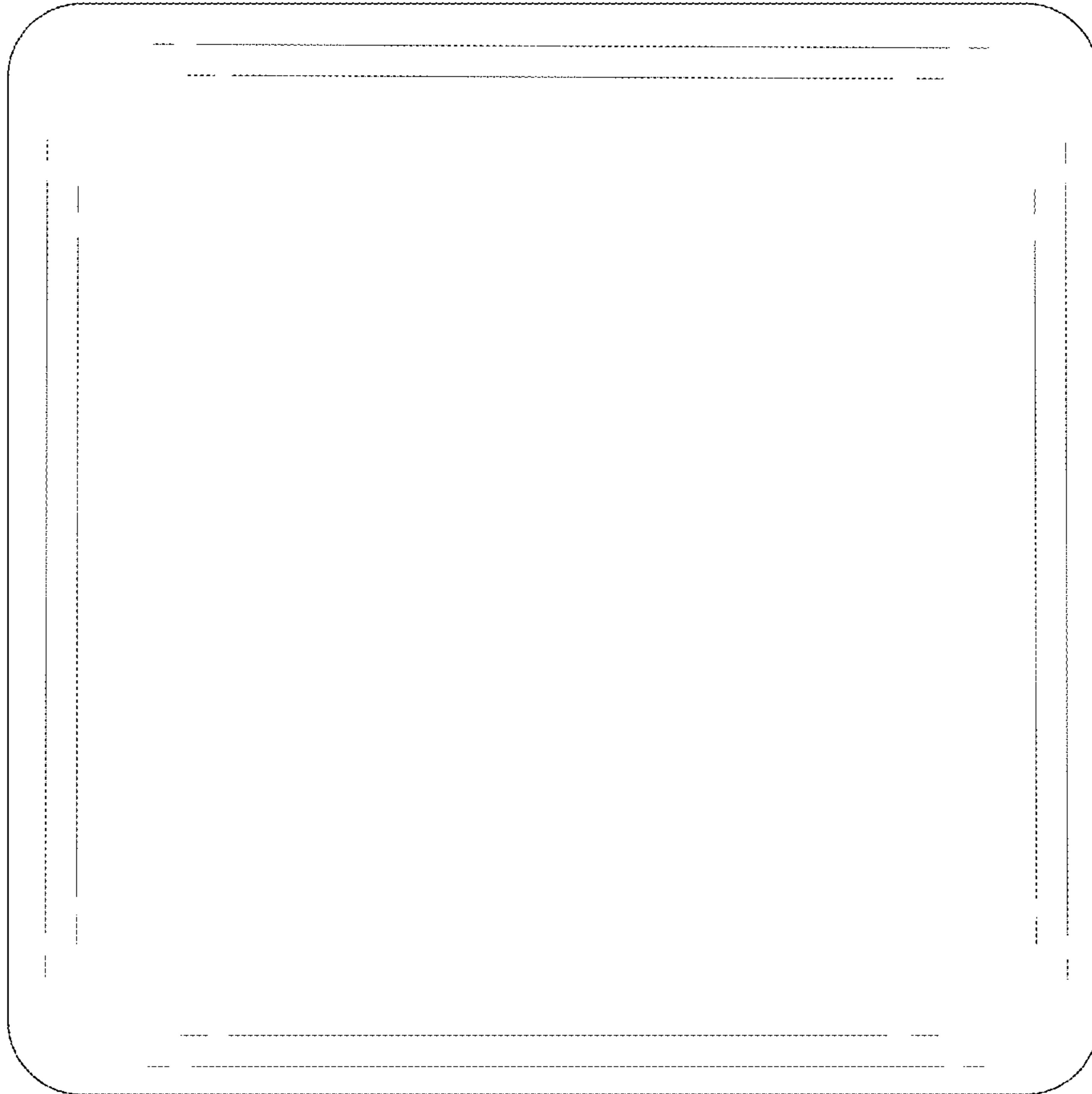


FIG. 6

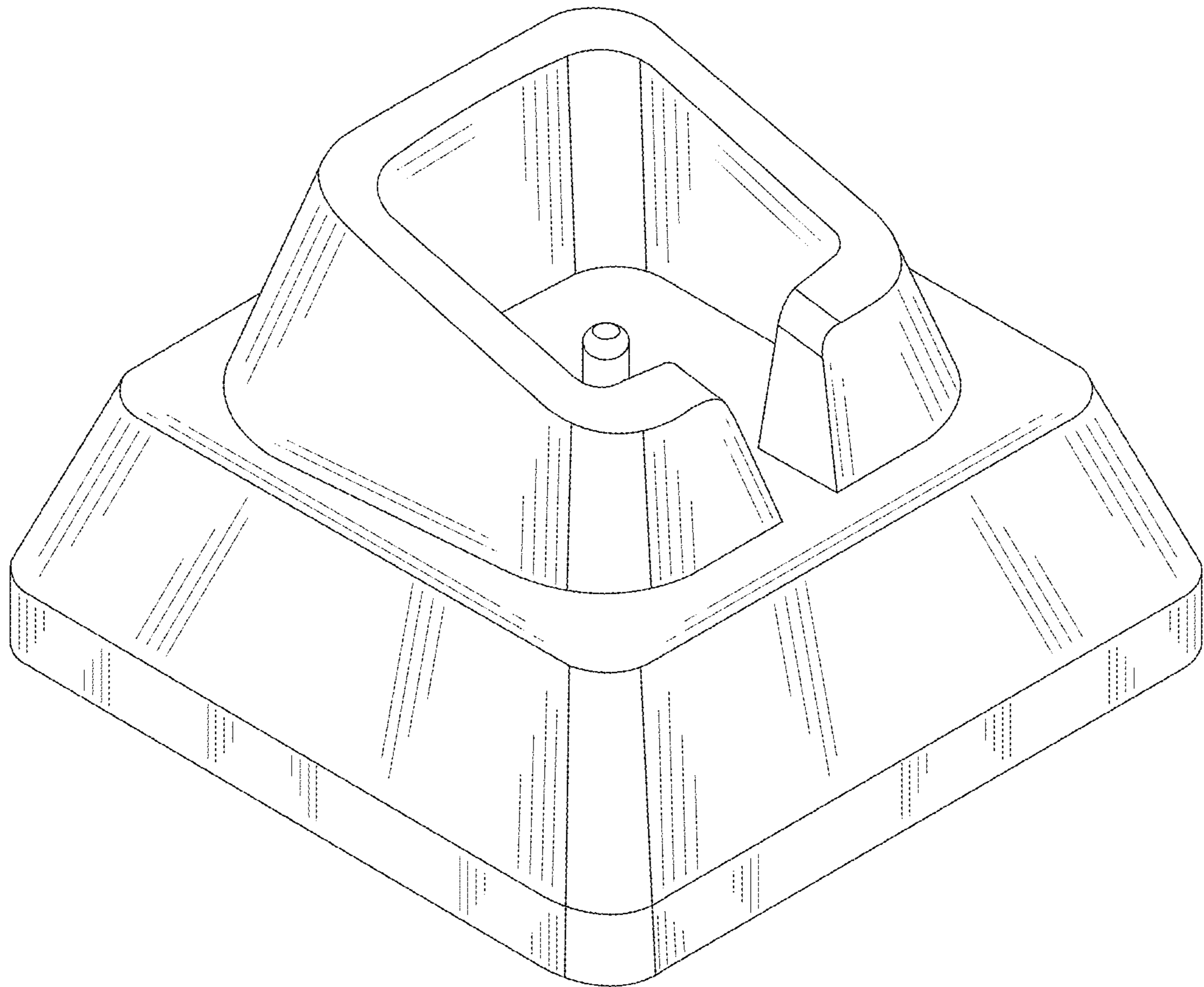


FIG. 7

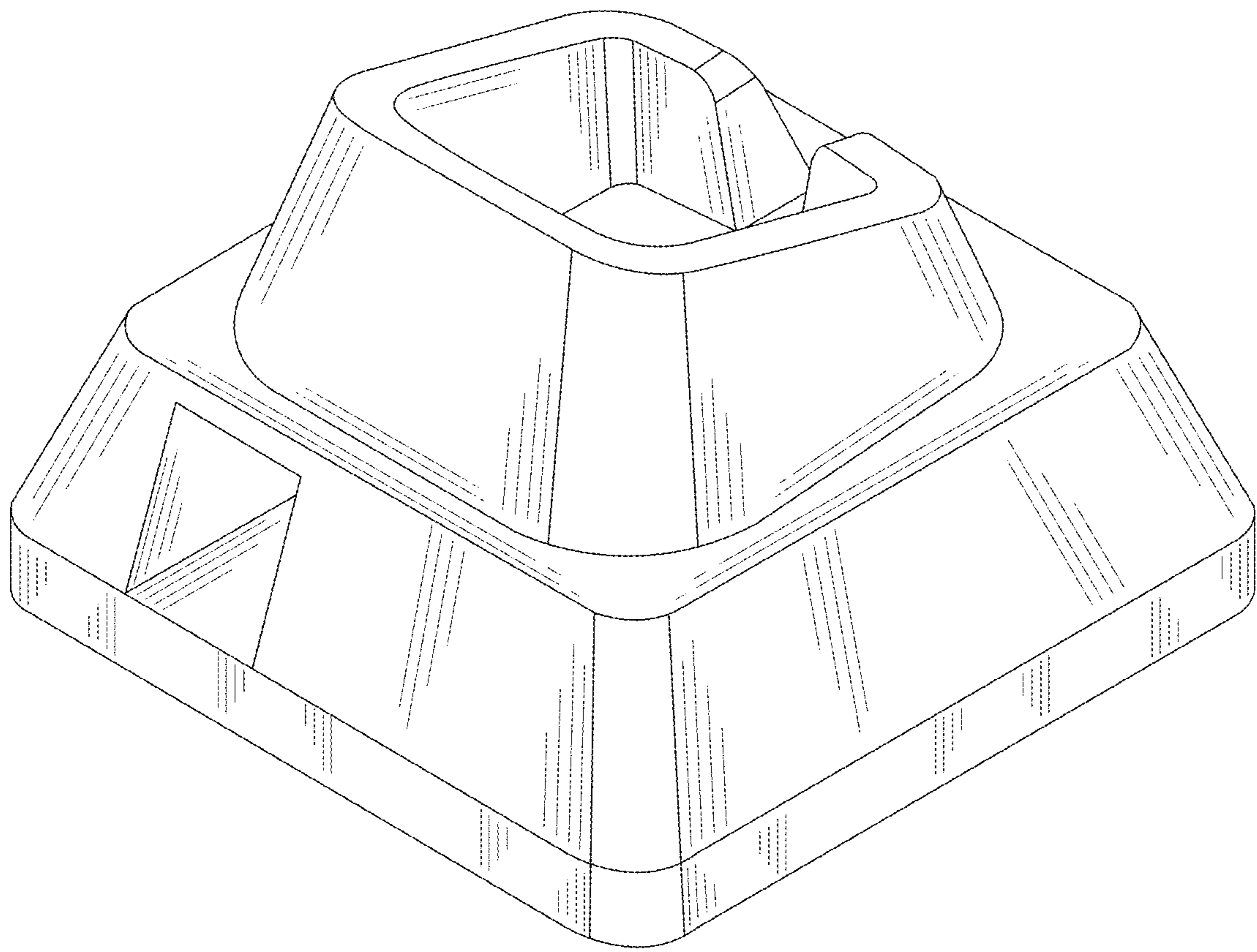


FIG. 8